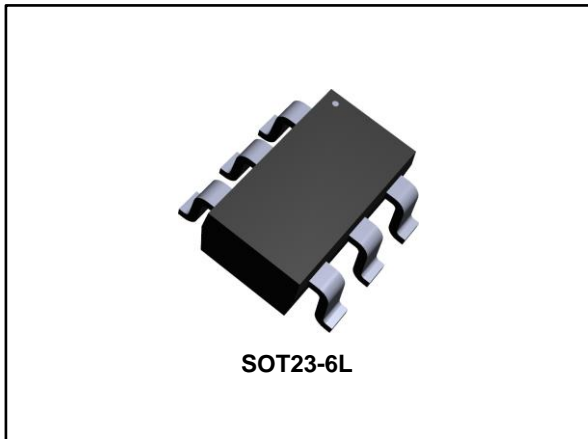


## Secondary protection for VDSL2 and G.FAST lines

Datasheet - production data



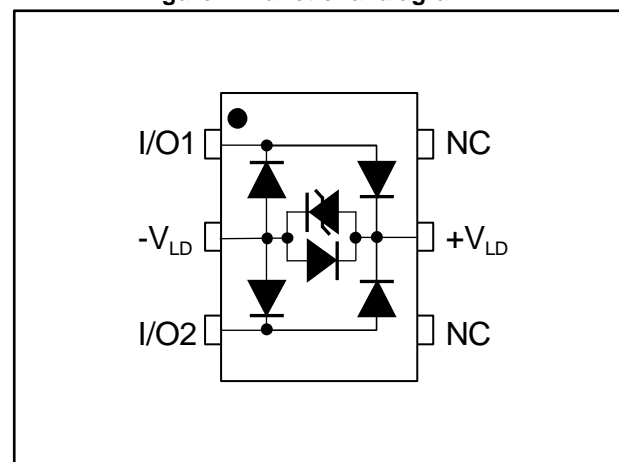
### Description

DSL05 is designed to protect DSL line drivers against surges defined in worldwide telecommunication standards. This device protects line drivers of various systems such as xDSL and G.FAST. The low capacitance makes it suitable from ADSL to G.FAST data rates.

DSL05 is able to survive severe conditions even when used with downgraded or oscillating gas tube.

This device is packaged in a SOT23-6L.

Figure 1: Functional diagram



### Features

- High surge capability to comply with GR-1089 and ITU-T K20/21/45
- Keeps peak power capability at high temperature
- Voltages: 8, 12, 16 and 24 V
- Low capacitance device:  $C_{typ} = 0.95 \text{ pF}$
- RoHS package
- Low leakage current: 50 nA at 25 °C

### Complies with the following standards

Refer to [Section 2: "Schematics"](#).

- Telcordia GR-1089
  - 2.5 kV 2/10  $\mu\text{s}$  - 500 A 2/10  $\mu\text{s}$
  - AC power fault tests
- ITU-T K20/21/45
  - 6 kV 10/700  $\mu\text{s}$  - 150 A 5/310  $\mu\text{s}$
  - power induction and contact tests
- IEC 61000-4-2, level 4
  - 15 kV (air discharge)
  - 8 kV (contact discharge)
- IEC 61000-4-5, level 2
  - 1 kV, 42  $\Omega$
- MIL STD 883G-Method 3015-7: Class 3
  - 8 kV (human body model)

Table 1: Device summary

Order code	$V_{RM}(V)$
DSL05-008SC6	8
DSL05-012SC6	12
DSL05-016SC6	16
DSL05-024SC6	24

# 1 Characteristics

**Table 2: Absolute ratings ( $T_{amb} = -40$  to  $85$  °C)**

Symbol	Parameter		Value	Unit
$I_{pp}$	Peak pulse current	8/20 $\mu$ s	30	A
dl/dt	Critical rate of on-state current rise		1000	A/ $\mu$ s
$T_{stg}$	Storage junction temperature range		-55 to +150	°C
$T_j$	Maximum operating junction temperature			
$T_L$	Maximum temperature for soldering during 10 s		260	°C

**Table 3: Electrical characteristics ( $T_{amb} = 25$  °C, pin 1 to pin 3)**

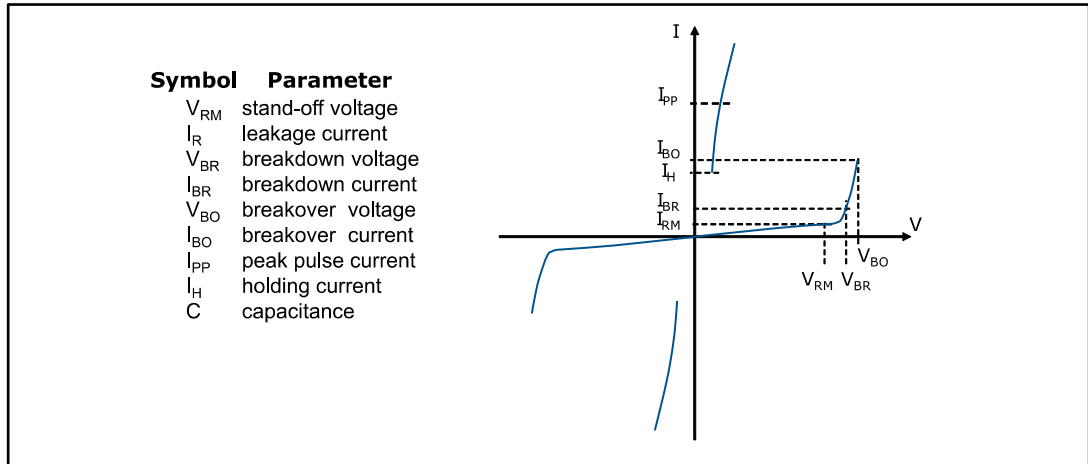
Order code	$I_{RM}$ at $V_{RM}$				$V_{BR}$ at 1 mA	$V_{BO}$	$I_H$	$C^{(1)}$	$\Delta C^{(2)}$	
	Typ.	Max.	Typ.	Max.	Min.	Max.	Typ.	Max.	Typ.	
	$T_{amb} = 85$ °C									
	nA				V	V	V	mA	pF	pF
DSL05-008SC6	0.1	50	7	100	8	9.5	15	50	1.5	0.25
DSL05-012SC6	0.1	50	7	100	12	12.8	18	10	1.5	0.25
DSL05-016SC6	0.1	50	7	100	16	18	25	30	1.5	0.25
DSL05-024SC6	0.1	50	7	100	24	25.5	31	50	1.5	0.25

**Notes:**

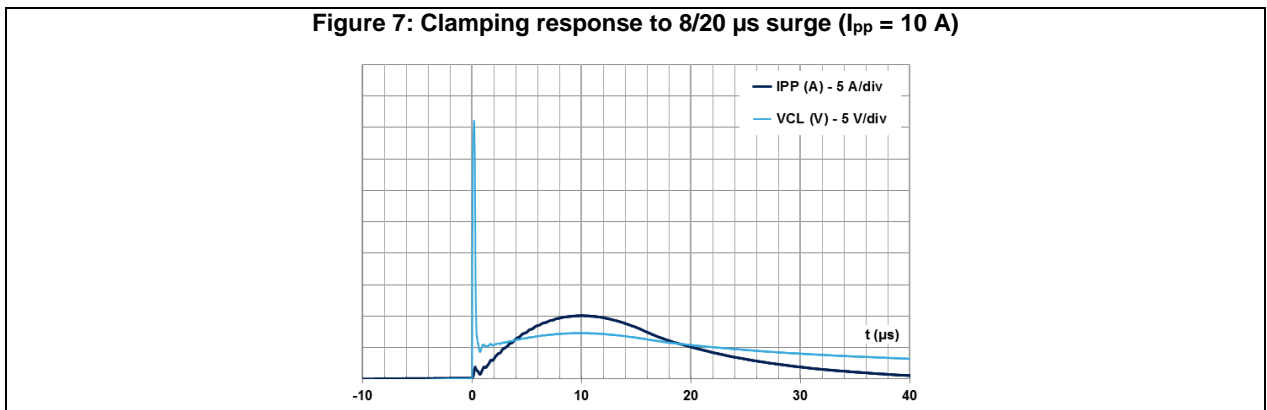
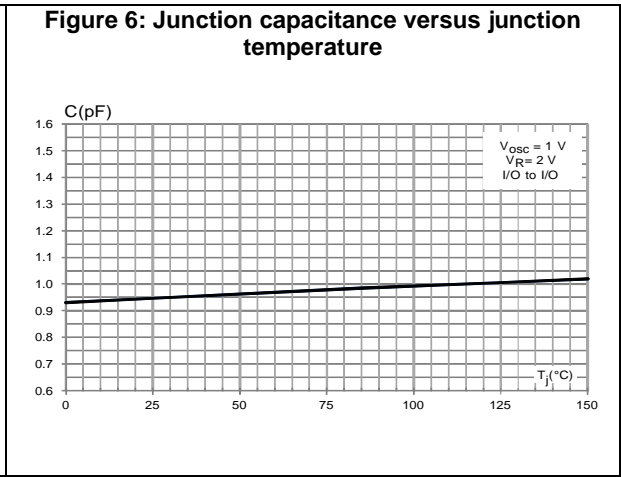
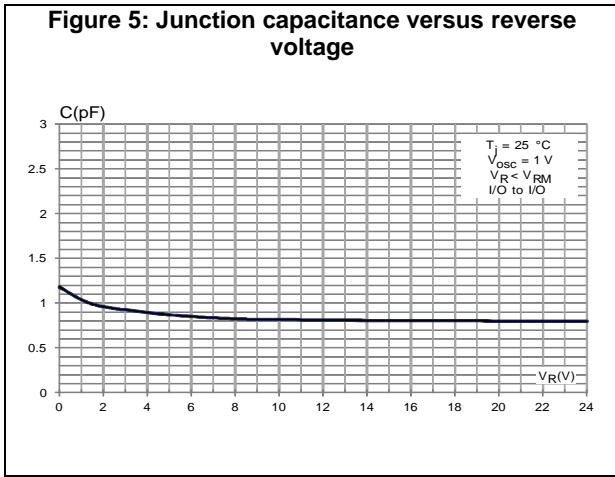
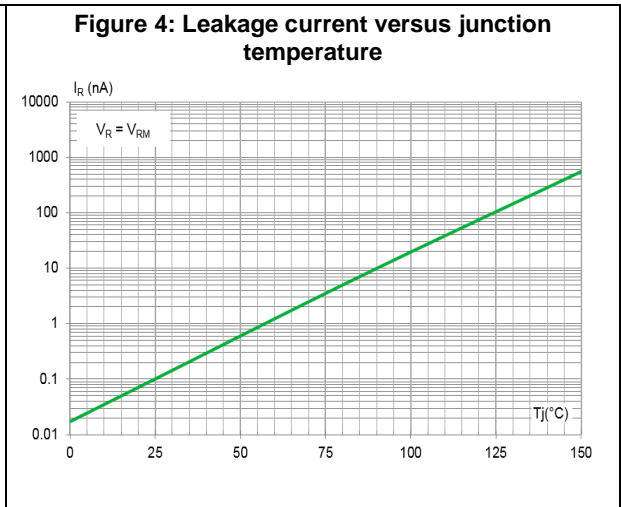
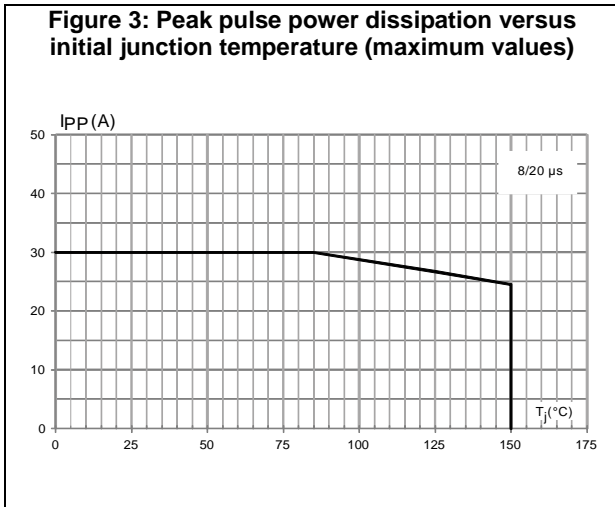
(1) Test conditions:  $V_R = 2$  V bias,  $V_{RMS} = 1$  V,  $f = 1$  MHz

(2) Measured between 1 V and  $V_{RM}$

**Figure 2: Electrical characteristics definitions**



### 1.1 Characteristics (curves)



## 2 Schematics

Figure 8: xDSL and G.FAST schematic for CPE applications

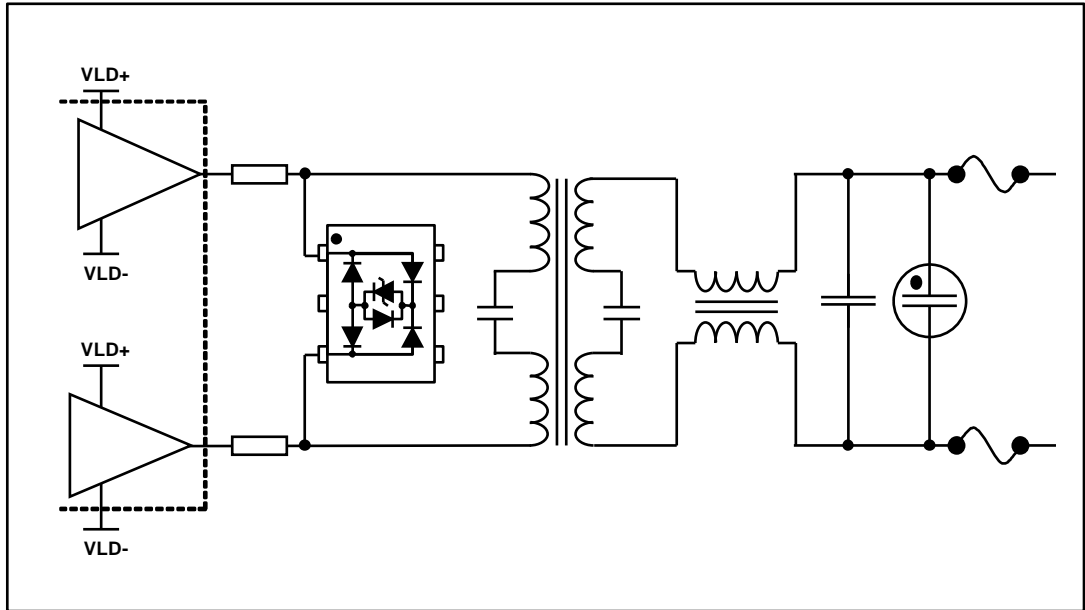
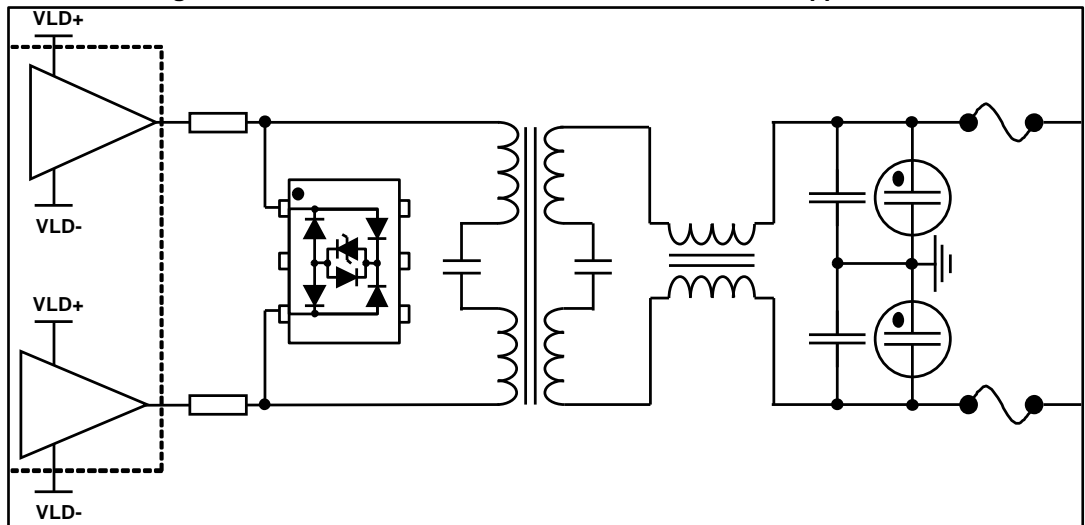


Figure 9: xDSL and G.FAST schematic for infrastructure applications



On topologies given in [Figure 8: "xDSL and G.FAST schematic for CPE applications"](#) and [Figure 9: "xDSL and G.FAST schematic for infrastructure applications"](#), +VLD and -VLD may not be connected.

### 3 Package information

In order to meet environmental requirements, ST offers these devices in different grades of ECOPACK® packages, depending on their level of environmental compliance. ECOPACK® specifications, grade definitions and product status are available at: [www.st.com](http://www.st.com). ECOPACK® is an ST trademark.

- Epoxy meets UL 94,V0
- Lead-free package

#### 3.1 SOT23-6L package information

Figure 10: SOT23-6L package outline

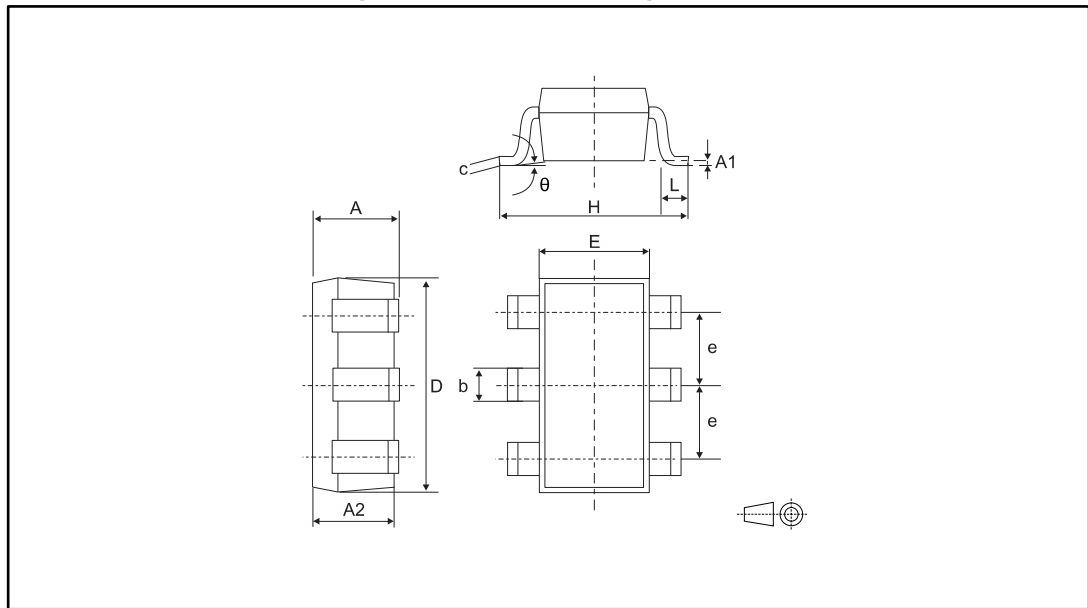
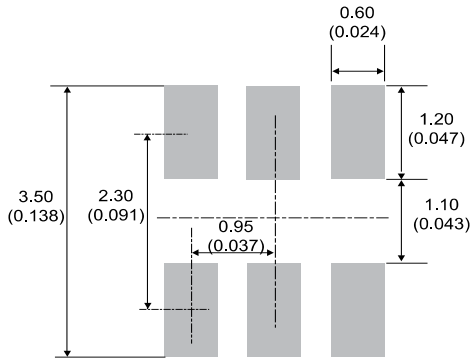


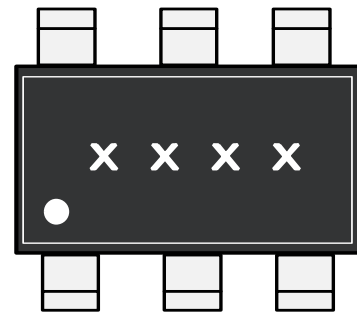
Table 4: SOT23-6L package mechanical data

Ref.	Dimensions					
	Millimeters			Inches		
	Min.	Typ.	Max.	Min.	Typ.	Max.
A	0.9		1.45	0.0354		0.0571
A1	0		0.15	0		0.0059
A2	0.9		1.3	0.0354		0.0512
b	0.30		0.5	0.0118		0.0197
c	0.09		0.2	0.0035		0.0079
D	2.8		3.05	0.1102		0.1201
E	1.5		1.75	0.0591		0.0689
e		0.95			0.0374	
H	2.6		3	0.1024		0.1181
L	0.3		0.6	0.0118		0.0236
$\theta$	0		10	0		0.3937

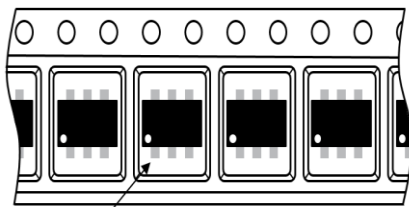
**Figure 11: Footprint recommendations, dimensions in mm (inches)**



**Figure 12: Marking layout (refer to ordering information table for marking)**



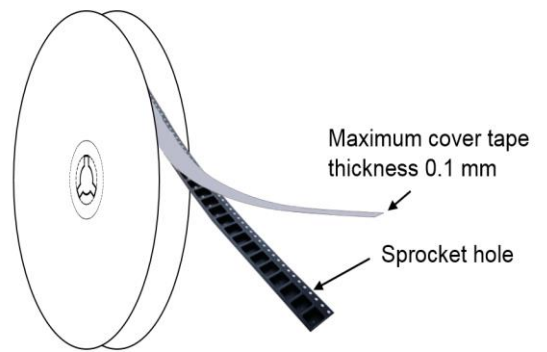
**Figure 13: Package orientation in reel**



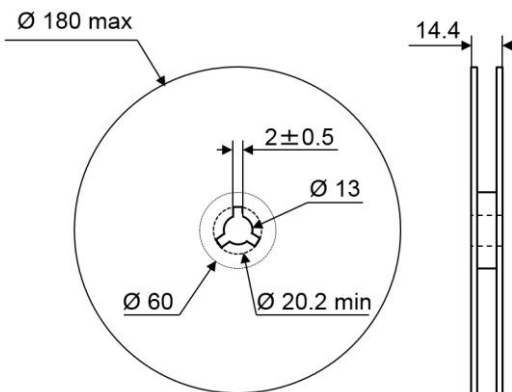
Pin 1 located according to EIA-481

Note: Pocket dimensions are not on scale  
Pocket shape may vary depending on package

**Figure 14: Tape and reel orientation**



**Figure 15: Reel dimensions (mm)**



**Figure 16: Inner box dimensions (mm)**

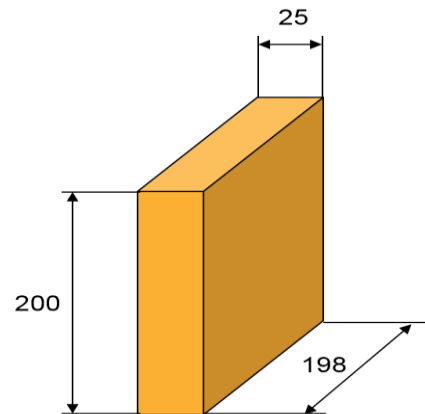


Figure 17: Tape and reel outline

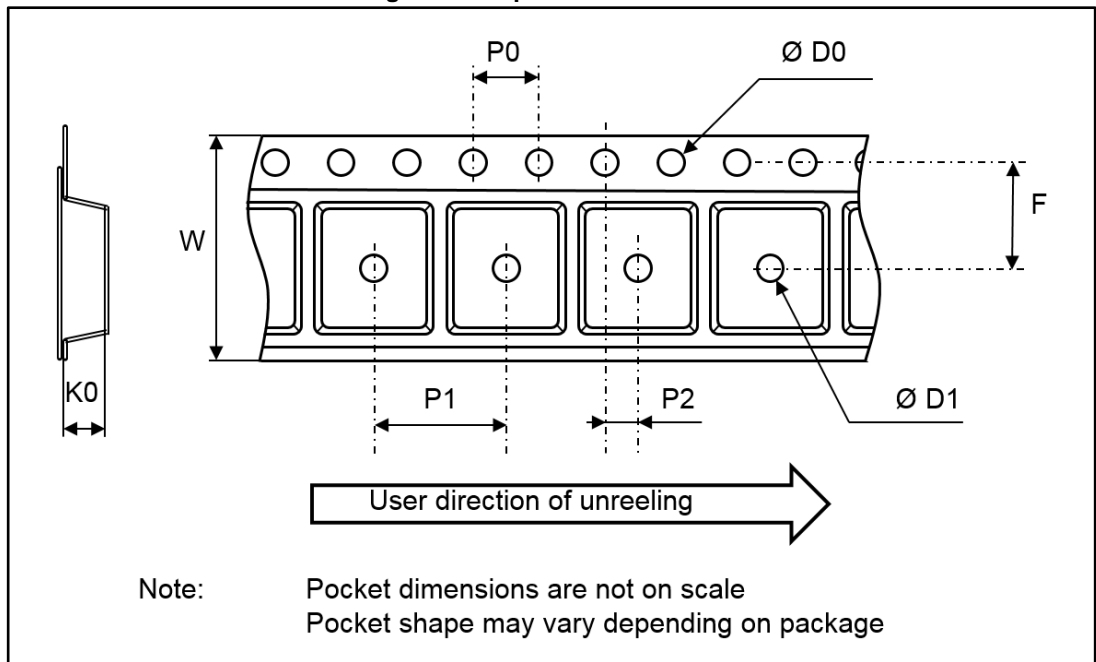
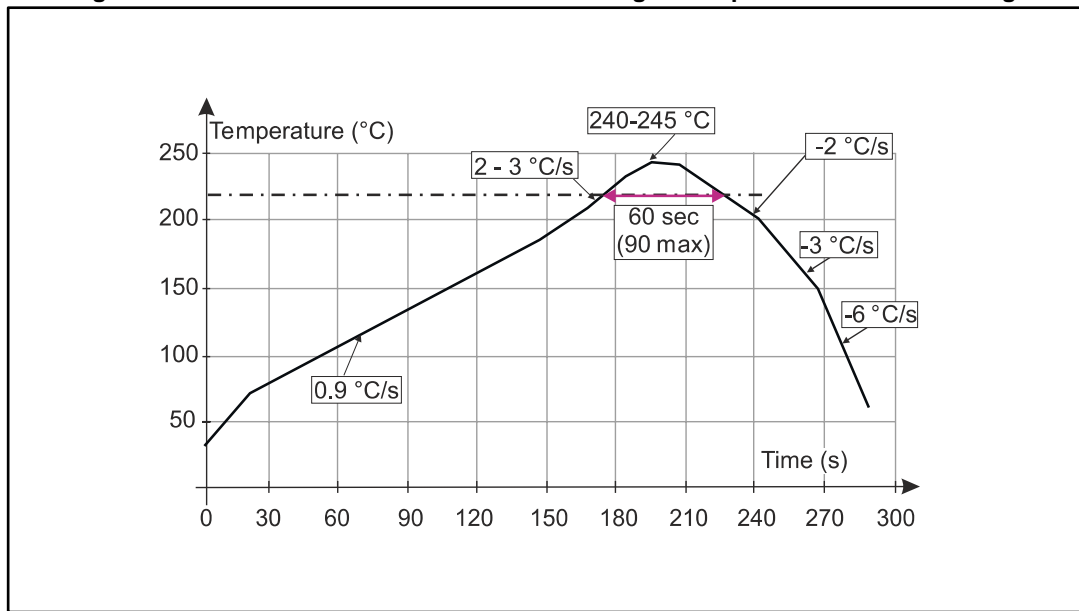


Table 5: Tape and reel mechanical data

Ref.	Dimensions		
	Millimeters		
	Min.	Typ.	Max.
P1	3.9	4	4.1
P0	3.9	4	4.1
D0	1.45	1.5	1.6
D1	1		
F	3.45	3.5	3.55
K0	1.3	1.4	1.6
P2	1.95	2	2.05
W	7.9	8	8.3

Figure 18: ST ECOPACK® recommended soldering reflow profile for PCB mounting



Minimize air convection currents in the reflow oven to avoid component movement. Maximum soldering profile corresponds to the latest IPC/JEDEC J-STD-020.



## 4 Ordering information

Figure 19: Ordering information scheme

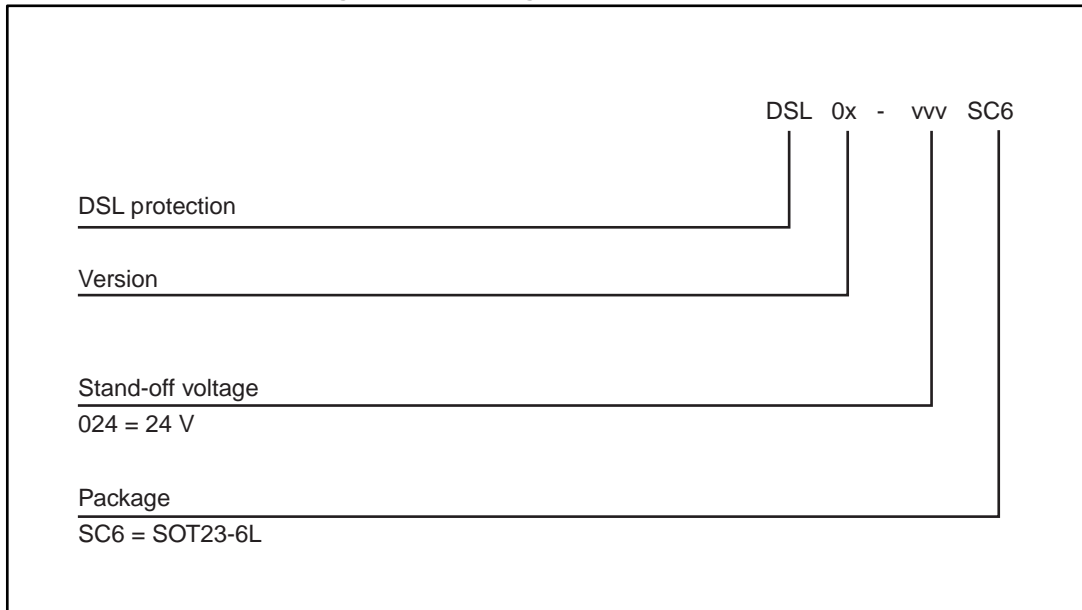


Table 6: Ordering information

Order code	Marking	Package	Weight	Base qty.	Delivery mode
DSL05-008SC6	D508	SOT23-6L	14 g	3000	Tape and reel
DSL05-012SC6	D512				
DSL05-016SC6	D516				
DSL05-024SC6	D524				

## 5 Revision history

Table 7: Document revision history

Date	Revision	Changes
05-Jul-2016	1	Initial release.
03-Oct-2016	2	Updated Table 3: "Electrical characteristics (Tamb = 25 °C, pin 1 to pin 3)".
22-Aug-2017	3	Added RPN DSL05-016SC6. Updated <a href="#">Table 3: "Electrical characteristics (Tamb = 25 °C, pin 1 to pin 3)"</a> and <a href="#">Figure 4: "Leakage current versus junction temperature"</a> .

**IMPORTANT NOTICE – PLEASE READ CAREFULLY**

STMicroelectronics NV and its subsidiaries ("ST") reserve the right to make changes, corrections, enhancements, modifications, and improvements to ST products and/or to this document at any time without notice. Purchasers should obtain the latest relevant information on ST products before placing orders. ST products are sold pursuant to ST's terms and conditions of sale in place at the time of order acknowledgement.

Purchasers are solely responsible for the choice, selection, and use of ST products and ST assumes no liability for application assistance or the design of Purchasers' products.

No license, express or implied, to any intellectual property right is granted by ST herein.

Resale of ST products with provisions different from the information set forth herein shall void any warranty granted by ST for such product.

ST and the ST logo are trademarks of ST. All other product or service names are the property of their respective owners.

Information in this document supersedes and replaces information previously supplied in any prior versions of this document.

© 2017 STMicroelectronics – All rights reserved

## X-ON Electronics

Largest Supplier of Electrical and Electronic Components

*Click to view similar products for [Surge Suppressors](#) category:*

*Click to view products by [STMicroelectronics](#) manufacturer:*

Other Similar products are found below :

[GUS1](#) [GUS12](#) [BSPM1A600D600LVR](#) [2800521](#) [29-2053](#) [GUS11](#) [GUS2](#) [GUS3](#) [GUS4](#) [30460](#) [SRA64C060X](#) [PC642C015](#) [1810-15-A3](#)  
[2713175](#) [4B06B-EC1-150LF](#) [SRA6LC](#) [BPMA75D100LV](#) [CX06M](#) [CCTV1](#) [GUS13](#) [GUS14](#) [GUS5](#) [GUS6](#) [VAL-MS 320/3+0-FM](#) [VAL-US-](#)  
[120/40/1+1-FM](#) [VAL-US-120/65/1+1-FM](#) [VAL-US-480D/30/3+0-FM](#) [VAL-US-120/40/1+0-FM](#) [STCHSP121BT1RU](#) [LP-BFDN-CW](#) [LP-](#)  
[STRL-NFF](#) [LP-STRL-DFE](#) [GUS22](#) [0804111](#) [5053609](#) [5053201](#) [SPD2-150-1P0](#) [SPD2-550-1P0](#) [6720005416](#) [6720005417](#) [1-2191595-2](#)  
[STC-CAT6-P0E-I](#) [SPD2-350-1P0](#) [FLT-CP-350-ST](#) [TTC-6P-3-HF-F-M-12DC-UT-I](#) [SMTPA200](#) [2800989](#) [2906776](#) [2906810](#) [2906847](#)