

## Demonstration board mounting the L6229Q dual full-bridge driver

Data brief

### Features

- Operating supply voltage from 8 to 52 V
- 2.8 A output peak current (1.4 A<sub>r.m.s.</sub>)
- R<sub>DS(on)</sub> 0.73 Ω typ. value @ T<sub>J</sub> = 25 °C
- Operating frequency up to 100 kHz
- Non-dissipative overcurrent detection and protection
- Diagnostic output
- Constant t<sub>OFF</sub> PWM current controller
- Slow decay synchronous rectification
- 60° and 120° hall effect decoding logic
- Brake function
- Cross conduction protection
- Thermal shutdown
- Undervoltage lockout
- Integrated fast free wheeling diodes



### Description

The L6229Q is a DMOS fully integrated three-phase motor driver with overcurrent protection, realized in BCD multipower technology.

The device includes all the circuitry needed to drive a three-phase BLDC motor including: a three-phase DMOS bridge, a constant off-time PWM current controller and the decoding logic for single ended hall sensors that generates the required sequence for the power stage.

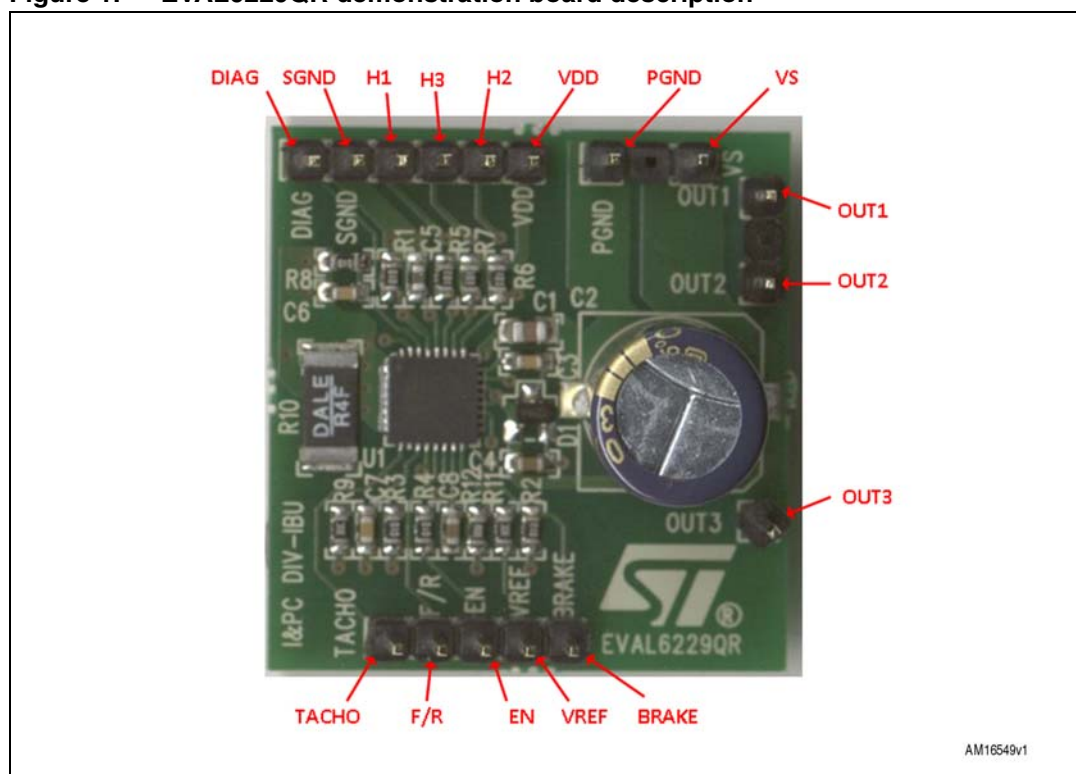
The L6229Q features a non-dissipative overcurrent protection on the high-side power MOSFETs and thermal shutdown.

# 1 Board description

**Table 1. Electrical specifications (recommended values)**

Parameter	Value
Supply voltage range (VS)	8 to 52 V
Output current rating (OUTx)	up to 1.4 A <sub>r.m.s.</sub>
Switching frequency	up to 100 kHz
Voltage reference range (VREF)	0 to + 5 V
Input and enable voltage range	0 to + 5 V
L6229Q thermal resistance junction-to-ambient	42 °C/W

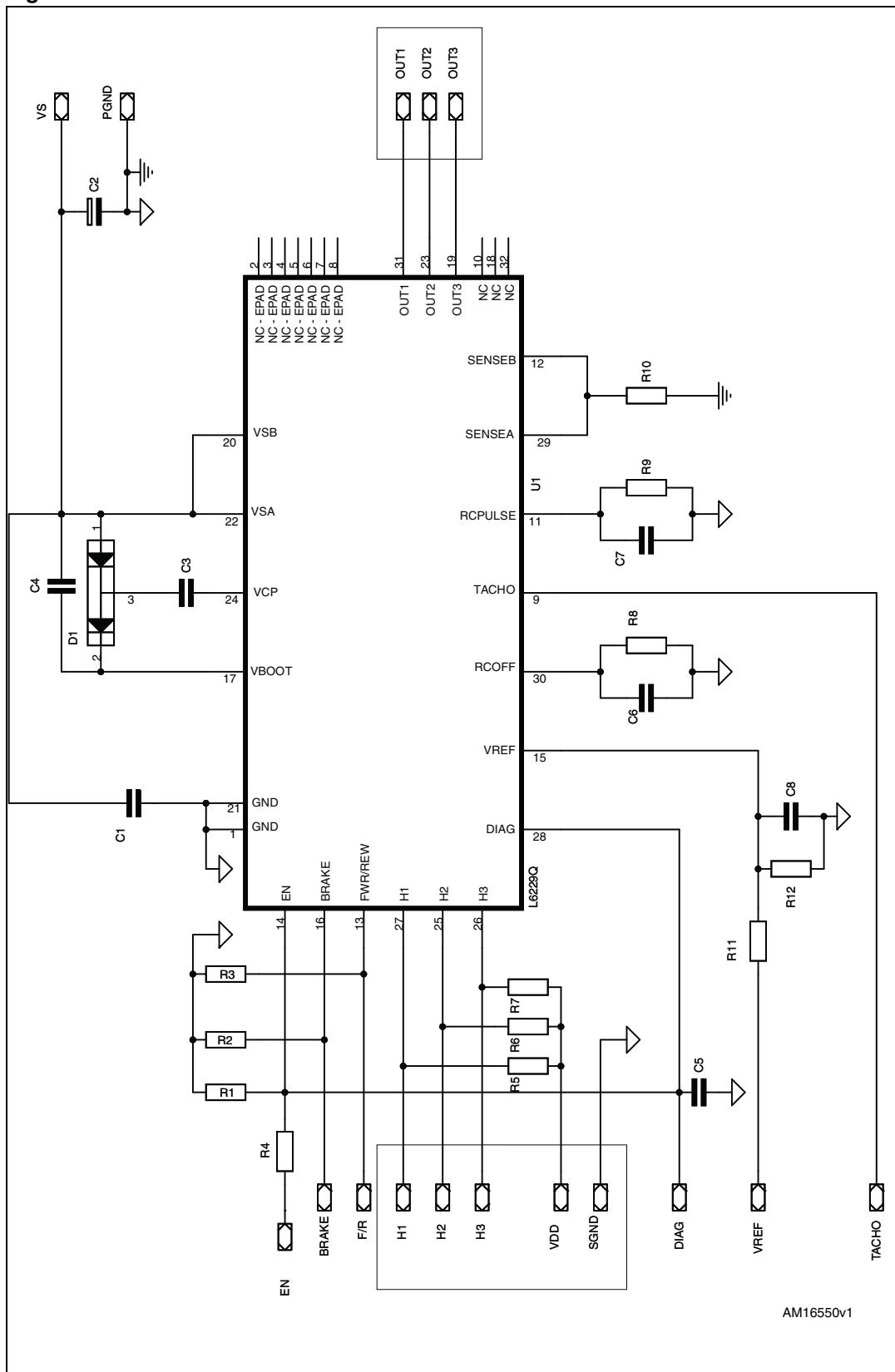
**Figure 1. EVAL6229QR demonstration board description**



**Table 2. EVAL6229QR pin description**

Name	Type	Function
VS	Power supply	Half-bridge power supply voltage
PGND	Ground	Power ground terminal
VDD	Power supply	Hall effect sensors pull-up voltage
H1	Sensor input	Single ended hall effect sensor input 1
H2	Sensor input	Single ended hall effect sensor input 2
H3	Sensor input	Single ended hall effect sensor input 3
SGND	Ground	Signal ground terminal
DIAG	Open-drain output	Diagnostic pin. When 'low' signals an overcurrent or overtemperature event.
TACHO	Open-drain output	Frequency-to-voltage open drain output. Every pulse from H1 pin is shaped as a fixed and adjustable length pulse.
F/R	Logic input	Selects the direction of the rotation ('H' = CW; 'L' = CCW).
EN	Logic input/output	Chip enable (active 'high'). When 'low' switches OFF all power MOSFETs of three half-bridges.
VREF	Analog input	Current controller reference voltage
BRAKE	Logic input	Brake input pin. When 'low' switches ON all high-side power MOSFETs implementing the brake function.
OUT1	Power output	Output phase 1
OUT2	Power output	Output phase 2
OUT3	Power output	Output phase 3

Figure 2. EVAL6229QR schematic



**Table 3. EVAL6229QR component list**

Part reference	Part value	Part description
C1	220nF/100V	Capacitor
C2	100µF/63V	Capacitor
C3	10nF/25V	Capacitor
C4, C8	220nF/25V	Capacitor
C5	5.6nF	Capacitor
C6	820pF	Capacitor
C7	10nF	Resistor
D1	BAT46SW	Diodes
R1, R2, R3, R4	100kΩ 5% 0.25W	Resistor
R5, R6, R7	10kΩ 5% 0.25W	Resistor
R8	100kΩ 1% 0.25W	Resistor
R9	20kΩ 1% 0.25W	Resistor
R10	0.4Ω 1W	Resistor
R11	20kΩ 5% 0.25W	Resistor
R12	2kΩ 5% 0.25W	Resistor
U1	L6229Q	3-phase BLDC motor driver in VFQFPN5x5

**Figure 3. EVAL6229QR component placement**

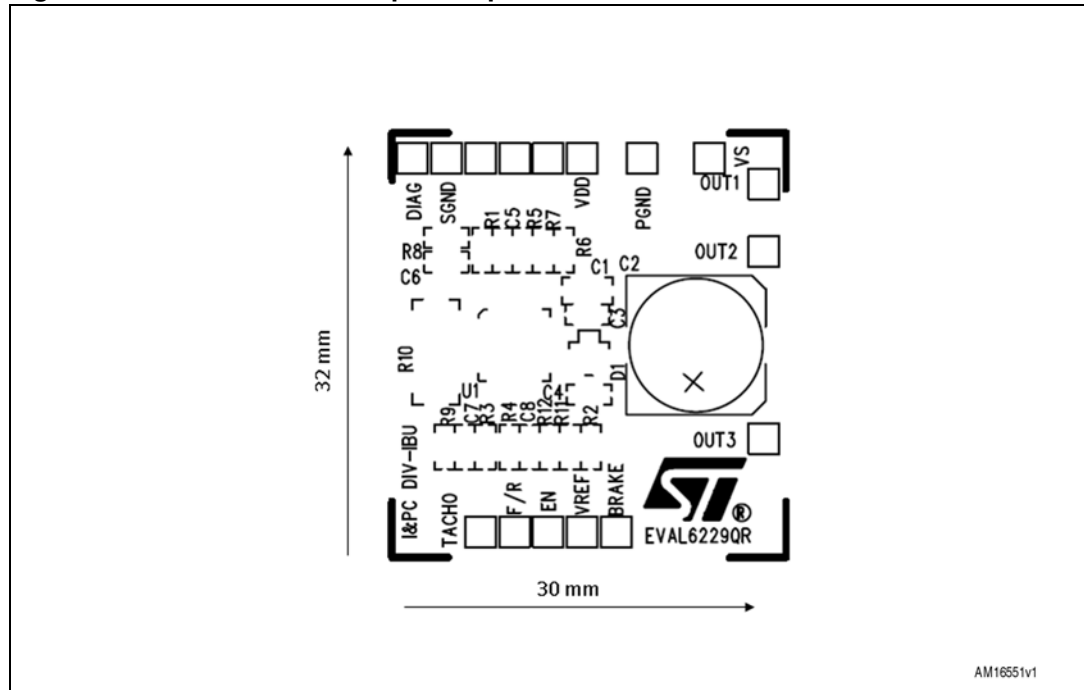


Figure 4. EVAL6229QR top layer layout

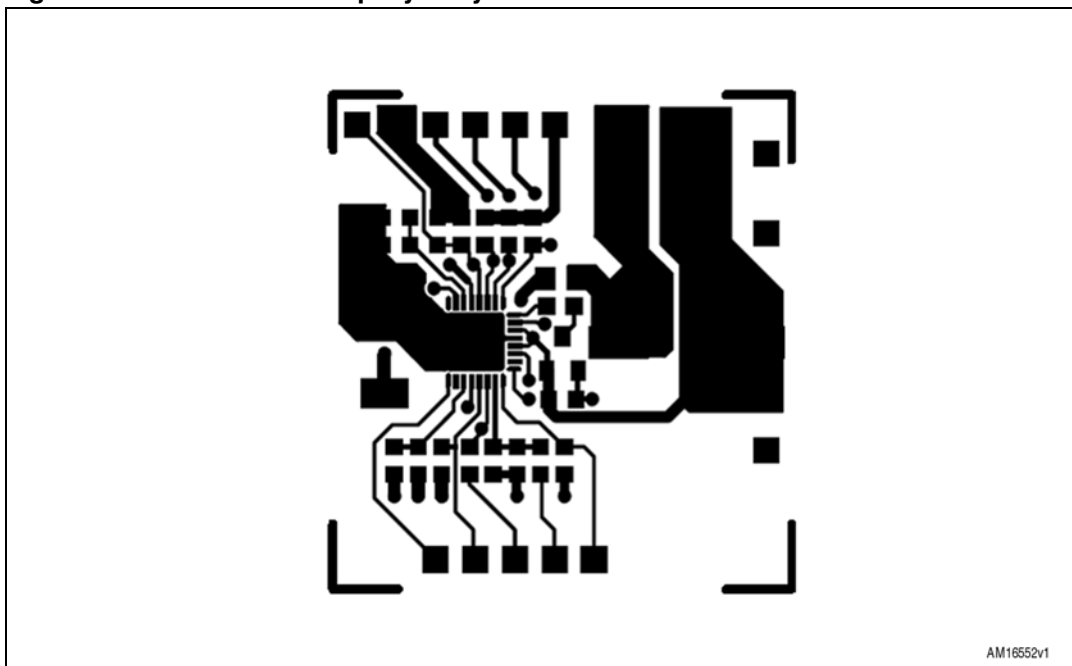
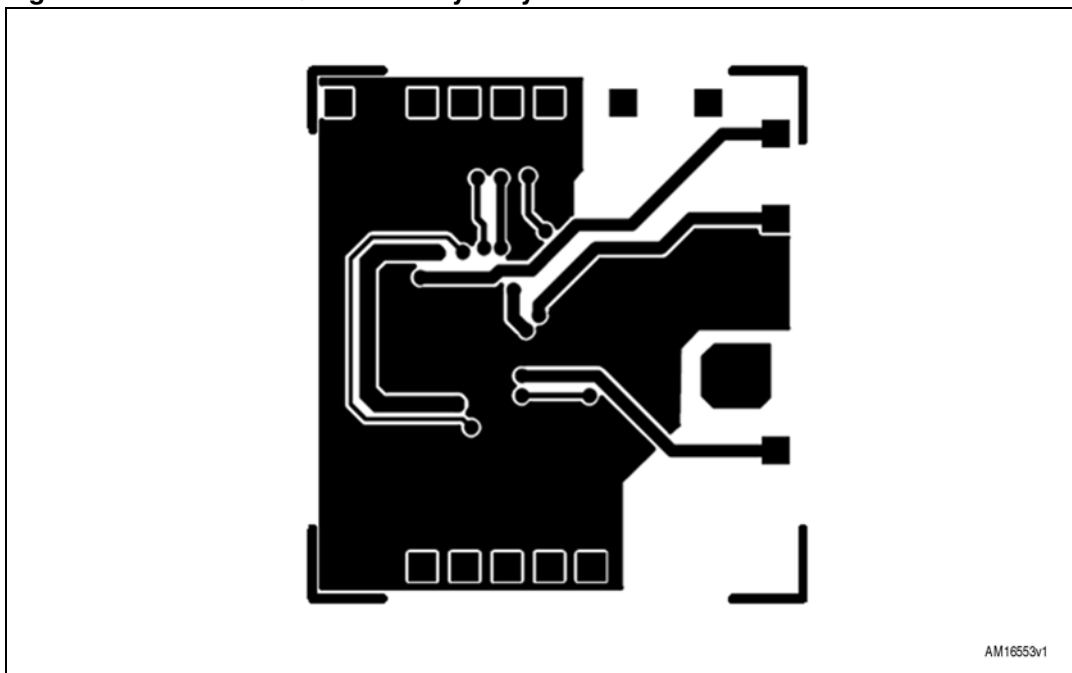


Figure 5. EVAL6229QR bottom layer layout



## 2 Revision history

**Table 4. Document revision history**

Date	Revision	Changes
10-Jan-2013	1	Initial release.

**Please Read Carefully:**

Information in this document is provided solely in connection with ST products. STMicroelectronics NV and its subsidiaries ("ST") reserve the right to make changes, corrections, modifications or improvements, to this document, and the products and services described herein at any time, without notice.

All ST products are sold pursuant to ST's terms and conditions of sale.

Purchasers are solely responsible for the choice, selection and use of the ST products and services described herein, and ST assumes no liability whatsoever relating to the choice, selection or use of the ST products and services described herein.

No license, express or implied, by estoppel or otherwise, to any intellectual property rights is granted under this document. If any part of this document refers to any third party products or services it shall not be deemed a license grant by ST for the use of such third party products or services, or any intellectual property contained therein or considered as a warranty covering the use in any manner whatsoever of such third party products or services or any intellectual property contained therein.

**UNLESS OTHERWISE SET FORTH IN ST'S TERMS AND CONDITIONS OF SALE ST DISCLAIMS ANY EXPRESS OR IMPLIED WARRANTY WITH RESPECT TO THE USE AND/OR SALE OF ST PRODUCTS INCLUDING WITHOUT LIMITATION IMPLIED WARRANTIES OF MERCHANTABILITY, FITNESS FOR A PARTICULAR PURPOSE (AND THEIR EQUIVALENTS UNDER THE LAWS OF ANY JURISDICTION), OR INFRINGEMENT OF ANY PATENT, COPYRIGHT OR OTHER INTELLECTUAL PROPERTY RIGHT.**

**UNLESS EXPRESSLY APPROVED IN WRITING BY TWO AUTHORIZED ST REPRESENTATIVES, ST PRODUCTS ARE NOT RECOMMENDED, AUTHORIZED OR WARRANTED FOR USE IN MILITARY, AIR CRAFT, SPACE, LIFE SAVING, OR LIFE SUSTAINING APPLICATIONS, NOR IN PRODUCTS OR SYSTEMS WHERE FAILURE OR MALFUNCTION MAY RESULT IN PERSONAL INJURY, DEATH, OR SEVERE PROPERTY OR ENVIRONMENTAL DAMAGE. ST PRODUCTS WHICH ARE NOT SPECIFIED AS "AUTOMOTIVE GRADE" MAY ONLY BE USED IN AUTOMOTIVE APPLICATIONS AT USER'S OWN RISK.**

Resale of ST products with provisions different from the statements and/or technical features set forth in this document shall immediately void any warranty granted by ST for the ST product or service described herein and shall not create or extend in any manner whatsoever, any liability of ST.

ST and the ST logo are trademarks or registered trademarks of ST in various countries.

Information in this document supersedes and replaces all information previously supplied.

The ST logo is a registered trademark of STMicroelectronics. All other names are the property of their respective owners.

© 2013 STMicroelectronics - All rights reserved

STMicroelectronics group of companies

Australia - Belgium - Brazil - Canada - China - Czech Republic - Finland - France - Germany - Hong Kong - India - Israel - Italy - Japan - Malaysia - Malta - Morocco - Philippines - Singapore - Spain - Sweden - Switzerland - United Kingdom - United States of America

[www.st.com](http://www.st.com)



## X-ON Electronics

Largest Supplier of Electrical and Electronic Components

*Click to view similar products for [Power Management IC Development Tools](#) category:*

*Click to view products by [STMicroelectronics](#) manufacturer:*

Other Similar products are found below :

[EVAL6482H-DISC](#) [EVAL-AD5522EBUZ](#) [EVAL-ADM1060EBZ](#) [EVAL-ADM1073MEBZ](#) [EVAL-ADM1166TQEBZ](#) [EVAL-ADM1168LQEBZ](#) [EVAL-ADM1171EBZ](#) [EVAL-ADM1276EBZ](#) [EVB-EN5319QI](#) [EVB-EN5365QI](#) [EVB-EN6347QI](#) [EVB-EP5348UI](#) [MIC23158YML EV](#) [MIC23451-AAAYFL EV](#) [MIC5281YMME EV](#) [124352-HMC860LP3E](#) [ADM00513](#) [ADM8611-EVALZ](#) [ADM8612-EVALZ](#) [ADM8613-EVALZ](#) [ADP1046ADC1-EVALZ](#) [ADP1055-EVALZ](#) [ADP122-3.3-EVALZ](#) [ADP130-0.8-EVALZ](#) [ADP130-1.2-EVALZ](#) [ADP130-1.5-EVALZ](#) [ADP130-1.8-EVALZ](#) [ADP160UJZ-REDYKIT](#) [ADP166UJ-EVALZ](#) [ADP1712-3.3-EVALZ](#) [ADP1714-3.3-EVALZ](#) [ADP1715-3.3-EVALZ](#) [ADP1716-2.5-EVALZ](#) [ADP1740-1.5-EVALZ](#) [ADP1752-1.5-EVALZ](#) [ADP1754-1.5-EVALZ](#) [ADP1828LC-EVALZ](#) [ADP1870-0.3-EVALZ](#) [ADP1871-0.6-EVALZ](#) [ADP1873-0.6-EVALZ](#) [ADP1874-0.3-EVALZ](#) [ADP1876-EVALZ](#) [ADP1879-1.0-EVALZ](#) [ADP1882-1.0-EVALZ](#) [ADP1883-0.6-EVALZ](#) [ADP197CB-EVALZ](#) [ADP199CB-EVALZ](#) [ADP2102-1.25-EVALZ](#) [ADP2102-1.2-EVALZ](#) [ADP2102-1.875EVALZ](#)