



EVALKITST7570-1

ST7570 S-FSK power line networking system-on-chip demonstration kit

Features

- Based on the ST7570 narrow-band S-FSK power line networking system-on-chip
- Suitable for point to multi-point two-way communication over AC mains
- Embedded turn-key IEC61334-5-1 compliant PHY, MAC and MIB communication layers
- Multiple configurable operating modes: Client, Server, Sniffer and Test
- Flexible architecture with transceiver (EVALST7570-1) and power supply boards
- Equipped with 110 - 240 VAC, 2 A power supply board based on the ALTAIR4-900
- USB 2.0 connection to PC
- Intuitive graphical user interface (GUI) for the Windows® environment with fully programmable transceiver parameters
- Suitable for CENELEC EN50065 and FCC part 15 compliant applications



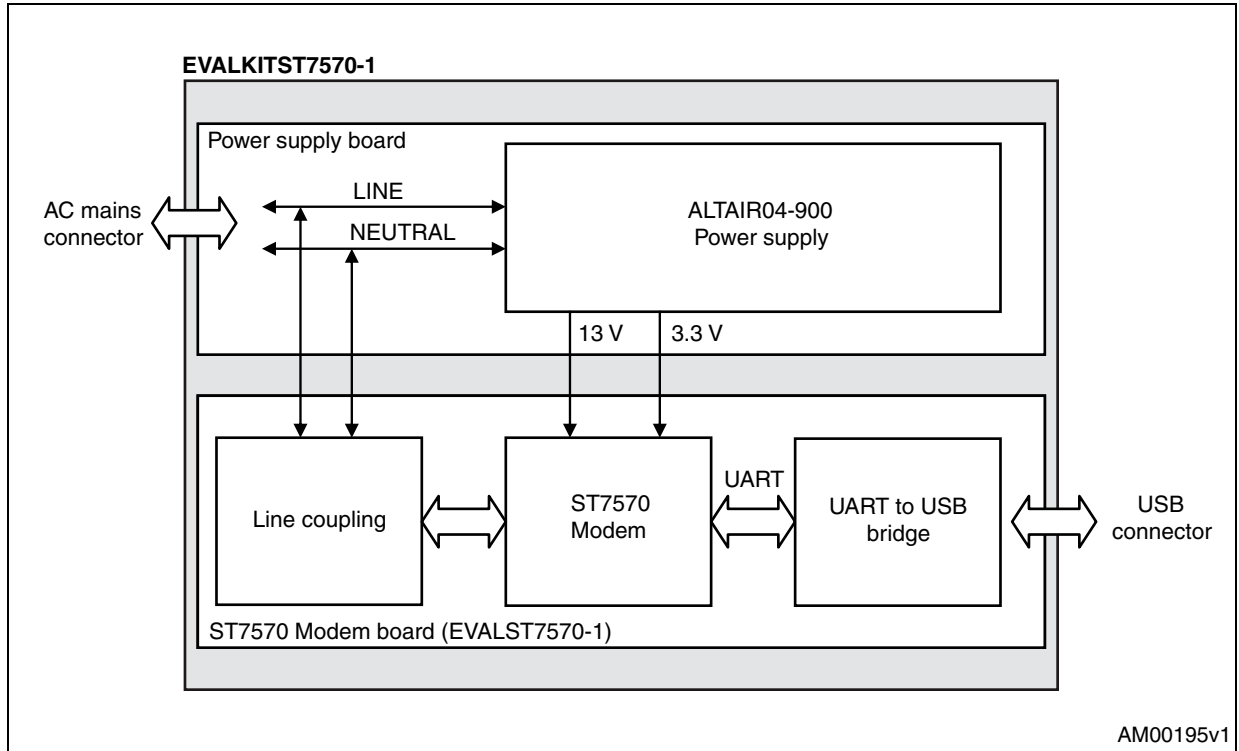
Description

Based on the ST7570 power line networking system-on-chip, this demonstration kit embeds all the functions required for a “turn-key” power line communication network: the ST7570 modem board, the AC power supply (based on the ALTAIR4-900 chip) and the USB port to connect the kit to a PC.

The typical application environment consists of two or more EVALKITST7570-1 kits connected to an AC mains, with each kit being controlled by a PC running the ST7570 GUI software.

1 Block diagram

Figure 1. EVALKITST7570-1 functional block diagram



2 Revision history

Table 1. Document revision history

Date	Revision	Changes
19-Jan-2011	1	Initial release.

Please Read Carefully:

Information in this document is provided solely in connection with ST products. STMicroelectronics NV and its subsidiaries ("ST") reserve the right to make changes, corrections, modifications or improvements, to this document, and the products and services described herein at any time, without notice.

All ST products are sold pursuant to ST's terms and conditions of sale.

Purchasers are solely responsible for the choice, selection and use of the ST products and services described herein, and ST assumes no liability whatsoever relating to the choice, selection or use of the ST products and services described herein.

No license, express or implied, by estoppel or otherwise, to any intellectual property rights is granted under this document. If any part of this document refers to any third party products or services it shall not be deemed a license grant by ST for the use of such third party products or services, or any intellectual property contained therein or considered as a warranty covering the use in any manner whatsoever of such third party products or services or any intellectual property contained therein.

UNLESS OTHERWISE SET FORTH IN ST'S TERMS AND CONDITIONS OF SALE ST DISCLAIMS ANY EXPRESS OR IMPLIED WARRANTY WITH RESPECT TO THE USE AND/OR SALE OF ST PRODUCTS INCLUDING WITHOUT LIMITATION IMPLIED WARRANTIES OF MERCHANTABILITY, FITNESS FOR A PARTICULAR PURPOSE (AND THEIR EQUIVALENTS UNDER THE LAWS OF ANY JURISDICTION), OR INFRINGEMENT OF ANY PATENT, COPYRIGHT OR OTHER INTELLECTUAL PROPERTY RIGHT.

UNLESS EXPRESSLY APPROVED IN WRITING BY AN AUTHORIZED ST REPRESENTATIVE, ST PRODUCTS ARE NOT RECOMMENDED, AUTHORIZED OR WARRANTED FOR USE IN MILITARY, AIR CRAFT, SPACE, LIFE SAVING, OR LIFE SUSTAINING APPLICATIONS, NOR IN PRODUCTS OR SYSTEMS WHERE FAILURE OR MALFUNCTION MAY RESULT IN PERSONAL INJURY, DEATH, OR SEVERE PROPERTY OR ENVIRONMENTAL DAMAGE. ST PRODUCTS WHICH ARE NOT SPECIFIED AS "AUTOMOTIVE GRADE" MAY ONLY BE USED IN AUTOMOTIVE APPLICATIONS AT USER'S OWN RISK.

Resale of ST products with provisions different from the statements and/or technical features set forth in this document shall immediately void any warranty granted by ST for the ST product or service described herein and shall not create or extend in any manner whatsoever, any liability of ST.

ST and the ST logo are trademarks or registered trademarks of ST in various countries.

Information in this document supersedes and replaces all information previously supplied.

The ST logo is a registered trademark of STMicroelectronics. All other names are the property of their respective owners.

© 2011 STMicroelectronics - All rights reserved

STMicroelectronics group of companies

Australia - Belgium - Brazil - Canada - China - Czech Republic - Finland - France - Germany - Hong Kong - India - Israel - Italy - Japan - Malaysia - Malta - Morocco - Philippines - Singapore - Spain - Sweden - Switzerland - United Kingdom - United States of America

www.st.com

X-ON Electronics

Largest Supplier of Electrical and Electronic Components

Click to view similar products for [Networking Development Tools](#) category:

Click to view products by [STMicroelectronics](#) manufacturer:

Other Similar products are found below :

[MAX79356CAEVK1#](#) [MAX2982EVSYS](#) [BASENODE-EK](#) [DC-ME-9210-LX](#) [WIZ550SR-EVB](#) [DC9018B-B](#) [DC9007A](#) [DC9021B](#)
[ATPANCOORDINATOR-EK](#) [SM2400-EVK2M2-C](#) [SM2400-EVK2M5-A](#) [Pi01-2](#) [Pi01-3](#) [Pi01-4](#) [Pi01-42](#) [Pi01-43](#) [pind-4ge](#) [pind-4ga](#) [tbit-](#)
[32](#) [DC9020B](#) [DC9022B](#) [RAPID-TSNEK-V0001](#) [ABX00017](#) [GKX00006](#) [DC-ACC-DBME](#) [DC-ME-01T-MF-10](#) [DG-EXT-300-RR](#)
[XP10010NMK-01](#) [XPC100100K-02](#) [XPC240300EK](#) [XPC250300EK](#) [XPE200100EK](#) [Development Kit, RS232](#) [Development Kit, USB](#)
[MAX11947EVKIT#](#) [RD-HNPH2DCP962KIT-01](#) [ATPL360-EK](#) [MIKROE-3739](#) [MIKROE-3888](#) [MIKROE-2747](#) [NNDK-MOD5213-KIT](#)
[SB800EX-KIT](#) [ESP32-GATEWAY](#) [NCN5110ASGEVB](#) [NCN5121ASGEVB](#) [FPWEB2](#) [ARGNKIT](#) [XENNKIT](#) [604565285904](#) [110060622](#)