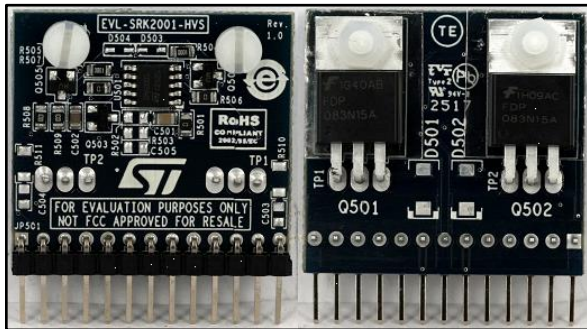


Evaluation board for SRK2001 adaptive synchronous rectification controller for LLC resonant converter with high voltage external sensing MOSFETs

Data brief



Features

- Synchronous rectifier for LLC resonant converter with adaptive turn-on and turn-off
- Max. frequency: 500 kHz
- Dual gate drive for N-channel MOSFETs
- External high voltage sensing MOSFETs and TO220 SR MOSFETs (6.85 mΩ 150 V rated) for application with output voltages up to 48 V

Description

The EVL-SRK2001-HVS evaluation board for the SRK2001 synchronous rectification controller is suitable for LLC converter applications with higher output voltage (up to 48 V), thanks to the

use of external sensing MOSFETs in series with DVS1,2 pins.

An external Vcc voltage (12 V, max. 20 V) is required to supply the IC.

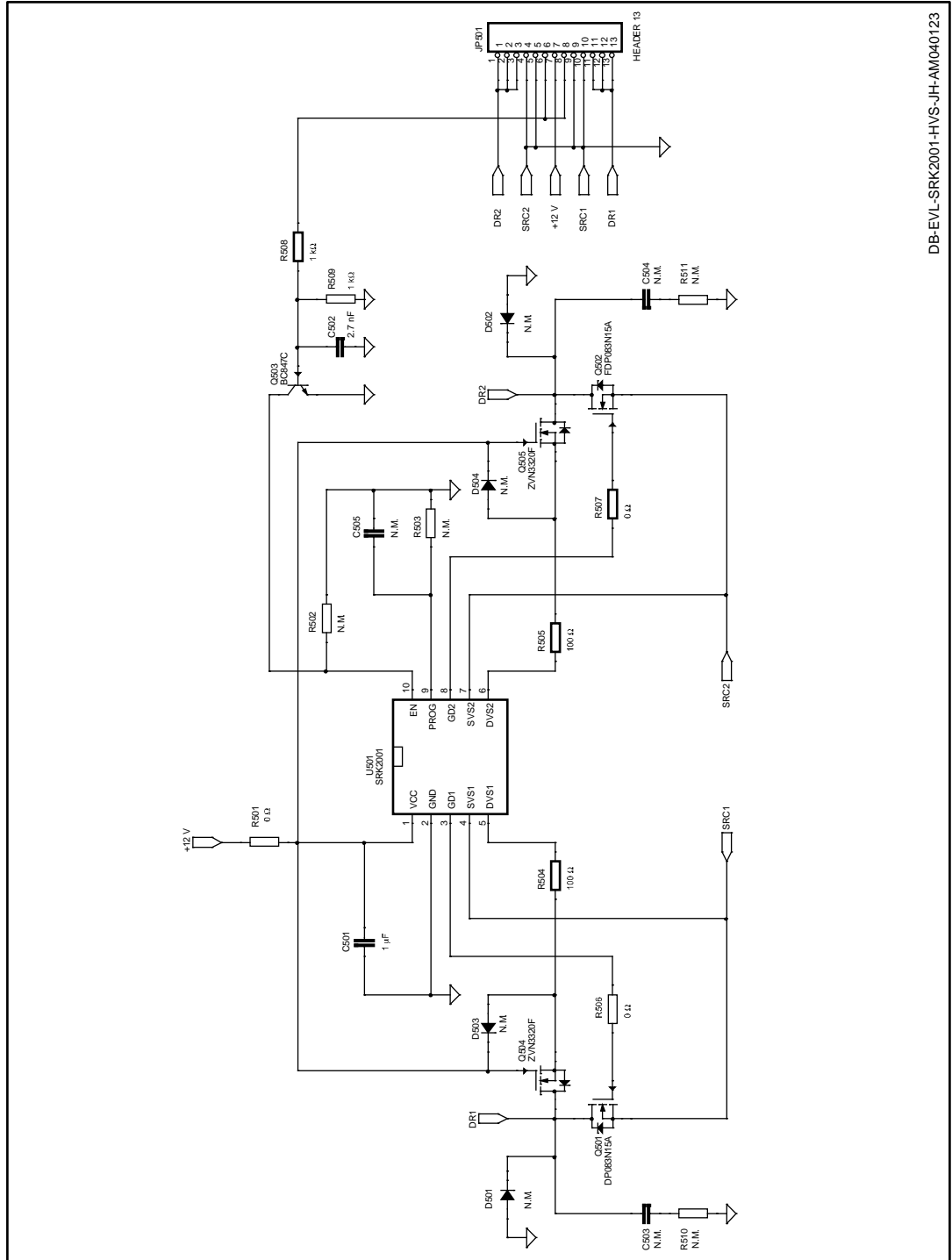
The SRK2001 implements a control scheme for secondary-side synchronous rectification in LLC resonant converters, using a transformer with a center-tap secondary winding for full-wave rectification.

It provides two high-current gate-drive outputs (for driving N-channel power MOSFETs). Each gate-driver is controlled separately and an interlock logic prevents the two synchronous rectifier (SR) MOSFETs from conducting simultaneously.

Device operation is based on adaptive algorithms for both turn-on and turn-off of SR MOSFETs. During fast load transitions or during the above resonance operation, a further turn-off mechanism based on a ZCD_OFF comparator is provided, which triggers the gate-drive circuit for a very fast MOSFET turn-off.

The board includes two SR MOSFETs (TO220 package) and can be easily implemented in an existing converter to substitute rectifier diodes. Refer to the AN4674 for circuit implementation.

1 Electrical schematic



2 Revision history

Table 1: Document revision history

| Date | Revision | Changes |
|-------------|----------|-----------------|
| 11-Sep-2017 | 1 | Initial release |

IMPORTANT NOTICE - PLEASE READ CAREFULLY

STMicroelectronics NV and its subsidiaries ("ST") reserve the right to make changes, corrections, enhancements, modifications, and improvements to ST products and/or to this document at any time without notice. Purchasers should obtain the latest relevant information on ST products before placing orders. ST products are sold pursuant to ST's terms and conditions of sale in place at the time of order acknowledgement.

Purchasers are solely responsible for the choice, selection, and use of ST products and ST assumes no liability for application assistance or the design of Purchasers' products.

No license, express or implied, to any intellectual property right is granted by ST herein.

Resale of ST products with provisions different from the information set forth herein shall void any warranty granted by ST for such product.

ST and the ST logo are trademarks of ST. All other product or service names are the property of their respective owners.

Information in this document supersedes and replaces information previously supplied in any prior versions of this document.

© 2017 STMicroelectronics – All rights reserved

X-ON Electronics

Largest Supplier of Electrical and Electronic Components

Click to view similar products for [Power Management IC Development Tools](#) *category:*

Click to view products by [STMicroelectronics](#) *manufacturer:*

Other Similar products are found below :

[EVAL-ADM1168LQEBZ](#) [EVB-EP5348UI](#) [MIC23451-AAAYFL EV](#) [MIC5281YMME EV](#) [DA9063-EVAL](#) [ADP122-3.3-EVALZ](#) [ADP130-0.8-EVALZ](#) [ADP130-1.2-EVALZ](#) [ADP130-1.5-EVALZ](#) [ADP130-1.8-EVALZ](#) [ADP1712-3.3-EVALZ](#) [ADP1714-3.3-EVALZ](#) [ADP1715-3.3-EVALZ](#) [ADP1716-2.5-EVALZ](#) [ADP1740-1.5-EVALZ](#) [ADP1752-1.5-EVALZ](#) [ADP1828LC-EVALZ](#) [ADP1870-0.3-EVALZ](#) [ADP1871-0.6-EVALZ](#) [ADP1873-0.6-EVALZ](#) [ADP1874-0.3-EVALZ](#) [ADP1882-1.0-EVALZ](#) [ADP199CB-EVALZ](#) [ADP2102-1.25-EVALZ](#) [ADP2102-1.875EVALZ](#) [ADP2102-1.8-EVALZ](#) [ADP2102-2-EVALZ](#) [ADP2102-3-EVALZ](#) [ADP2102-4-EVALZ](#) [ADP2106-1.8-EVALZ](#) [ADP2147CB-110EVALZ](#) [AS3606-DB](#) [BQ24010EVM](#) [BQ24075TEVM](#) [BQ24155EVM](#) [BQ24157EVM-697](#) [BQ24160EVM-742](#) [BQ24296MEVM-655](#) [BQ25010EVM](#) [BQ3055EVM](#) [NCV891330PD50GEVB](#) [ISLUSBI2CKIT1Z](#) [LM2744EVAL](#) [LM2854EVAL](#) [LM3658SD-AEV/NOPB](#) [LM3658SDEV/NOPB](#) [LM3691TL-1.8EV/NOPB](#) [LM4510SDEV/NOPB](#) [LM5033SD-EVAL](#) [LP38512TS-1.8EV](#)