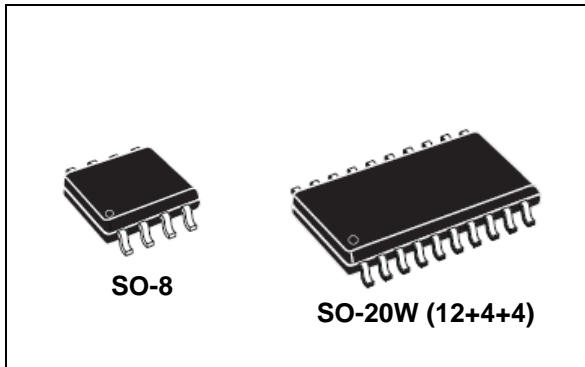


## Automotive multifunction very low drop voltage regulator

Datasheet - production data



### Description

The L4949ED-E and L4949EP-E are monolithic integrated 5V voltage regulators with a very low dropout output and additional functions as power-on reset and input voltage sense. They are designed for supplying the microcomputer controlled systems especially in automotive applications.

### Features


- AEC-Q100 qualified 
- ECOPACK<sup>®</sup>: lead free and RoHS compliant
- Operating DC supply voltage range 5 V - 28 V
- Transient supply voltage up to 40 V
- Extremely low quiescent current in standby
- High precision standby output voltage 5V±1%
- Output current capability up to 100 mA
- Very low dropout voltage less than 0.5 V
- Reset circuit sensing the output voltage
- Programmable reset pulse delay with external capacitor
- Voltage sense comparator
- Thermal shutdown and short circuit protections

Table 1. Device summary

Package	Order codes	
	Tube	Tape and Reel
SO-8	-	L4949EDTR-E
SO-20W	L4949EP-E	L4949EPTR-E

# Contents

<b>1</b>	<b>Block diagram and pin description</b>	<b>5</b>
<b>2</b>	<b>Electrical specifications</b>	<b>7</b>
2.1	Absolute maximum ratings	7
2.2	Thermal data	7
2.3	Electrical characteristics	8
<b>3</b>	<b>Application information</b>	<b>10</b>
3.1	Supply voltage transient	10
3.2	Functional description	10
3.3	Voltage regulator	11
3.4	Preregulator	12
3.5	Reset circuit	13
3.6	Sense comparator	13
<b>4</b>	<b>Package and packing information</b>	<b>15</b>
4.1	ECOPACK <sup>®</sup> packages	15
4.2	SO-8 TP package information	15
4.3	SO-20 TP package information	16
<b>5</b>	<b>Revision history</b>	<b>18</b>

## List of tables

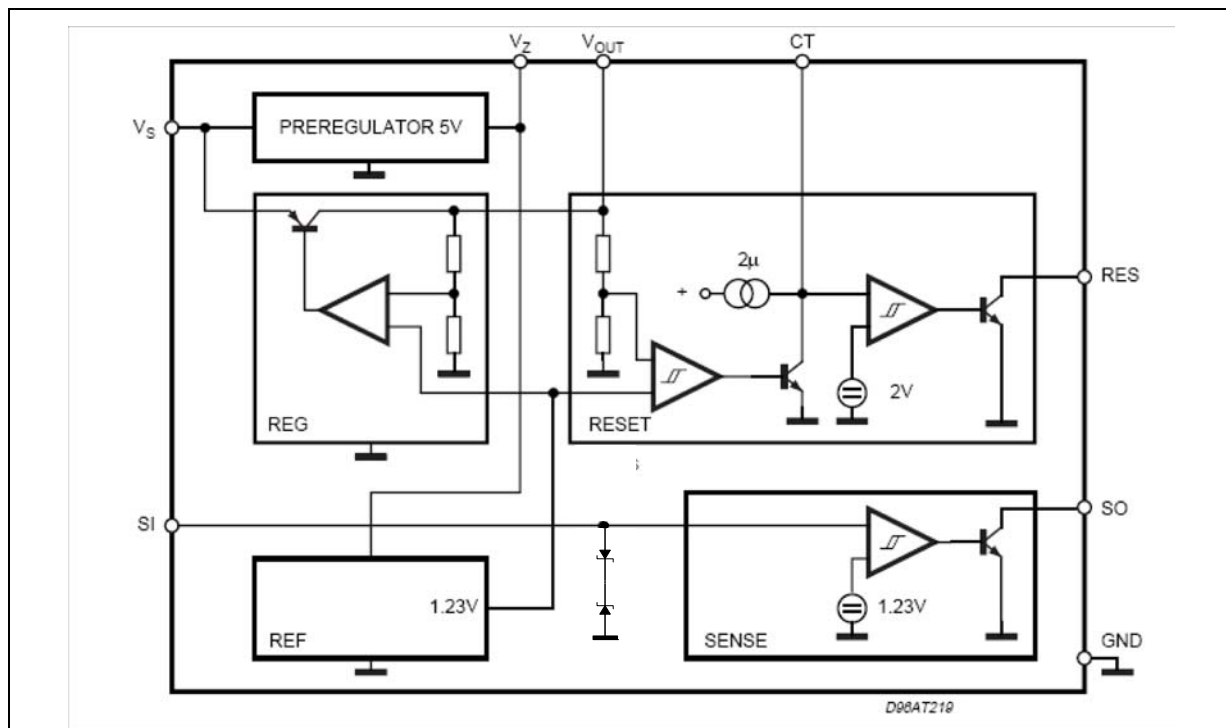
Table 1.	Device summary . . . . .	1
Table 2.	Pin definitions and functions . . . . .	6
Table 3.	Absolute maximum ratings . . . . .	7
Table 4.	Thermal data . . . . .	7
Table 5.	Electrical characteristics . . . . .	8
Table 6.	Reset . . . . .	8
Table 7.	Sense . . . . .	9
Table 8.	Preregulator . . . . .	9
Table 9.	SO-8 TP mechanical data . . . . .	15
Table 10.	SO-20 TP mechanical data . . . . .	16
Table 11.	Document revision history . . . . .	18

## List of figures

Figure 1.	Block diagram . . . . .	5
Figure 2.	Configuration diagram (top view) . . . . .	5
Figure 3.	Application circuit . . . . .	10
Figure 4.	Foldback characteristic of $V_O$ . . . . .	11
Figure 5.	Output voltage vs input voltage . . . . .	12
Figure 6.	Quiescent current vs supply voltage . . . . .	12
Figure 7.	Block circuit of reset circuit . . . . .	14
Figure 8.	Waveforms . . . . .	14
Figure 9.	SO-8 TP package dimensions . . . . .	16
Figure 10.	SO20 TP package dimensions . . . . .	17

# 1 Block diagram and pin description

Figure 1. Block diagram



Note: The block diagram illustrates only a major internal device functionality and it is not intended to mimic any details of hardware design

Figure 2. Configuration diagram (top view)

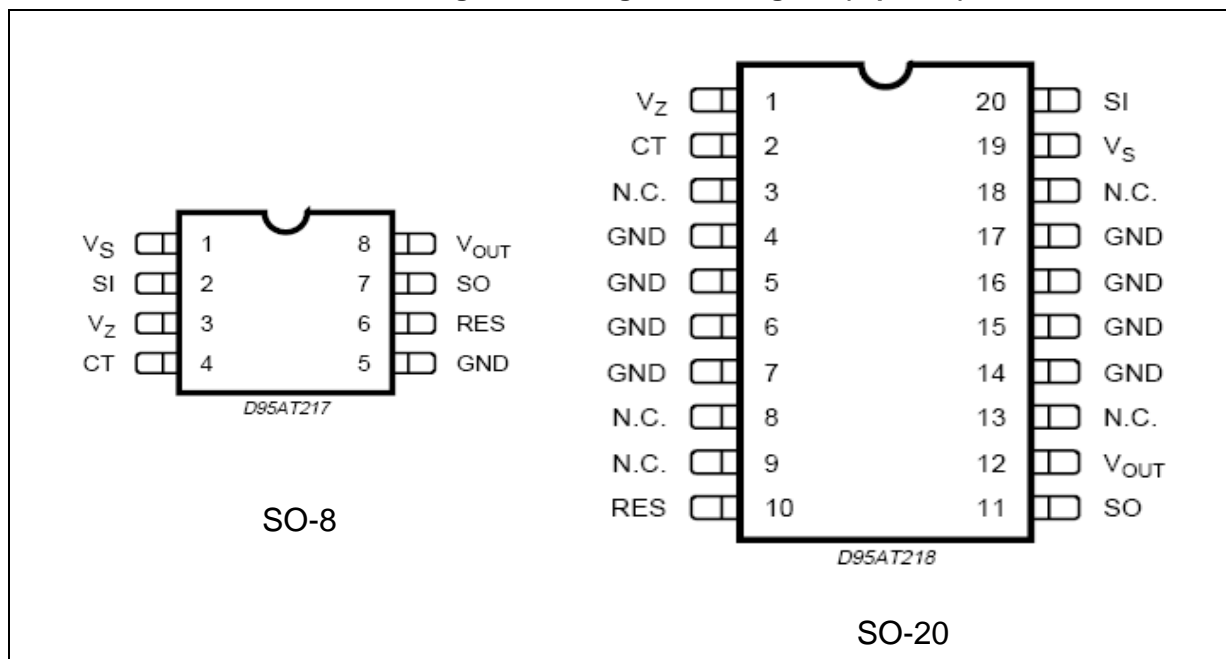


Table 2. Pin definitions and functions

Pin N°		Symbol	Function
SO-8	SO-20		
1	19	$V_S$	Input supply voltage. Block to GND via an external capacitor (see <a href="#">Figure 3</a> ).
2	20	$S_I$	Sense input pin to supervise input voltage. Connect via an external voltage divider connected to $V_S$ and to GND.
3	1	$V_Z$	Preregulator output voltage. For details, see <a href="#">Section 3.4: Preregulator</a> .
4	2	$C_T$	Reset pulse delay adjustment. Connecting this pin via a capacitor to GND
5	4, 5, 6, 7, 14, 15, 16, 17	GND	Ground reference
6	10	RES	Reset output. It is pulled down when the output voltage goes below $V_{RT}$ .
7	11	$S_O$	Sense output. This open collector pin must be connected to $V_{OUT}$ via an external resistor. It is pulled down whenever the $S_I$ voltage becomes lower than an internal voltage.
8	12	$V_{OUT}$	Output voltage. Block to GND via an external capacitor (see <a href="#">Figure 3</a> )
-	3, 8, 9, 13, 18	NC	Not connected pins

## 2 Electrical specifications

### 2.1 Absolute maximum ratings

Table 3. Absolute maximum ratings

Symbol	Parameter	Value	Unit
$V_{SDC}$	DC operating supply voltage	28	V
$V_{STR}$	Transient supply voltage ( $T < 1s$ )	40	V
$I_O$	Output current	Internally limited	
$V_O$	Output voltage	20	V
$V_{RES}, V_{SO}$	Output voltage	20	V
$I_{RES}, I_{SO}$	Output current	5	mA
$V_{CT}$	Reset delay voltage	7	V
$V_{SIDC}$	Sense input voltage	28	V
$V_Z$	Preregulator output voltage	7	V
$I_Z$	Preregulator output current	5	mA
$T_J$	Junction temperature	-40 to +150	°C
$T_{stg}$	Storage temperature range	-55 to +150	°C

Note: The circuit is ESD protected according to MIL-STD-883C.

### 2.2 Thermal data

Table 4. Thermal data

Symbol	Description	SO-8	SO20L	Unit
$R_{th\ j-amb}$	Thermal Resistance Junction-ambient (max)	200	50	°C/W
$R_{th\ j-pins}$	Thermal Resistance Junction-pins (max)		15	°C/W
TJSD	Thermal Shutdown Junction temperature	165		°C

## 2.3 Electrical characteristics

$V_S = 14\text{ V}$ ;  $-40\text{ °C} < T_J < 125\text{ °C}$  unless otherwise specified

**Table 5. Electrical characteristics**

Symbol	Parameter	Test condition	Min.	Typ.	Max.	Unit
$V_O$	Output voltage	$T_J = 25\text{ °C}$ ; $I_O = 1\text{ mA}$	4.95	5	5.05	V
$V_O$	Output voltage	$6\text{ V} < V_{IN} < 28\text{ V}$ , $1\text{ mA} < I_O < 50\text{ mA}$	4.90	5	5.10	V
$V_O$	Output voltage	$V_{IN} = 40\text{ V}$ ; $T < 1\text{ s}$ ; $5\text{ mA} < I_O < 100\text{ mA}$	4.75		5.25	V
$V_{DP}$	Dropout voltage	$I_O = 10\text{ mA}$		0.1	0.25	V
		$I_O = 50\text{ mA}$		0.2	0.4	V
		$I_O = 100\text{ mA}$		0.3	0.5	V
$V_{IO}$	Input to output voltage difference in undervoltage condition	$V_{IN} = 4\text{ V}$ , $I_O = 35\text{ mA}$			0.4	V
$I_{\text{outh}}^{(1)}$	Max output leakage	$V_{IN} = 25\text{ V}$ , $V_O = 5.5\text{ V}$	20	50	80	$\mu\text{A}$
$V_{OL}$	Line regulation	$6\text{ V} < V_{IN} < 28\text{ V}$ ; $I_O = 1\text{ mA}$			20	mV
$V_{OLO}$	Load regulation	$1\text{ mA} < I_O < 100\text{ mA}$			30	mV
$I_{LIM}$	Current limit	$V_O = 4.5\text{ V}$	105	200	400	mA
		$V_O = 4.5\text{ V}$ ; $T_J = 25\text{ °C}$	120		400	mA
		$V_O = 0\text{ V}^{(2)}$		100		mA
$I_{QSE}$	Quiescent current	$I_O = 0.3\text{ mA}$ ; $T_J < 100\text{ °C}$		200	300	$\mu\text{A}$
$I_Q$	Quiescent current	$I_O = 100\text{ mA}$			5	mA

1. With this test we guarantee that with no output current the output voltage will not exceed 5.5V

2. Foldback characteristic

**Table 6. Reset**

Symbol	Parameter	Test condition	Min.	Typ.	Max.	Unit
$V_{RT}$	Reset threshold voltage			$V_O - 0.5\text{ V}$		V
$V_{RTH}$	Reset threshold hysteresis		50	100	200	mV
$t_{RD}$	Reset pulse delay	$C_T = 100\text{ nF}$ ; $T_R \geq 100\text{ }\mu\text{s}$	55	100	180	ms
$V_{RL}$	Reset output low voltage	$R_{RES} = 10\text{ K}\Omega$ to $V_O$ $V_S \geq 1.5\text{ V}$			0.4	V
$I_{RH}$	Reset output high leakage current	$V_{RES} = 5\text{ V}$			1	$\mu\text{A}$
$V_{CTth}$	Delay comparator threshold			2		V
$V_{CTth, hy}$	Delay comparator threshold hysteresis			100		mV



Table 7. Sense

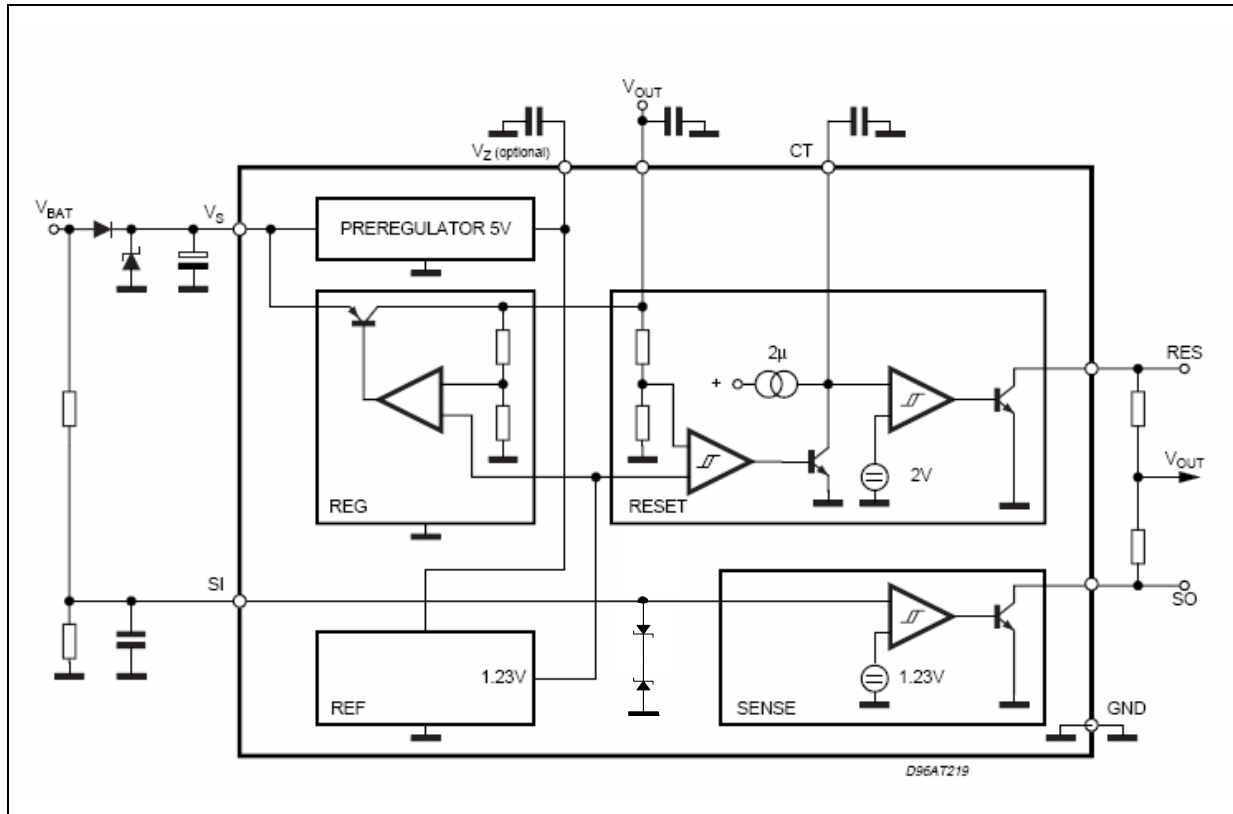
Symbol	Parameter	Test condition	Min.	Typ.	Max.	Unit
$V_{st}$	Sense low threshold		1.16	1.23	1.35	V
$V_{sth}$	Sense threshold hysteresis		20	100	200	mV
$V_{SL}$	Sense output low voltage	$V_{SI} \leq 1.16 \text{ V}; V_S \geq 3 \text{ V}$ $R_{SO} = 10 \text{ K}\Omega \text{ to } V_O$			0.4	V
$I_{SH}$	Sense output leakage	$V_{SO} = 5 \text{ V}; V_{SI} \geq 1.5 \text{ V}$			1	$\mu\text{A}$
$I_{SI}$	Sense input current	$V_{SI} = 0$	-20	-8	-3	$\mu\text{A}$

Table 8. Preregulator

Symbol	Parameter	Test condition	Min.	Typ.	Max.	Unit
$V_Z$	Preregulator output voltage	$I_Z = 10 \mu\text{A}$	4.5	5	6	V
$I_Z$	Preregulator output current				10	$\mu\text{A}$

### 3 Application information

Figure 3. Application circuit



Note: For stability:  $C_S \geq 1\mu F$ ,  $C_O \geq 4.7\mu F$ ,  $ESR < 10\Omega$  at 10KHz. Recommended for application:  $C_S = C_O = 10\mu F$  to  $100\mu F$

#### 3.1 Supply voltage transient

High supply voltage transients can cause a reset output signal disturbance. For supply voltages greater than 8V the circuit shows a high immunity of the reset output against supply transients of more than  $100V/\mu s$ . For supply voltages less than 8V supply transients of more than  $0.4V/\mu s$  can cause a reset signal disturbance.

To improve the transient behaviour for supply voltages less than 8V a capacitor at pin  $V_Z$  can be used.

This capacitor ( $C_3 \leq 1\mu F$ ) reduces also the output noise.

#### 3.2 Functional description

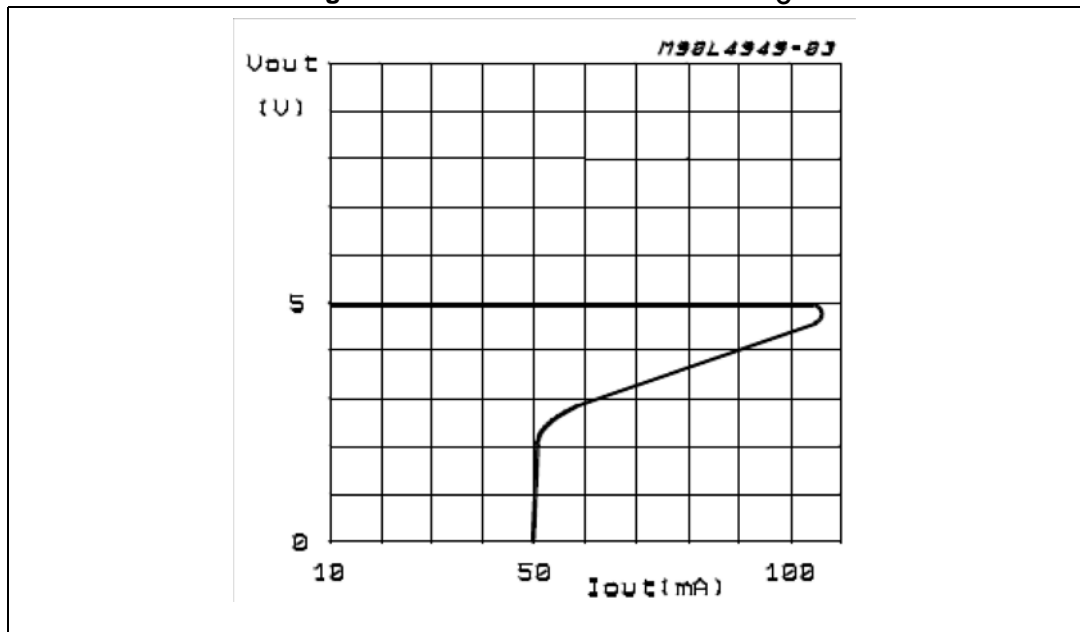
The L4949ED-E and L4949EP-E are monolithic integrated voltage regulator, based on the STM modular voltage regulator approach. Several outstanding features and auxiliary functions are implemented to meet the requirements of supplying microprocessor systems in automotive applications. Nevertheless, it is suitable also in other applications where the

present functions are required. The modular approach of this device allows to get easily also other features and functions when required.

### 3.3 Voltage regulator

The voltage regulator uses an Isolated Collector Vertical PNP transistor as a regulating element.

Figure 4. Foldback characteristic of  $V_O$



With this structure very low dropout voltage at currents up to 100mA is obtained. The dropout operation of the standby regulator is maintained down to 3V input supply voltage. The output voltage is regulated up to the transient input supply voltage of 40V. With this feature no functional interruption due to overvoltage pulses is generated. The typical curve showing the standby output voltage as a function of the input supply voltage is shown in [Figure 5](#). The current consumption of the device (quiescent current) is less than 300  $\mu$ A.

To reduce the quiescent current peak in the undervoltage region and to improve the transient response in this region, the dropout voltage is controlled, the quiescent current as a function of the supply input voltage is shown in [Figure 6](#).

Figure 5. Output voltage vs input voltage

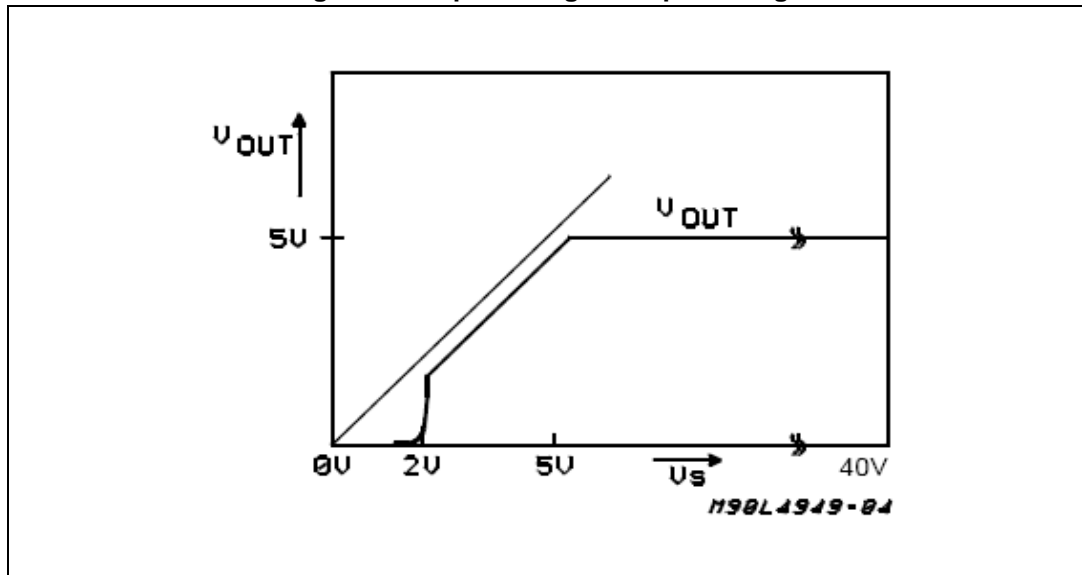
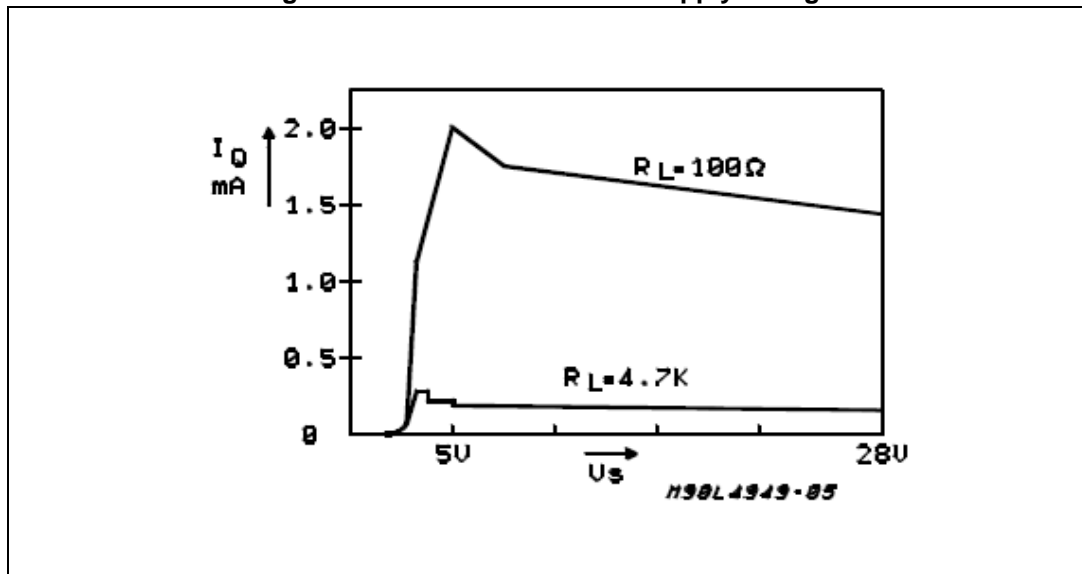


Figure 6. Quiescent current vs supply voltage



### 3.4 Preregulator

To improve the transient immunity a preregulator stabilizes the internal supply voltage to 5 V. This internal voltage is present at Pin 3 ( $V_Z$ ). This voltage should not be used as an output because the output capability is very small ( $\leq 10 \mu A$ ).

This output may be used as an option when a better transient behaviour for supply voltages less than 8 V is required (see also application note).

In this case a capacitor (100 nF - 1  $\mu F$ ) must be connected between pin  $V_Z$  and GND. If this feature is not used pin  $V_Z$  must be left open.

### 3.5 Reset circuit

The block circuit diagram of the reset circuit is shown in [Figure 7](#). The reset circuit supervises the output voltage.

The reset threshold of 4.5 V is defined with the internal reference voltage and standby output divider.

The reset pulse delay time  $t_{RD}$ , is defined with the charge time of an external capacitor  $C_T$ :

$$t_{RD} = \frac{C_T \cdot 2V}{2\mu A}$$

The reaction time of the reset circuit originates from the discharge time limitation of the reset capacitor  $C_T$  and is proportional to the value of  $C_T$ .

The reaction time of the reset circuit increases the noise immunity. Standby output voltage drops below the reset threshold only a bit longer than the reaction time results in a shorter reset delay time.

The nominal reset delay time is generated for standby output voltage drops longer than approximately 50ms.

The typical reset output waveforms are shown in [Figure 8](#).

### 3.6 Sense comparator

The sense comparator compares an input signal with an internal voltage reference of typical 1.23V. The use of an external voltage divider makes this comparator very flexible in the application.

It can be used to supervise the input voltage either before or after the protection diode and to give additional informations to the microprocessor like low voltage warnings.

Figure 7. Block circuit of reset circuit

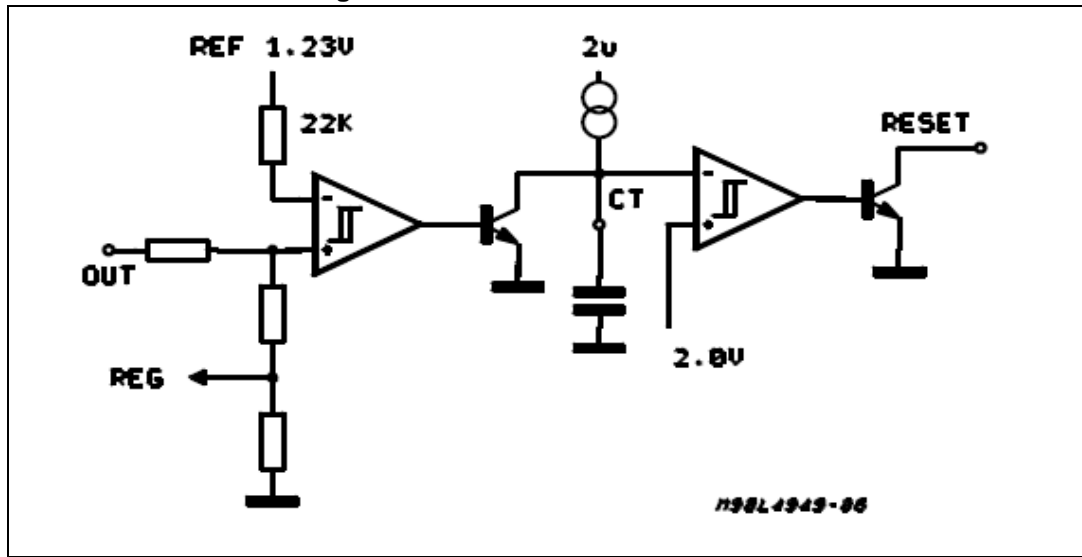
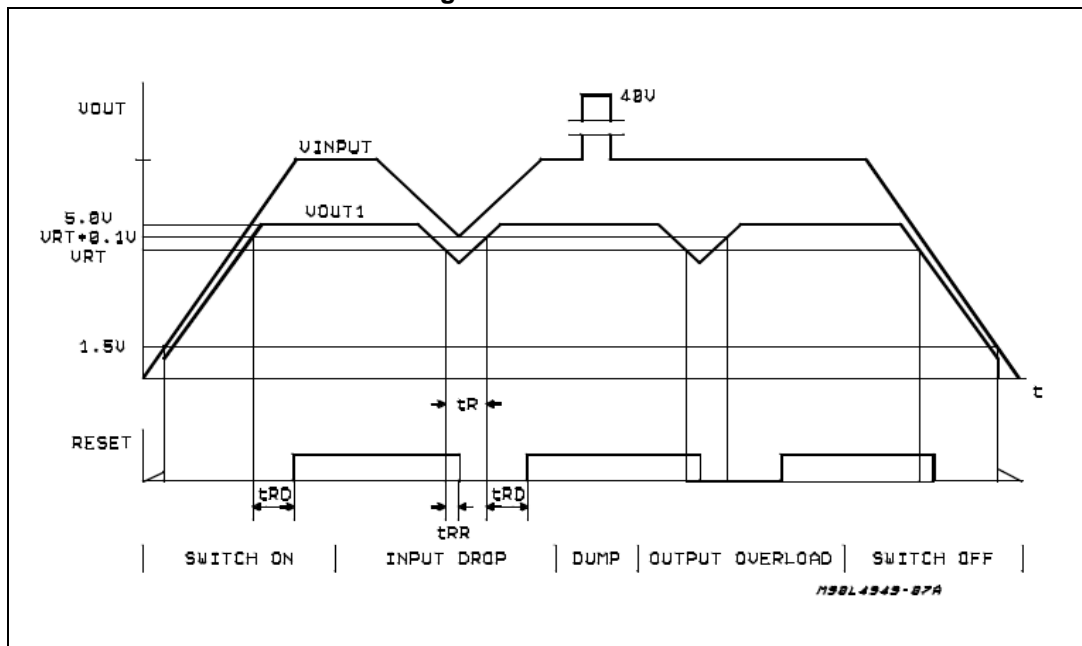


Figure 8. Waveforms



## 4 Package and packing information

### 4.1 ECOPACK<sup>®</sup> packages

In order to meet environmental requirements, ST offers these devices in different grades of ECOPACK<sup>®</sup> packages, depending on their level of environmental compliance. ECOPACK<sup>®</sup> specifications, grade definitions and product status are available at: [www.st.com](http://www.st.com).

ECOPACK<sup>®</sup> is an ST trademark.

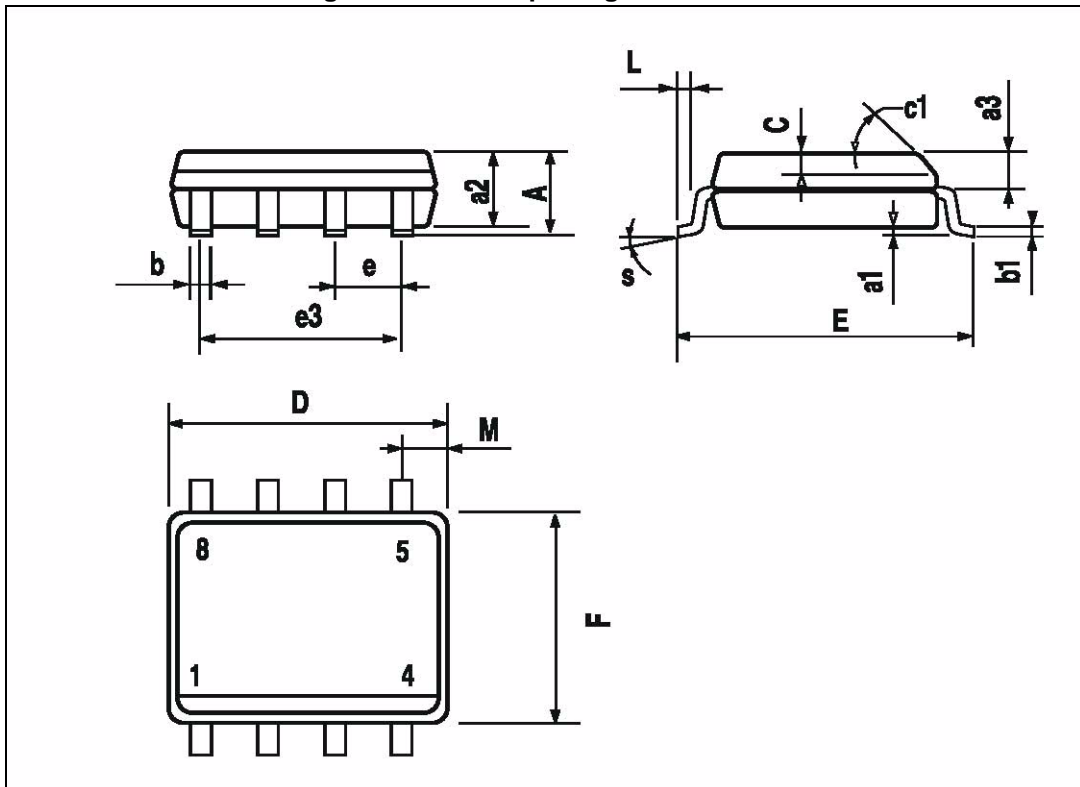
### 4.2 SO-8 TP package information

Table 9. SO-8 TP mechanical data

Dim.	mm		
	Min.	Typ.	Max.
A			1.75
a1	0.1		0.25
a2			1.65
a3	0.65		0.85
b	0.35		0.48
b1	0.19		0.25
C	0.25		0.5
c1	45° (typ.)		
D <sup>(1)</sup>	4.8		5.0
E	5.8		6.2
e		1.27	
e3		3.81	
F <sup>(1)</sup>	3.8		4.0
L	0.4		1.27
M			0.6
S	8° (max.)		

1. D and F do not include mold flash or protrusions. Mold flash or protrusions shall not exceed 0.15mm (.006inch).

Figure 9. SO-8 TP package dimensions



### 4.3 SO-20 TP package information

Table 10. SO-20 TP mechanical data

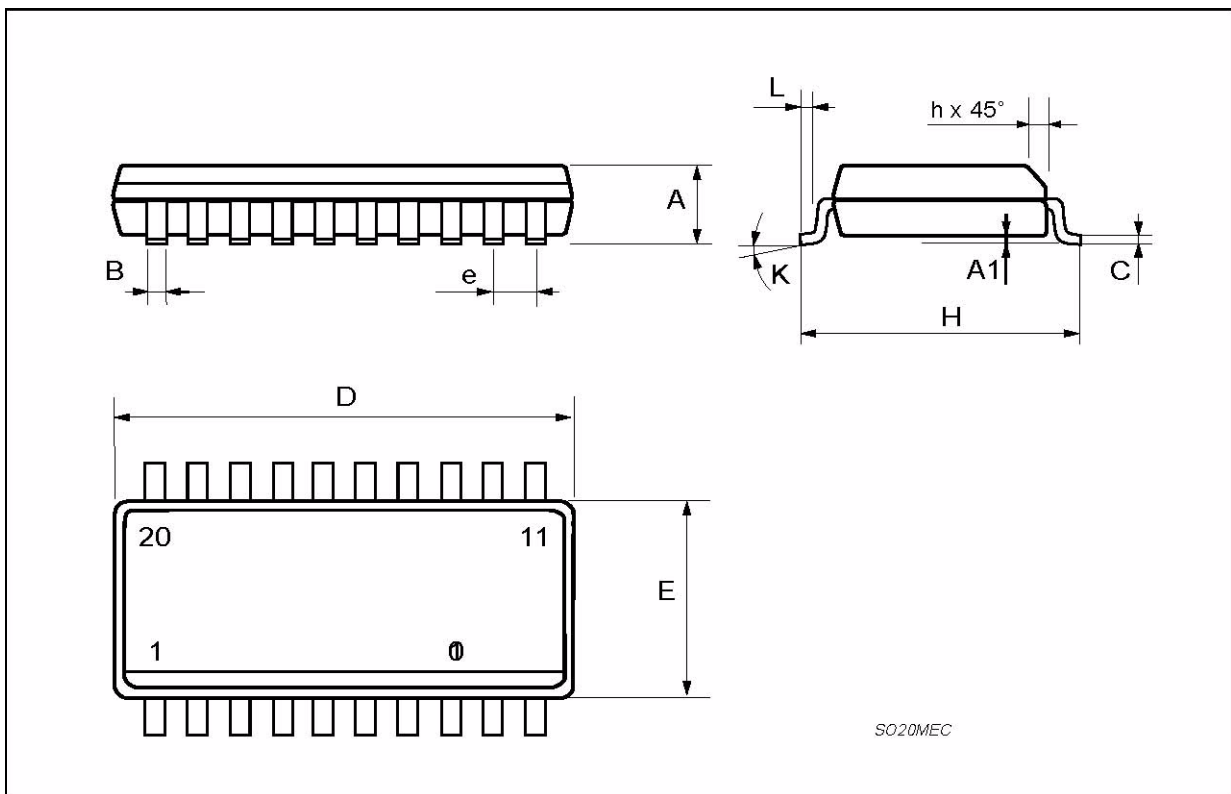
Dim.	mm		
	Min.	Typ.	Max.
A	2.35		2.65
A1	0.1		0.3
B	0.33		0.51
C	0.23		0.32
D	12.6		13
E	7.4		7.6
e		1.27	
H	10		10.65



Table 10. SO-20 TP mechanical data (continued)

Dim.	mm		
	Min.	Typ.	Max.
h	0.25		0.75
L	0.4		1.27
K	0 (min.)8 (max.)		

Figure 10. SO20 TP package dimensions



## 5 Revision history

Table 11. Document revision history

Date	Revision	Description of changes
24-Nov-2009	1	Initial release.
20-Sep-2013	2	Updated disclaimer.
28-Feb-2018	3	Removed tube version for SO-8 package.
24-Sep-2018	4	Updated : <i>Features</i>

**IMPORTANT NOTICE – PLEASE READ CAREFULLY**

STMicroelectronics NV and its subsidiaries ("ST") reserve the right to make changes, corrections, enhancements, modifications, and improvements to ST products and/or to this document at any time without notice. Purchasers should obtain the latest relevant information on ST products before placing orders. ST products are sold pursuant to ST's terms and conditions of sale in place at the time of order acknowledgement.

Purchasers are solely responsible for the choice, selection, and use of ST products and ST assumes no liability for application assistance or the design of Purchasers' products.

No license, express or implied, to any intellectual property right is granted by ST herein.

Resale of ST products with provisions different from the information set forth herein shall void any warranty granted by ST for such product.

ST and the ST logo are trademarks of ST. All other product or service names are the property of their respective owners.

Information in this document supersedes and replaces information previously supplied in any prior versions of this document.

© 2018 STMicroelectronics – All rights reserved

## X-ON Electronics

Largest Supplier of Electrical and Electronic Components

*Click to view similar products for [LDO Voltage Regulators](#) category:*

*Click to view products by [STMicroelectronics](#) manufacturer:*

Other Similar products are found below :

[AP7363-SP-13](#) [L79M05TL-E](#) [TCR3DF185,LM\(CT](#) [TCR3DF24,LM\(CT](#) [TCR3DF285,LM\(CT](#) [TCR3DF31,LM\(CT](#) [TCR3DF45,LM\(CT](#)  
[MP2013GQ-33-Z](#) [059985X](#) [NCP4687DH15T1G](#) [701326R](#) [TCR2EN28,LF\(S](#) [NCV8170AXV250T2G](#) [TCR3DF27,LM\(CT](#)  
[TCR3DF19,LM\(CT](#) [TCR3DF125,LM\(CT](#) [TCR2EN18,LF\(S](#) [AP2112R5A-3.3TRG1](#) [AP7315-25W5-7](#) [IFX30081LDVGRNXUMA1](#)  
[NCV47411PAAJR2G](#) [AP2113KTR-G1](#) [AP2111H-1.2TRG1](#) [ZLDO1117QK50TC](#) [AZ1117IH-1.8TRG1](#) [AZ1117ID-ADJTRG1](#)  
[TCR3DG12,LF](#) [MIC5514-3.3YMT-T5](#) [MIC5512-1.2YMT-T5](#) [MIC5317-2.8YM5-T5](#) [SCD7912BTG](#) [NCP154MX180270TAG](#) [SCD33269T-](#)  
[5.0G](#) [NCV8170BMX330TCG](#) [NCV8170AMX120TCG](#) [NCP706ABMX300TAG](#) [NCP153MX330180TCG](#) [NCP114BMX075TCG](#)  
[MC33269T-3.5G](#) [CAT6243-ADJCMT5T](#) [TCR3DG33,LF](#) [AP2127N-1.0TRG1](#) [TCR4DG35,LF](#) [LT1117CST-3.3](#) [TAR5S15U\(TE85L,F\)](#)  
[TAR5S18U\(TE85L,F\)](#) [TCR3UG19A,LF](#) [TCR4DG105,LF](#) [NCV8170AMX360TCG](#) [MIC94310-NYMT-T5](#)