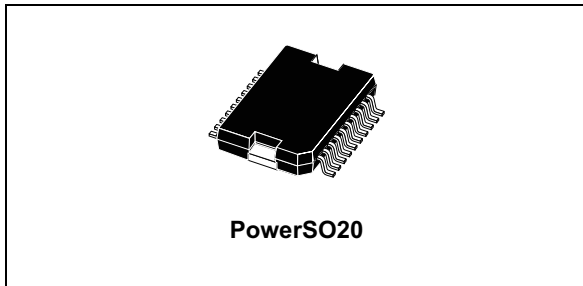


## Three-phase motor driver

Datasheet - production data



### Features

- Supply voltage from 7 to 52 V
- 5 A peak current
- $R_{DSon}$  0.3  $\Omega$  typ. value at 25 °C
- Cross conduction protection
- TTL compatible driver
- Operating frequency up to 150 kHz
- Thermal shutdown
- Intrinsic fast free wheeling diodes
- Input and enable function for each half bridge
- 10 V external reference available

### Description

The L6234 is a triple half bridge to drive a brushless DC motor.

It is realized in BCDmultipower technology which combines isolated DMOS power transistors with CMOS and bipolar circuits on the same chip.

By using mixed technology it has been possible to optimize the logic circuitry and the power stage to achieve the best possible performance.

The output DMOS transistors can sustain a very high current due to the fact that the DMOS structure is not affected by the second breakdown effect, the RMS maximum current is practically limited by the dissipation capability of the package.

All the logic inputs are TTL, CMOS and  $\mu P$  compatible. Each channel is controlled by two separate logic inputs.

The L6234 device is available in a 20-pin PowerSO20 package.

**Table 1. Device summary**

Order code	Package	Packing
L6234PD	PowerSO20	Tube
L6234PD013TR	PowerSO20	Tape and reel

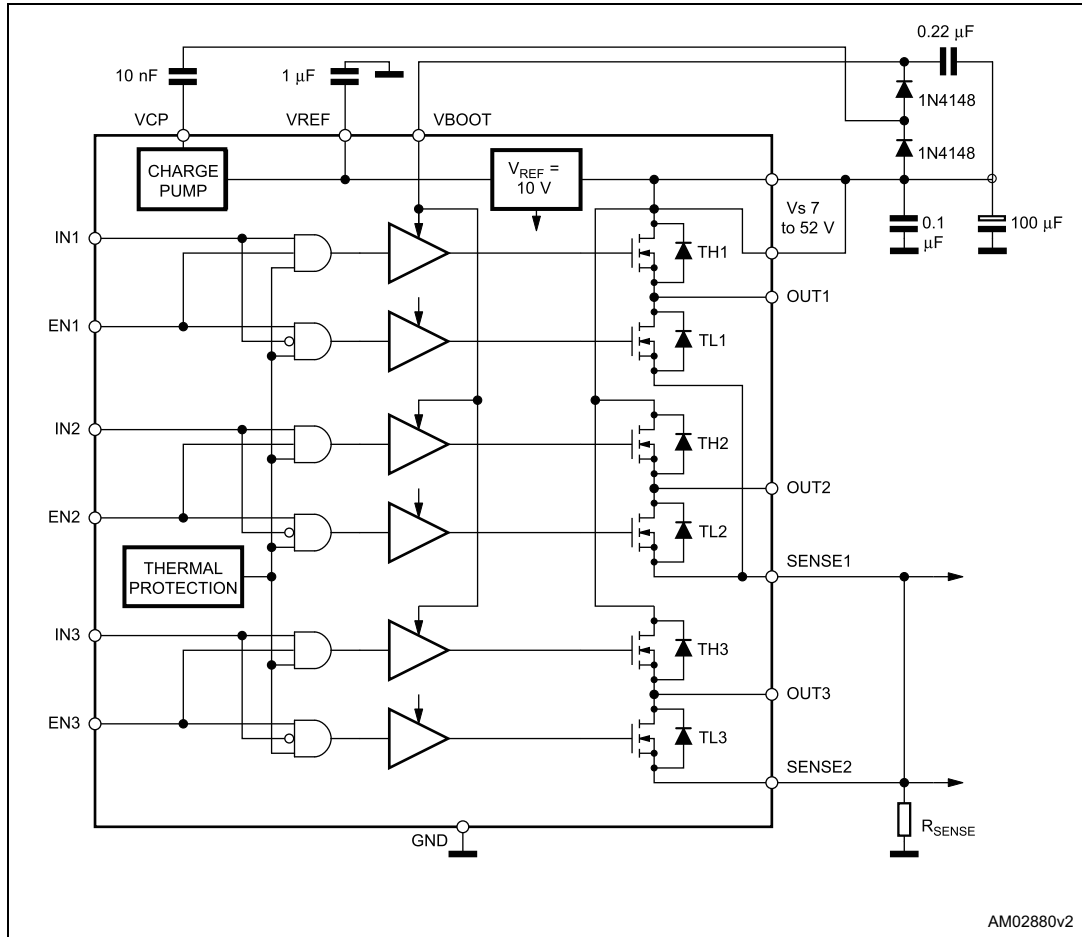
---

# Contents

<b>1</b>	<b>Block diagram</b> .....	<b>3</b>
<b>2</b>	<b>Pin connections</b> .....	<b>4</b>
<b>3</b>	<b>Thermal data</b> .....	<b>5</b>
<b>4</b>	<b>Maximum ratings</b> .....	<b>6</b>
	Recommended operating conditions .....	6
<b>5</b>	<b>Electrical characteristics</b> .....	<b>7</b>
<b>6</b>	<b>Circuit description</b> .....	<b>8</b>
<b>7</b>	<b>Typical characteristics</b> .....	<b>9</b>
<b>8</b>	<b>Package information</b> .....	<b>12</b>
	8.1 PowerSO20 package information .....	12
<b>9</b>	<b>Revision history</b> .....	<b>14</b>

# 1 Block diagram

Figure 1. Block diagram



## 2 Pin connections

Figure 2. Pin connections

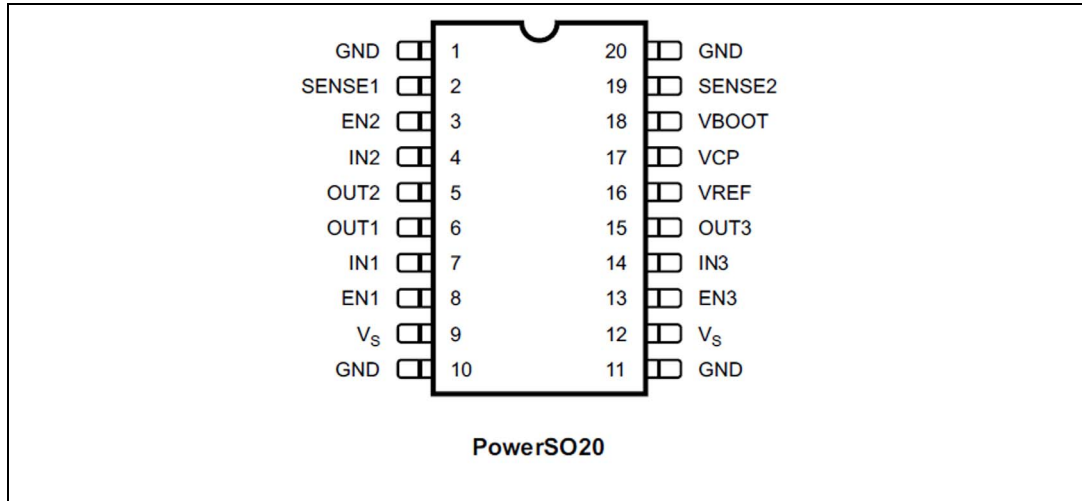


Table 2. Pin functions

Pin no.	Name	Function
1, 10 11, 20	GND	Common ground terminal. In the PowerSO package these pins are used to dissipate the heat forward the PCB.
2	SENSE1	A sense resistor connected to this pin provides feedback for motor current control for the bridges 1 and 2.
3 8 13	EN 2 EN 1 EN 3	Enable of the channels 1/2/3. A logic LOW level on this pin switches off both power DMOS of the related channel.
4 7 14	IN 2 IN 1 IN 3	Logic input of channels 1/2/3. A logic HIGH level (when the corresponding EN pin is HIGH) switches ON the upper DMOS power transistor, while a logic LOW switches ON the corresponding low side power DMOS.
5 6 15	OUT 2 OUT 1 OUT 3	Output of the channels 1/2/3.
9, 12	V <sub>s</sub>	Power supply voltage.
16	VREF	Internal voltage reference. A capacitor connected from this pin to GND increases the stability of the power DMOS drive circuit.
17	VCP	Bootstrap oscillator. Oscillator output for the external charge pump.
18	VBOOT	Overvoltage input to drive the upper DMOS
19	SENSE2	A sense resistor connected to this pin provides feedback for motor current control for the bridge 3.

### 3 Thermal data

**Table 3. Thermal data**

Symbol	Parameter	PowerSO20	Unit
$R_{th\ j-case}$	Thermal resistance junction case	1.5	°C/W

## 4 Maximum ratings

**Table 4. Absolute maximum ratings**

Symbol	Parameter	Value	Unit
$V_S$	Power supply voltage	52	V
$V_{IN}, V_{EN}$	Input enable voltage	- 0.3 to 7	V
$I_{peak}$	Pulsed output current <sup>(1)</sup>	5	A
$V_{SENSE}$	Sensing voltage (DC voltage)	-1 to 4	V
$V_{boot}$	Bootstrap peak voltage	62	V
$V_{OD}$	Differential output voltage (between any of the 3 OUT pins)	60	V
$f_C$	Commutation frequency	150	kHz
$V_{REF}$	Reference voltage	12	V
$P_{tot}$	Total power dissipation ( $T_A = 70\text{ °C}$ )	2.3	W
$T_{stg}, T_j$	Storage and junction temperature range	-40 to 150	°C

1. Pulse width limited only by junction temperature and the transient thermal impedance.

## Recommended operating conditions

**Table 5. Recommended operating conditions**

Symbol	Parameter	Value	Unit
$V_S$	Supply voltage	7 to 42	V
$V_{OD}$	Peak to peak differential voltage (between any of the 3 out pins)	52	V
$I_{out}$	DC output current ( $T_A = 25\text{ °C}$ )	4	A
$V_{SENSE}$	Sensing voltage (pulsed $t_w < 300\text{ nsec}$ )	-4 to 4	V
	Sensing voltage (DC)	-1 to 1	V
$T_j$	Junction temperature range	-40 to 125	°C

## 5 Electrical characteristics

$V_S = 42\text{ V}$ ;  $T_j = 25\text{ °C}$  unless otherwise specified.

**Table 6. Electrical characteristics**

Symbol	Parameter	Test condition	Min.	Typ.	Max.	Unit
$V_S$	Supply voltage	-	7	-	52	V
$V_{ref}$	Reference voltage	-	-	10	-	V
$I_S$	Quiescent supply current	-	-	6.5	-	mA
$T_S$	Thermal shutdown	-	150	-	-	°C
$T_D$	Dead time protection	-	-	300	-	ns
<b>Output DMOS transistor</b>						
$I_{DSS}$	Leakage current	-	-	-	1	mA
$R_{DSon}$	ON resistance	-	-	0.3	-	$\Omega$
<b>Source drain diode</b>						
$V_{SD}$	Forward ON voltage	$I_{SD} = 4\text{ A}$ ; EN = LOW	-	1.2	-	V
$T_{RR}$	Reverse recovery time	$I_F = 4\text{ A}$	-	900	-	ns
$T_{pr}$	Forward recovery time	-	-	200	-	ns
<b>Logic levels</b>						
$V_{INL}, V_{ENL}$	Input LOW voltage	-	-0.3	-	0.8	V
$V_{INH}, V_{ENH}$	Input HIGH voltage	-	2	-	7	V
$I_{INL}, I_{ENL}$	Input LOW current	$V_{IN}, V_{EN} = L$	-	-	-10	$\mu\text{A}$
$I_{INH}, I_{ENH}$	Input HIGH current	$V_{IN}, V_{EN} = H$	-	30	-	$\mu\text{A}$

## 6 Circuit description

The L6234 is a triple half bridge designed to drive brushless DC motors. Each half bridge has 2 power DMOS transistors with  $R_{DSon} = 0.3 \Omega$ .

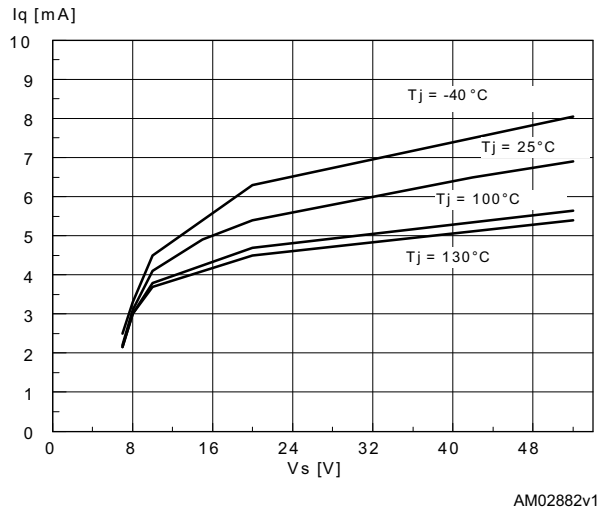
The 3 half bridges can be controlled independently by means of the 3 inputs IN1, IN2, IN3 and the 3 inputs EN1, EN2, and EN3. An external connection to the 3 common low side DMOS sources is provided to connect a sensing resistor for the constant current chopping application.

The driving stage and the logic stage are designed to work from 7 V to 52 V.

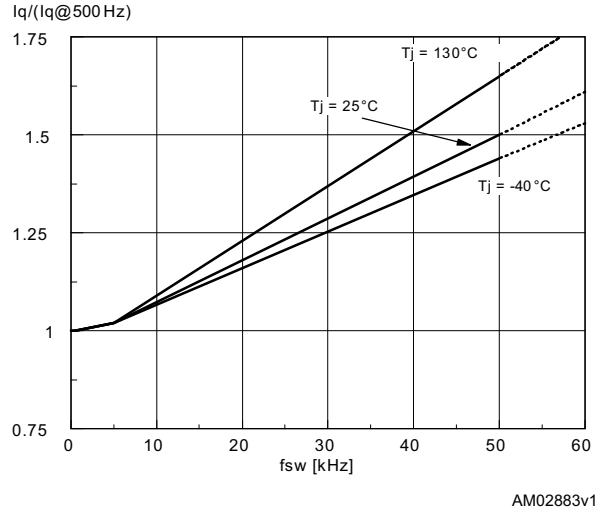


# 7 Typical characteristics

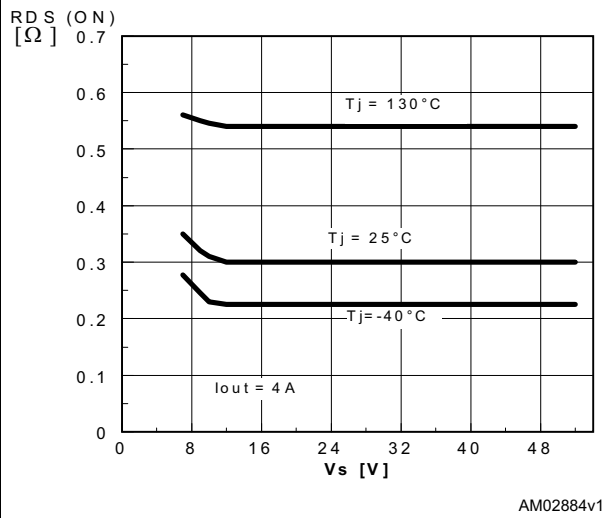
**Figure 3. Quiescent current vs. supply voltage**



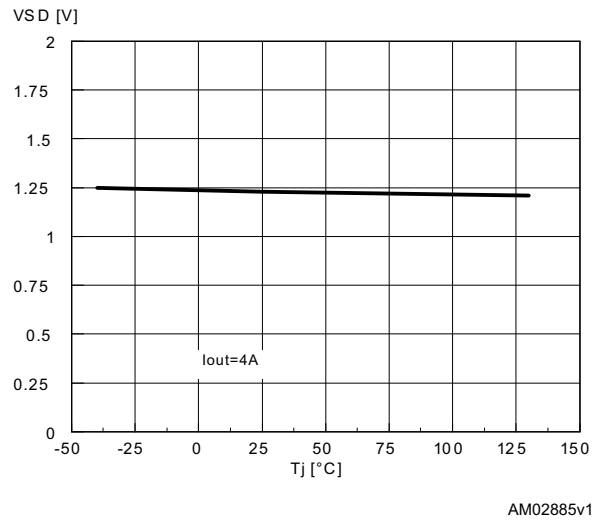
**Figure 4. Normalized quiescent current vs. switching frequency**



**Figure 5. Typical  $R_{DS(on)}$  vs. supply voltage**



**Figure 6. Source drain forward on voltage vs. junction temperature**



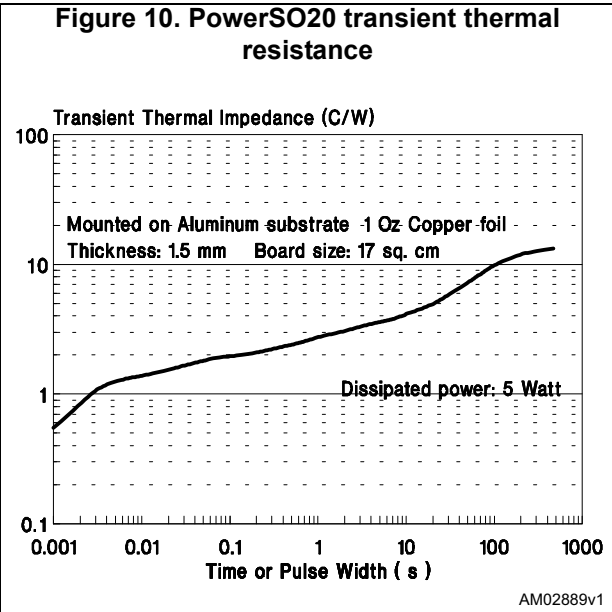
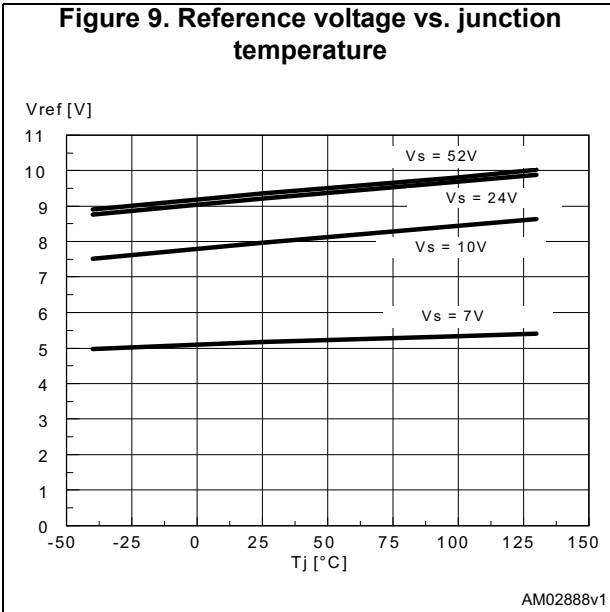
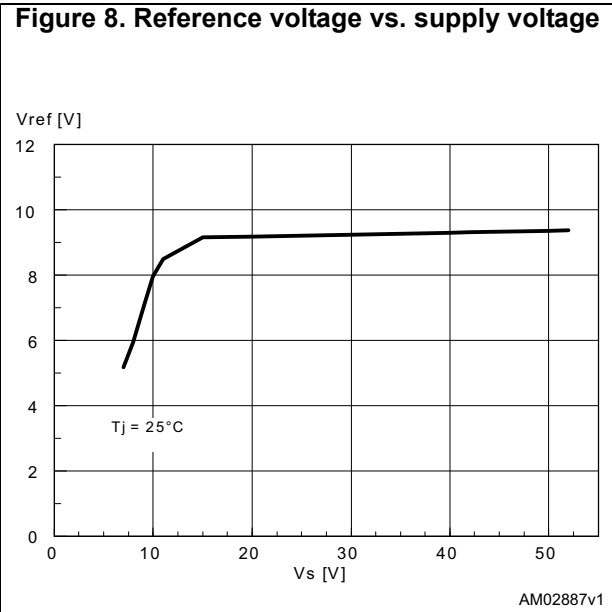
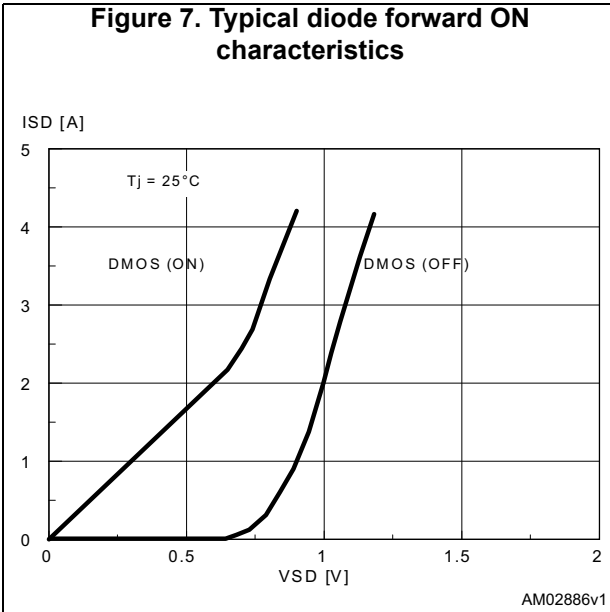


Figure 11. PowerSO20 thermal resistance (mounted on aluminium substrate)

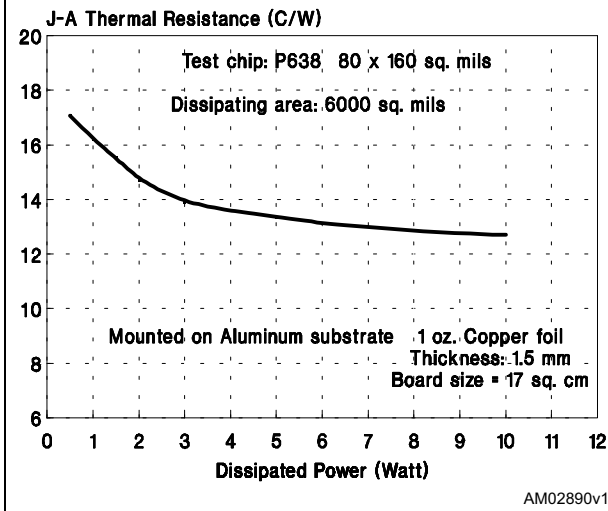


Figure 12. PowerSO20 thermal resistance (mounted on FR4 monolayer substrate)

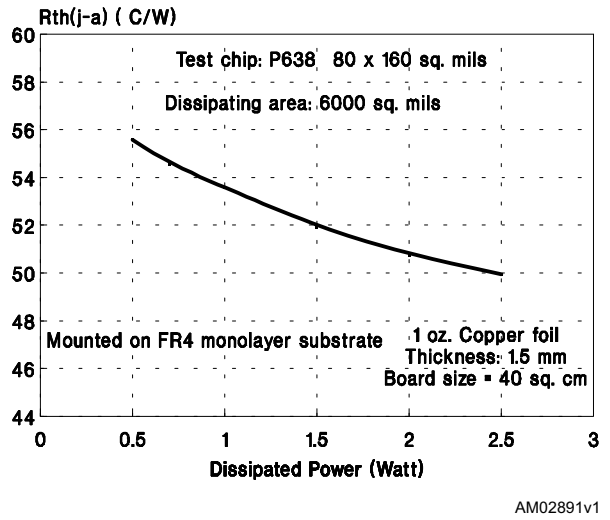


Figure 13. PowerSO20: with external heatsink

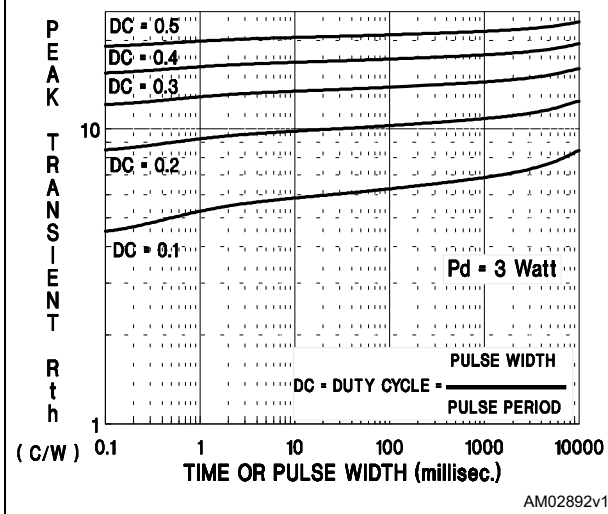
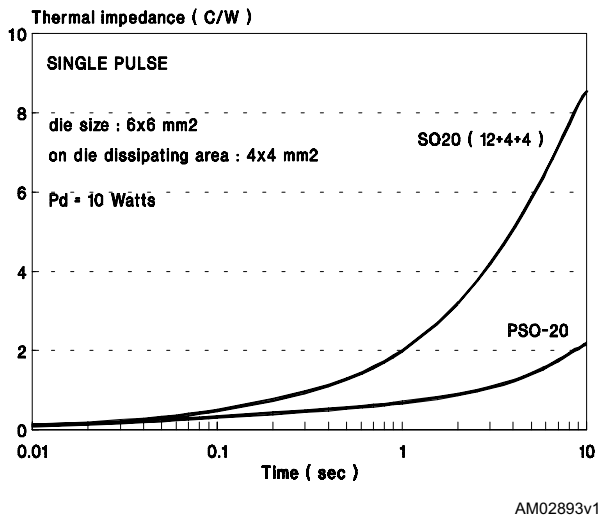


Figure 14. Thermal impedance of PowerSO20 and standard SO20



# 8 Package information

In order to meet environmental requirements, ST offers these devices in different grades of ECOPACK<sup>®</sup> packages, depending on their level of environmental compliance. ECOPACK<sup>®</sup> specifications, grade definitions and product status are available at: [www.st.com](http://www.st.com). ECOPACK<sup>®</sup> is an ST trademark.

## 8.1 PowerSO20 package information

Figure 15. PowerSO20 package outline

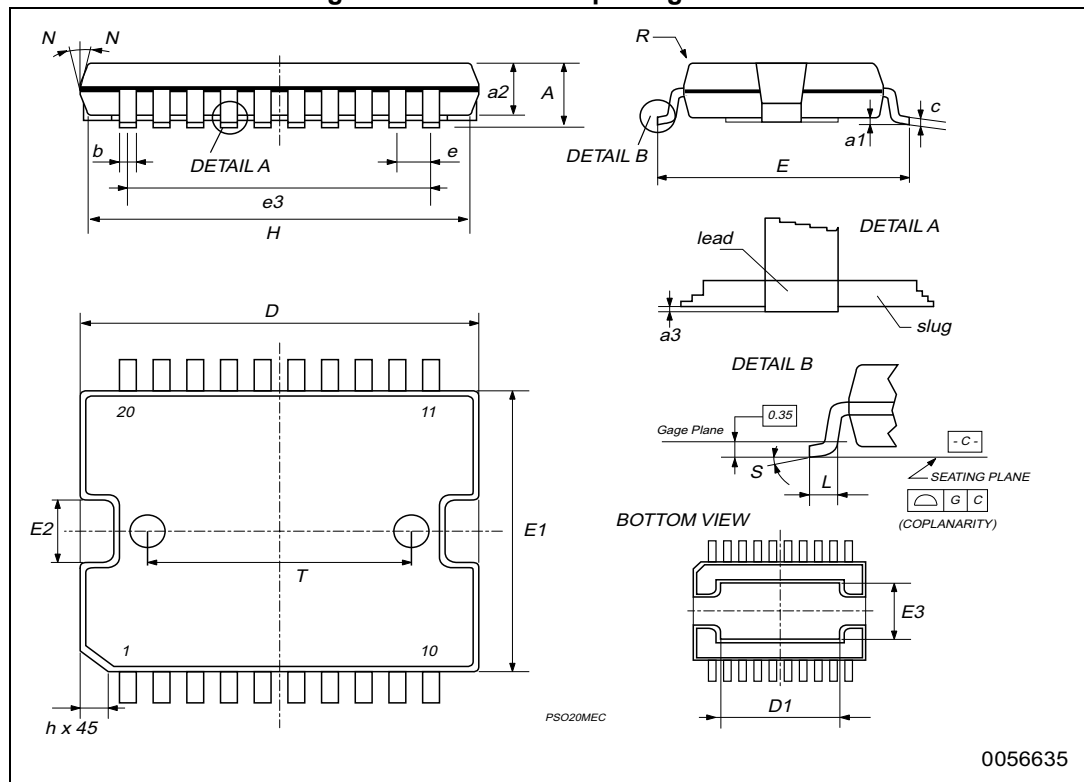


Table 7. PowerSO20 package mechanical data

Symbol	Dimensions (mm )		
	Min.	Typ.	Max.
A	-	-	3.6
a1	0.1	-	0.3
a2	-	-	3.3
a3	0	-	0.1
b	0.4	-	0.53
c	0.23	-	0.32
D <sup>(1)</sup>	15.8	-	16
D1	9.4	-	9.8
E	13.9	-	14.5
e	-	1.27	-
e3	-	11.43	-
E1 <sup>(1)</sup>	10.9	-	11.1
E2	-	-	2.9
E3	5.8	-	6.2
G	0	-	0.1
H	15.5	-	15.9
h	-	-	1.1
L	0.8	-	1.1
N	8° (typ.)		
S	8° (max.)		
T	-	10	-

1. "D" and "E1" do not include mold flash or protrusions.  
 - Mold flash or protrusions shall not exceed 0.15 mm (0.006").

## 9 Revision history

**Table 8. Document revision history**

Date	Revision	Changes
15-Nov-2011	10	Updated Features in coverpage and <i>Table 4</i> .
15-Mar-2017	11	Removed PowerDIP 20-pin package and all references throughout document. Updated <i>Figure 1 on page 3</i> (replaced by new figure). Added note <i>1.</i> below <i>Table 7 on page 13</i> . Minor modifications throughout document.

**IMPORTANT NOTICE – PLEASE READ CAREFULLY**

STMicroelectronics NV and its subsidiaries (“ST”) reserve the right to make changes, corrections, enhancements, modifications, and improvements to ST products and/or to this document at any time without notice. Purchasers should obtain the latest relevant information on ST products before placing orders. ST products are sold pursuant to ST’s terms and conditions of sale in place at the time of order acknowledgement.

Purchasers are solely responsible for the choice, selection, and use of ST products and ST assumes no liability for application assistance or the design of Purchasers’ products.

No license, express or implied, to any intellectual property right is granted by ST herein.

Resale of ST products with provisions different from the information set forth herein shall void any warranty granted by ST for such product.

ST and the ST logo are trademarks of ST. All other product or service names are the property of their respective owners.

Information in this document supersedes and replaces information previously supplied in any prior versions of this document.

© 2017 STMicroelectronics – All rights reserved

## X-ON Electronics

Largest Supplier of Electrical and Electronic Components

*Click to view similar products for [Motor/Motion/Ignition Controllers & Drivers](#) category:*

*Click to view products by [STMicroelectronics](#) manufacturer:*

Other Similar products are found below :

[FSB50550TB2](#) [FSBF15CH60BTH](#) [MSVCPM2-63-12](#) [MSVGW45-14-2](#) [MSVGW54-14-3](#) [MSVGW54-14-5](#) [NTE7043](#) [LA6565VR-TLM-E](#)  
[LB11650-E](#) [LB1837M-TLM-E](#) [LB1845DAZ-XE](#) [LC898300XA-MH](#) [SS30-TE-L-E](#) [26700](#) [LV8281VR-TLM-H](#) [BA5839FP-E2](#) [IRAM236-1067A](#) [LA6584JA-AH](#) [LB11847L-E](#) [AH293-PL-B](#) [TND315S-TL-2H](#) [FNA23060](#) [FSB50250AB](#) [FNA41060](#) [MSVB54](#) [MSVBTC50E](#)  
[MSVCPM3-54-12](#) [MSVCPM3-63-12](#) [MSVCPM4-63-12](#) [MSVTA120](#) [FSB50550AB](#) [NCV70501DW002G](#) [LC898301XA-MH](#) [LV8413GP-TE-L-E](#) [MSVGW45-14-3](#) [MSVGW45-14-4](#) [MSVGW45-14-5](#) [MSVGW54-14-4](#) [STK984-091A-E](#) [SLA7026M](#) [MP6519GQ-Z](#) [LB11651-E](#)  
[IRSM515-025DA4](#) [LV8127T-TLM-H](#) [MC33812EKR2](#) [NCP81382MNTXG](#) [TDA21801](#) [LB11851FA-BH](#) [NCV70627DQ001R2G](#)  
[LB1938FAGEVB](#)