

IO-Link communication master transceiver IC



VFQFPN 26L (3.5x5x1 mm)

Features

- Supply voltage from 18 V to 32.5 V
- Programmable output stages: high-side, low-side or push-pull (< 2 Ω)
- Up to 500 mA L+ protected high-side driver
- COM1, COM2 and COM3 mode supported
- Additional IEC61131-2 type 1 input
- Short-circuit and overcurrent output protection through current limitation and programmable cut-off current
- 3.3 V / 5 V, 50 mA linear regulator
- 5 mA IO-Link digital input
- Fast mode I²C for IC control, configuration and diagnostic
- Diagnostic dual LED sequence generator and driver
- 5 V and 3.3 V compatible I/Os
- Overvoltage protection (> 36 V)
- Overtemperature protection
- ESD protection
- Miniaturized VFQFPN 26L (3.5x5x1 mm) package

Applications

- Industrial sensors
- Factory automation
- Process control

Description

The L6360 is a monolithic IO-Link master port compliant with PHY2 (3-wire) supporting COM1 (4.8 kbaud), COM2 (38.4 kbaud) and COM3 (230.4 kbaud) modes. The C/Q_O output stage is programmable: high-side, low-side or push-pull; also cut-off current, cut-off current delay time, and restart delay are programmable. Cut-off current and cut-off current delay time, combined with thermal shutdown and automatic restart, protect the device against overload and short-circuit. C/Q_O and L+ output stages are able to drive resistive, inductive and capacitive loads. Inductive loads up to 10 mJ can be driven. Supply voltage is monitored and low voltage conditions are detected. The L6360 transfers, through the PHY2(C/Q_O pin), data received from a host microcontroller through the USART (IN C/Q_O pin), or to the USART (OUT C/Q_I pin) data received from PHY2 (C/Q_I pin). To enable full IC control, configuration and monitoring (i.e. fault conditions stored in the status register), the communication between the system microcontroller and the L6360 is based on a fast mode 2-wire I²C. The L6360 has nine registers to manage the programmable parameters and the status of the IC. Monitored fault conditions are: L+ line, overtemperature, C/Q overload, linear regulator undervoltage, and parity check. Internal LED driver circuitries, in open drain configuration, provide two programmable sequences to drive two LEDs.

Product status link

L6360

Product summary

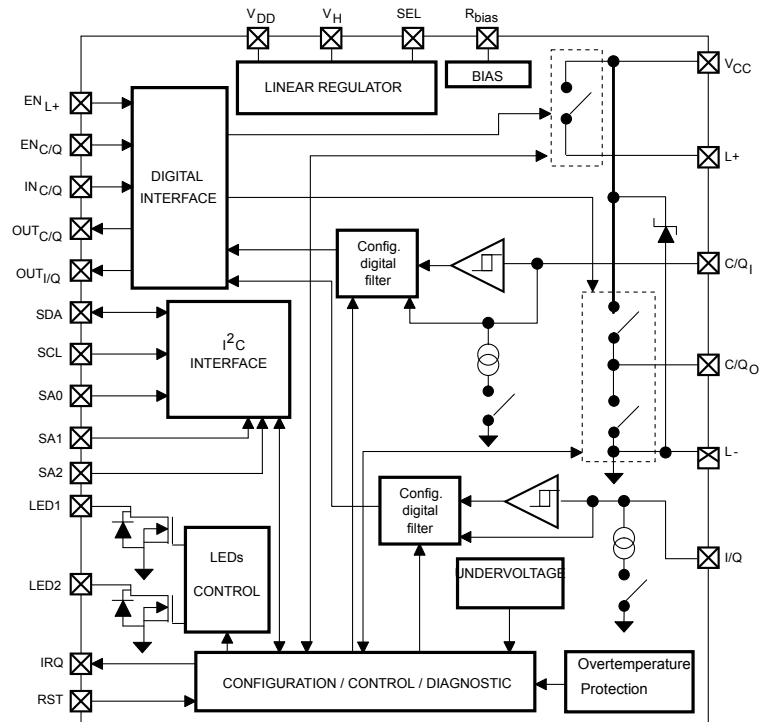
Order code	L6360TR
Package	VFQFPN 26L (3.5x5x1 mm)
Packing	Tape and reel

Product label



1 Block diagram

Figure 1. Block diagram



2 Pin configuration

Figure 2. Pin connection (top through view)

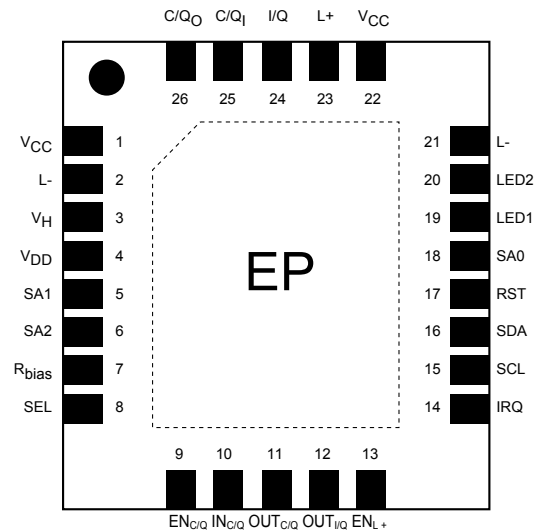


Table 1. Pin description

Number	Name	Function	Type
1, 22	V _{CC}	IC power supply	Supply
2, 21	L-	L- line (IC ground)	Supply
3	V _H	Linear regulator supply voltage	Supply
4	V _{DD}	Linear regulator output voltage	Output
5	SA1	Serial address 1	Input
6	SA2	Serial address 2	Input
7	R _{bias}	External resistor for internal reference generation	Input
8	SEL	Linear regulator 3.3 V/5 V voltage selection. Output is 5 V when SEL pin is pulled to GND	Input
9	EN _{C/Q}	C/Q output enable	Input
10	IN _{C/Q}	C/Q channel logic input	Input
11	OUT _{C/Q}	C/Q channel logic output	Output
12	OUT _{I/Q}	I/Q channel logic output	Output
13	EN _{L+}	L+ switch enable. When EN _{L+} is high the switch is closed	Input
14	IRQ	Interrupt request signal (open drain)	Output
15	SCL	Serial clock line	Input
16	SDA	Serial data line	Input/output
17	RST	Reset - active low	Input
18	SA0	Serial address 0	Input
19	LED1	Status/diagnostic LED (open drain)	Output
20	LED2	Status/diagnostic LED (open drain)	Output

Number	Name	Function	Type
23	L+	L+ line	Supply
24	I/Q	I/Q channel line	Input
25	C/Q _I	Transceiver (C/Q channel) line	Input
26	C/Q _O	Transceiver (C/Q channel) line	Output
EP	Exposed Pad	Connect to IC ground on the application board	-

3 Absolute maximum ratings

Table 2. Absolute maximum ratings

Symbol	Parameter	Value	Unit	
V_{CC}	Supply voltage	V_{CLAMP}	V	
V_{SEL}	Linear regulator selection pin voltage	-0.3 to 4		
V_{DD}	Linear regulator output voltage	5.5		
V_H	Linear regulator input voltage	V_{CC}		
$V_{SDA}, V_{SCL}, V_{SA0}, V_{SA1}, V_{SA2}$	I ² C voltage	-0.3 to $V_{DD} + 0.3$		
$V_{LED1,2}$	LED1,2 voltage	-0.3 to $V_{DD} + 0.3$		
$V_{C/QI}, V_{I/Q}$	C/Q _I , I/Q voltage	-0.3 to $V_{CC} + 0.3$		
V_{RST}	Reset voltage	-0.3 to $V_{DD} + 0.3$		
V_{IRQ}	IRQ voltage	-0.3 to $V_{DD} + 0.3$		
V_{Rbias}	External precision resistance voltage	-0.3 to 4		
V_{ESD}	Electrostatic discharge (human body model)	2000		
I_{CLAMP}	Current through V_{CLAMP} in surge test (1 kV, 500 Ω) condition	2		A
$I_{C/QO}, I_{L+}$	C/Q _O , L+ current (continuous)	Internally limited		A
$I_{OUTC/Q}, I_{OUTI/Q}$	OUT _{C/Q} , OUT _{I/Q} output current	±5	mA	
I_{SDA}	I ² C transmission data current (open drain pin)	10	mA	
I_{RQ}	Interrupt request signal current	2 ⁽¹⁾	A	
$I_{LED1,2}$	LED1, 2 current	10	mA	
E_{load}	L+ demagnetization energy	10	mJ	
P_{TOT}	Power dissipation at $T_C = 25\text{ °C}$	Internally limited	W	
P_{LR}	Linear regulator power dissipation	200	mW	
T_J	Junction operating temperature	Internally limited	°C	
T_{STG}	Storage temperature range	-55 to 150		

1. Peak value during fast transient test only.

4 Recommended operating conditions

Table 3. Recommended operating conditions

Symbol	Parameter	Min.	Typ.	Max.	Unit
V_{CC}	Supply voltage	18		32.5	V
V_H	Linear regulator input voltage	7		V_{CC}	V
f_{SCL}	SCL clock frequency			400	kHz
R_{bias}	Precision resistance	-0.1%	124	0.1%	k Ω
T_J	Junction temperature	-40		125	$^{\circ}C$

Table 4. Thermal data

Symbol	Parameter	Typ.	Unit
$R_{thj-case}$	Thermal resistance, junction-to-case	6	$^{\circ}C/W$
$R_{thj-amb}$	Thermal resistance, junction-to-ambient ⁽¹⁾	50	$^{\circ}C/W$

1. Mounted on FR4 PCB with 2 signal Cu layers and 2 power Cu layers interconnected through vias.

5 Electrical characteristics

(18 V < V_{CC} < 30 V; -40 °C < T_J < 125 °C; V_{DD} = 5 V; unless otherwise specified).

Table 5. Supply

Symbol	Parameter	Test conditions	Min.	Typ.	Max.	Unit
V _{CLAMP}	Voltage clamp	I = 5 mA	36			V
V _{UV}	Undervoltage on threshold		16	17	18	V
V _{UVH}	Undervoltage hysteresis		0.3	1		V
V _{REGLN5H}	Linear regulator undervoltage high threshold	SEL = L	4.3		4.7	V
V _{REGLN5L}	Linear regulator undervoltage low threshold	SEL = L	3.6		4.2	
V _{REG5HYS}	Linear regulator undervoltage hysteresis	SEL = L	0.1			
V _{REGLN33H}	Linear regulator undervoltage high threshold	SEL = H	2.8		3.1	V
V _{REGLN33L}	Linear regulator undervoltage low threshold	SEL = H	2.5		2.7	
V _{REG33HYS}	Linear regulator undervoltage hysteresis	SEL = H	0.1			V
V _{QTHH}	C/Q ₁ and I/Q upper voltage threshold		10.5		12.9	V
V _{QTHL}	C/Q ₁ and I/Q lower voltage threshold		8		11.4	V
V _{QHYS}	C/Q and I/Q hysteresis voltage		1			V
V _{demag}	L+ demagnetization voltage	I = 5 mA	-8.5	-6.5	-4.8	V
V _{fHS}	C/Q high-side freewheeling diode forward voltage	I = 10 mA		0.5		V
V _{fLS}	C/Q low-side freewheeling diode forward voltage	I = 10 mA		0.5		V
V _{LTHOFF}	L+ line diagnostic lower threshold		9	10	11	V
V _{LTHY}	L+ line diagnostic hysteresis		0.1	1		V
V _{LTHON}	L+ line diagnostic upper threshold		10	11	12	V
I _S	Supply current	OFF-state		100		μA
		ON-state V _{CC} at 32.5 V		4		mA
I _{OFFCQ}	OFF-state C/Q _O current	EN _{C/Q} = 0, V _{C/Q} = 0 V			1	μA
I _{COQ}	C/Q _O low- and high-side cut-off current	Programmable	70	115	190	mA
			150	220	300	
			290	350	440	
			430	580	720	
I _{LIMQ}	C/Q _O low- and high-side limitation current		500		1600	mA
I _{OFFL}	L+ OFF-state current	EN _{L+} = 0, V _{L+} = 0 V	0		200	μA
I _{COL}	L+ cut-off current		480	580	730	mA
I _{LIML}	L+ limitation current		500		1600	mA
I _{INC/Qi}	C/Q ₁ pull-down current	Programmable	5		6.5	mA
			2		3.3	mA
I _{INI/Q}	I/Q pull-down current		2		3	mA
R _{ONL}	L+ high-side ON-state resistance	I _{OUT} = 0.2 A at T _J = 25 °C		1		Ω

Symbol	Parameter	Test conditions	Min.	Typ.	Max.	Unit
R _{ONL}	L+ high-side ON-state resistance	I _{OUT} = 0.2 A at T _J = 125 °C			2	Ω
R _{ONCQH}	C/Q _O high-side ON-state resistance	I _{OUT} = 0.2 A at T _J = 25 °C		1		Ω
		I _{OUT} = 0.2 A at T _J = 125 °C			2	Ω
R _{ONCQL}	C/Q _O low-side ON-state resistance	I _{OUT} = 0.2 A at T _J = 25 °C		0.6		Ω
		I _{OUT} = 0.2 A at T _J = 125 °C			1.2	Ω
t _{dINC/Q}	I _N C/Q to C/Q _O propagation delay time	Push-pull (CQ _O rising edge)		140		ns
		Push-pull (CQ _O falling edge)		160		ns
t _{dENC/Q}	E _N C/Q to C/Q _O propagation delay time	Push-pull (CQ _O rising edge)		110		ns
		Push-pull (CQ _O falling edge)		225		ns
t _{rPP}	C/Q rise time in push-pull configuration	10% to 90%	250		860	ns
t _{fPP}	C/Q fall time in push-pull configuration	10% to 90%	290		860	ns
t _{rHS}	C/Q rise time in high-side configuration			410		ns
t _{fHS}	C/Q fall time in high-side configuration			700		ns
t _{rLS}	C/Q rise time in low-side configuration			750		ns
t _{fLS}	C/Q fall time in low-side configuration			530		ns
t _{ENL}	ENL to L+ propagation delay time			1		μs
t _{rL+}	L+ rise time			3		μs
t _{fL+}	L+ fall time			25		μs
t _{dC/Qi}	C/Q _I to OUT _{C/Q} (falling) propagation delay time			40		ns
	C/Q _I to OUT _{C/Q} (rising) propagation delay time			100		ns
t _{dI/Q}	I/Q to OUT _{I/Q} (falling) propagation delay time			40		ns
	I/Q to OUT _{I/Q} (rising) propagation delay time			100		ns
t _{dcoq}	C/Q _O low- and high-side cut-off current delay time	Programmable		100		μs
				150		μs
				200		μs
				250		μs
t _{rcoq}	C/Q _O restart delay time	Programmable		255 × t _{dcoq}		μs
				Latched		
t _{dbq}	C/Q _I debounce time	Programmable		0		μs
				5		
				20		
				100		
t _{dbi}	I/Q debounce time	Programmable		0		μs
				5		
				20		
				100		
t _{dcol}	L+ cut-off current delay time	Programmable		500		μs
				0		
t _{rcol}	L+ restart delay time	Programmable		64		ms

Symbol	Parameter	Test conditions	Min.	Typ.	Max.	Unit
t_{rcol}	L+ restart delay time	Programmable		Latched		
T_{JSD}	Junction temperature shutdown			150		°C
T_{JHYST}	Junction temperature thermal hysteresis			20		°C
T_{JRST}	Junction temperature restart threshold			130		°C

1. Unlatch through I²C communication.

Table 6. Electrical characteristics - linear regulator

Symbol	Parameter	Test conditions	Min.	Typ.	Max.	Unit
V_{DD}	Linear regulator output voltage	SEL = L	4.84	5	5.13	V
		SEL = H	3.22	3.3	3.37	V
I_{LIMR}	Linear regulator output current limitation		65			mA

Table 7. Electrical characteristics - logic inputs and outputs

Symbol	Parameter	Test conditions	Min.	Typ.	Max.	Unit
V_{IL}	Input low-level voltage				0.8	V
V_{IH}	Input high-level voltage		2.2			V
V_{IHIS}	Input hysteresis voltage			0.2		V
I_{IN}	Input current	$V_{\text{IN}} = 5 \text{ V}$			1	μA
V_{OL}	Output low-level voltage	$I_{\text{OUT}} = -2 \text{ mA}$			0.5	V
V_{OH}	Output high-level voltage	$I_{\text{OUT}} = 2 \text{ mA}$	$V_{\text{DD}} - 0.5 \text{ V}$			V
V_{LIRQ}	Open drain output low-level voltage	$I_{\text{OUT}} = 2 \text{ mA}$			0.5	V

Table 8. Electrical characteristics - LED driving

Symbol	Parameter	Test conditions	Min.	Typ.	Max.	Unit
$V_{\text{LED1,2}}$	Open drain output low-level voltage	$I_{\text{LED}} = 2 \text{ mA}$			0.5	V
I_{LED}	LED1, 2 leakage current	$V_{\text{LED1}} = V_{\text{LED2}} = 5 \text{ V}$		3		nA

Table 9. Electrical characteristics - I2C (fast mode)

Symbol	Parameter	Test conditions	Min.	Max.	Unit
$V_{\text{IL(SDA)}}$	SDA high level input voltage			0.3	V

Symbol	Parameter	Test conditions	Min.	Max.	Unit
$V_{IH(SDA)}$	SDA high level input voltage		$0.7 \times V_{DD}$		V
$V_{IL(SCL)}$	SCL low level input voltage			0.3	V
$V_{IH(SCL)}$	SCL high level input voltage		$0.7 \times V_{DD}$		V
I_{IN}	I ² C SDA, SCL input current	$(0.1 \times V_{DD}) < V_{IN} < (0.9 \times V_{DD})$	-10	10	μA
$t_{r(SDA)}$	I ² C SDA rise time		$20 + 0.1 C_b$	300	ns
$t_{r(SCL)}$	I ² C SCL rise time		$20 + 0.1 C_b$	300	ns
$t_{f(SDA)}$	I ² SDA fall time		$20 + 0.1 C_b$	300	ns
$t_{f(SCL)}$	I ² C SCL fall time		$20 + 0.1 C_b$	300	ns
$t_{su(SDA)}$	SDA set-up time		100		ns
$t_{h(SDA)}$	SDA hold time			0.9	μs
$t_{su(STA)}$	Repeated start condition setup		0.6		μs
$t_{su(STO)}$	Top condition set-up time		0.6		μs
$t_{w(START/STOP)}$	Stop to start condition time (bus free)		1.3		μs
$t_{w(SCLL)}$	SCL clock low time		1.3		μs
$t_{w(SCLH)}$	SCL clock high time		0.6		μs
C_b	Capacitance for each bus line			400	pF
C_I	Capacitance for each I/O pin			10	pF

Note: Values based on standard I²C protocol requirement.

Figure 3. Rise/fall time test setup

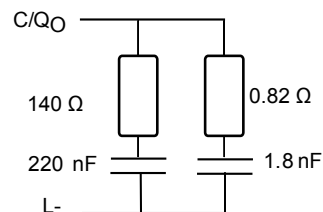
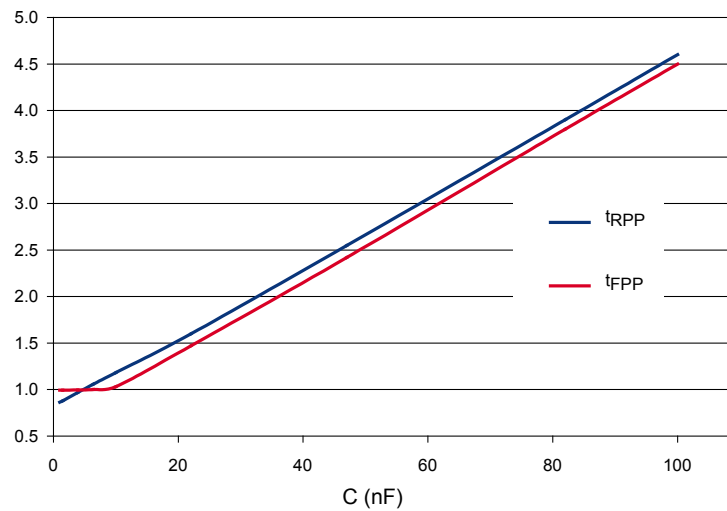


Figure 4. Normalized rise and fall time vs. output capacitor value (typ. values in push-pull configuration)

Table 10. Main parameter typical variations vs. +/- 1% variation of R_{bias} value

Symbol	Parameter	Typ. variation vs. R _{bias}		
		R _{bias} [kΩ]		
		122.74	124	125.24
I _s	Supply current	0.76%	0	-0.50%
I _{INC/Qi}	Input current C/Q _i pin (5.5 mA)	0.93%	0	-0.93%
I _{INC/Qi}	Input current C/Q _i pin (2.5 mA)	0.75%	0	-1.13%
I _{INI/Q}	Input current I/Q pin (2.5 mA)	0.85%	0	-0.85%
t _{dcoq}	C/Q _O low- and high-side cut-off current delay time	-2.44%	0	2.00%
I _{COQ}	C/Q _O low- and high-side cut-off current (115 mA)	1.19%	0	-1.28%
t _{dcol}	L+ cut-off current delay time (500 μs)	-0.95%	0	0.47%
I _{COL}	L+ cut-off current	1.36%	0	-0.91%
t _{rcol}	L+ restart delay time	-0.93%	0	0.97%
V _{UV}	Undervoltage ON-threshold	0.00%	0	0.00%
V _{DD}	Linear regulator output voltage (3.3 V)	-0.03%	0	0.03%
V _{DD}	Linear regulator output voltage (5 V)	-0.02%	0	0.02%
I _{LIMQ}	C/Q _O high-side limitation current	0.64%	0	-0.71%
I _{LIMQ}	C/Q _O low-side limitation current	0.28%	0	-1.47%
I _{LIML}	L+ limitation current	0.47%	0	-2.09%
V _{QTHH}	C/Q _i and I/Q upper voltage threshold	0.00%	0	0.00%
V _{QTHL}	C/Q _i and I/Q lower voltage threshold	0.00%	0	0.00%
V _{QHY}	C/Q and I/Q hysteresis voltage	0.00%	0	0.00%
t _{rPP}	C/Q rise time in push-pull configuration	-1.59%	0	1.18%

Symbol	Parameter	Typ. variation vs. R_{bias}		
		R_{bias} [k Ω]		
		122.74	124	125.24
t_{fPP}	C/Q fall time in push-pull configuration	-2.14%	0	0.94%
$t_{dINC/Q}$	$IN_{C/Q}$ to C/Q_O propagation delay time (rising)	-1.44%	0	0.75%
$t_{dINC/Q}$	$IN_{C/Q}$ to C/Q_O propagation delay time (falling)	-2.36%	0	0.18%
$t_{dC/Qi}$	C/Q_I to $OUT_{C/Q}$ propagation delay time (rising)	0.49%	0	1.13%
$t_{dC/Qi}$	C/Q_I to $OUT_{C/Q}$ propagation delay time (falling)	1.82%	0	0.03%
t_{dbq}	C/Q_I debounce time (100 μ s)	-1.76%	0	1.50%
t_{dcoq}	C/Q_O low- and high-side cut-off current delay time (200 μ s)	-1.27%	0	2.00%
I_{COQ}	C/Q_O low-side cut-off current (220 mA)	0.39%	0	-1.56%
I_{COQ}	C/Q_O low-side cut-off current (350 mA)	0.36%	0	-1.43%
I_{COQ}	C/Q_O low-side cut-off current (580 mA)	0.65%	0	-1.72%
t_{rcoq}	C/Q_O restart delay time	-0.90%	0	0.97%
I_{COQ}	C/Q_O high-side cut-off current (220 mA)	0.84%	0	-0.84%
I_{COQ}	C/Q_O high-side cut-off current (350 mA)	1.38%	0	-0.69%
I_{COQ}	C/Q_O high-side cut-off current (580 mA)	1.08%	0	-1.08%

6 Device configuration

SDA and SCL configure the L6360 device through I²C.

6.1 Introduction

The I²C bus interface serves as an interface between the microcontroller and the serial I²C bus. It provides single master functions, and controls all I²C bus-specific sequencing, protocol and timing. It supports fast I²C mode (400 kHz).

6.2 Main features

- Parallel bus/I²C protocol converter
- Interrupt generation
- Fast I²C mode
- 7-bit addressing

6.3 General description

In addition to receiving and transmitting data, this interface converts it from serial to parallel format and vice versa. The interface is connected to the I²C bus by a data pin (SDA) and a clock pin (SCL).

6.4 SDA/SCL line control

SDA is a bi-directional line, SCL is the clock input. SDA should be connected to a positive supply voltage via a current-source or pull-up resistor. When the bus is free, both lines are HIGH. The output stages of the devices connected to the bus must have an open drain or open collector output to perform the wired AND function. Data on the I²C bus can be transferred to rates up to 400 Kbit/s in fast mode. The number of interfaces connected to the bus is limited by the bus capacitance. For a single master application, the master's SCL output can be a push-pull driver provided that there are no devices on the bus which would stretch the clock. Transmitter mode: the microcontroller interface holds the clock line low before transmission. Receiver mode: the microcontroller interface holds the clock line low after reception. When the I²C microcontroller cell is enabled, the SDA and SCL ports must be configured as floating inputs. In this case, the value of the external pull-up resistors used depends on the application. When the I²C microcontroller cell is disabled, the SDA and SCL ports revert to being standard I/O port pins. On the L6360, the SDA output is an open drain pin.

6.5 Mode selection

Possible data transfer formats are:

- The master transmitter transmits to the slave receiver. The transfer direction is not changed
- The slave receiver acknowledges each byte
- The master reads data from the slave immediately after the first byte (see Fig 6 A [master reads data from the slave immediately after the first byte](#)). At the moment of the first acknowledge, the master transmitter becomes a master receiver and the slave receiver becomes a slave transmitter

This first acknowledge is still generated by the slave. Subsequent acknowledges are generated by the master. The STOP condition is generated by the master which sends a not-acknowledge (A) just prior to the STOP condition.

Figure 5. A master transmitter addressing a slave receiver with a 7-bit address (the transfer is not changed)

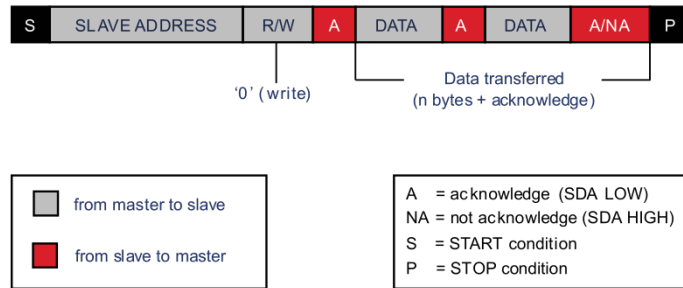
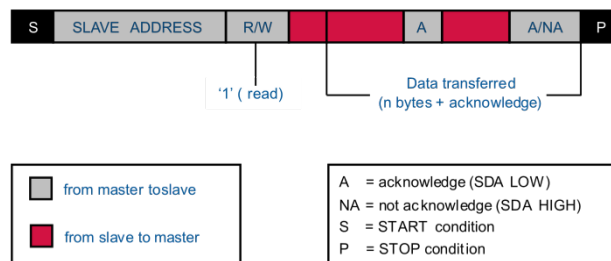


Figure 6. A master reads data from the slave immediately after the first byte



On the microcontroller, the interface can operate in the two following modes:

- Master transmitter/receiver
- Idle mode (default state)

The microcontroller interface automatically switches from idle to master receiver after it detects a START condition and from master receiver to idle after it detects a STOP condition. On the L6360 the interface can operate in the two following modes:

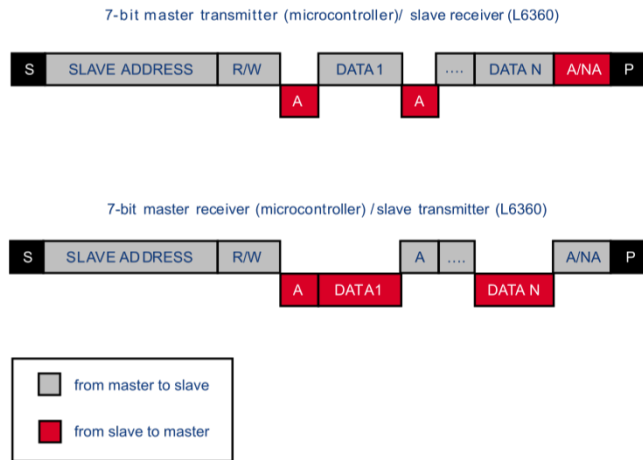
- Slave transmitter/receiver
- Idle mode (default state)

The interface automatically switches from idle to slave transmitter after it detects a START condition and from slave transmitter to idle after it detects a STOP condition.

6.6 Functional description

By default, the I²C microcontroller interface operates in idle; to switch from default idle mode to master mode a START condition generation is needed. The transfer sequencing is shown in the picture below.

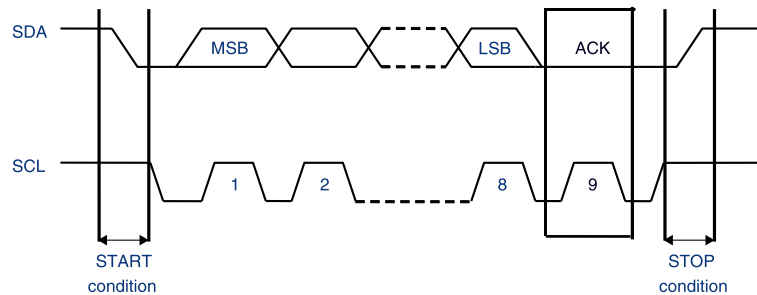
Figure 7. Transfer sequencing



6.7 Communication flow

The communication is managed by the microcontroller that generates the clock signal. A serial data transfer always begins with a START condition and ends with a STOP condition. Data is transferred as 8-bit bytes, MSB first. The first byte following the START condition contains the address (7 bits). The 9th clock pulse follows the 8th clock cycle of a byte transfer, during which the receiver must send an acknowledge bit to the transmitter.

Figure 8. I²C communication



Each byte is followed by an acknowledgment bit as indicated by the A or A blocks in the sequence. A START condition immediately followed by a STOP condition (void message) is a prohibited format.

6.8 I²C address

Each I²C connected to the bus is addressable by a unique address. The I²C address is 7 bits long, and there is a simple master/slave relationship. The LSB of the L6360 address can be programmed by means of dedicated IC pins (SA0, SA1 and SA2, which can be hard wired to V_{DD} or GND, or handled by μ C outputs): the microcontroller can interface up to 8 L6360 ICs. The I²C inside the device has 5 pins:

- SDA: data
- SCL: clock
- SA0: LSB of the L6360 address
- SA1: bit 1 of the L6360 address
- SA2: bit 2 of the L6360 address

The I²C L6360 IC address is:

- Fixed part (4 MSBits): set to "1100"
- Programmable part (3 LSBits) by hardware: from "000 to 111" connecting SAx pins to GND or VDD

In the L6360 the SDA is an open drain pin.

6.9 Internal registers

The L6360 has some internal registers to perform control, configuration, and diagnostic operations. These registers are listed below:

- Status register
- Configuration register
- Control register 1
- Control register 2
- LED1 register MSB
- LED1 register LSB
- LED2 register MSB
- LED2 register LSB
- Parity register

Each register is addressable as follows:

Table 11. Register addresses

Address	Register name
0000	Status register
0001	Configuration register
0010	Control register 1
0011	Control register 2
0100	LED1 MSB
0101	LED1 LSB
0110	LED2 MSB
0111	LED2 LSB
1000	Parity register

Status register

Read only

Reset value: [00000000]

Figure 9. Status register

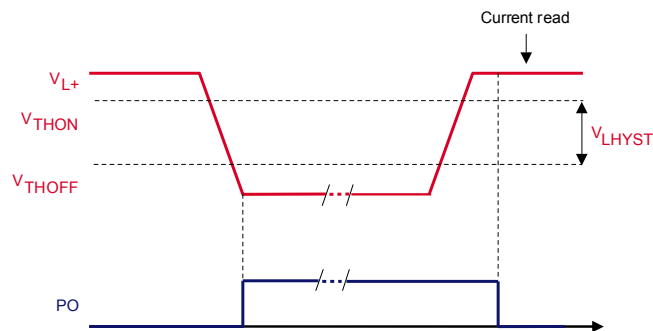


The status register stores diagnostic information. It can be read to check the status of the run-time of the device (faults, warning, transmission corrupted, etc.). When a fault condition occurs, a bit (corresponding to the fault condition) in the status register is set and an interrupt (via the IRQ pin) is generated. If there is no persistent fault condition, the status register is cleared after a successful current read.

Bit 7 = PO: Power-on (L+ line)

This bit indicates the status of L+ line voltage. If the voltage goes under the lower threshold (V_{LTHOFF}) and EN_{L+} is high, the PO bit is set. It is reset after a successful current read if the L+ voltage has returned above the upper threshold V_{LTHON} and the read operation has begun after the bit has been set. When the PO bit is high, IRQ is generated. During EN_{L+} transition (from low-level to high-level) and during L+ line voltage transition, a fault condition is reported setting the PO bit and activating the IRQ pin. To reset the fault a successful current read is necessary.

Figure 10. Power-on bit behavior

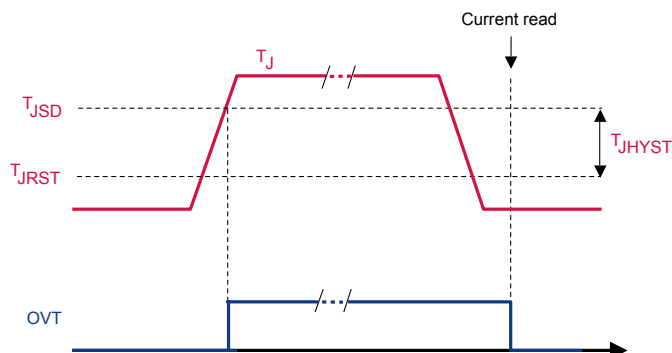


Bit 6 = not used: always at zero

Bit 5 = OVT: overtemperature fault

This bit indicates the status of the IC internal temperature. If the temperature goes above the thermal shutdown threshold ($T > T_{JSD}$) the OVT bit is set. It is reset after a successful current read if the temperature has returned below the thermal restart threshold ($T_{JDS} - T_{JHYST}$) and the read operation has begun after the bit has been set. When OVT bit is high, the power outputs are disabled and IRQ is generated.

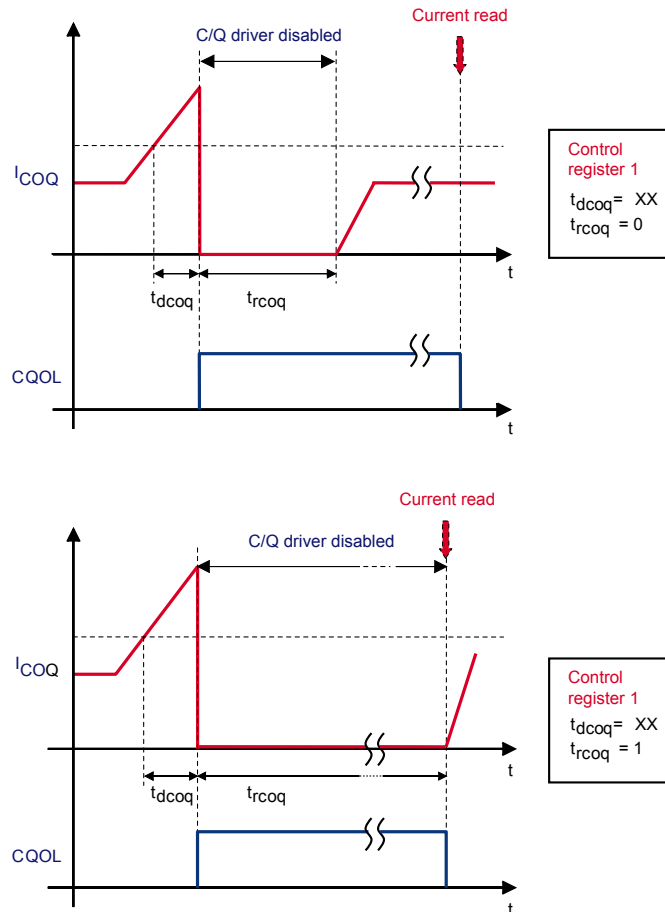
Figure 11. Overtemperature (OVT) bit behavior



Bit 4 = CQOL: C/Q overload

This bit is set if a cut-off occurs on the C/Q channel. It is reset after a successful current read if the restart delay time (t_{rcoq}) has elapsed or the protection is latched (bit $t_{rcoq} = 1$). The read operation should begin after the CQOL bit has been set. When CQOL bit is high, IRQ is generated. When CQOL bit is high and the protection is latched (bit $t_{rcoq} = 1$ in control register 1), the C/Q power output is disabled. See next figure.

Figure 12. Cut-off behavior



Bit 3 = LOL: L+ overload

This bit is set if a cut-off occurs on the L+ driver. It is reset after a successful current read if the restart delay time (t_{rcoq}) has elapsed or the protection is latched (bit $t_{rcoq} = 1$ in control register 2). The read operation should begin after the LOL bit has been set. When LOL bit is high, IRQ is generated. When LOL bit is high and the protection is latched (bit $t_{rcoq} = 1$ in control register 2), the L+ power output is disabled. The behavior is the same as the C/Q driver (see fig 12 Cut-off behavior).

Bit 2 = not used: always at zero

Bit 1 = REG LN: linear regulator undervoltage fault

This bit is set in case of undervoltage of the linear regulator output (V_{REGLNL}). It is reset after a successful current read if the linear regulator output has returned to normal operation and the read operation has begun after the bit has been set. When REGLN bit is high, IRQ is generated.

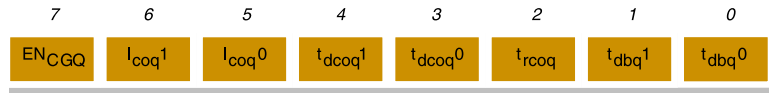
Bit 0 = PE: parity check error

This flag is set if parity error occurs.

Control register 1

Read/write

Reset value: [00100001]

Figure 13. Control register 1


The control register holds the parameters to control the L6360.

 Bit 7 = ENCGQ: C/Q₁ pull-down enable

Table 12. ENCGQ: C/Q pull-down enable

ENCGQ	Pull-down generator status	
0		Always OFF
1	If EN _{C/Q} = 0	ON
	If EN _{C/Q} = 1	OFF

 Bit 6:5 = I_{COQ} [1:0]: C/Q_O HS and LS cut-off current

This bit is used to configure the cut-off current value on the C/Q channel, as shown in the table below.

Table 13. I_{COQ}: C/Q_O HS and LS cut-off current

I _{coq} [1]	I _{coq} [0]	Typ.
0	0	115 mA
0	1	220 mA
1	0	350 mA
1	1	580 mA

 Bit 4:3 = t_{dc0q} [1:0]: C/Q_O HS and LS cut-off current delay time

 The channel output driver is turned off after a delay (t_{dc0q}) programmable by means of these two bits.

Table 14. t_{dc0q}: C/Q_O HS and LS cut-off current delay time

t _{dc0q} [1]	t _{dc0q} [0]	Typ.
0	0	100 μs
0	1	150 μs
1	0	200 μs
1	1	250 μs ⁽¹⁾

1. According to power dissipation at 2 kHz switching, C < 1 μF and power dissipation 0.7 W.

 Bit 2 = t_{rc0q}: C/Q_O restart delay time

 After a cut-off event, the channel driver automatically restarts after a delay (t_{rc0q}) programmable by means of this bit.

Table 15. t_{rcoq} : C/Q_O restart delay time

t_{rcoq}	Typ.
0	255x t_{dcoq}
1	Latched ⁽¹⁾

1. Unlatch through I²C communication (reading or writing any internal register).

Bit 1:0 = t_{dbq} [1:0]: C/Q_I debounce time

Debounce time is the minimum time that data must be in a given state after a transition. It is a programmable time, and can be configured as shown in the table below.

Table 16. t_{dbq} : C/Q_I debounce time

$t_{dbq}[1]$	$t_{dbq}[0]$	Typ.
0	0	0 μ s
0	1	5 μ s
1	0	20 μ s
1	1	100 μ s

Control register 2

Read/write

Reset value: [0x100001]

Figure 14. Control register 2


The control register holds the parameters to control the L6360.

Bit 7 = EN_{CGI}: I/Q pull-down enable

Table 17. EN_{CGI}: I/Q pull-down enable

EN _{CGI}	Pull-down generator status
0	Always OFF
1	Always ON

Bit 5 = CQ_{PDG}: C/Q pull-down generator switching

In order to reduce consumption, it is possible to switch from default to low-power configuration by resetting the CQ_{PDG} bit.

Table 18. CQ_{PDG}: C/Q pull-down generator switching

CQ _{PDG}	Pull-down generator status
0	$I_{IN/QI}$ (input current C/Q _I pin) = 2.5 mA
1	$I_{INC/QI}$ (input current C/Q _I pin) = 5.5 mA

Bit 4 = L_{+COD}: L+ cut-off disable

The cut-off function on the L+ switch can be enabled or disabled according to the L+_{COB} bit.

Table 19. L+_{COB}: L+ cut-off disable

L+ _{COB}	L+ cut-off current status
0	Enabled
1	Disabled

As the cut-off function is intended to protect the integrated switches against overload and short-circuit, disabling the cut-off is not recommended.

Bit 3 = t_{DCOL} : L+ cut-off current delay time

The channel output driver is turned off after a delay (t_{DCOL}) programmable by this bit.

Table 20. t_{DCOL} : L+ HS cut-off current delay time

t_{DCOL}	Typ.
0	500 μ s
1	0 μ s

Bit 2 = t_{RCOL} : L+ restart delay

After a cut-off event, the channel driver automatically restarts again after a delay (t_{RCOL}) programmable by this bit.

Table 21. t_{RCOL} : L+ restart delay

t_{RCOL}	Typ.
0	64 ms
1	Latched ⁽¹⁾

1. Unlatch through I²C communication (reading or writing any internal register).

Bit 1:0 = t_{dbi} [1:0]: I/Q debounce time

Debounce time is the minimum time that data must be in a given state after a transition. It is a programmable time, and it can be configured as shown in the following table.

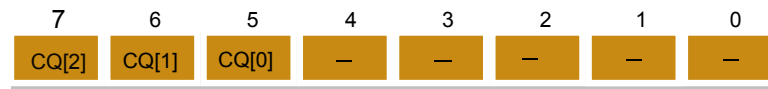
Table 22. Bit 1:0 = t_{dbi} [1:0]: I/Q debounce time

$t_{dbi}[1]$	$t_{dbi}[0]$	Typ.
0	0	0 μ s
0	1	5 μ s
1	0	20 μ s
1	1	100 μ s

Configuration register

Read/write

Reset value: [100xxxxx]

Figure 15. Configuration register


The configuration register holds data to configure the L6360 IC.
 Bit 7:5 = C/Q[2:0]: C/Q output stage configuration

Table 23. C/Q output stage configuration

C/ Q[2]	C/ Q[1]	C/ Q[0]	Configuration	Notes
0	0	0	OFF	HS and LS are OFF regardless of the state of EN _{C/Q} and IN _{C/Q} . The receiver is OFF regardless of the state of EN _{C/Q} .
0	0	1	Low-side	HS is always disabled. LS is ON when IN _{C/Q} is high and EN _{C/Q} is high, OFF in all other cases. Slow asynchronous decay when the LS is turned off by EN _{C/Q} or in case of cut-off. The receiver is OFF when EN _{C/Q} is high: OUT _{C/Q} is high. The receiver is ON when EN _{C/Q} is low: if C/Q ₁ is high, OUT _{C/Q} is low. If C/Q ₁ is low, OUT _{C/Q} is high.
0	1	0	High-side	LS is always disabled. HS is ON when IN _{C/Q} is low and EN _{C/Q} is high, OFF in all other cases. Slow asynchronous decay if the HS is turned off by EN _{C/Q} or in case of cut-off. The internal pull-down current generator on C/Q ₁ should be disabled through control register 1, unless C/Q ₁ is connected to C/Q ₀ through a 100 Ω (or more) resistor. The receiver is OFF when EN _{C/Q} is high: OUT _{C/Q} is high. The receiver is ON when EN _{C/Q} is low: if C/Q ₁ is high, OUT _{C/Q} is low. If C/Q ₁ is low, OUT _{C/Q} is high.
Don't care	1	1	Push-pull	IN _{C/Q} low and EN _{C/Q} high: HS ON and LS OFF. IN _{C/Q} high and EN _{C/Q} high: LS ON and HS OFF. If EN _{C/Q} is low, both HS and LS are OFF. Slow asynchronous decay in case of cut-off or turn-off of both switches. An internal dead time is generated between each LS turn-off and the following HS turn-on and between each HS turn-off and the following LS turn-on. The receiver is OFF when EN _{C/Q} is high: OUT _{C/Q} is high. The receiver is ON when EN _{C/Q} is low: if C/Q ₁ is high, OUT _{C/Q} is low. If C/Q ₁ is low, OUT _{C/Q} is high.
1	0	0	Tri-state	HS and LS are OFF regardless of the state of EN _{C/Q} and IN _{C/Q} . The receiver is OFF when EN _{C/Q} is high: OUT _{C/Q} is high. The receiver is ON when EN _{C/Q} is low: if C/Q ₁ is high, OUT _{C/Q} is low. If C/Q ₁ is low, OUT _{C/Q} is high.
1	0	1	Low-side ON	LS is ON regardless of the state of EN _{C/Q} and IN _{C/Q} . Slow asynchronous decay in case of cut-off. The receiver is OFF when EN _{C/Q} is high: OUT _{C/Q} is high. The receiver is ON when EN _{C/Q} is low: if C/Q ₁ is high, OUT _{C/Q} is low. If C/Q ₁ is low, OUT _{C/Q} is high.
1	1	0	High-side ON	HS is ON regardless of the state of EN _{C/Q} and IN _{C/Q} . Slow asynchronous decay in case of cut-off. The receiver is OFF when EN _{C/Q} is high: OUT _{C/Q} is high. The receiver is ON when EN _{C/Q} is low: if C/Q ₁ is high, OUT _{C/Q} is low. If C/Q ₁ is low, OUT _{C/Q} is high.

Note: See also the [Section 6.12 Demagnetization](#).

In order to reduce the risk of damage to the output stage (e.g. switching from push-pull inductive load to any transceiver configuration while an inductive load has some residual energy), the user must not switch between any of two “active” (low-side, high-side, push-pull, low-side ON, high-side ON, push-pull inductive load) configurations of the bridge. For example, if the microcontroller needs to switch from push-pull to high-side configuration, it needs to modify the configuration register twice:

First-step: switch from push-pull to OFF (or tri-state)

Second-step: switch from OFF (or tri-state) to high-side

If the microcontroller asks for a forbidden jump between configurations, the IC remains in the previous configuration and reports a parity error to the microcontroller. In case of sequential write, no parity error is generated if the microcontroller rewrites the configuration register with the previous value; if the operation, instead, requires a forbidden jump, all data are rejected also for other registers (and a parity error is raised).

The L+ switch is a high-side switch. HS is ON when EN_{L+} is high, otherwise it is OFF. Fast decay with active clamp (-V_{demag}) is operated when the HS is turned off or in the case of cut-off.

Receiver I/Q is always ON.

Bit 4:2 = not used

Bit 1:0 = not used

LED registers

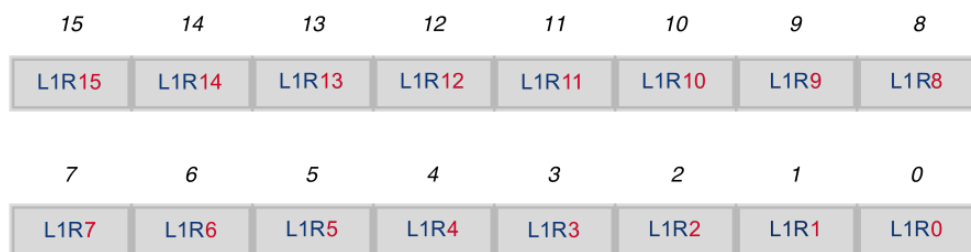
See [Section 9 Diagnostic LED sequence generator and driver](#).

These registers are used to configure the two LED drivers integrated in the IC. Each LED driver has two associated registers and turns on or off the external LED according to the information stored in the registers, which are scanned with a rate of 63 ms per bit. LED drivers can be used for status or diagnostic information, or for other purposes, and should be configured by the host microcontroller.

LED1 registers

Reset value: [00000000]

Figure 16. LED1 registers



LED2 registers

Reset value: [00000000]

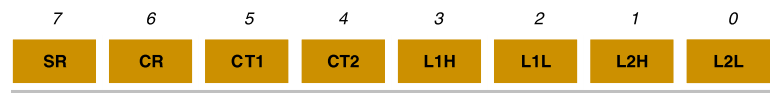
Figure 17. LED2 registers



Parity register

Read only

Reset value: [00000000]

Figure 18. Parity register


This register stores the parity of each register, calculated after the L6360 receives data registers.

Bit 7 = SR: status register parity

This bit is the parity of the status register.

Bit 6 = CR: configuration register parity

This bit is the parity of the configuration register.

Bit 5 = CT1: control register 1 parity

This bit is the parity of control register 1.

Bit 4 = CT2: control register 2 parity

This bit is the parity of control register 2.

Bit 3 = L1H: LED1 high register parity

This bit is the parity of the LED1 MSB register (15 down to 8).

Bit 2 = L1L: LED1 low register parity

This bit is the parity of the LED1.

LSB register (7 down to 0).

Bit 1 = L2H: LED2 high register parity

This bit is the parity of the LED2 MSB register (15 down to 8).

Bit 0 = L2L: LED2 low register parity

This bit is the parity of the LED2 LSB register (7 down to 0).

6.10 Start-up default configuration

Table 25. Register default configuration shows the device register default configuration.

Table 24. Parameter default configuration

Parameter	Default value
I_{coq}	220 mA
t_{dcoq}	100 μ s
t_{rcoq}	25 ms
t_{dbq}	5 μ s
t_{dcol}	500 μ s
t_{rcol}	64 ms
t_{bdq}	5 μ s
Output stage	Tri-state

Table 25. Register default configuration

Registers	Bit position	Bit name	Reset value
Status register	Bit 7	PO	0
	Bit 6	Not used	x
	Bit 5	OVT	0
	Bit 4	CQOL	0
	Bit 3	IQOL	0
	Bit 2	Not used	x
	Bit 1	REGLN	0
	Bit 0	PE	0
Configuration register	Bit 7	C/Q2	1
	Bit 6	C/Q1	0
	Bit 5	C/Q0	0
	Bit 4	Not used	x
	Bit 3	Not used	x
	Bit 2	Not used	x
	Bit 1	Not used	x
	Bit 0	Not used	x
Control register 1	Bit 7	EN _{CGQ}	0
	Bit 6	I _{coq1}	0
	Bit 5	I _{coq0}	1
	Bit 4	t _{dcoq1}	0
	Bit 3	t _{dcoq0}	0
	Bit 2	t _{rcoq}	0
	Bit 1	t _{dbq1}	0
	Bit 0	t _{dbq0}	1
Control register 2	Bit 7	EN _{CGI}	0
	Bit 6	Not used	x
	Bit 5	CQ _{PDG}	1
	Bit 4	L+ _{COD}	0
	Bit 3	t _{dcoi0}	0
	Bit 2	t _{rcoi}	0
	Bit 1	t _{dbi1}	0
	Bit 0	t _{dbi0}	1
LED1 register MSB	Bit 7	L1R15	0
	Bit 6	L1R14	0
	Bit 5	L1R13	0
	Bit 4	L1R12	0
	Bit 3	L1R11	0
	Bit 2	L1R10	0

Registers	Bit position	Bit name	Reset value
LED1 register MSB	Bit 1	L1R9	0
	Bit 0	L1R8	0
LED1 register LSB	Bit 7	L1R7	0
	Bit 6	L1R6	0
	Bit 5	L1R5	0
	Bit 4	L1R4	0
	Bit 3	L1R3	0
	Bit 2	L1R2	0
	Bit 1	L1R1	0
	Bit 0	L1R0	0
LED2 register MSB	Bit 7	L2R15	0
	Bit 6	L2R14	0
	Bit 5	L2R13	0
	Bit 4	L2R12	0
	Bit 3	L2R11	0
	Bit 2	L2R10	0
	Bit 1	L2R9	0
	Bit 0	L2R8	0
LED2 register LSB	Bit 7	L2R7	0
	Bit 6	L2R6	0
	Bit 5	L2R5	0
	Bit 4	L2R4	0
	Bit 3	L2R3	0
	Bit 2	L2R2	0
	Bit 1	L2R1	0
	Bit 0	L2R0	0
Parity register	Bit 7	SR	0
	Bit 6	CR	0
	Bit 5	CT1	0
	Bit 4	CT2	0
	Bit 3	L1H	0
	Bit 2	L1L	0
	Bit 1	L2H	0
	Bit 0	L2L	0

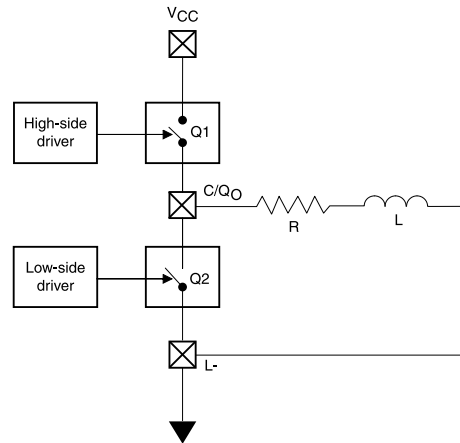
6.11 Interrupt

The IRQ pin (interrupt pin) should normally be held to a high logic level by an external pull-up resistor or microcontroller pin configuration. The internal structure is an open drain transistor. It should be connected directly to the microcontroller so, in the case of a fault event (C/Q overload, power-on L+ line, overtemperature condition, etc.), it is pulled down to a low logic level, reporting the fault condition to the microcontroller.

6.12 Demagnetization

The power stage can be represented as shown in the following figure.

Figure 19. Power stage, Q2 is not present on L+ output



When a power stage output (C/Q or L+) is connected to an inductance, the energy stored in the load is:

Equation 1:

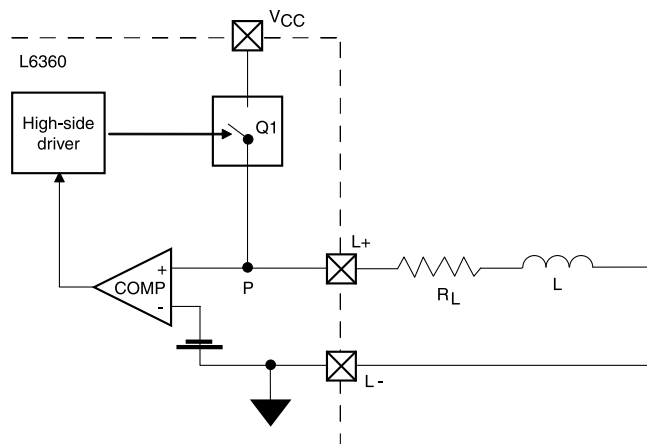
$$E = 1/2 LI^2$$

This energy must be properly dissipated at the switch-off. Without an appropriate circuitry the output voltage would be pulled to very negative values, therefore recovering the stored energy through the breakdown of the power transistor. To avoid this, the output voltage must be clamped so that the voltage across the power switch does not exceed its breakdown voltage. In the case of load connected between the C/Q_O pin and V_{CC}, at switch-off (of the low-side switch) the output is pushed to a voltage higher than V_{CC}.

6.12.1 Fast demagnetization

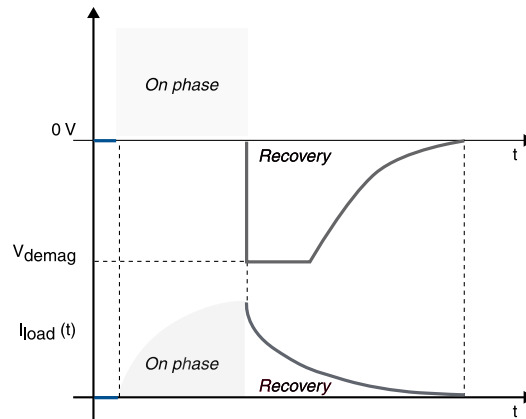
It applies to L+ channel only.

Figure 20. Fast demagnetization principle schematic. Load connected to L-



When a high-side driver turns off an inductance, a reversed polarity voltage appears across the load. The output pin (L+) of the power switch becomes more negative than the ground until it reaches the demagnetization voltage, V_{demag} . The conduction state of the power switch Q1 is linearly modulated by an internal circuitry in order to keep the voltage at C/Q or I/Q pin at about V_{demag} until the energy in the load has been dissipated. The energy is dissipated in both IC internal switch and load resistance.

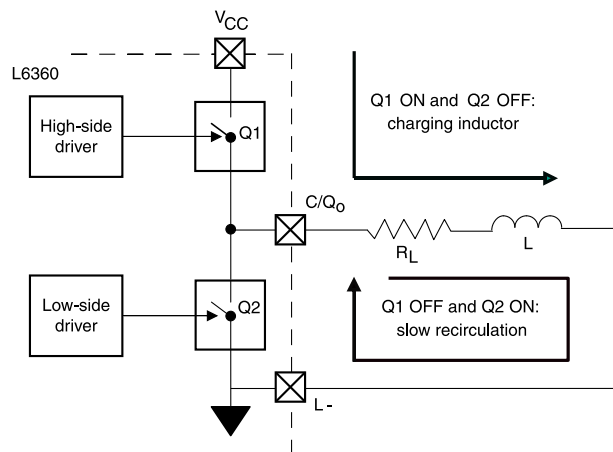
Figure 21. Fast demagnetization waveform. Load connected to L-



6.12.2 Slow demagnetization

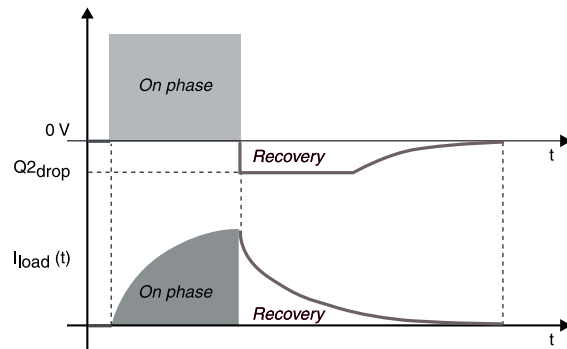
It applies to C/Q channel.

Figure 22. Slow demagnetization block. Load connected to L-



When a high-side driver turns off an inductance a reversed polarity voltage appears across the load. In slow demagnetization configuration the low-side switch Q2 is ON and the C/Q pin is pulled to a voltage slightly (depending on Q2 drop) below the ground (L-). The energy is dissipated in both the IC internal switch and the load resistance. In the case of load connected between the C/Q pin and V_{CC} , at switch-off (of the low-side switch Q2), the switch Q1 is ON and the output is pushed to a voltage slightly higher than V_{CC} .

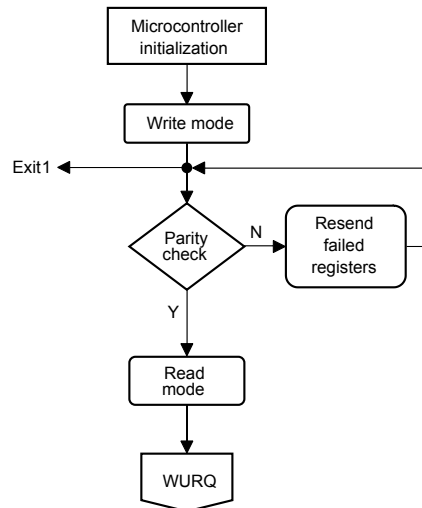
Figure 23. Slow demagnetization waveform. Load connected to GND



7 I2C configuration

7.1 Protocol configuration

Figure 24. Device initialization



Microcontroller initialization: microcontroller initialization phase.

Write mode: the L6360 is configured by the microcontroller through I²C. To configure the device, it is necessary to write its internal registers.

Parity check: the L6360 calculates the parity of each received register and stores it in the parity register. After which, it compares it with the parity transmitted together with the data. If the parity check of one or more registers failed, the “parity error bit” in the status register is set and an interrupt is generated by the L6360. The microcontroller can now read the status register and the parity register (current read). So the microcontroller can understand the interrupt cause and which register fails the transmission. If the parity check is ok, the flow goes on (read mode).

Write register failed: the microcontroller can again write the register(s) that failed the check.

Read mode: read status register to monitor if the configuration is good (read mode).

7.2 Operating modes

Writing modes

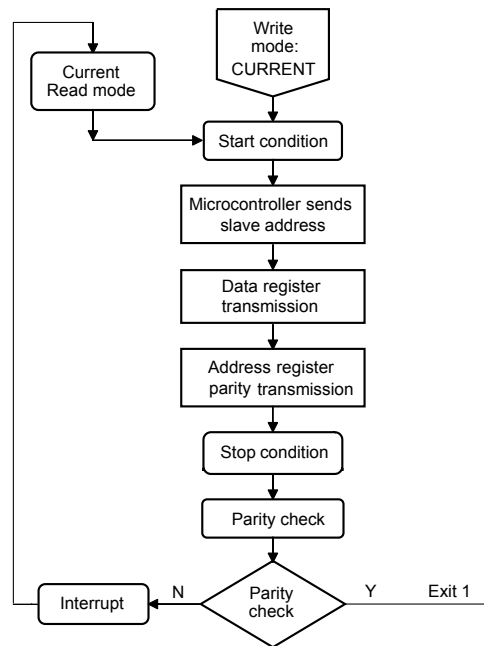
The L6360 is configured by the microcontroller through I²C. To configure the device, it is necessary to write its internal registers. There are two writing modes:

- Current: single register
- Sequential: all registers in sequence

Current write mode

The microcontroller I²C is configured as master transmitter. The L6360 I²C is configured as the slave receiver.

Figure 25. Current write mode flow chart procedure



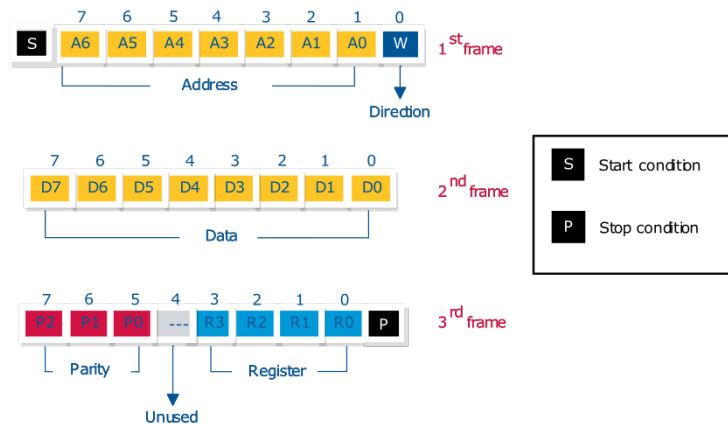
1. Microcontroller I²C establishes the communication: START condition.
2. Microcontroller I²C sends the slave address on the I²C bus to check if the slave is online (1st frame).
3. After the address is matched, the microcontroller starts the data transmission: the 2nd frame is the data to be written into the selected register.
4. The 3rd frame is composed of the address of the register to be written and of the parity of the 2nd frame.
5. Microcontroller I²C finishes the communication: STOP condition.
6. The L6360 calculates the parity of the data received.
7. The L6360 compares its parity calculation with the parity bits in the 3rd frame (sent by the microcontroller).
8. If the parities match, the protocol flow goes on (exit), otherwise the PE bit inside the L6360 status register is set and the flow goes to the next state.
9. The L6360 generates an interrupt to report the parity check error.
10. The microcontroller sends a read request to the device. The L6360 then sends the status and parity registers. The microcontroller can resend the corrupted data register.
11. Back to step 1.

The I²C frame (configuration, control, diagnostic phases) must provide:

- Slave address (7 bits)
- Transmission direction (read/write)
- Data (8 bits: data register)
- Parity bits (P2, P1, P0)
- Register address (4 bits: 16 registers addressable)

The three frames are shown in the following figure:

Figure 26. Current write mode frames



1st frame

Bit 7 to 1: the L6360 address
Bit 0: direction

Table 26. Current write mode direction bit

W bit	Master	Slave
0	Write mode	Read mode
1	Read mode	Write mode

2nd frame

Bit 7 to 0: data register

3rd frame

Bit 7 to 5: parity bits

Bit 4: unused

Bit 3 to 0: register address

The parity check bits are calculated as shown in equation 2

Equation 2:

$$P0 = D7 \oplus D6 \oplus D5 \oplus D4 \oplus D3 \oplus D2 \oplus D1 \oplus D0$$

$$P1 = D7 \oplus D5 \oplus D3 \oplus D1 \text{ (odd parity)}$$

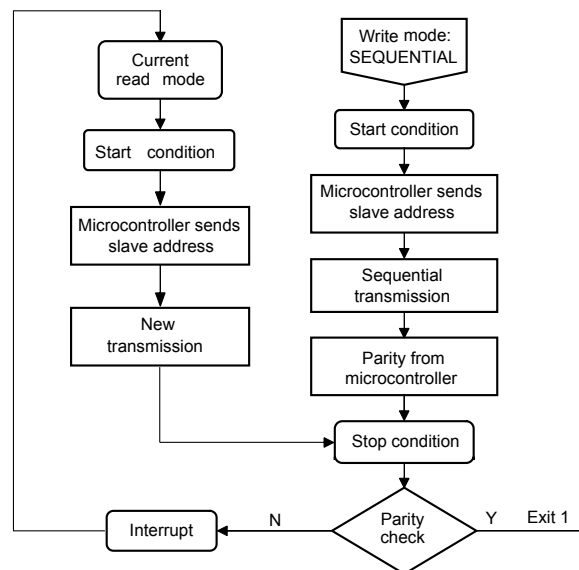
$$P2 = D6 \oplus D4 \oplus D2 \oplus D0 \text{ (even parity)}$$

Where \oplus means "XOR".

If parity error occurs, the register is not overwritten.

Sequential write mode

Figure 27. Sequential write mode flow chart procedure



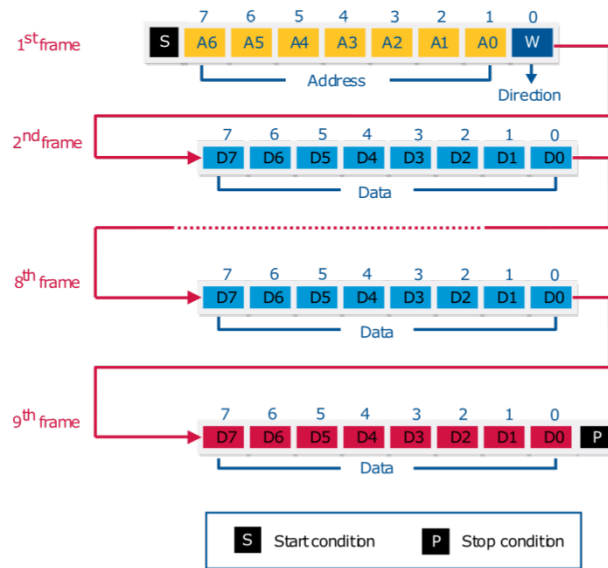
1. The microcontroller I²C establishes the communication: START condition.
2. The microcontroller I²C sends the slave address on the I²C bus to check if the slave is online (1st frame).
3. After the address is matched, the microcontroller starts the sequential transmission (2nd to 8th frame).
4. The microcontroller sends its parity register (last frame: 9th frame).
5. Microcontroller I²C finishes the communication: STOP condition.
6. The L6360 calculates the parity of the registers received, and stores the results in the parity register.
7. The L6360 compares its parity register with the parity register sent by the microcontroller (9th frame).
8. If the parities match, the protocol flow goes on (EXIT), otherwise the PE bit inside the L6360 status register is set, and the flow goes to the next state.
9. The L6360 generates an interrupt to report the parity check error.
10. The microcontroller sends a read request to the device. In this phase the L6360 sends the status register and the parity register allowing the microcontroller to verify which register failed the configuration.
11. Now the microcontroller can perform a new write sequential procedure.
12. Microcontroller I²C establishes the communication: START condition.
13. Microcontroller I²C sends the slave address on the I²C bus to check if the slave is online.
14. The microcontroller resends the data registers.
15. Back to step 5.

The I²C frame (configuration, control, diagnostic phases) must provide:

- Slave address (7 bits)
- Transmission direction (read/write)
- Data (8 bits: data registers)

The 9 frames are shown below:

Figure 28. Sequential write mode frames



1st frame

Bit 7 to 1: the L6360 address
Bit 0: direction (write/read)

Table 27. Sequential write mode direction bit

W bit	Master	Slave
0	Write mode	Read mode
1	Read mode	Write mode

2nd to 8th frame

Bit 7 to 0: data register

9th frame

Bit 7 to 0: microcontroller parity register

The microcontroller parity check (for each register) calculus performed is shown below:

Figure 29. Microcontroller parity check calculus



Bit 6 = P6: microcontroller configuration register parity

This bit is the parity of the configuration register.

Bit 5 = P5: microcontroller control register 1 parity

This bit is the parity of control register 1.

Bit 4 = P4: microcontroller control register 2 parity

This bit is the parity of control register 2.

Bit 3 = P3: microcontroller LED1 register high parity

This bit is the parity of the LED1 MSB register (15 down to 8).

Bit 2 = P2: microcontroller LED1 register low parity

This bit is the parity of the LED1 LSB register (7 down to 0).

Bit 1 = P1: microcontroller LED2 register high parity

This bit is the parity of the LED2 MSB register high (15 down to 8).

Bit 0 = P0: microcontroller LED2 register low parity

This bit is the parity of the LED2 LSB register high (7 down to 0).

For each register, a parity check is calculated as shown in equation 3

Equation 3:

$$PX = D7 \oplus D6 \oplus D5 \oplus D4 \oplus D3 \oplus D2 \oplus D1 \oplus D0 \quad (X = 0 \text{ to } 6)$$

D7 to D0 indicates bits inside each register.

Where \oplus means "XOR".

If parity error occurs, the registers are not overwritten.

In this writing mode, all writable registers and the microcontroller parity register are sent.

Figure 30. Register sequence in sequential write mode

2 nd frame	0001	Configuration register
3 rd frame	0010	Control register 1
4 th frame	0011	Control register 2
5 th frame	0100	LED1 register H
6 th frame	0101	LED1 register L
7 th frame	0110	LED2 register H
8 th frame	0111	LED2 register L
9 th frame		Microcontroller parity

Read mode

The status register and parity check register are read only. The other registers are readable/writable (by microcontroller). There are three reading modes:

- Current: status register only
- Sequential: all registers in sequence
- Random: to read registers in sequence starting from a register address fixed by the microcontroller

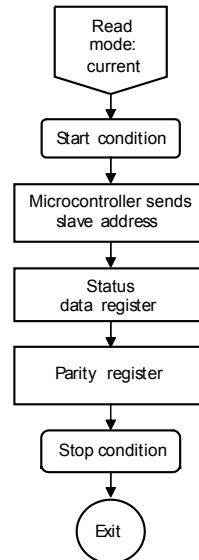
All registers are addressed as shown in the table below:

Table 28. Read mode: register address

Address	Register name
0000	Status register
0001	Configuration register
0010	Control register 1
0011	Control register 2
0100	LED1 register MSB
0101	LED1 register LSB
0110	LED2 register MSB
0111	LED2 register LSB
1000	Parity register

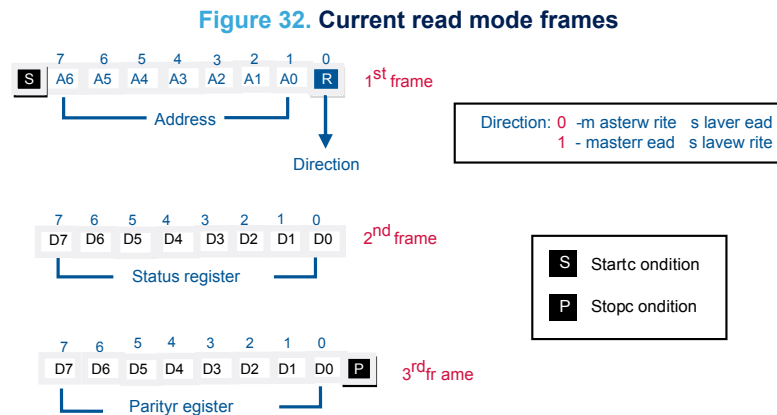
Current read mode

Figure 31. Current read mode flow chart procedure



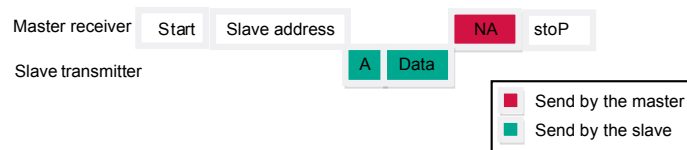
1. Microcontroller I²C establishes the communication: START condition
 2. Microcontroller I²C sends slave address on the I²C bus to check if the slave is online (1st frame)
 3. After the address is matched, the L6360 sends its status register (2nd frame)
 4. The L6360 sends its parity register (3rd frame)
 5. Microcontroller I²C finishes the communication: STOP condition
- The I²C frame (configuration, control, diagnostic phases) must provide:
- Slave address (7 bits)
 - Transmission direction (read/write)
 - Data (8-bit data registers): status and parity registers

The three frames are shown in the following figure:



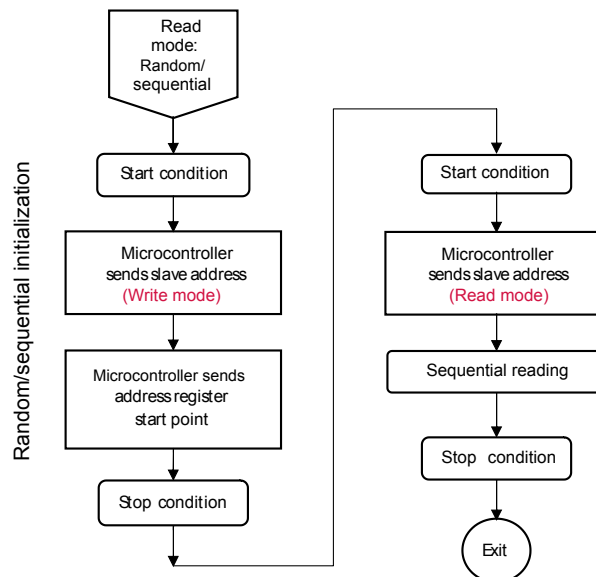
When a “read request” comes from the microcontroller (it is configured as master receiver), the IC (slave transmitter) sends the contents of the status and parity registers.

Figure 33. Current read communication flow



Sequential/random read modes

Figure 34. Sequential/random read mode



1. Random/sequential read mode initialization: microcontroller I²C establishes the communication: START condition.
2. Microcontroller I²C sends the slave address, in write mode, on the I²C bus to check if the slave is online (1st frame).
3. Microcontroller I²C sends the register address start point, which sets the first register to read in sequence (2nd frame).
4. Microcontroller I²C finishes the communication: STOP condition.

Bit 7 to 1: the L6360 address

Bit 0: direction (write)

2nd frame

Bit 7 to 0: address register starting point

Table 29. Address register

Address	Register name
0000	Status register
0001	Configuration register
0010	Control register 1
0011	Control register 2
0100	LED1 register MSB
0101	LED1 register LSB
0110	LED2 register MSB
0111	LED2 register LSB
1000	Parity register

3rd frame

Bit 7 to 1: L6360 address

Bit 0: direction (read)

4th to nth frame

Bit 7 to 0: data register (from address register starting point to penultimate address register)

9th frame

Bit 7 to 0: parity register (the last register)

8 Physical layer communication

The IC transfers the data received (on the $IN_{C/Q}$ digital input pin) to the C/Q_O output. The $EN_{C/Q}$ pin allows the C/Q_O line to be put into tri-state. Data received from the line (C/Q_I and I/Q pins) are transferred to the digital output pins $OUT_{C/Q}$ and $OUT_{I/Q}$.

Figure 36. Block diagram communication mode

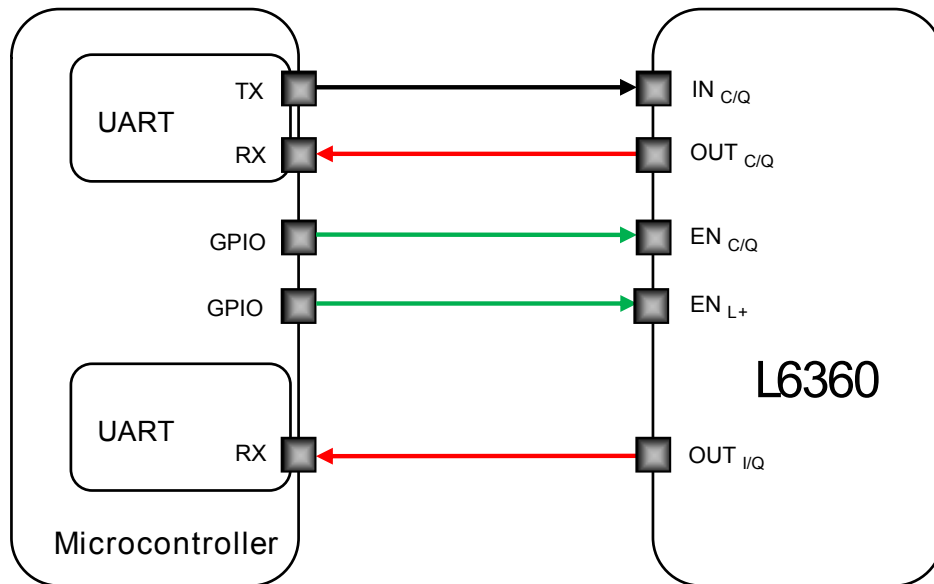
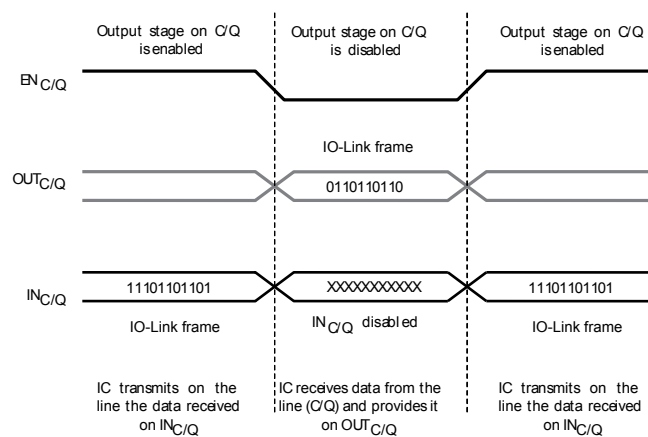
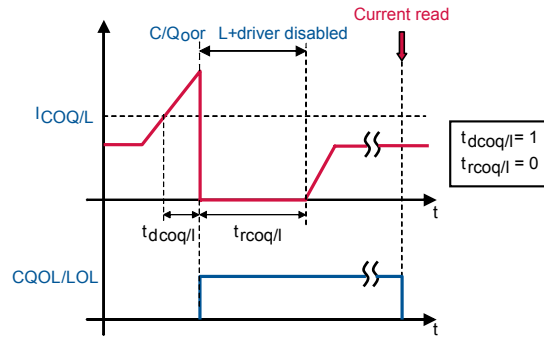
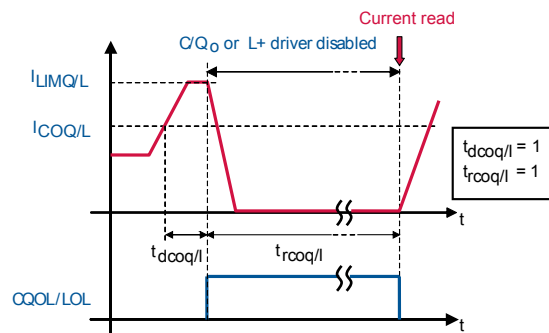


Figure 37. System communication mode



8.1 Transceiver

Output drivers (C/Q_O and $L+$) are protected against short-circuit or overcurrent by means of two different functions. One is the current limiting function: output current is linearly limited to $I_{LIMQ/L}$. The cut-off protection, on the other side, turns off the drivers when the output current exceeds a (programmable for the C/Q_O driver) threshold ($I_{COL/I}$). When the current reaches the (programmed) cut-off value the channel output driver is turned off after a programmable delay ($t_{dcoq/l}$). The channel output driver automatically restarts again after a programmable delay time ($t_{rcq/l}$).

Figure 38. C/Q or L+ channel cut-off protection

Figure 39. C/Q or L+ channel current limitation and cut-off protection with latched restart


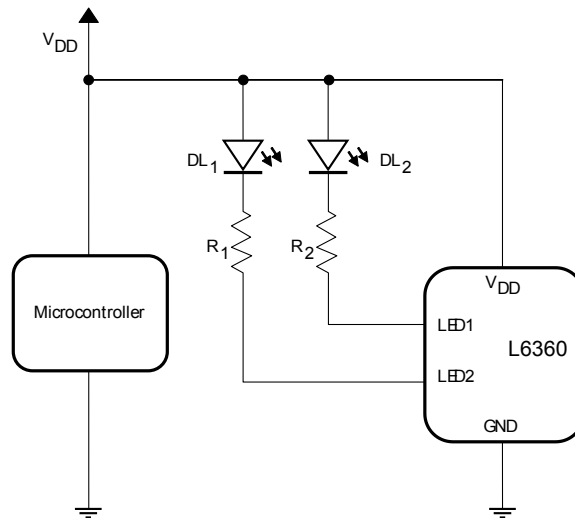
8.2 IEC 61131-2 type 1 digital inputs

Two IEC61131-2 type 1 inputs are provided: one is available on C/Q₁ (as per IO-Link specification to support SIO mode) and one on I/Q pin. Both are provided with a programmable debounce filter (t_{dbq} and t_{dbi} , see Table 17. EN_{CG1}: I/Q pull-down enable and Table 23. C/Q output stage configuration) to prevent false triggering.

9 Diagnostic LED sequence generator and driver

Each LED indication block can drive, through an open drain output, one external LED. LED drivers can be used for status or diagnostic information, or for other purposes, and should be configured by the host microcontroller. Two sequences of 16 bits can be programmed (through I²C) to generate user specific sequences; each LED driver has two associated registers and turns the external LED on or off according to the information stored in the registers, which are scanned at a rate of 63 ms per bit; total sequence time of each LED is approximately 1 s. Figure below shows how to wire up the two LEDs.

Figure 40. LED drivers



10 Linear regulator

The L6360 embeds a linear regulator with output voltage selectable (by the SEL pin) at 3.3 V or 5 V. The input voltage is V_H and the maximum power dissipation is 200 mW. The linear regulator minimum limitation current value is I_{LIMLR} .

Figure 41. Linear regulator

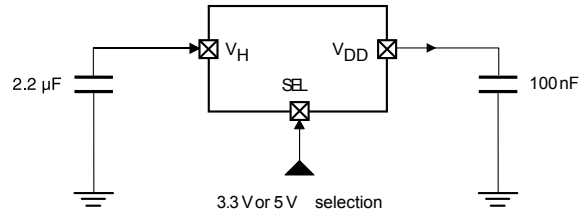
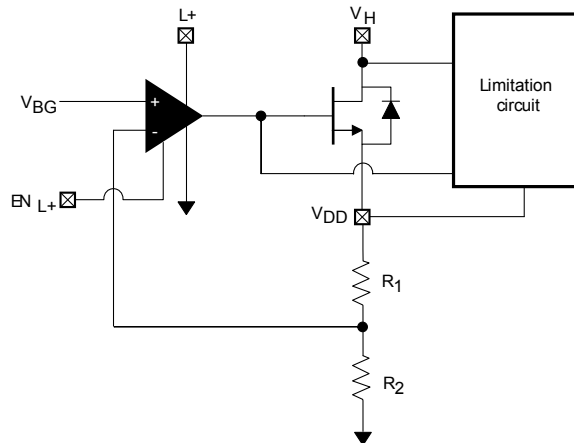


Table 30. Linear regulator selection pin

SEL	V_{DD}
0	$5\text{ V} \pm 2.5\%$
1	$3.3\text{ V} \pm 2\%$

The linear regulator cannot be turned off as it is necessary to supply (through V_{DD} pin) internal circuitries. It can also be used to supply external circuitry (e.g. the microcontroller).

Figure 42. Linear regulator principle schematic



11 Application examples

The IO-Link master system typically consists of a microcontroller and physical layer and it communicates with an IO-Link device. The principle connection and the main application examples can be seen in the following figures.

Figure 43. Principal connections

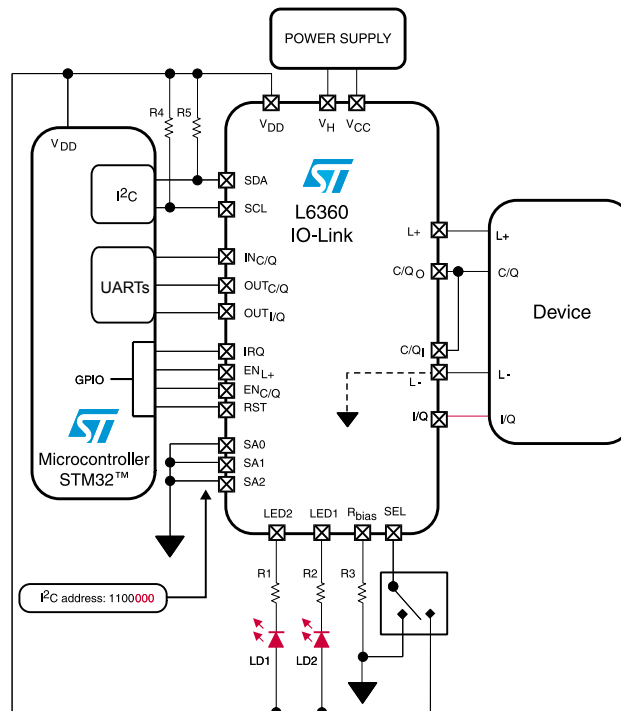
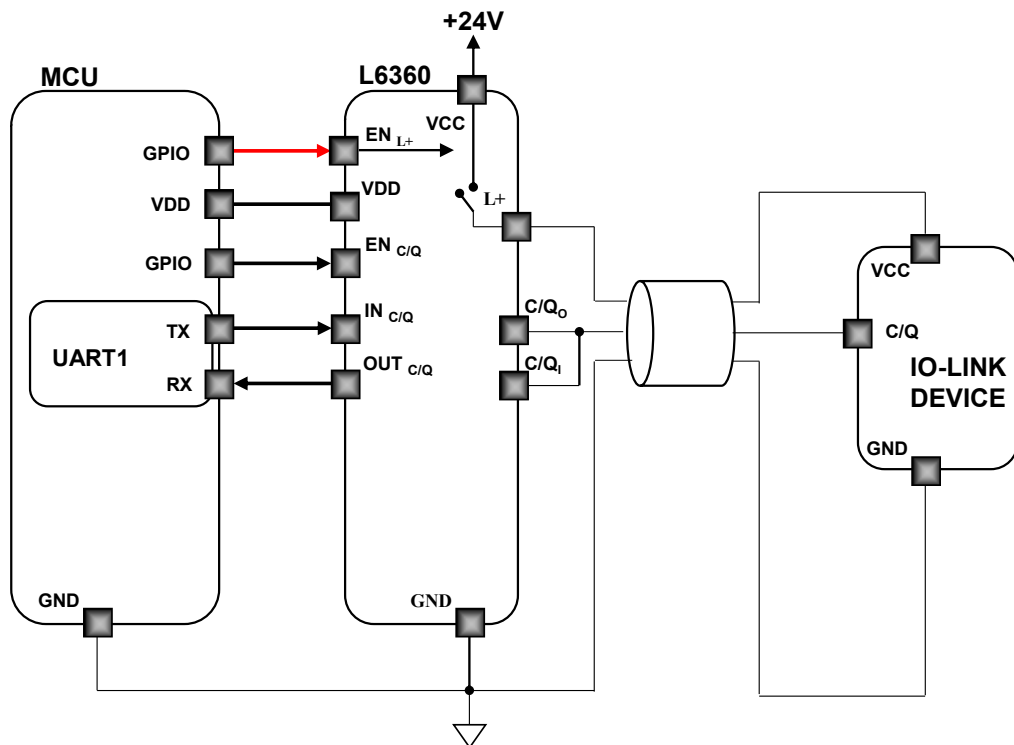


Figure 44. Application example (I/Q not used): IO-LINK device supplied by L+ pin



In case of very high capacitive loads on L+ the IC could trigger the thermal protection threshold. The table below shows the maximum capacitance that L+ can supply without triggering the thermal protection.

Table 31. Maximum C_{LOAD} on L+ for $I_{LOAD} = 400$ mA

V_{CC} [V]	T_{amb} [°C]	R_{LOAD} [Ω]	C_{LOAD} [μ F]
24	25	60	220
	85		47
30	25	75	68
	85		22

In case of very high capacitive loads the application schematic can be modified as reported in the following figures.

Figure 45. Application example (I/Q not used): IO-Link device supplied by single channel IPS

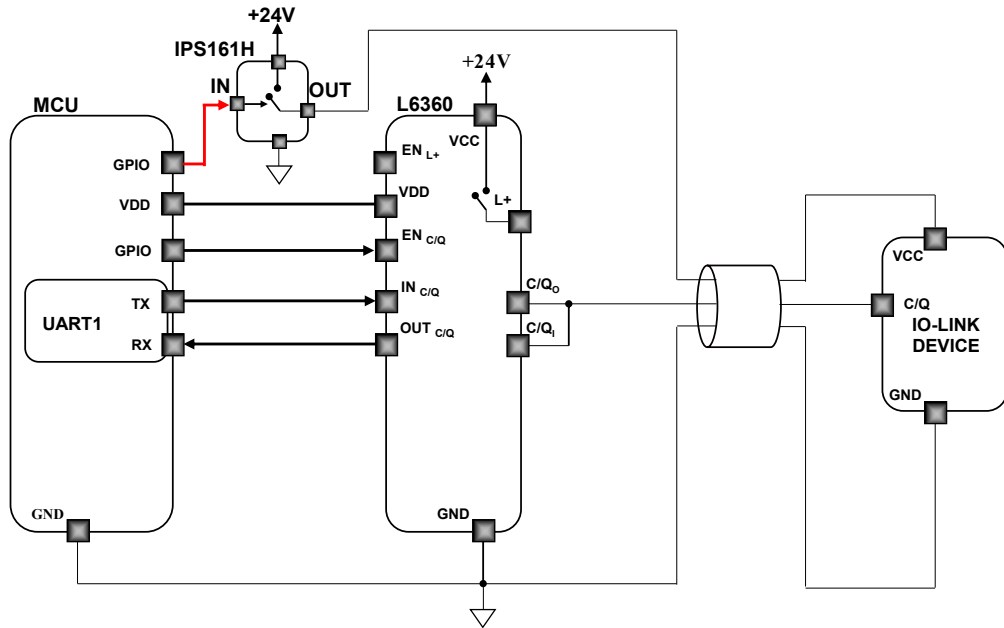
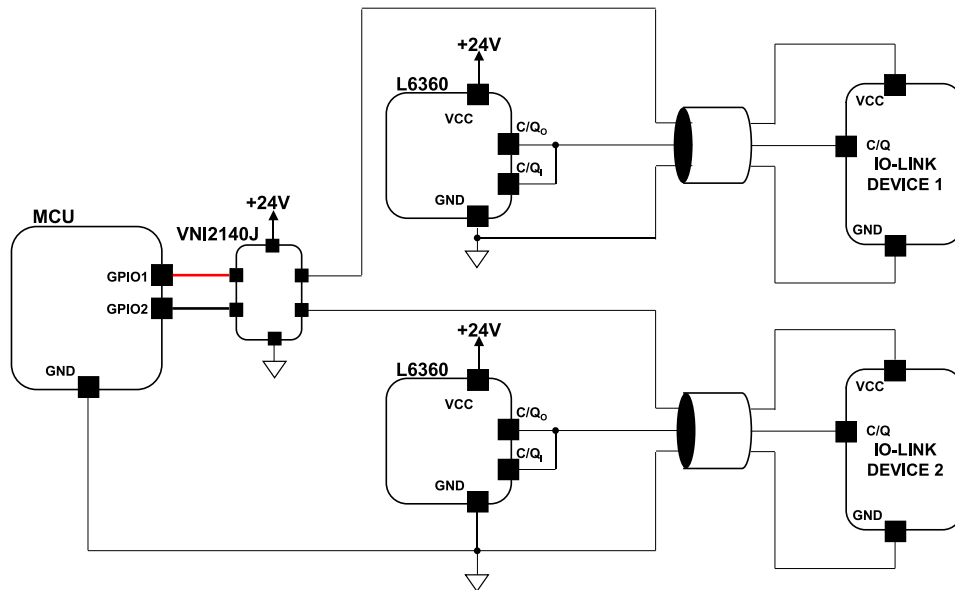


Figure 46. Application example: IO-Link devices supplied by dual channel IPS



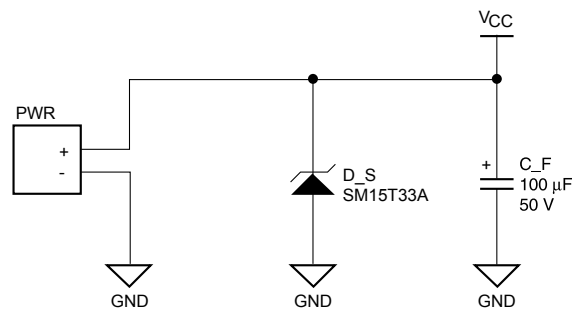
12 EMC protection considerations

Depending on the final product use and environmental conditions, the master application may require additional protection.

12.1 Supply voltage protection

In order to avoid the overvoltage on a system supply, a voltage suppressor such as Transil™ can be added. A protection diagram example is shown in the figure below.

Figure 47. Supply voltage protection with uni-directional Transil



Performance of the above mentioned example is limited and does not include reverse polarity protection. It is just a cost-effective solution.

Table 32. Supply voltage protection component description

Part	Function	Description
D_S	Supply overvoltage protection	It works as a primary overvoltage clamp to limit supply line distortions, such as: surge pulses, oscillations caused by line parasitic parameters (inductance) during plug-in phase, etc. 1500 W is recommended to provide reliable protection, unidirectional type helps to avoid negative stress of the L6360.
C_F	Filtering bulk capacitor	An energy buffer for application supply filters the application supply to avoid high ripple during power driver switching.

A more sophisticated solution can be seen in the figure below.

Figure 48. Refined supply voltage protection

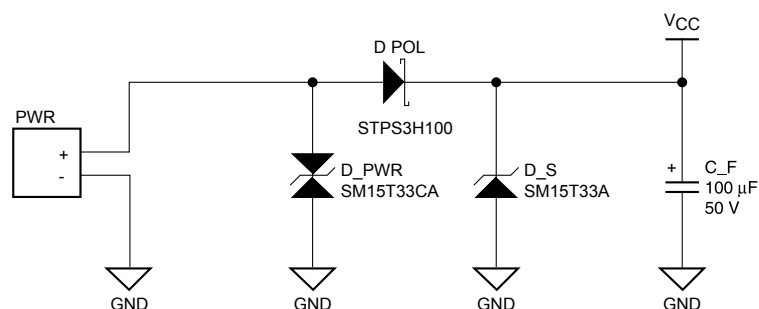


Table 33. Refined supply voltage protection component description

Part	Function	Description
D_PWR	Primary overvoltage protection	It works as a primary overvoltage clamp to limit supply line distortions, such as: surge pulses, oscillations caused by line parasitic parameters (inductance) during plug-in phase. 1500 W is recommended to provide reliable protection, unidirectional type is chosen to cover reverse polarity protection.
D_POL	Reverse polarity protection	It avoids reverse direction current flow and negative voltage stress of the L6360. Its current rating (3 A) is chosen in accordance with the maximum driving capabilities of the L6360 power stages. Schottky type is recommended to limit power dissipation (low VF). Voltage rating (100 V) comes from negative surge to the supply condition.
D_S	D_PWR support and IO overvoltage protection	a) It shares a positive surge current with the primary protection and limits the overvoltage amplitude. b) It clamps surges applied to the L6360 C/Q and L+ lines.
C_F	Filtering bulk capacitor	An energy buffer for application supply filters the application supply to avoid high ripple during power driver switching etc.

For most of the application cases V_{CC} (IC supply) and V_H (internal voltage regulator supply) pins can be connected on the application board. If the V_{CC} and V_H pins are supplied by different supply rails (or if V_H is decoupled by the main supply rail and blocked by bulk capacitors), then an additional circuit may be required to ensure the V_H voltage is always lower than (or equal to) V_{CC} . A possible solution with a diode is shown in the figure below.

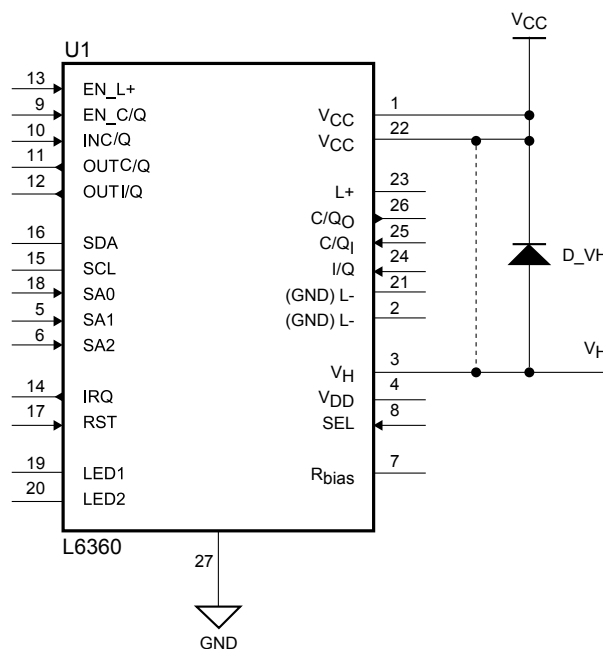
Figure 49. V_H protection vs. V_{CC} (only in case of different supply rails)


Table 34. V_H protection component description

Part	Function	Description
D_VH	V_H overvoltage protection	V_H voltage must be always lower than (or equal to) V_{CC} , even during the powering-up and down of an application. See description above.

12.2 I/O lines protection

The figure below shows external components (capacitors) suitable for IO-Link communication, protection level in accordance with the specification.

Figure 50. Typical protection in IO-Link applications

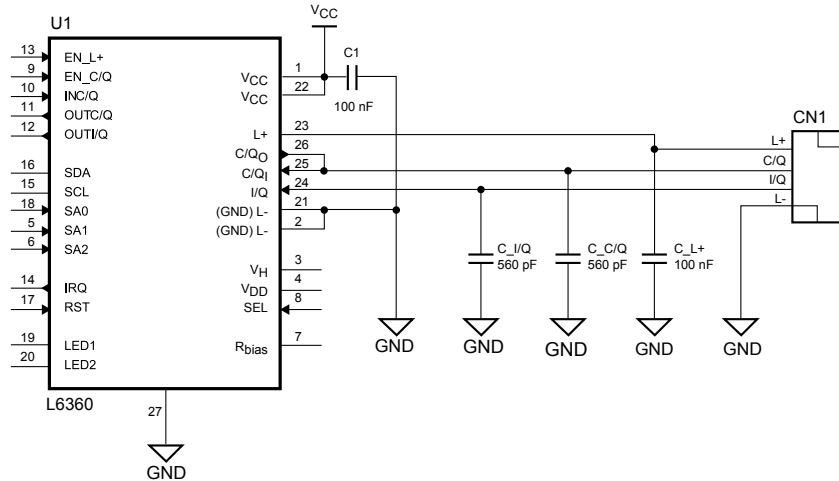


Table 35. Typical protection in IO-Link application component description

Part	Function	Description
C_1	Power supply blocking	Energy buffer for the L6360 supply, makes chip supply voltage stable, limits EMI noise.
C_I/Q, C_C/Q, C_L+	Filtration capacitors	Work as a basic protection against fast transient signals like burst or radio-frequency domain applied to the lines. Limit voltage spike frequency spectrum and amplitude.

If an extended protection level is required, the solution seen in the next figure is recommended. It provides robust protection according to IEC61131-2. It is suitable for IO-Link communication and is backward compatible with SIO (standard I/O). It protects the L6360 application against high energy surge pulses according to the IEC61000-4-5 standard. All the lines are protected against ± 2.5 kV surge pulse amplitude in common mode and ± 1 kV in differential mode considering $42 \Omega/0.5 \mu\text{F}$ generator coupling.

Figure 51. IO-Link and SIO application extended protection

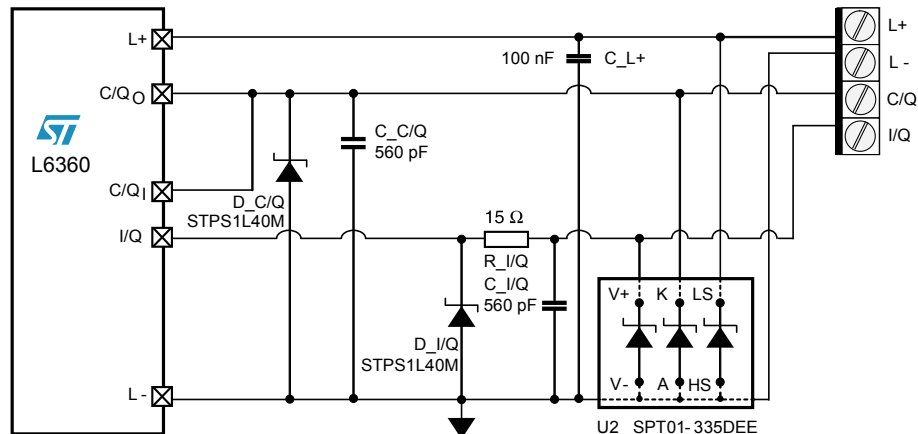


Table 36. IO-Link and SIO application extended protection component description

Part	Function	Description
C_I/Q, C_C/Q, C_L+	Filtration capacitors	Work as a basic protection against fast transient signals like burst or radio-frequency domain applied to the lines. Limit voltage spike frequency spectrum and amplitude.
D_I/Q, D_C/Q	Negative voltage spike suppression	Schottky diodes with low VF clamp the disturbance applied to the lines in a reverse polarity direction. Capable of conducting high surge current pulses to avoid high peak current flow through the L6360 pins
R_I/Q	Surge current limitation	Reduces the current flow in the L6360 - I/Q pin in both polarities when e.g. surge noise is applied to the line. If this resistor is omitted, I/Q line surge immunity is lower.
U2 (SPT01-335DEE)	Overvoltage protection	Primary surge protection to avoid overvoltage on the L6360 interface. Protects L+ switch against negative voltage pulses. Shares current flow of negative surge pulses with the additional Schottky diodes on C/Q and I/Q lines. Clamps positive surge pulse amplitude applied to I/Q line.

13 Package information

In order to meet environmental requirements, ST offers these devices in different grades of **ECOPACK** packages, depending on their level of environmental compliance. ECOPACK specifications, grade definitions and product status are available at: www.st.com. ECOPACK is an ST trademark.

13.1 HTSSOP20 package information

Figure 52. VFQFPN 26L (3.5x5x1.0 mm) package outline

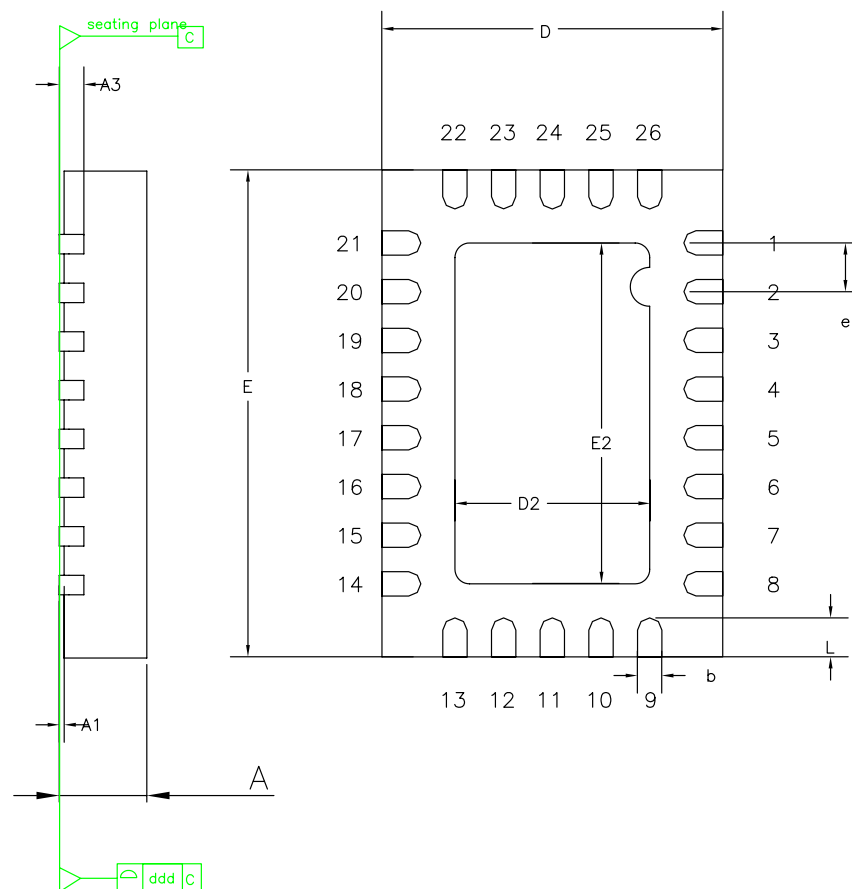


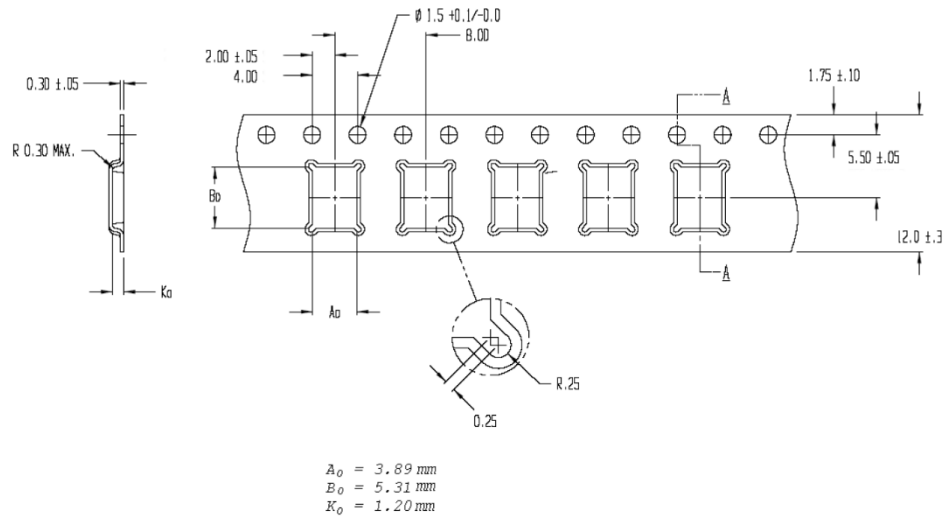
Table 37. VFQFPN 26L (3.5x5x1.0 mm) package mechanical data

Dim.	mm		
	Min.	Typ.	Max.
A	0.80	0.90	1.00
A1	0.00	0.02	0.05
A3		0.20	
b	0.18	0.25	0.30
D	3.50 BSC		
D2	1.90	2.00	2.10
E	5.00		

Dim.	mm		
	Min.	Typ.	Max.
E2	3.40	3.50	3.60
e		0.50	
L	0.30	0.40	0.50
ddd		0.05	

Note: VFQFPN stands for thermally enhanced very thin fine pitch quad flat package no lead. Very thin profile: $0.80 < A \leq 1.00$ mm. Details of terminal 1 are optional but must be located on the top surface of the package by using either a mold or marked features.

14 VFQFPN 26L (3.5x5x1.0 mm) packing information

Figure 53. VFQFPN 26L (3.5x5x1.0 mm) carrier tape outline


15 Ordering information

Table 38. Ordering information

Order code	Package	Packing
L6360TR	VFQFPN 26L (3.5x5x1 mm)	Tape and reel

Revision history

Table 39. Document revision history

Date	Revision	Changes
12-Mar-2012	1	Initial release.
15-Mar-2012	2	Updated E_{load} definition in table 3: Absolute maximum ratings. Updated figure 36: Block diagram communication mode.
25-Jan-2013	3	Updated table 4: Recommended operating conditions
11-Mar-2016	4	Added figure titled "VFQFPN 26L (3.5x5x1.0 mm) carrier tape outline.
10-May-2016	5	Updated Table 5: "Supply" and Table 24: "Parameter default configuration".
20-Nov-2017	6	Updated Updated Figure 2: "Pin connection (top through view)", Figure 15: "Configuration register", Figure 35: "Sequential/random read communication flow", Figure 36: "Block diagram communication mode", Figure 43: "Principal connections" and Figure 50: "Typical protection in IO-Link applications". Added Figure 44: "Application example (I/Q not used): IO-LINK device supplied by L+ pin", Figure 45: "Application example (I/Q not used): IO-Link device supplied by single channel IPS", Figure 46: "Application example: IO-Link devices supplied by dual channel IPS" and Table 31: "Maximum CLOAD on L+ for ILOAD= 400 mA". Updated Table 1: "Pin description", Table 3: "Recommended operating conditions", Table 10: "Main parameter typical variations vs. +/- 1% variation of Rbias value".
22-Jul-2019	7	Updated table C/Q output stage configuration
30-Jul-2021	8	Updated pin description Figure 3. Pin connection (top through view) and Table 1. Pin description. Updated name of Figure 50. V_H protection vs. V_{CC} (only in case of different supply rails) and description column in Table 34. V_H protection component description .

Contents

1	Block diagram	2
2	Pin configuration	3
3	Absolute maximum ratings	5
4	Recommended operating conditions	6
5	Electrical characteristics	7
6	Device configuration	13
6.1	Introduction	13
6.2	Main features	13
6.3	General description	13
6.4	SDA/SCL line control	13
6.5	Mode selection	13
6.6	Functional description	14
6.7	Communication flow	15
6.8	I ² C address	16
6.9	Internal registers	16
6.10	Start-up default configuration	24
6.11	Interrupt	26
6.12	Demagnetization	27
6.12.1	Fast demagnetization	27
6.12.2	Slow demagnetization	28
7	I2C configuration	30
7.1	Protocol configuration	30
7.2	Operating modes	30
8	Physical layer communication	39
8.1	Transceiver	39
8.2	IEC 61131-2 type 1 digital inputs	40
9	Diagnostic LED sequence generator and driver	41
10	Linear regulator	42
11	Application examples	43

12	EMC protection considerations	46
12.1	Supply voltage protection	46
12.2	I/O lines protection	49
13	Package information	51
13.1	HTSSOP20 package information	51
14	VFQFPN 26L (3.5x5x1.0 mm) packing information	53
15	Ordering information	54
	Revision history	55
	Contents	56
	List of tables	58
	List of figures	59

List of tables

Table 1.	Pin description	3
Table 2.	Absolute maximum ratings	5
Table 3.	Recommended operating conditions	6
Table 4.	Thermal data	6
Table 5.	Supply	7
Table 6.	Electrical characteristics - linear regulator	9
Table 7.	Electrical characteristics - logic inputs and outputs	9
Table 8.	Electrical characteristics - LED driving	9
Table 9.	Electrical characteristics - I2C (fast mode)	9
Table 10.	Main parameter typical variations vs. +/- 1% variation of R _{bias} value	11
Table 11.	Register addresses	16
Table 12.	EN _{CGQ} : C/Q pull-down enable	19
Table 13.	I _{coq} : C/Q _O HS and LS cut-off current	19
Table 14.	t _{dcoq} : C/Q _O HS and LS cut-off current delay time	19
Table 15.	t _{rcoq} : C/Q _O restart delay time	20
Table 16.	t _{dbq} : C/Q _I debounce time	20
Table 17.	EN _{CGI} : I/Q pull-down enable	20
Table 18.	CQ _{PDG} : C/Q pull-down generator switching	20
Table 19.	L _{+COD} : L+ cut-off disable	21
Table 20.	t _{DCOL} : L+ HS cut-off current delay time	21
Table 21.	t _{RCOL} : L+ restart delay	21
Table 22.	Bit 1:0 = t _{dbi} [1:0]: I/Q debounce time	21
Table 23.	C/Q output stage configuration	22
Table 24.	Parameter default configuration	24
Table 25.	Register default configuration	25
Table 26.	Current write mode direction bit	32
Table 27.	Sequential write mode direction bit	34
Table 28.	Read mode: register address	35
Table 29.	Address register	38
Table 30.	Linear regulator selection pin	42
Table 31.	Maximum C _{LOAD} on L+ for I _{LOAD} = 400 mA	44
Table 32.	Supply voltage protection component description	46
Table 33.	Refined supply voltage protection component description	47
Table 34.	V _H protection component description	48
Table 35.	Typical protection in IO-Link application component description	49
Table 36.	IO-Link and SIO application extended protection component description	50
Table 37.	VFQFPN 26L (3.5x5x1.0 mm) package mechanical data	51
Table 38.	Ordering information	54
Table 39.	Document revision history	55

List of figures

Figure 1.	Block diagram	2
Figure 2.	Pin connection (top through view)	3
Figure 3.	Rise/fall time test setup	10
Figure 4.	Normalized rise and fall time vs. output capacitor value (typ. values in push-pull configuration)	11
Figure 5.	A master transmitter addressing a slave receiver with a 7-bit address (the transfer is not changed)	14
Figure 6.	A master reads data from the slave immediately after the first byte	14
Figure 7.	Transfer sequencing	15
Figure 8.	I ² C communication	15
Figure 9.	Status register	17
Figure 10.	Power-on bit behavior	17
Figure 11.	Overtemperature (OVT) bit behavior	17
Figure 12.	Cut-off behavior	18
Figure 13.	Control register 1	19
Figure 14.	Control register 2	20
Figure 15.	Configuration register	22
Figure 16.	LED1 registers	23
Figure 17.	LED2 registers	23
Figure 18.	Parity register	24
Figure 19.	Power stage, Q2 is not present on L+ output	27
Figure 20.	Fast demagnetization principle schematic. Load connected to L-	27
Figure 21.	Fast demagnetization waveform. Load connected to L-	28
Figure 22.	Slow demagnetization block. Load connected to L-	28
Figure 23.	Slow demagnetization waveform. Load connected to GND	29
Figure 24.	Device initialization	30
Figure 25.	Current write mode flow chart procedure	31
Figure 26.	Current write mode frames	32
Figure 27.	Sequential write mode flow chart procedure	33
Figure 28.	Sequential write mode frames	34
Figure 29.	Microcontroller parity check calculus	34
Figure 30.	Register sequence in sequential write mode	35
Figure 31.	Current read mode flow chart procedure	36
Figure 32.	Current read mode frames	37
Figure 33.	Current read communication flow	37
Figure 34.	Sequential/random read mode	37
Figure 35.	Sequential/random read communication flow	37
Figure 36.	Block diagram communication mode	39
Figure 37.	System communication mode	39
Figure 38.	C/Q or L+ channel cut-off protection	40
Figure 39.	C/Q or L+ channel current limitation and cut-off protection with latched restart	40
Figure 40.	LED drivers	41
Figure 41.	Linear regulator	42
Figure 42.	Linear regulator principle schematic	42
Figure 43.	Principal connections	43
Figure 44.	Application example (I/Q not used): IO-LINK device supplied by L+ pin	44
Figure 45.	Application example (I/Q not used): IO-LINK device supplied by single channel IPS	45
Figure 46.	Application example: IO-Link devices supplied by dual channel IPS	45
Figure 47.	Supply voltage protection with uni-directional Transil	46
Figure 48.	Refined supply voltage protection	46
Figure 49.	V _H protection vs. V _{CC} (only in case of different supply rails)	47
Figure 50.	Typical protection in IO-Link applications	49
Figure 51.	IO-Link and SIO application extended protection	49
Figure 52.	VFQFPN 26L (3.5x5x1.0 mm) package outline	51

Figure 53. VFQFPN 26L (3.5x5x1.0 mm) carrier tape outline 53

IMPORTANT NOTICE – PLEASE READ CAREFULLY

STMicroelectronics NV and its subsidiaries (“ST”) reserve the right to make changes, corrections, enhancements, modifications, and improvements to ST products and/or to this document at any time without notice. Purchasers should obtain the latest relevant information on ST products before placing orders. ST products are sold pursuant to ST’s terms and conditions of sale in place at the time of order acknowledgement.

Purchasers are solely responsible for the choice, selection, and use of ST products and ST assumes no liability for application assistance or the design of Purchasers’ products.

No license, express or implied, to any intellectual property right is granted by ST herein.

Resale of ST products with provisions different from the information set forth herein shall void any warranty granted by ST for such product.

ST and the ST logo are trademarks of ST. For additional information about ST trademarks, please refer to www.st.com/trademarks. All other product or service names are the property of their respective owners.

Information in this document supersedes and replaces information previously supplied in any prior versions of this document.

© 2021 STMicroelectronics – All rights reserved

X-ON Electronics

Largest Supplier of Electrical and Electronic Components

Click to view similar products for [Sensor Interface](#) category:

Click to view products by [STMicroelectronics](#) manufacturer:

Other Similar products are found below :

[ZSC31150GEG1-T](#) [ZSSC4161BE2W](#) [MCZ33784EF](#) [LM1815MX/NOPB](#) [FM-213-4-P](#) [MAX31850KATB+](#) [FM-252-4](#) [FM-215-8](#) [FM-216-AR2](#) [FM-253-4-P](#) [AS8510-ASSM](#) [AD598AD](#) [AD598JRZ](#) [AD598SD/883B](#) [743478D](#) [AD698APZ](#) [AD698SQ](#) [ADA4558WHCPZ-R7](#) [ADPD4000BCBZR7](#) [ADPD4001BCBZR7](#) [DRV401AIDWPR](#) [AS89010](#) [MAX1358BETL+](#) [MAX14827ATG+](#) [MAX14832ETB+](#) [MAX14838GTC+T](#) [MAX22520GWP+](#) [MAX31911AUI+](#) [RE46C803SS20](#) [MAX14826GTG+](#) [MAX1452AAE+](#) [MAX31855SASA+T](#) [MAX31855EASA+](#) [MAX31855SASA+](#) [MAX31855TASA+](#) [MAX31855KASA+](#) [MAX31855KASA+T](#) [MAX31855NASA+](#) [MAX35102ETJ+](#) [MAX35103EHJ+](#) [MAX6682MUA+](#) [MAX86171ENI+](#) [MAX9921AUB+](#) [MAX9924UAUB+T](#) [MAX9925AUB+](#) [MAX9927AEE+](#) [MAX1454AUE/V+](#) [MAX1454AUE+](#) [RE46C800SS20](#) [SSC7102-GQ-AB2](#)