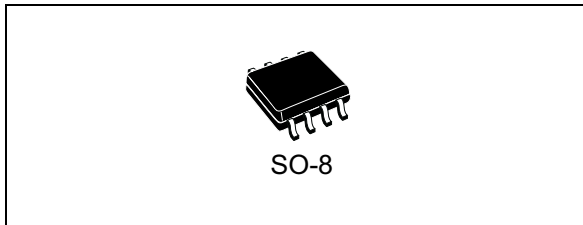


High voltage high and low-side driver

Datasheet - production data



Features

- High voltage rail up to 600 V
- dV/dt immunity ± 50 V/ns over full temperature range
- Driver current capability:
 - 290 mA source
 - 430 mA sink
- Switching times 75/35 ns rise/fall with 1 nF load
- 3.3 V, 5 V TTL/CMOS inputs with hysteresis
- Integrated bootstrap diode
- Internal 320 ns deadtime
- Interlocking function
- Compact and simplified layout
- Bill of material reduction
- Flexible, easy and fast design

Applications

- Home appliances
- Industrial applications and drives
- Motor drivers DC, AC, PMDC and PMAC motors systems
- HVAC
- Factory automation
- Power supply systems
- Compressors
- Fans
- Lighting applications

Description

The L6399 is a high voltage device manufactured using BCD™ “offline” technology. It is a single-chip half bridge gate driver for N-channel power MOSFETs or IGBTs.

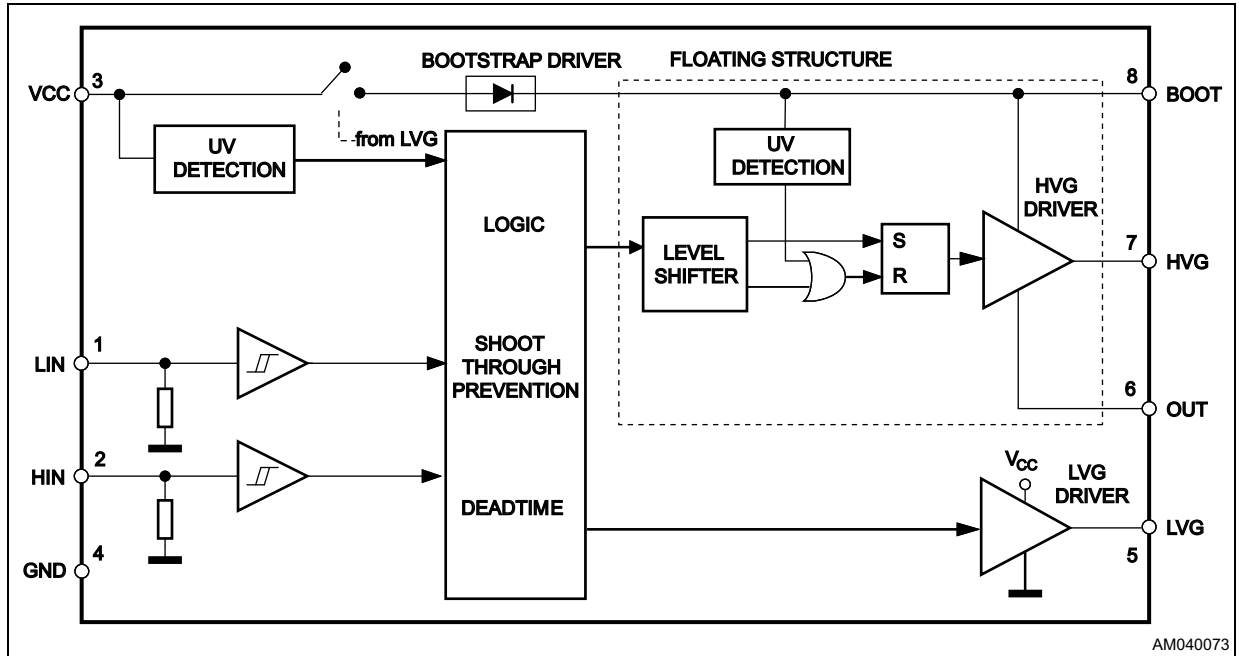
The high-side (floating) section is designed to withstand a voltage rail up to 600 V. The logic inputs are CMOS/TTL compatible down to 3.3 V for easy microcontroller/DSP interfacing.

Contents

1	Block diagram	3
2	Electrical data	4
	2.1 Absolute maximum ratings	4
	2.2 Recommended operating conditions	4
	2.3 Thermal data	4
3	Pin connection	5
4	Electrical characteristics	6
	4.1 AC operation	6
	4.2 DC operation	7
5	Timing and waveform definitions	8
6	Input logic	10
7	Bootstrap driver	11
	C _{BOOT} selection and charging	11
8	Typical application diagram	13
9	Package information	14
	9.1 SO-8 package information	15
10	Order codes	17
11	Revision history	17

1 Block diagram

Figure 1. Block diagram



2 Electrical data

2.1 Absolute maximum ratings

Table 1. Absolute maximum rating

Symbol	Parameter	Value		Unit
		Min.	Max.	
V_{CC}	Supply voltage	-0.3	21	V
V_{OUT}	Output voltage	$V_{BOOT} - 21$	$V_{BOOT} + 0.3$	V
V_{BOOT}	Bootstrap voltage	-0.3	620	V
V_{hvg}	High-side gate output voltage	$V_{OUT} - 0.3$	$V_{BOOT} + 0.3$	V
V_{lvg}	Low-side gate output voltage	-0.3	$V_{CC} + 0.3$	V
V_i	Logic input voltage	-0.3	15	V
dV_{OUT}/dt	Allowed output slew rate	-	50	V/ns
P_{tot}	Total power dissipation ($T_A = 25\text{ °C}$)	-	800	mW
T_J	Junction temperature	-	150	°C
T_{stg}	Storage temperature	-50	150	°C
ESD	Human body model	2		kV

2.2 Recommended operating conditions

Table 2. Recommended operating conditions

Symbol	Pin	Parameter	Test condition	Min.	Max.	Unit
V_{CC}	3	Supply voltage	-	10	20	V
$V_{BO}^{(1)}$	8 - 6	Floating supply voltage	-	9.8	20	V
V_{OUT}	6	Output voltage	-	- 11 ⁽²⁾	580	V
f_{sw}	-	Switching frequency	HVG, LVG load $C_L = 1\text{ nF}$	-	800	kHz
T_J	-	Junction temperature	-	-40	125	°C

1. $V_{BO} = V_{BOOT} - V_{OUT}$.

2. LVG off. $V_{CC} = 10\text{ V}$
Logic is operational if $V_{BOOT} > 5\text{ V}$.

2.3 Thermal data

Table 3. Thermal data

Symbol	Parameter	SO-8	Unit
$R_{th(JA)}$	Thermal resistance junction to ambient	150	°C/W

3 Pin connection

Figure 2. Pin connection (top view)

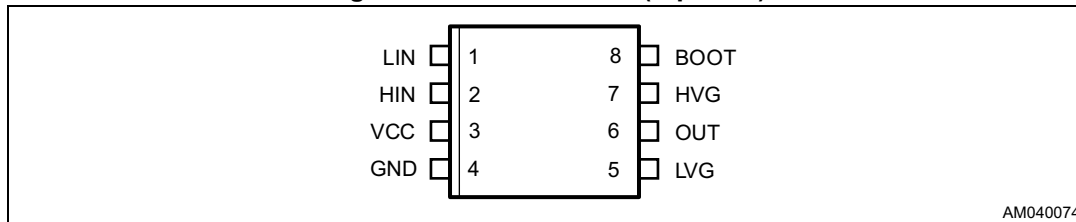


Table 4. Pin description

Pin no.	Pin name	Type	Function
1	LIN	I	Low-side driver logic input (active high)
2	HIN	I	High-side driver logic input (active high)
3	VCC	P	Lower section supply voltage
4	GND	P	Ground
5	LVG ⁽¹⁾	O	Low-side driver output
6	OUT	P	High-side (floating) common voltage
7	HVG ⁽¹⁾	O	High-side driver output
8	BOOT	P	Bootstrapped supply voltage

1. The circuit guarantees less than 1 V on the LVG and HVG pins (at $I_{\text{sink}} = 10 \text{ mA}$), with $V_{\text{CC}} > 3 \text{ V}$. This allows omitting the “bleeder” resistor connected between the gate and the source of the external MOSFET normally used to hold the pin low.

4 Electrical characteristics

4.1 AC operation

Table 5. AC operation electrical characteristics ($V_{CC} = 15\text{ V}$; $T_J = +25\text{ °C}$)

Symbol	Pin	Parameter	Test condition		Min.	Typ.	Max.	Unit
t_{on}	1, 2	High/low-side driver turn-on propagation delay ⁽¹⁾	$V_{OUT} = 0\text{ V}$ $V_{BOOT} = V_{CC}$ $C_L = 1\text{ nF}$	$V_{IN} = 0\text{ to }3.3\text{ V}$	50	125	200	ns
t_{off}	5, 7	High/low side driver turn-off propagation delay ⁽¹⁾		$V_{IN} = 3.3\text{ to }0\text{ V}$	50	125	200	ns
DT	-	Deadtime ⁽²⁾	$C_L = 1\text{ nF}$	-	225	320	415	ns
t_r	5, 7	Rise time ⁽¹⁾	$C_L = 1\text{ nF}$	-	-	75	120	ns
t_f		Fall time ⁽¹⁾	$C_L = 1\text{ nF}$	-	-	35	70	ns

1. See [Figure 3](#)

2. See [Figure 4](#).

4.2 DC operation

Table 6. DC operation electrical characteristics ($V_{CC} = 15\text{ V}$; $T_J = +25\text{ }^\circ\text{C}$)

Symbol	Pin	Parameter	Test condition	Min.	Typ.	Max.	Unit
Low supply voltage section⁽¹⁾							
V_{CC_hys}	3	V_{CC} UV hysteresis	-	1.2	1.5	1.8	V
V_{CC_thON}		V_{CC} UV turn-ON threshold	-	9	9.5	10	V
V_{CC_thOFF}		V_{CC} UV turn-OFF threshold	-	7.6	8	8.4	V
I_{QCCU}		Undervoltage quiescent supply current	$V_{CC} = 7\text{ V}$ $LIN = HIN = GND$	-	170	330	μA
I_{QCC}		Quiescent current	$V_{CC} = 15\text{ V}$ $LIN = HIN = GND$	-	380	440	μA
Bootstrapped supply voltage section⁽¹⁾							
V_{BO_hys}	8	V_{BO} UV hysteresis	-	0.8	1	1.2	V
V_{BO_thON}		V_{BO} UV turn-ON threshold	-	8.2	9	9.8	V
V_{BO_thOFF}		V_{BO} UV turn-OFF threshold	-	7.3	8	8.7	V
I_{QBOU}		Undervoltage V_{BO} quiescent current	$V_{BO} = 7\text{ V}$, $LIN = GND$; $HIN = 5\text{ V}$	-	30	140	μA
I_{QBO}		V_{BO} quiescent current	$V_{BO} = 15\text{ V}$, $LIN = GND$; $HIN = 5\text{ V}$	-	190	240	μA
I_{LK}	-	High voltage leakage current	$V_{hvg} = V_{OUT} = V_{BOOT} = 600\text{ V}$	-	-	10	μA
$R_{DS(on)}$	-	Bootstrap driver on resistance ⁽²⁾	LVG ON	-	120	-	Ω
Driving buffers section							
I_{SO}	5, 7	High/low-side source short-circuit current	$V_{IN} = V_{ih}$ ($t_p < 10\text{ }\mu\text{s}$)	200	290	-	mA
I_{SI}		High/low side sink short-circuit current	$V_{IN} = V_{il}$ ($t_p < 10\text{ }\mu\text{s}$)	250	430	-	mA
Logic inputs							
V_{il}	1, 2	Low level logic threshold voltage	-	0.8	-	1.1	V
V_{ih}		High level logic threshold voltage	-	1.9	-	2.25	V
I_{INI}		LIN/HIN logic "0" input bias current	$V_{IN} = 0\text{ V}$	-	-	1	μA
I_{HINh}	2	HIN High logic level input current	$V_{IN} = 15\text{ V}$	110	175	260	μA
R_{PD-HIN}		HIN pull-down resistor	$V_{IN} = 15\text{ V}$	57	85	137	$\text{k}\Omega$
I_{LINh}	1	LIN High logic level input current	$V_{IN} = 15\text{ V}$	10	40	100	μA
R_{PD-LIN}		LIN pull-down resistor	$V_{IN} = 15\text{ V}$	150	375	1500	$\text{k}\Omega$

1. $V_{BO} = V_{BOOT} - V_{OUT}$.

2. $R_{DS(on)}$ is tested in the following way: $R_{DS(on)} = [(V_{CC} - V_{BOOT1}) - (V_{CC} - V_{BOOT2})] / [I_1(V_{CC}, V_{BOOT1}) - I_2(V_{CC}, V_{BOOT2})]$ where I_1 is the pin 8 current when $V_{BOOT} = V_{BOOT1}$, I_2 when $V_{BOOT} = V_{BOOT2}$.

5 Timing and waveform definitions

Figure 3. Propagation delay timing definition

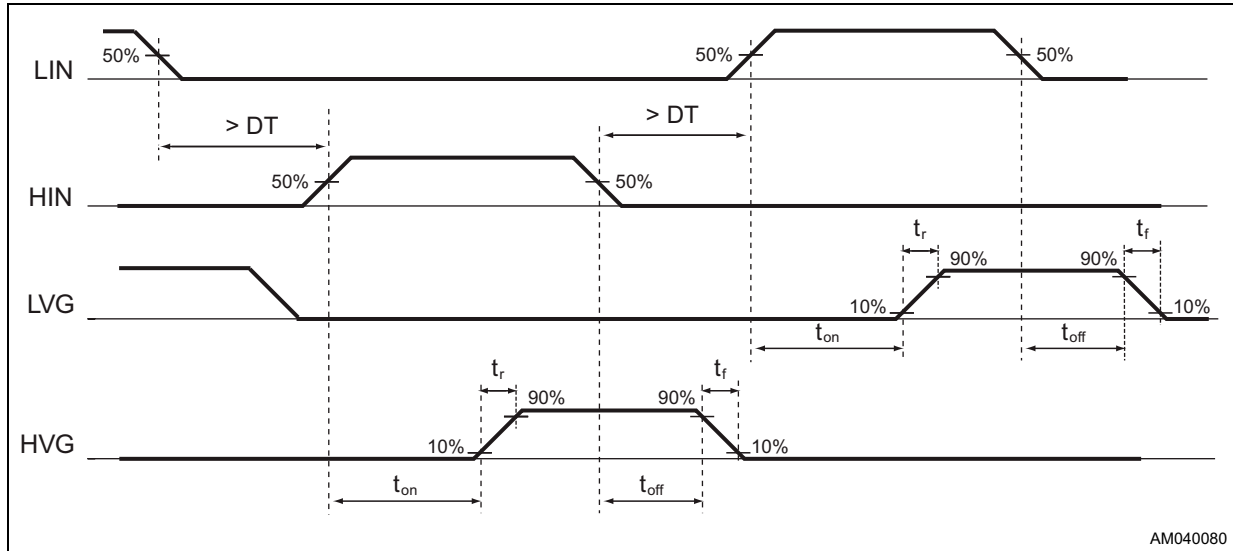


Figure 4. Deadtime and interlocking timing definition

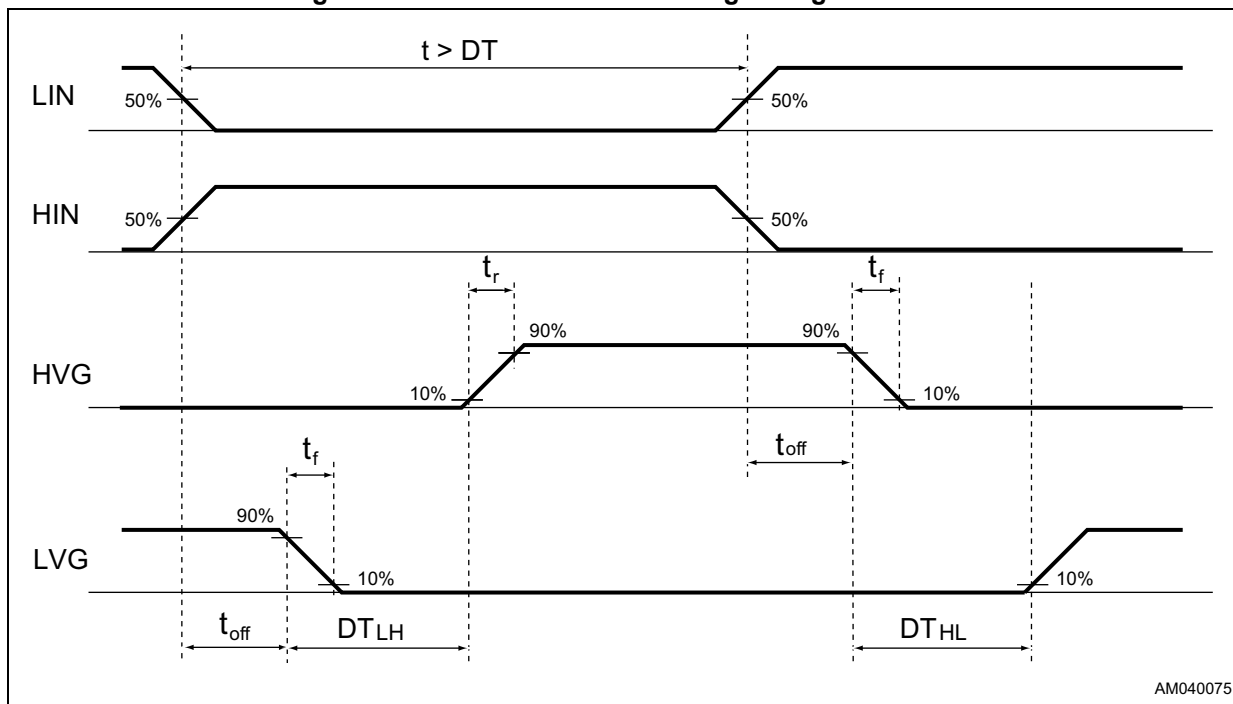
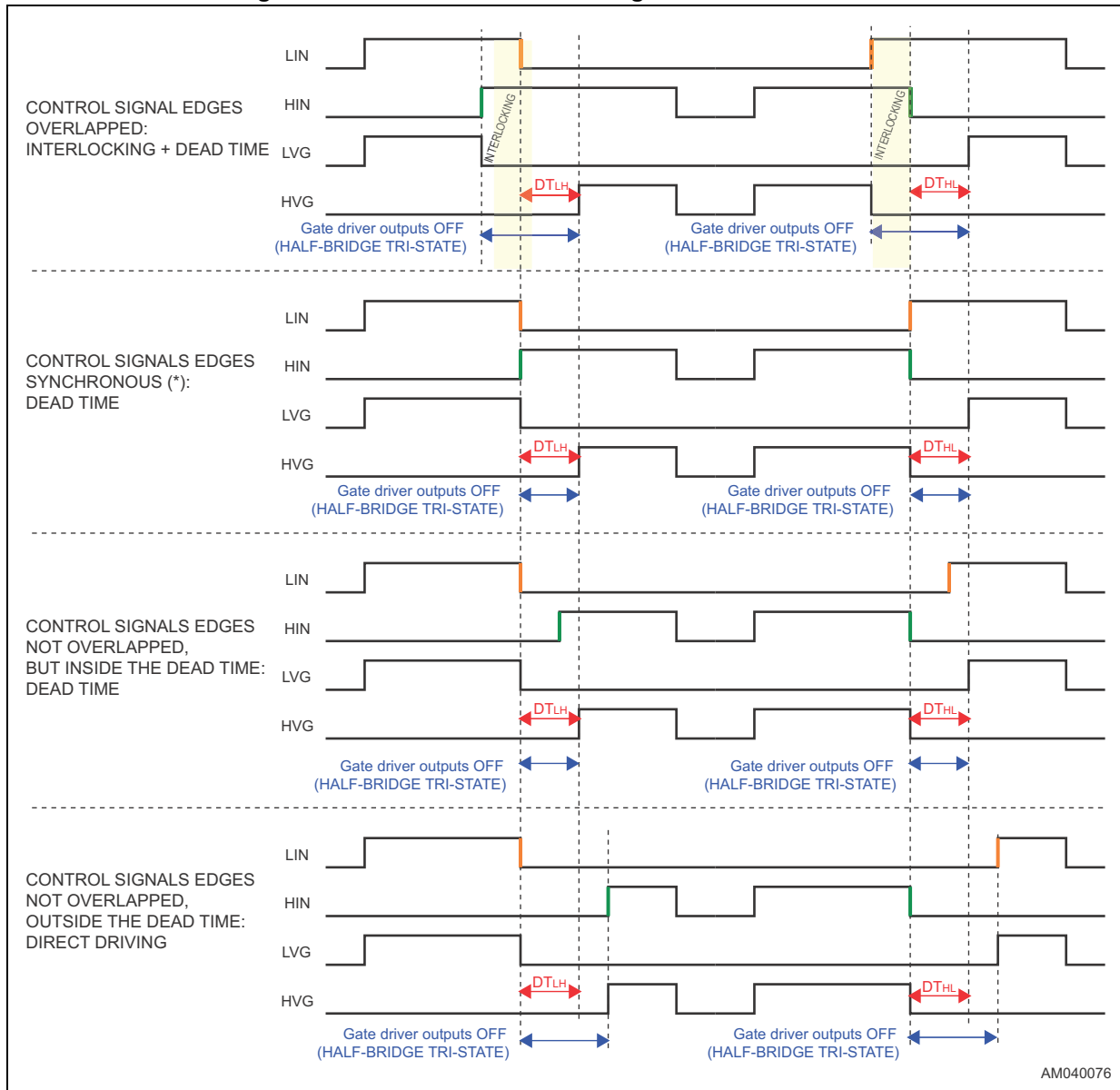


Figure 5. Deadtime and interlocking waveform definitions



6 Input logic

Table 7. Truth table

Input		Output	
LIN	HIN	LVG	HVG
L	L	L	L
L	H	L	H
H	L	H	L
H	H	L ⁽¹⁾	L ⁽¹⁾

1. Interlocking function.

Input logic is provided with interlocking circuitry which prevents the two outputs (LVG, HVG) being active at the same time when both the logic input pins (LIN, HIN) are at a high logic level. In addition, to prevent cross-conduction of the external MOSFETs, after each output is turned off, the other output cannot be turned on before a certain amount of time (DT) (see [Figure 4: Deadtime and interlocking timing definition](#) and [Figure 5: Deadtime and interlocking waveform definitions](#)).

7 Bootstrap driver

A bootstrap circuitry is needed to supply the high voltage section. This function is normally accomplished by a high voltage fast recovery diode (*Figure 6*). In the L6399 device a patented integrated structure replaces the external diode. It is realized by a high voltage DMOS, driven synchronously with the low-side driver (LVG), with a diode in series, as shown in *Figure 7*. An internal charge pump (*Figure 7*) provides the DMOS driving voltage.

C_{BOOT} selection and charging

To choose the proper C_{BOOT} value the external MOS can be seen as an equivalent capacitor. This capacitor C_{EXT} is related to the MOS total gate charge:

Equation 1

$$C_{EXT} = \frac{Q_{gate}}{V_{gate}}$$

The ratio between the capacitors C_{EXT} and C_{BOOT} is proportional to the cyclical voltage loss. It has to be:

Equation 2

$$C_{BOOT} \gg \gg C_{EXT}$$

E.g.: if Q_{gate} is 30 nC and V_{gate} is 10 V, C_{EXT} is 3 nF. With $C_{BOOT} = 100$ nF the drop would be 300 mV.

If HVG has to be supplied for a long time, the C_{BOOT} selection has to take into account also the leakage and quiescent losses.

E.g.: HVG steady state consumption is lower than 190 μ A, so if HVG T_{ON} is 5 ms, C_{BOOT} has to supply C_{EXT} with 1 μ C. This charge on a 1 μ F capacitor means a voltage drop of 1 V.

The internal bootstrap driver gives a great advantage: the external fast recovery diode can be avoided (it usually has a high leakage current).

This internal diode can work only if V_{OUT} is close to GND (or lower) and in the meanwhile the LVG is on. The charging time (T_{charge}) of the C_{BOOT} is the time in which both conditions are fulfilled and it has to be long enough to charge the capacitor.

The bootstrap driver introduces a voltage drop due to the equivalent resistance of the internal diode R_{DSon} (typical value: 120 Ω). At low frequency this drop can be neglected. Anyway increasing the frequency it must be taken in to account.

The following equation is useful to compute the drop on the bootstrap DMOS:

Equation 3

$$V_{drop} = I_{charge} \cdot R_{BOOT} \rightarrow V_{drop} = \frac{Q_{gate}}{T_{charge}} \cdot R_{DSon}$$

where Q_{gate} is the gate charge of the external power MOS.

For example: using a power MOS with a total gate charge of 30 nC the drop on the bootstrap diode is about 1 V, if the T_{charge} is 5 μs . In fact:

Equation 4

$$V_{drop} = \frac{30nC}{5\mu s} \cdot 120\Omega \sim 0.72V$$

V_{drop} has to be taken into account when the voltage drop on C_{BOOT} is calculated: if this drop is too high, or the circuit topology doesn't allow a sufficient charging time, an external diode can be used.

Figure 6. Bootstrap driver with high voltage fast recovery diode

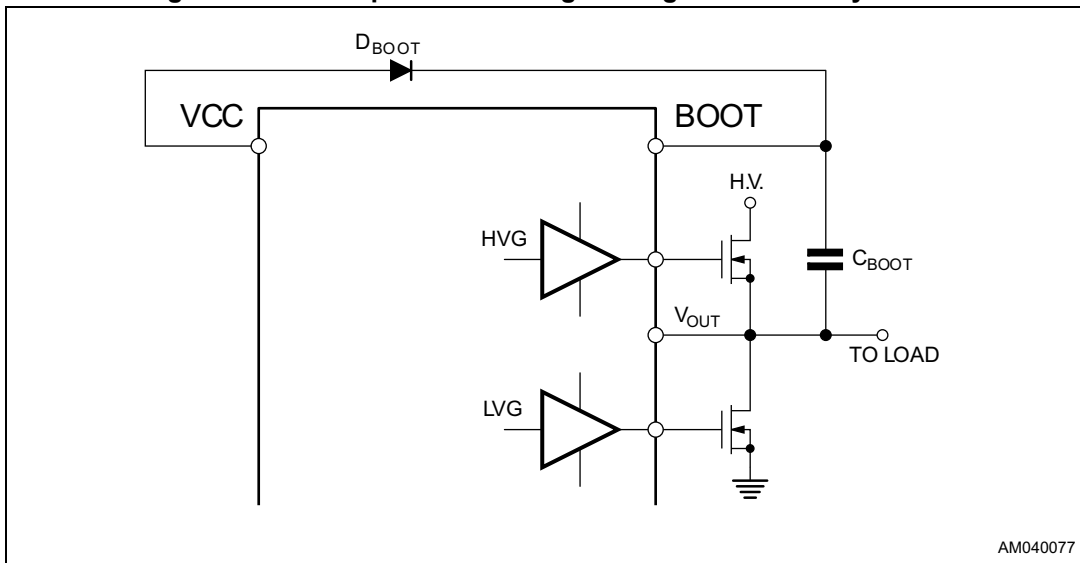
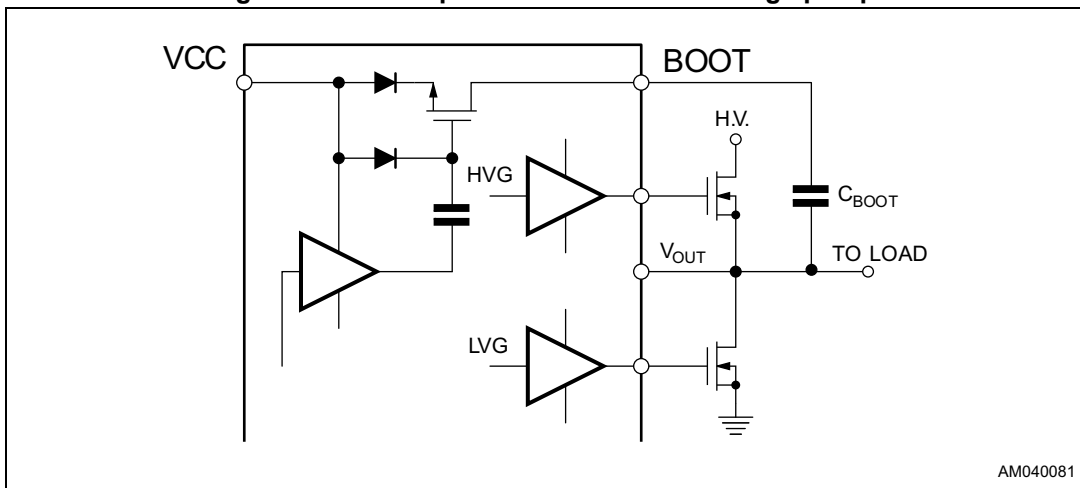
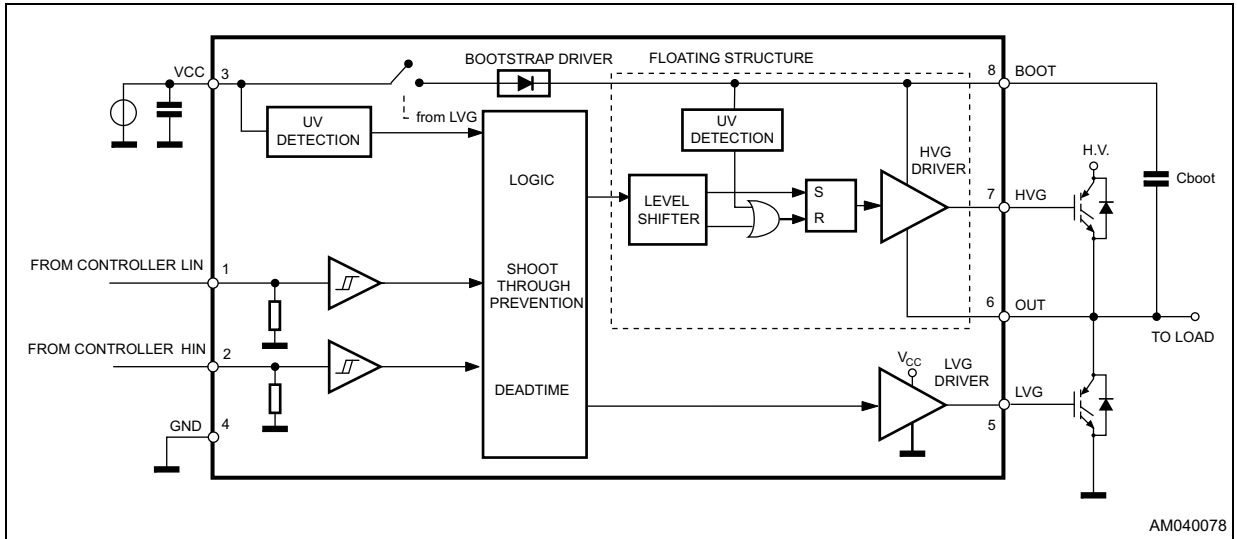


Figure 7. Bootstrap driver with internal charge pump



8 Typical application diagram

Figure 8. Typical application schematic



9 Package information

In order to meet environmental requirements, ST offers these devices in different grades of ECOPACK[®] packages, depending on their level of environmental compliance. ECOPACK specifications, grade definitions and product status are available at: www.st.com. ECOPACK is an ST trademark.

9.1 SO-8 package information

Figure 9. SO-8 package outline

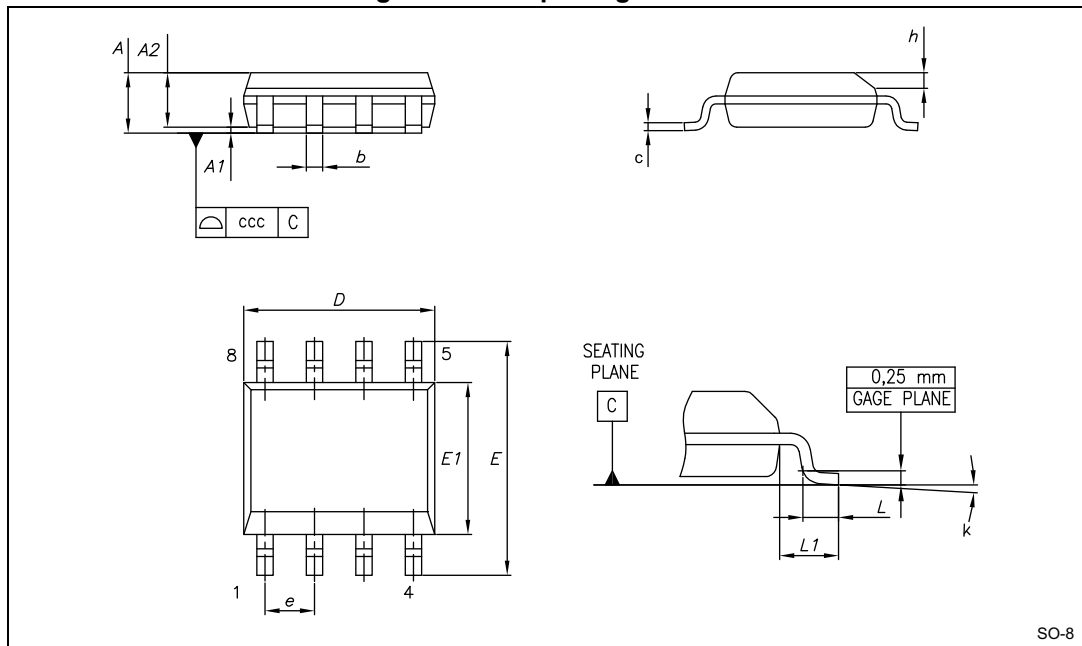
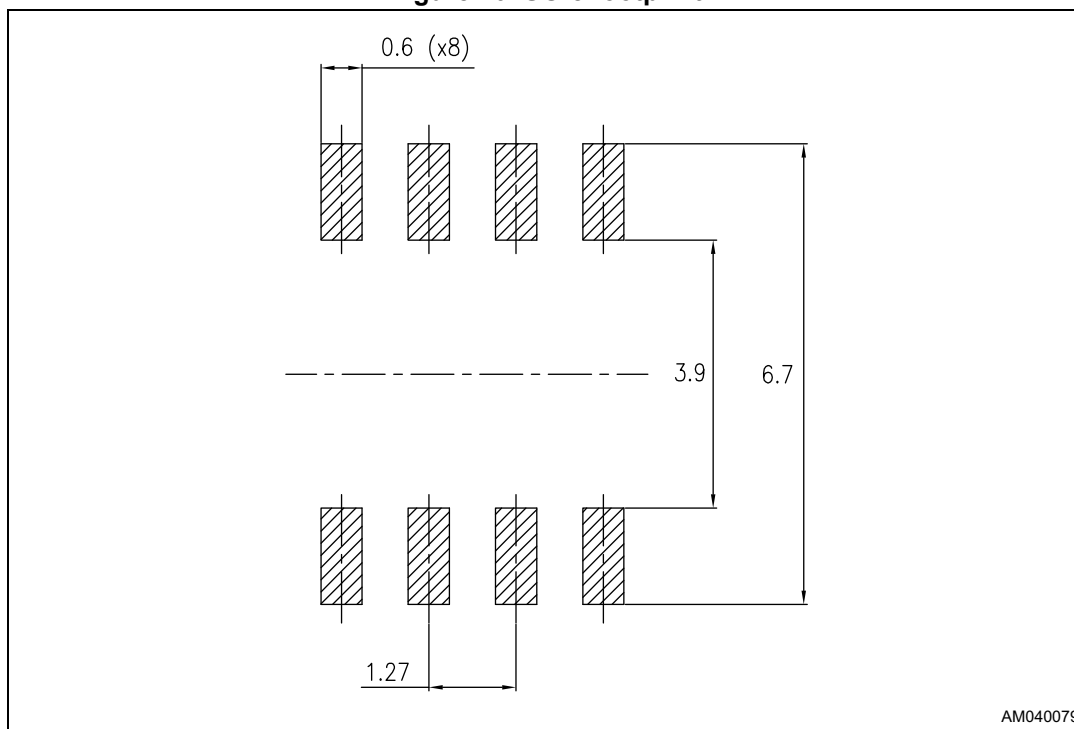


Table 8. SO-8 package mechanical data

Symbol	Dimensions (mm)			Note
	Min.	Typ.	Max.	
A	-	-	1.75	-
A1	0.10	-	0.25	-
A2	1.25	-	-	-
b	0.28	-	0.48	-
c	0.17	-	0.23	-
D	4.80	4.90	5.00	(1)
E	5.80	6.00	6.20	-
E1	3.80	3.90	4.00	(2)
e	-	1.27	-	-
h	0.25	-	0.50	-
L	0.40	-	1.27	-
L1	-	1.04	-	-
k	0	-	8	(3)
ccc	-	-	0.10	-

1. The dimension "D" does not include the mold flash, protrusions or gate burrs. The mold flash, protrusions or gate burrs shall not exceed 0.15 mm in total (both sides).
2. The dimension "E1" does not include the interlead flash or protrusions. The interlead flash or protrusions shall not exceed 0.25 mm per side.
3. Degrees.

Figure 10. SO-8 footprint



10 Order codes

Table 9. Order codes

Order codes	Package	Packaging
L6399D	SO-8	Tube
L6399DTR	SO-8	Tape and reel

11 Revision history

Table 10. Document revision history

Date	Revision	Changes
03-Mar-2017	1	Initial release.
27-Mar-2017	2	Updated document status to: Datasheet - production data on page 1 .

IMPORTANT NOTICE – PLEASE READ CAREFULLY

STMicroelectronics NV and its subsidiaries ("ST") reserve the right to make changes, corrections, enhancements, modifications, and improvements to ST products and/or to this document at any time without notice. Purchasers should obtain the latest relevant information on ST products before placing orders. ST products are sold pursuant to ST's terms and conditions of sale in place at the time of order acknowledgement.

Purchasers are solely responsible for the choice, selection, and use of ST products and ST assumes no liability for application assistance or the design of Purchasers' products.

No license, express or implied, to any intellectual property right is granted by ST herein.

Resale of ST products with provisions different from the information set forth herein shall void any warranty granted by ST for such product.

ST and the ST logo are trademarks of ST. All other product or service names are the property of their respective owners.

Information in this document supersedes and replaces information previously supplied in any prior versions of this document.

© 2017 STMicroelectronics – All rights reserved

X-ON Electronics

Largest Supplier of Electrical and Electronic Components

Click to view similar products for [Gate Drivers](#) category:

Click to view products by [STMicroelectronics](#) manufacturer:

Other Similar products are found below :

[00053P0231](#) [56956](#) [57.404.7355.5](#) [LT4936](#) [57.904.0755.0](#) [5882900001](#) [00600P0005](#) [00-9050-LRPP](#) [00-9090-RDPP](#) [5951900000](#) [01-1003W-10/32-15](#) [0131700000](#) [00-2240](#) [LTP70N06](#) [LVP640](#) [5J0-1000LG-SIL](#) [LY1D-2-5S-AC120](#) [LY2-US-AC240](#) [LY3-UA-DC24](#) [00576P0020](#) [00600P0010](#) [LZN4-UA-DC12](#) [LZNQ2M-US-DC5](#) [LZNQ2-US-DC12](#) [LZP40N10](#) [00-8196-RDPP](#) [00-8274-RDPP](#) [00-8275-RDNP](#) [00-8609-RDPP](#) [00-8722-RDPP](#) [00-8728-WHPP](#) [00-8869-RDPP](#) [00-9051-RDPP](#) [00-9091-LRPP](#) [00-9291-RDPP](#) [0207100000](#) [0207400000](#) [60100564](#) [01312](#) [0134220000](#) [60713816](#) [M15730061](#) [61161-90](#) [61278-0020](#) [6131-204-23149P](#) [6131-205-17149P](#) [6131-209-15149P](#) [6131-218-17149P](#) [6131-220-21149P](#) [6131-260-2358P](#)