

Synchronous rectifier step up converter

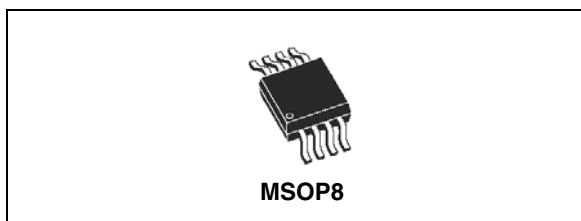
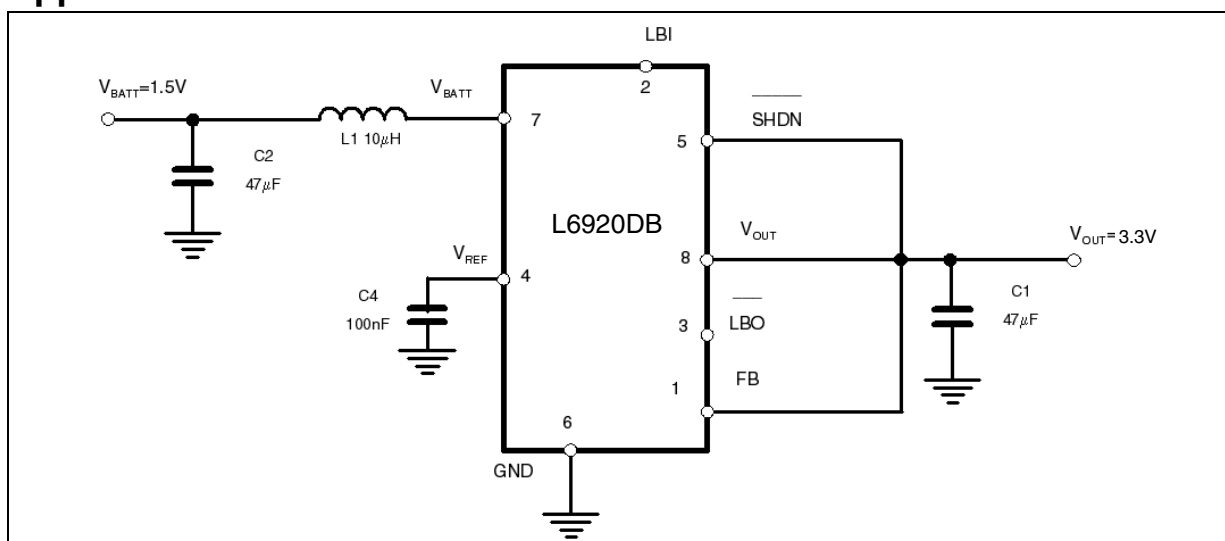
General features

- 0.8V start up input voltage
- Up to 5.5V operating input voltage
- Internal synchronous rectifier
- Adjustable output voltage from 1.8V
- 3.3V and 5V fixed output voltages
- Low battery voltage detection
- Reverse battery protection
- 750mA input current limit
- Switching frequency up to 1MHz
- 1.23V reference voltage available

Applications

- Conversion from 1 to 3 alkaline,
- NiMH, NiCd battery cells or 1 lithium ION
- PDA and handheld instruments
- Digital cameras
- Cellular phones
- GPS
- Distributed power

Application circuit



Description

The L6920DB is a high efficiency monolithic step up switching converter IC especially designed for battery powered application.

Package is MSOP8 in order to minimize PCB space. It requires only three external components to realize the conversion from the battery voltage to the selected output voltage.

The minimum output voltage is 1.8V: suitable to supply the most advanced ASIC and μ P.

High switching frequency allows for a low profile, small sized inductor and output capacitor to be used.

Reference voltage, low battery detection and Shutdown are provided together with over current.

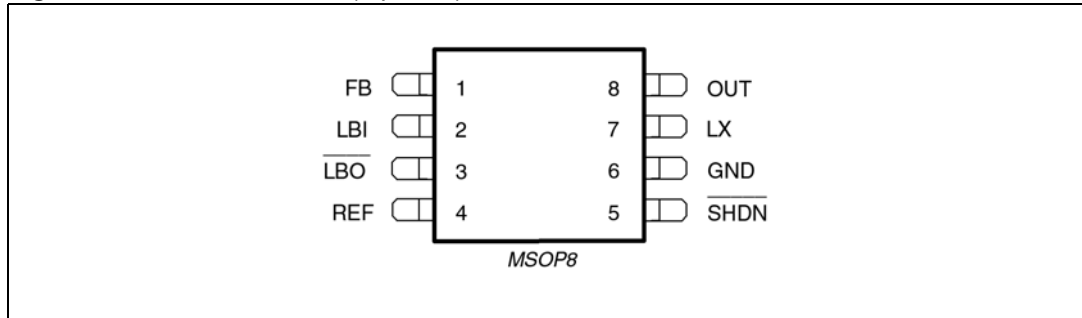
Contents

1	Pin settings	3
	1.1 Pin connection	3
	1.2 Pin description	3
2	Electrical data	4
	2.1 Maximum ratings	4
	2.2 Thermal data	4
3	Electrical characteristics	5
4	Typical performance	6
5	Detailed description	7
	5.1 Principle of operation	7
	5.2 Start-up	9
	5.3 Shutdown	10
	5.4 Low battery detection	10
	5.5 Low battery input	10
	5.6 Reverse polarity	10
	5.7 Output voltage selection	10
6	Package mechanical data	12
7	Order code	14
8	Revision history	15

1 Pin settings

1.1 Pin connection

Figure 1. Pin connection (top view)



1.2 Pin description

Table 1. Pin description

N°	Type	Description
1	FB	Output voltage selector. Connect FB to GND for $V_{out}=5V$ or to OUT for $V_{out}=3.3V$. Connect FB to an external resistor divider for adjustable output voltage
2	LBI	Battery low voltage detector input. The internal threshold is set to 1.23V. A resistor divider is needed to adjust the desired low battery threshold.
3	\overline{LBO}	Battery low voltage detector output. If the voltage at the LBI pin drops below the internal threshold typ. 1.23V, \overline{LBO} goes low. The \overline{LBO} is an open drain output and so a pull-up resistor (about 200K Ω) has to be added for correct output setting .
4	REF	1.23V reference voltage. Bypass this output to GND with a 100nF capacitor for filtering high frequency noise. No capacitor is required for stability
5	\overline{SHDN}	Shutdown pin. When pin 5 is below 0.2V the device is in shutdown, when pin 5 is above 0.6V the device is operating.
6	GND	Ground pin
7	LX	Step-up inductor connection
8	OUT	Power OUTPUT pin

2 Electrical data

2.1 Maximum ratings

Table 2. Absolute maximum ratings

Symbol	Parameter	Value	Unit
V_{CCmax}	V_{CC} to GND	6	V
	LBI, \overline{SHDN} , FB to GND	6	V
$V_{out\ max}$	Vout to GND	6	V

2.2 Thermal data

Table 3. Thermal data

Symbol	Parameter	Value	Unit
R_{thJA}	Maximum thermal resistance junction-ambient	180	°C/W
T_J	Maximum junction temperature	150	°C

3 Electrical characteristics

Table 4. Electrical characteristics

($V_{IN} = 2V$, $FB = GND$, $T_J = 25^\circ C$ unless otherwise specified)

Symbol	Parameter	Test condition	Min	Typ	Max	Unit
V_{CC} Section						
V_{IN}	Minimum Start Up Input Voltage	$V_{out} = 3.3V$		0.8		V
I_q	Quiescent Current	$I_l = 0\text{ mA}$, $FB = 1.4V$, $V_{out} = 3.3V$ $LBI = SHDN = 2V$		9	12	μA
		$I_l = 0\text{ mA}$, $FB = 1.4V$, $V_{out} = 5V$ $LBI = SHDN = 2V$		11	15	μA
I_{sd}	Shut Down Current	$V_{in} = 5V$, $I_l = 0\text{ mA}$		0.1	1	μA
I_{rev}	Reverse battery current	$V_{in} = -4V$		0.1	1	μA
Power section						
R_{on-N}	Active switch ON resistance			300		m Ω
R_{on-P}	Synchronous switch ON resistance			300		m Ω
Control section						
V_{out}	Output voltage	$FB = OUT$, $I_l = 0\text{ mA}$	3.2	3.3	3.4	V
		$FB = GND$, $I_l = 0\text{ mA}$	4.9	5	5.1	V
	Output voltage range	External divider	1.8		5.2	V
V_{LBI}	LBI threshold			1.23		V
V_{LBO}	LBO logic LOW	$I_{sink} = 1\text{ mA}$		0.2	0.4	V
I_{lim}	LX switch current limit		0.7	0.8	0.9	A
T_{onmax}	Maximum on time	$V_{out} = 3.3V$	3.75	5	6.25	μs
T_{offmin}	Minimum off time	$V_{out} = 3.3V$	0.75	1	1.25	μs
\overline{SHDN}	\overline{SHDN} logic LOW				0.2	V
			0.6			V
V_{ref}	Reference Voltage		1.18	1.23	1.27	V

4 Typical performance

Figure 2. Efficiency vs output current @ $V_{OUT} = 3.3V$

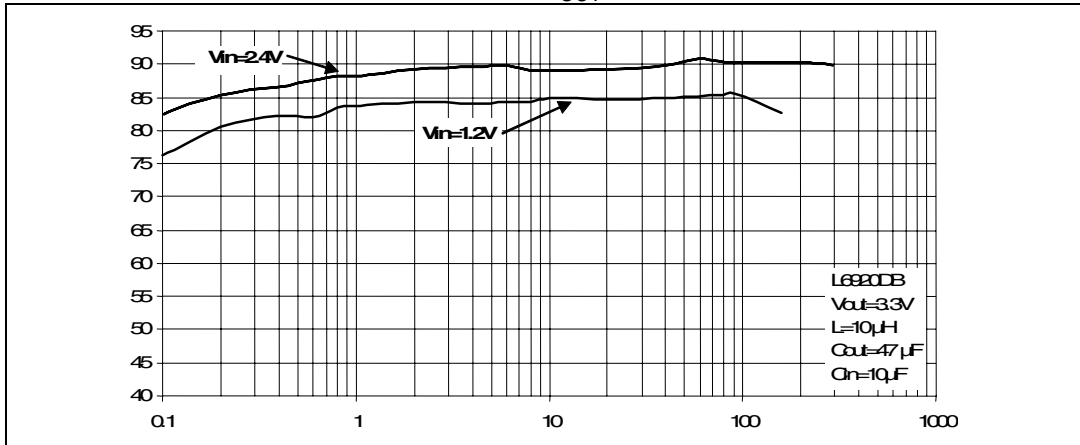


Figure 3. Efficiency vs output current @ $V_{OUT} = 5V$

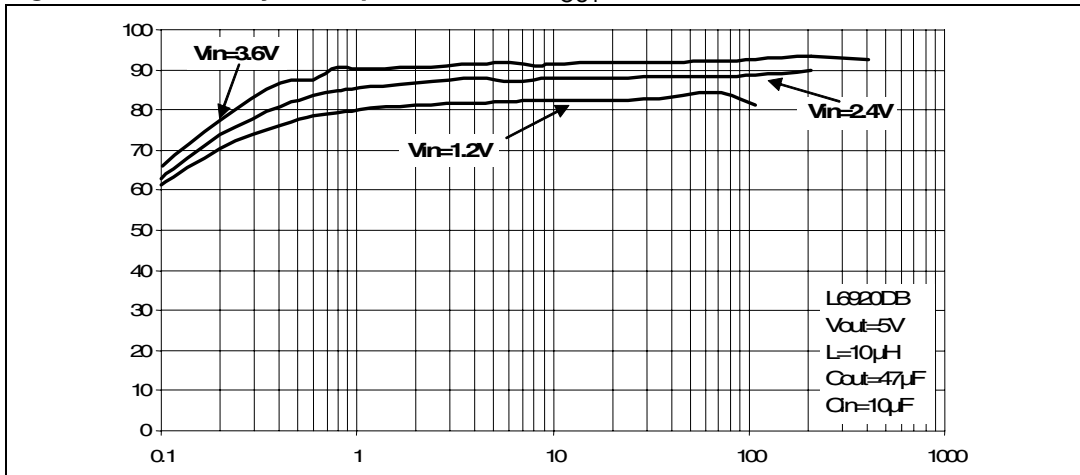
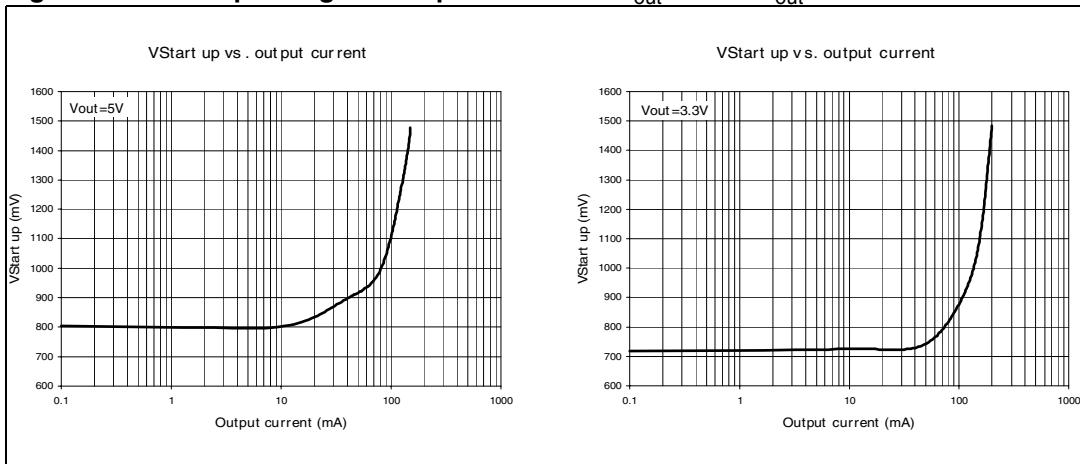


Figure 4. Start up voltage vs output current @ $V_{out} = 5V$ & $V_{out} = 3.3V$



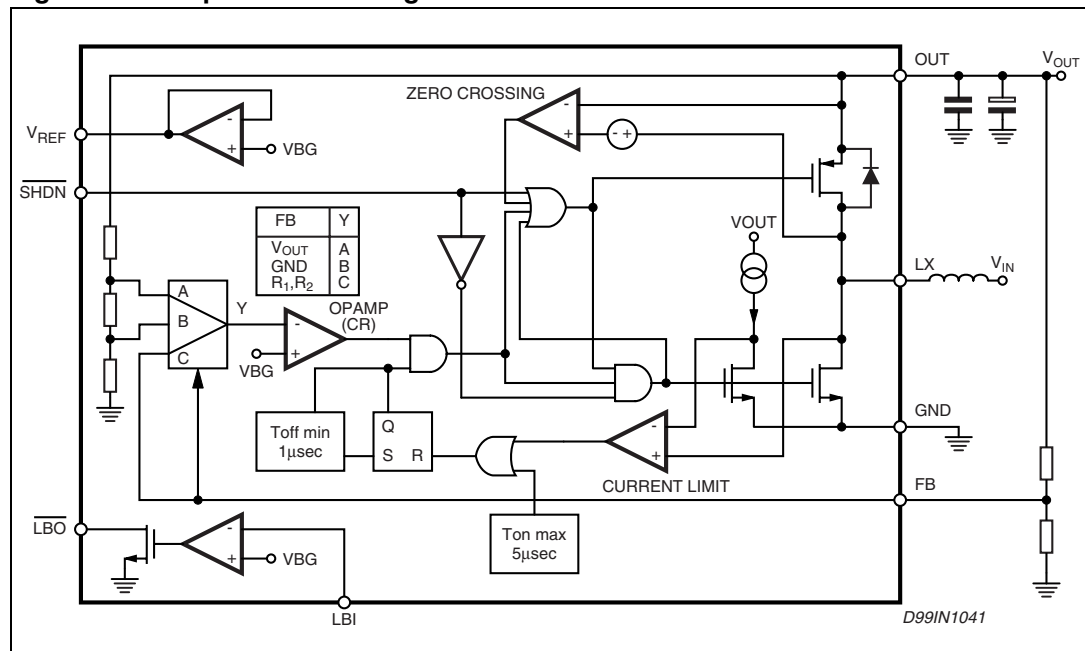
5 Detailed description

The L6920DB is a high efficiency, low voltage step-up DC/DC converter particularly suitable for 1 to 3 cells (Li-Ion/ polymer, NiMH respectively) battery up conversion.

These performances are achieved via a strong reduction of quiescent current (10 μ A only) and adopting a synchronous rectification that implies also a reduced cost in the application (no external diode required).

Operation is based on maximum ON time - minimum OFF time control, tailored by a current limit set to 800mA. A simplified block diagram is shown here below.

Figure 5. Simplified block diagram



5.1 Principle of operation

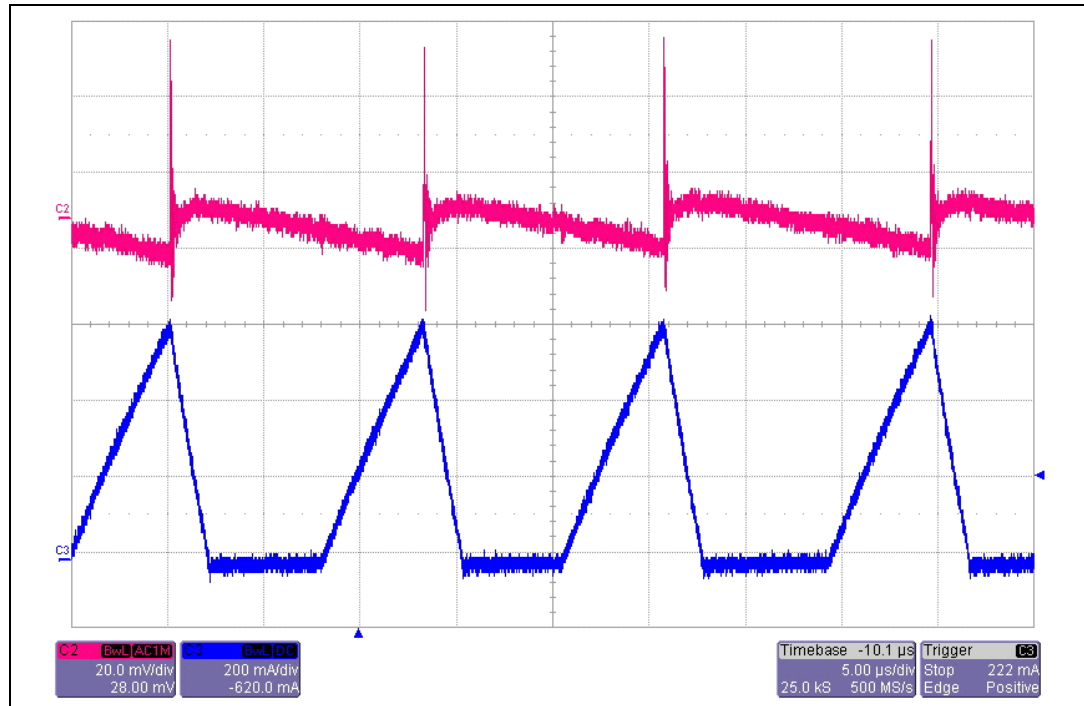
In L6920DB the control is based on a comparator that continuously checks the status of output voltage.

If the output voltage is lower than the expected value, the control function of the L6920DB directs the energy stored in the inductor to be transferred to the load. This is accomplished by alternating between two basic steps:

- **T_{ON} phase:** the energy is transferred from the battery to the inductor by shorting LX node to ground via the N-channel power switch. The switch is turned off if the current flowing in the inductor reaches 750mA or after a maximum on time set to 5 μ s.
- **T_{OFF} phase:** the energy stored in the inductor is transferred to the load through the synchronous switch for at least a minimum off time equal to 1 μ s. After this, the synchronous switch is turned off as soon as the output voltage goes lower than the regulated voltage or the current flowing in the inductor goes down to zero.

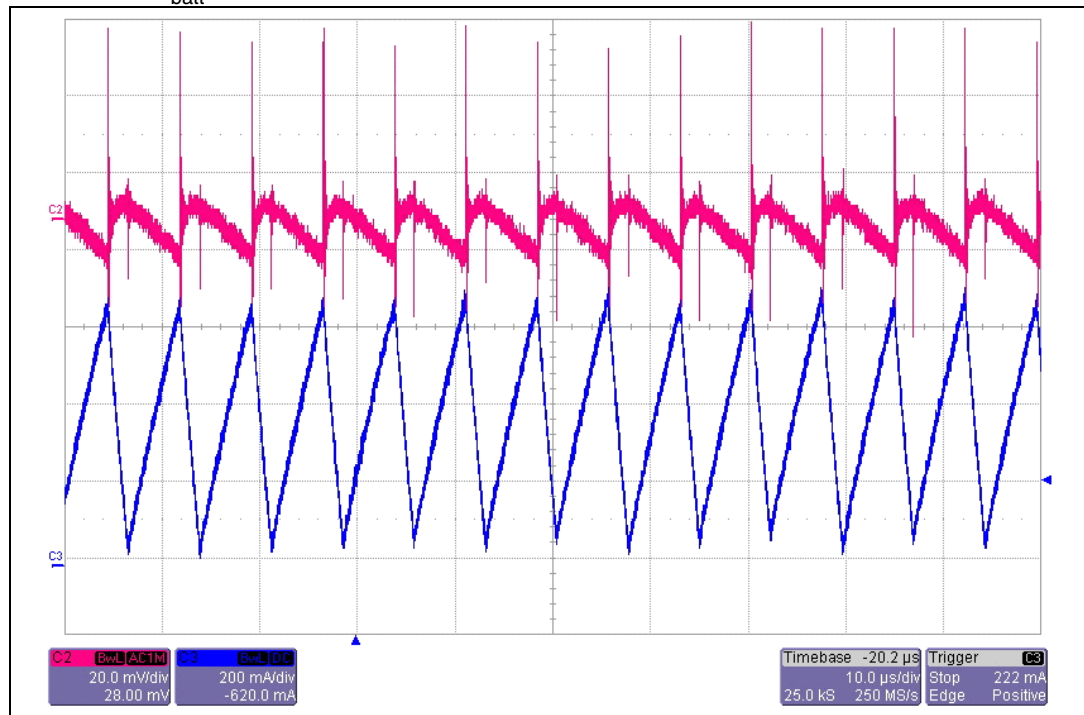
So, in case of light load, the device works in PFM mode, as shown in [Figure 8](#):

Figure 6. PFM mode condition: $V_{out} = 5V$; $V_{batt} = 1.5V$; C2 = V_{out} ; C3 = Inductor Current



[Figure 7](#) shows how the device works in case of heavy load.

Figure 7. Heavy load conditions C2 = V_{out} ; C3 = Inductor Current; $V_{out} = 5V$; $V_{batt} = 1.5V$



Considering that current in the inductor is limited to 800mA, the maximum load current is defined by the following relationship:

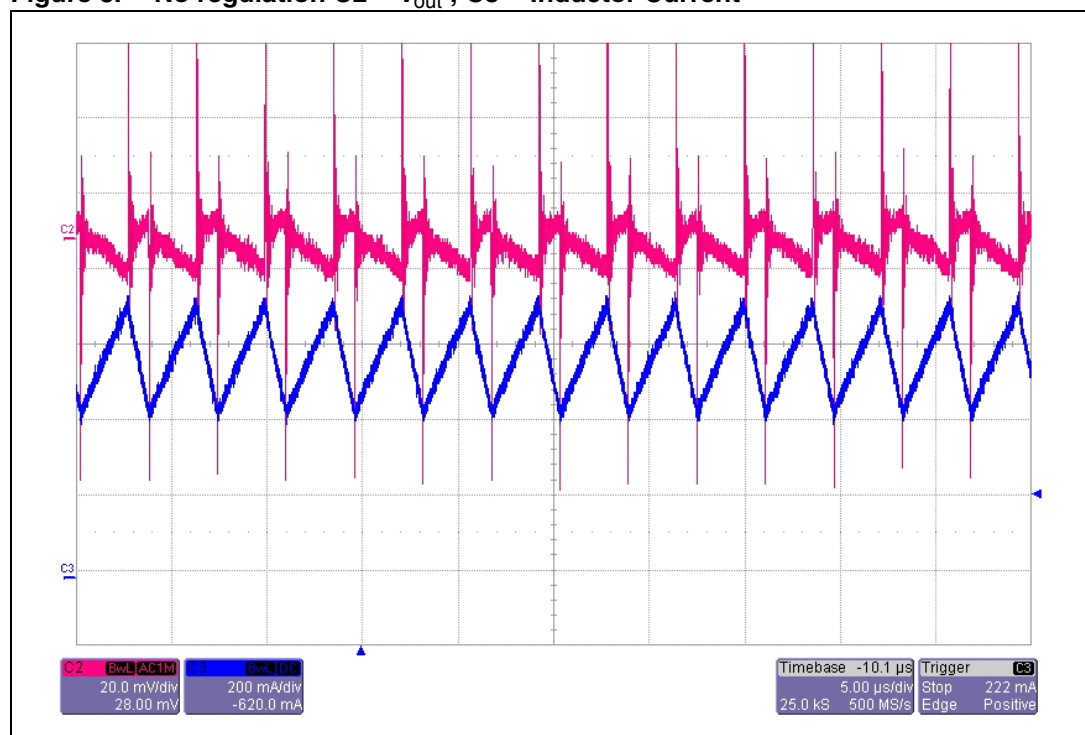
Equation 1

$$I_{LOAD_LIM} = \frac{V_{in}}{V_{out}} \cdot \left(I_{LIM} - T_{OFF_MIN} \cdot \frac{V_{out} - V_{in}}{2 \cdot L} \right) \cdot \eta$$

Where η is the efficiency and $I_{LIM} = 750\text{mA}$

Of course, if I_{LOAD} is greater than I_{LOAD_LIM} the regulation is lost ([Figure 8](#)).

Figure 8. No regulation C2 = V_{out} ; C3 = Inductor Current



5.2 Start-up

One of the key features of L6920DB is the startup at supply voltage down to 0.8V (please see the diagram in [Figure 4](#)).

The device leaves the startup mode of operation as soon as V_{out} goes over 1.4V. During startup, the synchronous switch is off and the energy is transferred to the load through its intrinsic body diode.

The N-channel switches with a very low $R_{DS(on)}$ thanks to an internal charge pump used to bias the power MOS gate. Because of this modified behavior, T_{ON}/T_{OFF} times are lengthened. Current limit and zero crossing detection are still available.

5.3 Shutdown

In shutdown mode ($\overline{\text{SHDN}}$ pulled low) all internal circuitries are turned off, minimizing the current provided by the battery ($I_{\text{SHDN}} < 100 \text{ nA}$, in typical case).

Both switches are turned off, and the low battery comparator output is forced in high impedance state.

The synchronous switch body diode causes a parasitic path between power supply and output that can't be avoided also in shutdown.

5.4 Low battery detection

The L6920DB includes a low battery detector comparator.

Threshold is V_{REF} voltage and a hysteresis is added to avoid oscillations when input crosses the threshold slowly. The $\overline{\text{LBO}}$ is an open drain output so a pull up resistor is required for a proper use.

5.5 Low battery input

It is possible to fix, using an external resistor divider, the $\overline{\text{LBO}}$ threshold, in order to adapt the $\overline{\text{LBO}}$ detection at the correct input source, by the following equation:

Equation 2

$$V_{\text{batt-th}} = 1.23\text{V} \cdot \left(1 + \frac{R1}{R2}\right)$$

Where $V_{\text{batt-th}}$ is the battery voltage at which the internal comparator is triggered.

5.6 Reverse polarity

A protection circuit has been implemented to avoid that L6920DB and the battery are destroyed in case of wrong battery insertion.

In addition, this circuit has been designed so that the current required by the battery is zero also in reverse polarity.

If a battery can be inserted in reverse direction, a non polarized capacitor should be installed in location of C2.

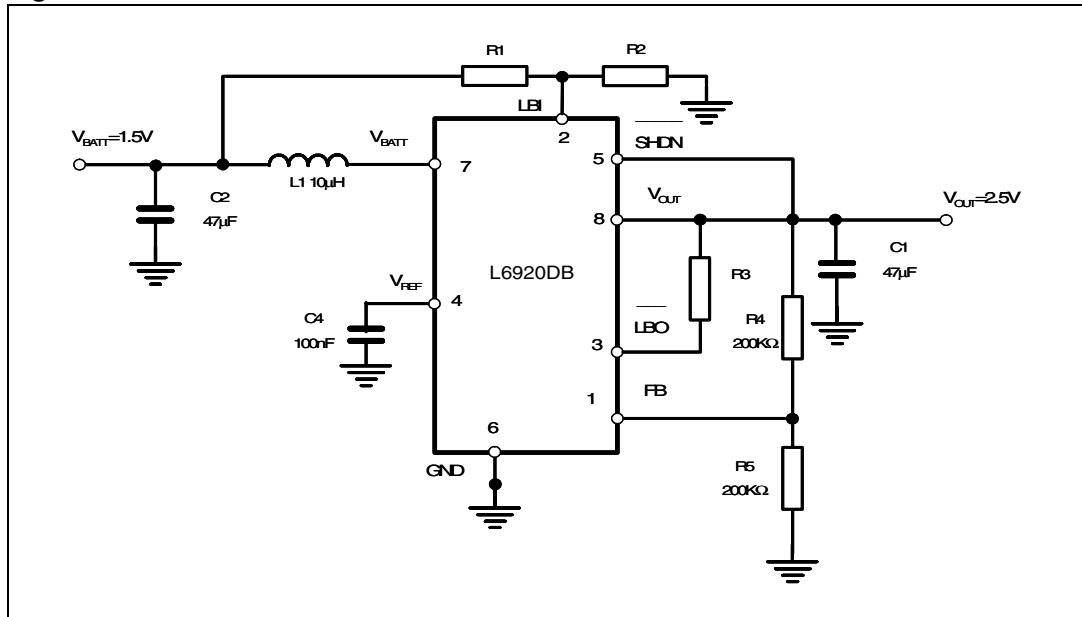
5.7 Output voltage selection

Output voltage must be selected acting on FB pin.

Three choices are available: fixed 3.3V, 5V or adjustable output set via an external resistor divider.

Table 5. Output voltage connection

$V_{out} = 3.3V$	FB pin connected to OUT (see application circuit)
$V_{out} = 5V$	FB pin connected to GND
$1.8V < V_{out} < 5.5V$	FB pin connected to a resistive divider $V_{out} = 1.23V \cdot \left(1 + \frac{R4}{R5}\right)$

Figure 9. Test circuit

6 Package mechanical data

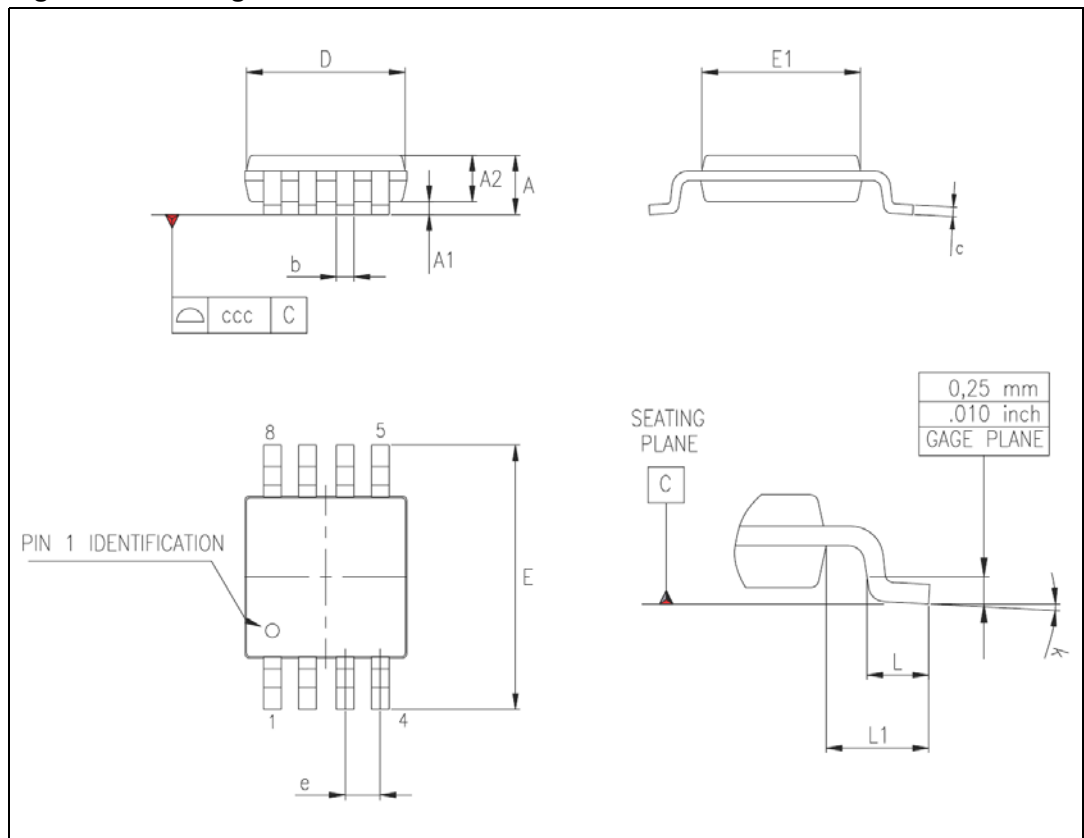
In order to meet environmental requirements, ST offers these devices in ECOPACK® packages. These packages have a Lead-free second level interconnect . The category of second level interconnect is marked on the package and on the inner box label, in compliance with JEDEC Standard JESD97. The maximum ratings related to soldering conditions are also marked on the inner box label. ECOPACK is an ST trademark. ECOPACK specifications are available at: www.st.com

Table 6. MSOP8 Mechanical data

Dim.	mm.			inch		
	Min	Typ	Max	Min	Typ	Max
A			1.10			0.043
A1	0.050		0.150	0.002		0.006
A2	0.750	0.850	0.950	0.03	0.033	0.037
b	0.250		0.400	0.010		0.016
c	0.130		0.230	0.005		0.009
D (1)	2.900	3.000	3.100	0.114	0.118	0.122
E	4.650	4.900	5.150	0.183	0.193	0.20
E1 (1)	2.900	3.000	3.100	0.114	0.118	0.122
e		0.650			0.026	
L	0.400	0.550	0.700	0.016	0.022	0.028
L1		0.950			0.037	
k	0° (min.) 6° (max.)					
aaa			0.100			0.004

1. D and F does not include mold flash or protrusions. Mold flash or protrusions shall not exceed 0.15mm (.006inch) per side.

Figure 10. Package dimensions



7 Order code

Table 7. Order code

Part number	Package	Packaging
L6920DB	MSOP8	Tube
L6920DBTR	MSOP8	Tape and reel

8 Revision history

Table 8. Revision history

Date	Revision	Changes
18-Mar-2005	1	First issue
03-Aug-2005	2	Changed from "Preliminary Data" to "Datasheet". Modified Section 1 and Table 5. Added Figg. 3, 6 and new Section 3.
01-Jun-2006	3	New template, modified application circuit and Figure 9 .
13-Oct-2006	4	Cover page description updated.
30-Oct-2006	5	Typo in Figure 7 on page 8

Please Read Carefully:

Information in this document is provided solely in connection with ST products. STMicroelectronics NV and its subsidiaries ("ST") reserve the right to make changes, corrections, modifications or improvements, to this document, and the products and services described herein at any time, without notice.

All ST products are sold pursuant to ST's terms and conditions of sale.

Purchasers are solely responsible for the choice, selection and use of the ST products and services described herein, and ST assumes no liability whatsoever relating to the choice, selection or use of the ST products and services described herein.

No license, express or implied, by estoppel or otherwise, to any intellectual property rights is granted under this document. If any part of this document refers to any third party products or services it shall not be deemed a license grant by ST for the use of such third party products or services, or any intellectual property contained therein or considered as a warranty covering the use in any manner whatsoever of such third party products or services or any intellectual property contained therein.

UNLESS OTHERWISE SET FORTH IN ST'S TERMS AND CONDITIONS OF SALE ST DISCLAIMS ANY EXPRESS OR IMPLIED WARRANTY WITH RESPECT TO THE USE AND/OR SALE OF ST PRODUCTS INCLUDING WITHOUT LIMITATION IMPLIED WARRANTIES OF MERCHANTABILITY, FITNESS FOR A PARTICULAR PURPOSE (AND THEIR EQUIVALENTS UNDER THE LAWS OF ANY JURISDICTION), OR INFRINGEMENT OF ANY PATENT, COPYRIGHT OR OTHER INTELLECTUAL PROPERTY RIGHT.

UNLESS EXPRESSLY APPROVED IN WRITING BY AN AUTHORIZED ST REPRESENTATIVE, ST PRODUCTS ARE NOT RECOMMENDED, AUTHORIZED OR WARRANTED FOR USE IN MILITARY, AIR CRAFT, SPACE, LIFE SAVING, OR LIFE SUSTAINING APPLICATIONS, NOR IN PRODUCTS OR SYSTEMS WHERE FAILURE OR MALFUNCTION MAY RESULT IN PERSONAL INJURY, DEATH, OR SEVERE PROPERTY OR ENVIRONMENTAL DAMAGE. ST PRODUCTS WHICH ARE NOT SPECIFIED AS "AUTOMOTIVE GRADE" MAY ONLY BE USED IN AUTOMOTIVE APPLICATIONS AT USER'S OWN RISK.

Resale of ST products with provisions different from the statements and/or technical features set forth in this document shall immediately void any warranty granted by ST for the ST product or service described herein and shall not create or extend in any manner whatsoever, any liability of ST.

ST and the ST logo are trademarks or registered trademarks of ST in various countries.

Information in this document supersedes and replaces all information previously supplied.

The ST logo is a registered trademark of STMicroelectronics. All other names are the property of their respective owners.

© 2006 STMicroelectronics - All rights reserved

STMicroelectronics group of companies

Australia - Belgium - Brazil - Canada - China - Czech Republic - Finland - France - Germany - Hong Kong - India - Israel - Italy - Japan - Malaysia - Malta - Morocco - Singapore - Spain - Sweden - Switzerland - United Kingdom - United States of America

www.st.com

X-ON Electronics

Largest Supplier of Electrical and Electronic Components

Click to view similar products for [Switching Voltage Regulators](#) category:

Click to view products by [STMicroelectronics](#) manufacturer:

Other Similar products are found below :

[FAN53610AUC33X](#) [FAN53611AUC123X](#) [FAN48610BUC33X](#) [FAN48610BUC45X](#) [FAN48617UC50X](#) [R3](#) [430464BB](#) [KE177614](#)
[MAX809TTR](#) [NCV891234MW50R2G](#) [NCP81103MNTXG](#) [NCP81203PMNTXG](#) [NCP81208MNTXG](#) [NCP81109GMNTXG](#)
[SCY1751FCCT1G](#) [NCP81109JMNTXG](#) [AP3409ADNTR-G1](#) [NCP81241MNTXG](#) [LTM8064IY](#) [LT8315EFE#TRPBF](#) [LTM4668AIY#PBF](#)
[NCV1077CSTBT3G](#) [XCL207A123CR-G](#) [MPM54304GMN-0002](#) [MPM54304GMN-0004](#) [MPM54304GMN-0003](#)
[XDPE132G5CG000XUMA1](#) [MP8757GL-P](#) [MP9943AGQ-P](#) [MIC23356YFT-TR](#) [LD8116CGL](#) [HG2269M/TR](#) [OB2269](#) [XD3526](#) [U6215A](#)
[U6215B](#) [U6620S](#) [LTC3412IFE](#) [LT1425IS](#) [MAX25203BATJA/VY+](#) [MAX77874CEWM+](#) [XC9236D08CER-G](#) [ISL95338IRTZ](#) [MP3416GJ-P](#)
[BD9S201NUX-CE2](#) [MP5461GC-Z](#) [MPQ4415AGQB-Z](#) [MPQ4590GS-Z](#) [MAX38640BENT18+T](#) [MAX77511AEWB+](#)