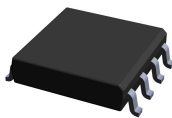
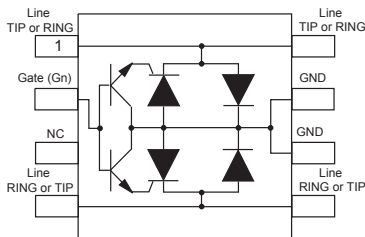


## Programmable transient voltage suppressor for SLIC protection



SO-8



Product status link

[LCP1521S](#)

### Features

- Programmable transient suppressor
- Wide negative firing voltage range:
  - $V_{Gn} = -175\text{ V max.}$
- Low dynamic switching voltages:
  - $V_{FP}$  and  $V_{DGL}$
- Low gate triggering current:  $I_{GT} = 5\text{ mA max.}$
- Peak pulse current:  $I_{PP} = 40\text{ A (5/310 }\mu\text{s)}$
- Holding current:  $I_H = 150\text{ mA min.}$
- **Benefits:**
  - A Trisil is not subject to ageing and provides a fail-safe mode in short circuit for a better protection.
  - Trisils are used to help equipment to meet various standards such as UL60950, IEC 60950 / CSA C22.2, UL1459 and TIA-968-A (formerly FCC part 68)
  - Trisils have UL94 V0 resin approved (Trisils are UL497B approved - file: E136224)

### Description

These devices have been especially designed to protect new high voltage, as well as classical SLICs, against transient overvoltages.

Positive overvoltages are clamped by 2 diodes. Negative surges are suppressed by 2 thyristors, their breakdown voltage being referenced to  $-V_{BAT}$  through the gate.

These components present a very low gate triggering current ( $I_{GT}$ ) in order to reduce the current consumption on printed circuit board during the firing phase.

# 1 Characteristics

**Table 1. Standards compliance**

Standard	Peak surge voltage (V)	Voltage waveform	Required peak current (A)	Current waveform	Minimum serial resistor to meet standard ( $\Omega$ )
GR-1089 core first level	2500	2/10 $\mu$ s	500	2/10 $\mu$ s	12
	1000	10/1000 $\mu$ s	100	10/1000 $\mu$ s	24
GR-1089 core second level	5000	2/10 $\mu$ s	500	2/10 $\mu$ s	24
GR-1089 core intra-building	1500	2/10 $\mu$ s	100	2/10 $\mu$ s	0
ITU-T-K20/K21	6000	10/700 $\mu$ s	150	5/310 $\mu$ s	110
	1500		37.5		0
ITU-T-K20 (IEC 61000-4-2)	8000	1/60 ns	ESD contact discharge		0
	15000		ESD air discharge		0
IEC 61000-4-5	4000	10/700 $\mu$ s	100	5/310 $\mu$ s	60
	4000	1.2/50 $\mu$ s	100	8/20 $\mu$ s	0
TIA-968-A, lightning surge type A	1500	10/160 $\mu$ s	200	10/160 $\mu$ s	22.5
	800	10/560 $\mu$ s	100	10/560 $\mu$ s	15
TIA-968-A, lightning surge type B	1000	9/720 $\mu$ s	25	5/320 $\mu$ s	0

**Table 2. Thermal resistance**

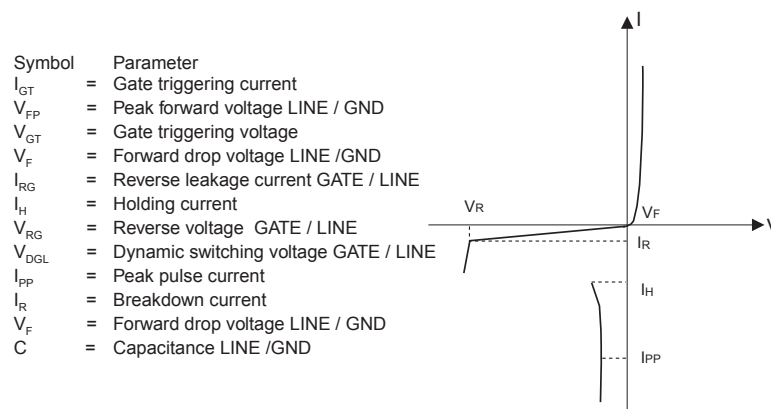
Symbol	Parameter	Value	Unit
$R_{th(j-a)}$	Junction to ambient	120	$^{\circ}$ C/W

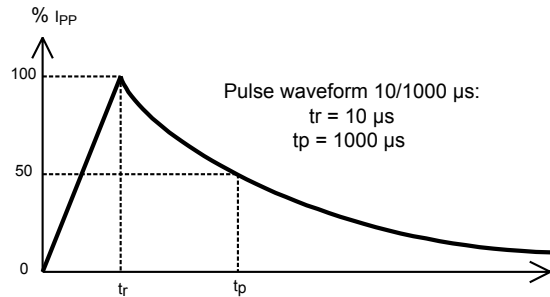
**Table 3. Absolute ratings ( $T_{amb} = 25\text{ }^{\circ}\text{C}$ )**

Symbol	Parameter	Value	Unit	
$I_{pp}$	Telcordia GR-1089-CORE Issue 6, May2011, section 4	10/1000 $\mu\text{s}$	30	A
	TIA-968-A, lightning surge type A	10/560 $\mu\text{s}$	35	
	ITU-T K20/21/44/45, (10/700 $\mu\text{s}$ open circuit voltage waveshape)	5/310 $\mu\text{s}$	40	
	TIA-968-A, lightning surge type A	10/160 $\mu\text{s}$	50	
	IEC 61000-4-5, (1.2/50 $\mu\text{s}$ open circuit waveshape) with 10 $\Omega$	4/30 $\mu\text{s}$	110	
	ITU-T K20/21/44/45, (1.2/50 $\mu\text{s}$ open circuit voltage waveshape)	8/20 $\mu\text{s}$	120	
	Telcordia GR-1089-CORE Issue 6, (2/10 $\mu\text{s}$ open circuit waveshape)	2/10 $\mu\text{s}$	150	
$I_{TSM}$	Non repetitive surge peak on-state current (50 Hz sinusoidal)	t = 20 ms	18	A
		t = 200 ms	10	
		t = 1 s	7	
$V_{Gn}$	Negative battery voltage range	-40 $^{\circ}\text{C} < T_{amb} < +85\text{ }^{\circ}\text{C}$	-175	V
$T_{stg}$	Storage junction temperature range		-55 to + 150	$^{\circ}\text{C}$
$T_j$	Maximum operating junction temperature range			
$T_L$	Maximum temperature for soldering during 10 s		260	$^{\circ}\text{C}$

1. The rated current values may be applied either to the Ring to GND or to the Tip to GND terminal pairs. Additionally, the four terminal pairs may have their rated current values applied simultaneously (in this case the GND terminal current will be four times the rated current value of an individual terminal pair). Both GND pins must be connected to GND.

**Figure 1. Electrical characteristics (definitions)**



**Figure 2. Pulse waveform**

**Table 4. Parameters ( $T_j = 25\text{ °C}$ , unless otherwise specified)**

Symbol	Parameter				Min.	Typ.	Max.	Unit
$I_{GT}$	$V_{LINE} = -48\text{ V}$				0.1		5	mA
$I_H$	$V_{Gn} = -48\text{ V}$				150			mA
$V_{GT}$	at $I_{GT}$						2.5	V
$I_{RG}$	$V_{RG} = -175\text{ V}$			$T_j = 25\text{ °C}$			5	$\mu\text{A}$
	$V_{RG} = -175\text{ V}$			$T_j = 85\text{ °C}$			50	
$V_{DGL}^{(1)}$	$V_{Gn} = -48\text{ V}$	10/700 $\mu\text{s}$	1.5 kV	$R_S = 10\ \Omega$	$I_{PP} = 30\text{ A}$		7	V
		1.2/50 $\mu\text{s}$	1.5 kV	$R_S = 10\ \Omega$	$I_{PP} = 30\text{ A}$		10	
		2/10 $\mu\text{s}$	2.5 kV	$R_S = 62\ \Omega$	$I_{PP} = 38\text{ A}$		25	
$V_F$	$I_F = 5\text{ A}$		$t = 500\ \mu\text{s}$				3	V
$V_{FP}$	10/700 $\mu\text{s}$		1.5 kV	$R_S = 10\ \Omega$			5	V
	1.2/50 $\mu\text{s}$		1.5 kV	$R_S = 10\ \Omega$			9	
	2/10 $\mu\text{s}$		2.5 kV	$R_S = 62\ \Omega$			30	
$I_R$	$V_{Gn} / LINE = -1\text{ V}, V_{LINE} = -175\text{ V}$			$T_j = 25\text{ °C}$			5	$\mu\text{A}$
	$V_{Gn} / LINE = -1\text{ V}, V_{LINE} = -175\text{ V}$			$T_j = 85\text{ °C}$			50	
C	$V_{LINE} = -50\text{ V}, V_{RMS} = 1\text{ V}, f = 1\text{ MHz}$					15		$\text{pF}$
	$V_{LINE} = -2\text{ V}, V_{RMS} = 1\text{ V}, f = 1\text{ MHz}$					35		

1. The oscillations with a time duration lower than 50 ns are not taken into account.

**Table 5. Recommended gate capacitance**

Symbol	Parameter	Min.	Typ.	Max.	Unit
$C_G$	Gate decoupling capacitance	100	220		nF

## 2 Technical information

Figure 3. LCP concept behavior

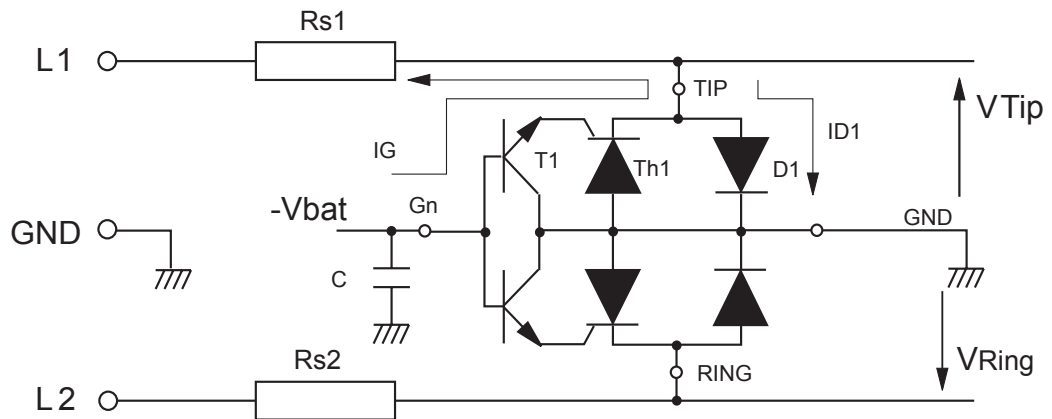


Figure 3 shows the classical protection circuit using the LCP crowbar concept. This topology has been developed to protect the new high voltage SLICs. It allows to program the negative firing threshold while the positive clamping value is fixed at GND.

When a negative surge occurs on one wire (L1 for example) a current  $I_G$  flows through the base of the transistor T1 and then injects a current in the gate of the thyristor Th1. Th1 fires and all the surge current flows through the ground. After the surge when the current flowing through Th1 becomes less negative than the holding current  $I_H$ , then Th1 switches off.

When a positive surge occurs on one wire (L1 for example) the diode D1 conducts and the surge current flows through the ground.

Figure 4. Example of PCB layout based on LCP1521S protection

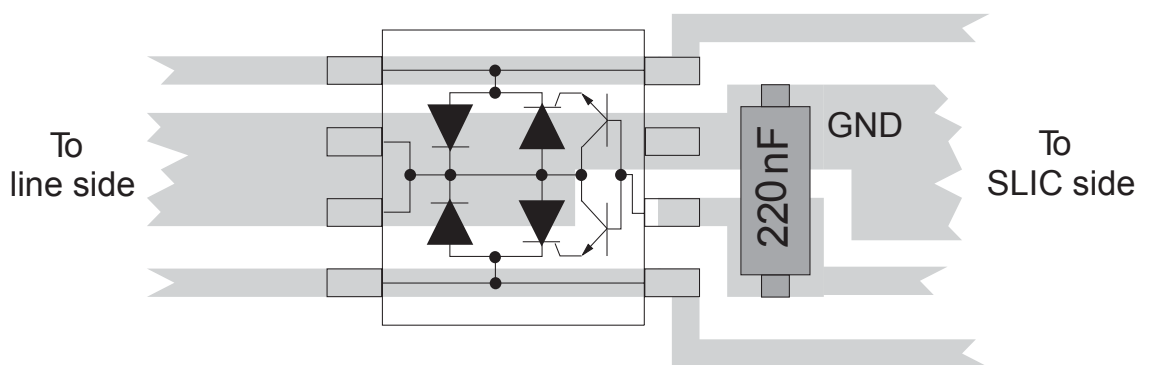


Figure 4 shows the classical PCB layout used to optimize line protection.

The capacitor C is used to speed up the crowbar structure firing during the fast surge edges.

This allows minimization of the dynamic breakover voltage at the SLIC Tip and Ring inputs during fast strikes. Note that this capacitor is generally present around the SLIC -  $V_{bat}$  pin.

So to be efficient it has to be as close as possible from the LCP Gate pin and from the reference ground track (or plan) (see Figure 4). The optimized value for C is 220 nF.

The series resistors Rs1 and Rs2 designed in Figure 3 represent the fuse resistors or the PTC which are mandatory to withstand the power contact or the power induction tests imposed by the various country standards. Taking into account this fact the actual lightning surge current flowing through the LCP is equal to:

- $I_{surge} = V_{surge} / (R_g + R_s)$  with:
  - $V_{surge}$  = peak surge voltage imposed by the standard
  - $R_g$  = series resistor of the surge generator
  - $R_s$  = series resistor of the line card (e.g. PTC)

E.g. For a line card with 30 Ω of series resistors which has to be qualified under GR1089 core 1000V 10/1000 μs surge, the actual current through the LCP is equal to:

- $I_{surge} = 1000 / (10 + 30) = 25$  A

The LCP is particularly optimized for the new telecom applications such as the fiber in the loop, the WLL, the remote central office. In this case, the operating voltages are smaller than in the classical system. This makes the high voltage SLICs particularly suitable.

The schematics of Figure 5 give the most frequent topology used for these applications.

Figure 5. Protection of high voltage SLIC

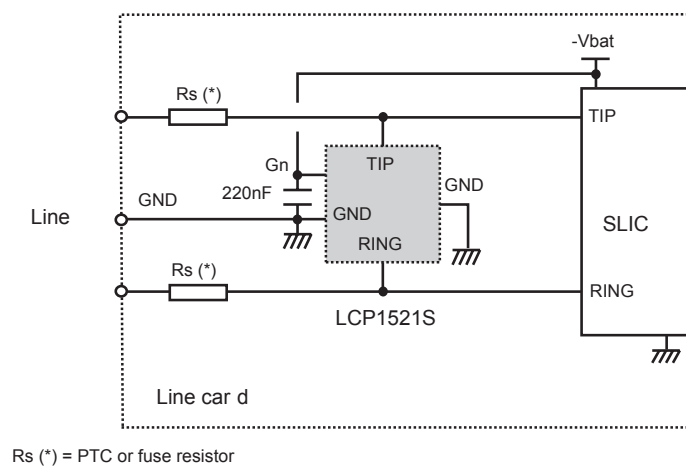


Figure 6. Surge peak current versus duration

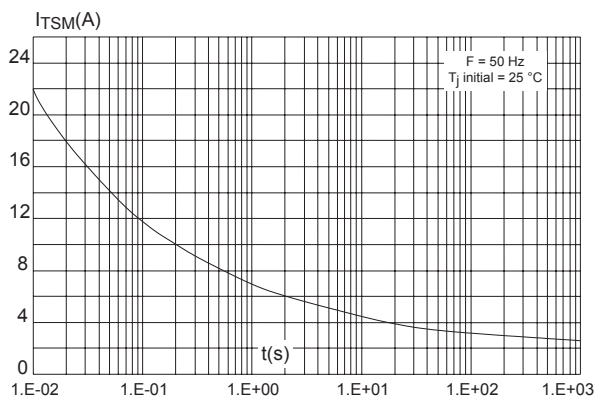
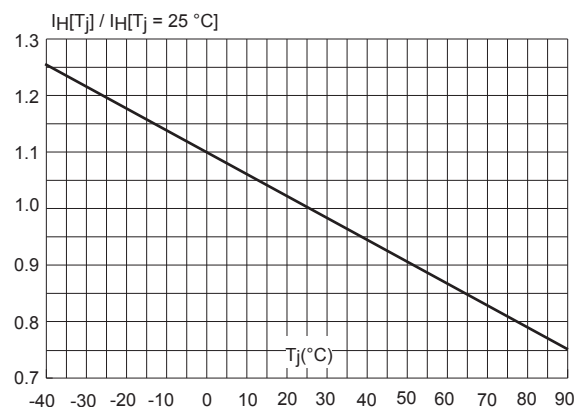


Figure 7. Relative variation of holding current versus junction temperature



### 3 Package information

In order to meet environmental requirements, ST offers these devices in different grades of **ECOPACK** packages, depending on their level of environmental compliance. ECOPACK specifications, grade definitions and product status are available at: [www.st.com](http://www.st.com). ECOPACK is an ST trademark.

#### 3.1 SO-8 package information

Figure 8. SO-8 package outline

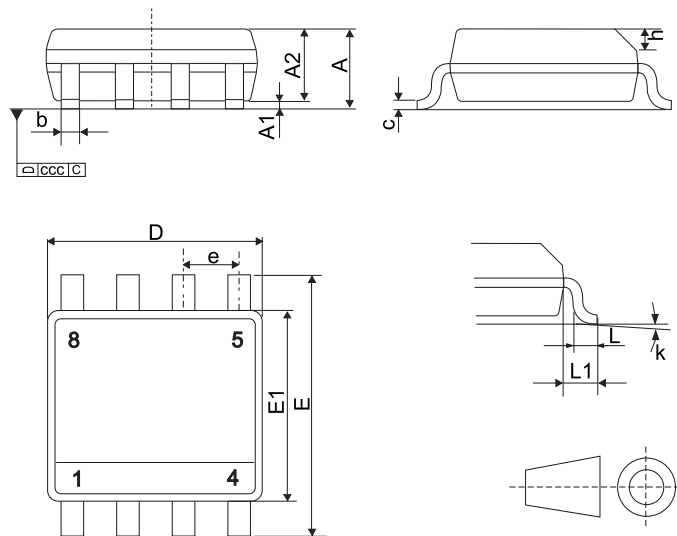
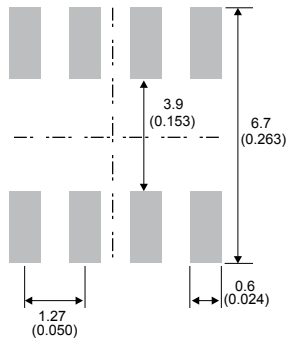


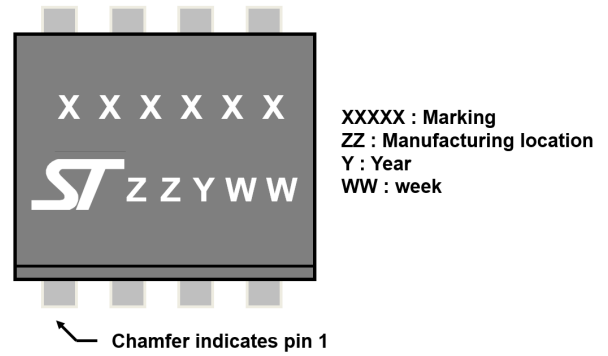
Table 6. SO-8 package mechanical data

Ref.	Dimensions					
	Millimeters			Inches		
	Min.	Typ.	Max.	Min.	Typ.	Max.
A			1.75			0.069
A1	0.1		0.25	0.004		0.010
A2	1.25			0.049		
b	0.31		0.51	0.012		0.020
c	0.10		0.25	0.004		0.010
D	4.80	4.90	5.00	0.189	0.193	0.197
E	5.80	6.00	6.20	0.228	0.236	0.244
E1	3.80	3.90	4.00	0.150	0.154	0.157
e		1.27			0.050	
h	0.25		0.50	0.010		0.020
L	0.40		1.27	0.016		0.05
L1		1.04			0.041	
k°	0		8	0		8
ccc			0.10			0.004

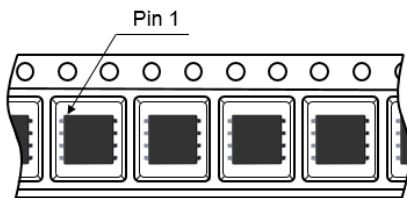
**Figure 9. Footprint recommendations, dimensions in mm (inches)**



**Figure 10. Marking layout (refer to ordering information table for marking)**

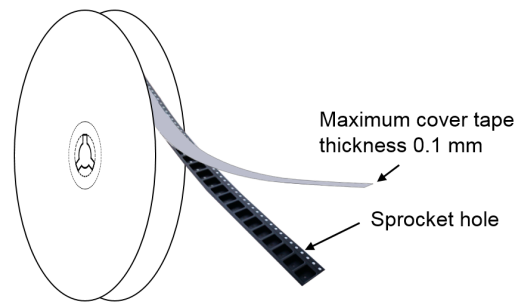


**Figure 11. Package orientation in reel**

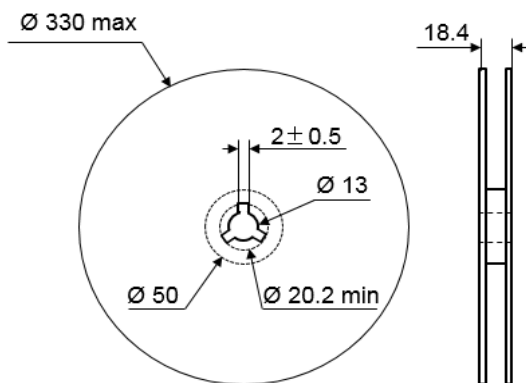


Taped according to EIA-481  
Note: Pocket dimensions are not on scale  
Pocket shape may vary depending on package

**Figure 12. Tape and reel orientation**



**Figure 13. Reel dimensions (mm)**



**Figure 14. Inner box dimensions (mm)**

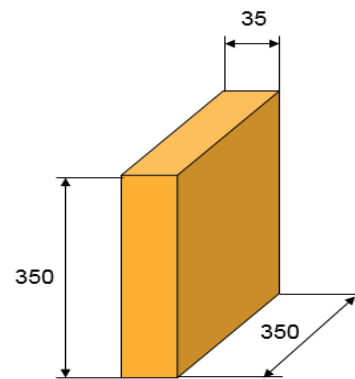
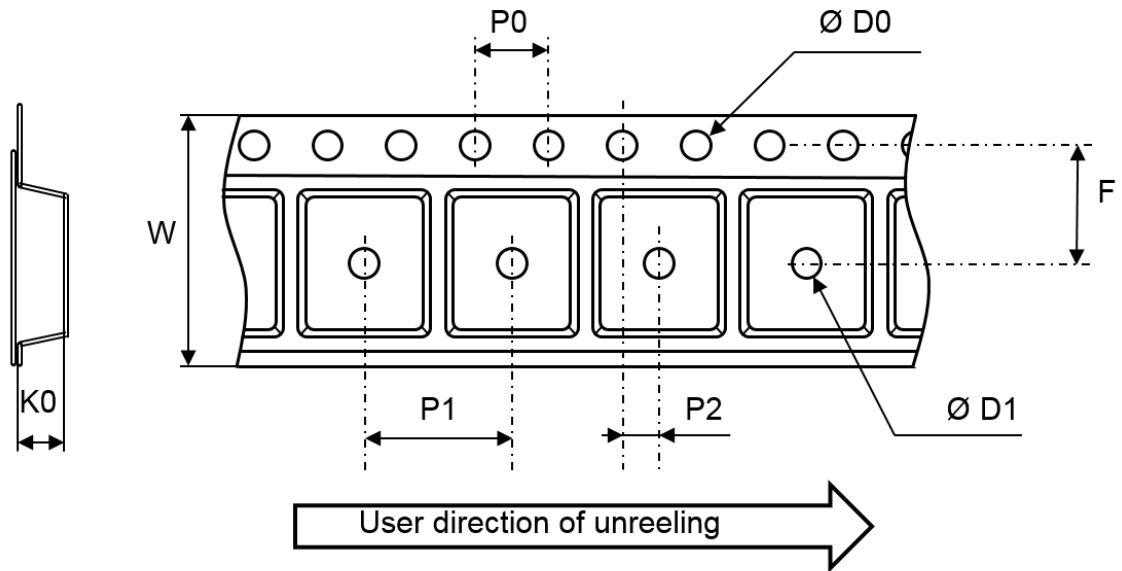




Figure 15. Tape and reel outline

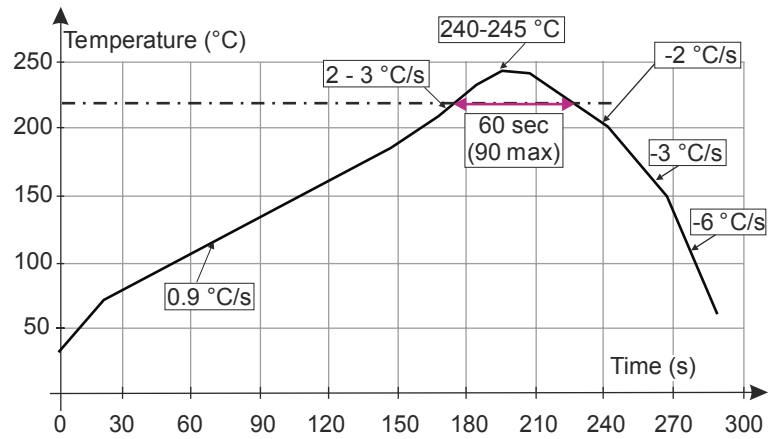


Note: Pocket dimensions are not on scale  
Pocket shape may vary depending on package

Table 7. Tape and reel mechanical data

Ref.	Dimensions		
	Millimeters		
	Min.	Typ.	Max.
P0	3.9	4	4.1
P1	7.9	8	8.1
P2	1.95	2	2.05
ØD0	1.45	1.5	1.6
ØD1	1.6		
F	5.45	5.5	5.55
K0	2.5	2.6	2.7
W	11.7	12	12.3

Figure 16. ST ECOPACK recommended soldering reflow profile for PCB mounting



**Note:** Minimize air convection currents in the reflow oven to avoid component movement. Maximum soldering profile corresponds to the latest IPC/JEDEC J-STD-020.

## 4 Ordering information

Table 8. Ordering information

Order code	Marking	Package	Weight	Base qty.	Delivery mode
LCP1521SRL	CP152S	SO-8	0.08 g	2500	Tape and reel

## Revision history

**Table 9. Document revision history**

Date	Revision	Changes
20-Nov-2009	1	First issue.
23-Feb-2012	2	Standardized nomenclature for Gn.
15-Nov-2013	3	Updated Figure 9.
10-Apr-2015	4	Updated Figure 1, Figure 10 and package view. Added Figure 11. Updated Table 3 and Table 7.
02-Jul-2015	5	Updated package information.
08-Jul-2015	6	Updated Figure 9.
12-Dec-2017	7	Updated Table 3: "Absolute ratings (Tj = 25 °C, unless otherwise specified)" and Section 3: "Package information".
25-Jul-2019	8	Updated <a href="#">Figure 10</a> .

**IMPORTANT NOTICE – PLEASE READ CAREFULLY**

STMicroelectronics NV and its subsidiaries (“ST”) reserve the right to make changes, corrections, enhancements, modifications, and improvements to ST products and/or to this document at any time without notice. Purchasers should obtain the latest relevant information on ST products before placing orders. ST products are sold pursuant to ST’s terms and conditions of sale in place at the time of order acknowledgement.

Purchasers are solely responsible for the choice, selection, and use of ST products and ST assumes no liability for application assistance or the design of Purchasers’ products.

No license, express or implied, to any intellectual property right is granted by ST herein.

Resale of ST products with provisions different from the information set forth herein shall void any warranty granted by ST for such product.

ST and the ST logo are trademarks of ST. For additional information about ST trademarks, please refer to [www.st.com/trademarks](http://www.st.com/trademarks). All other product or service names are the property of their respective owners.

Information in this document supersedes and replaces information previously supplied in any prior versions of this document.

© 2019 STMicroelectronics – All rights reserved

## X-ON Electronics

Largest Supplier of Electrical and Electronic Components

*Click to view similar products for [ESD Suppressors / TVS Diodes](#) category:*

*Click to view products by [STMicroelectronics](#) manufacturer:*

Other Similar products are found below :

[60KS200C](#) [D12V0H1U2WS-7](#) [D18V0L1B2LP-7B](#) [82356050220](#) [D5V0M5U6V-7](#) [NTE4902](#) [P4KE27CA](#) [P6KE11CA](#) [P6KE39CA-TP](#)  
[P6KE8.2A](#) [SA110CA](#) [SA60CA](#) [SA64CA](#) [SMBJ12CATR](#) [SMBJ8.0A](#) [SMLJ30CA-TP](#) [ESD101-B1-02ELS E6327](#) [ESD112-B1-02EL E6327](#)  
[ESD119B1W01005E6327XTSA1](#) [ESD5V0J4-TP](#) [ESD5V0L1B02VH6327XTSA1](#) [ESD7451N2T5G](#) [19180-510](#) [CPDT-5V0USP-HF](#)  
[3.0SMCJ33CA-F](#) [3.0SMCJ36A-F](#) [HSPC16701B02TP](#) [D3V3Q1B2DLP3-7](#) [D55V0M1B2WS-7](#) [DESD5V0U1BL-7B](#) [DRTR5V0U4SL-7](#)  
[SCM1293A-04SO](#) [ESD200-B1-CSP0201 E6327](#) [ESD203-B1-02EL E6327](#) [SM12-7](#) [SMF8.0A-TP](#) [SMLJ45CA-TP](#) [CEN955 W/DATA](#)  
[82350120560](#) [82356240030](#) [VESD12A1A-HD1-GS08](#) [CPDUR5V0R-HF](#) [CPDUR24V-HF](#) [CPDQC5V0U-HF](#) [CPDQC5V0USP-HF](#)  
[CPDQC5V0-HF](#) [D1213A-01LP4-7B](#) [D1213A-02WL-7](#) [ESDLIN1524BJ-HQ](#) [5KP100A](#)