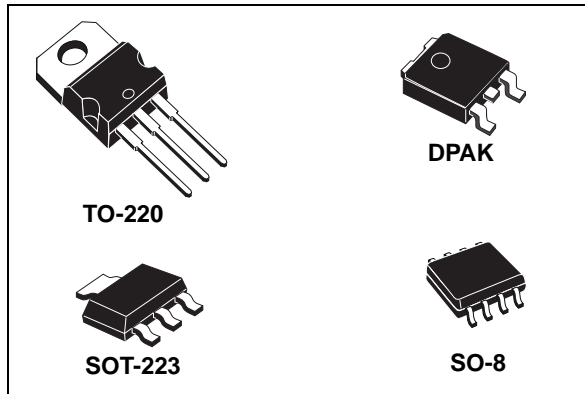


## Adjustable and fixed low drop positive voltage regulator

Datasheet - production data



flows mostly into the load. Only a very common 10  $\mu$ F minimum capacitor is needed for stability. On chip trimming allows the regulator to reach a very tight output voltage tolerance, within  $\pm 1\%$  at 25 °C. The adjustable LD1117 is pin to pin compatible with the other standard. Adjustable voltage regulators maintaining the better performances in terms of drop and tolerance.

### Features

- Low dropout voltage (1 V typ.)
- 2.85 V device performances are suitable for SCSI-2 active termination
- Output current up to 800 mA
- Fixed output voltage of: 1.2 V, 1.8 V, 2.5 V, 3.3 V, 5.0 V
- Adjustable version availability ( $V_{REF} = 1.25$  V)
- Internal current and thermal limit
- Available in  $\pm 1\%$  (at 25 °C) and 2 % in full temperature range
- Supply voltage rejection: 75 dB (typ.)

### Description

The LD1117 is a low drop voltage regulator able to provide up to 800 mA of output current, available even in adjustable version ( $V_{REF} = 1.25$  V). Concerning fixed versions, are offered the following output voltages: 1.2 V, 1.8 V, 2.5 V, 2.85 V, 3.3 V and 5.0 V. The device is supplied in: SOT-223, DPAK, SO-8 and TO-220. The SOT-223 and DPAK surface mount packages optimize the thermal characteristics even offering a relevant space saving effect. High efficiency is assured by NPN pass transistor. In fact in this case, unlike than PNP one, the quiescent current

---

# Contents

|    |   |    |
|----|---|----|
| 1  | Diagram .....                             | 5  |
| 2  | Pin configuration .....                   | 6  |
| 3  | Maximum ratings .....                     | 7  |
| 4  | Schematic application .....               | 8  |
| 5  | Electrical characteristics .....          | 9  |
| 6  | Typical application .....                 | 21 |
| 7  | LD1117 adjustable: application note ..... | 24 |
| 8  | Package mechanical data .....             | 25 |
| 9  | Packing mechanical data .....             | 36 |
| 10 | Order codes .....                         | 42 |
| 11 | Revision history .....                    | 43 |

## List of tables

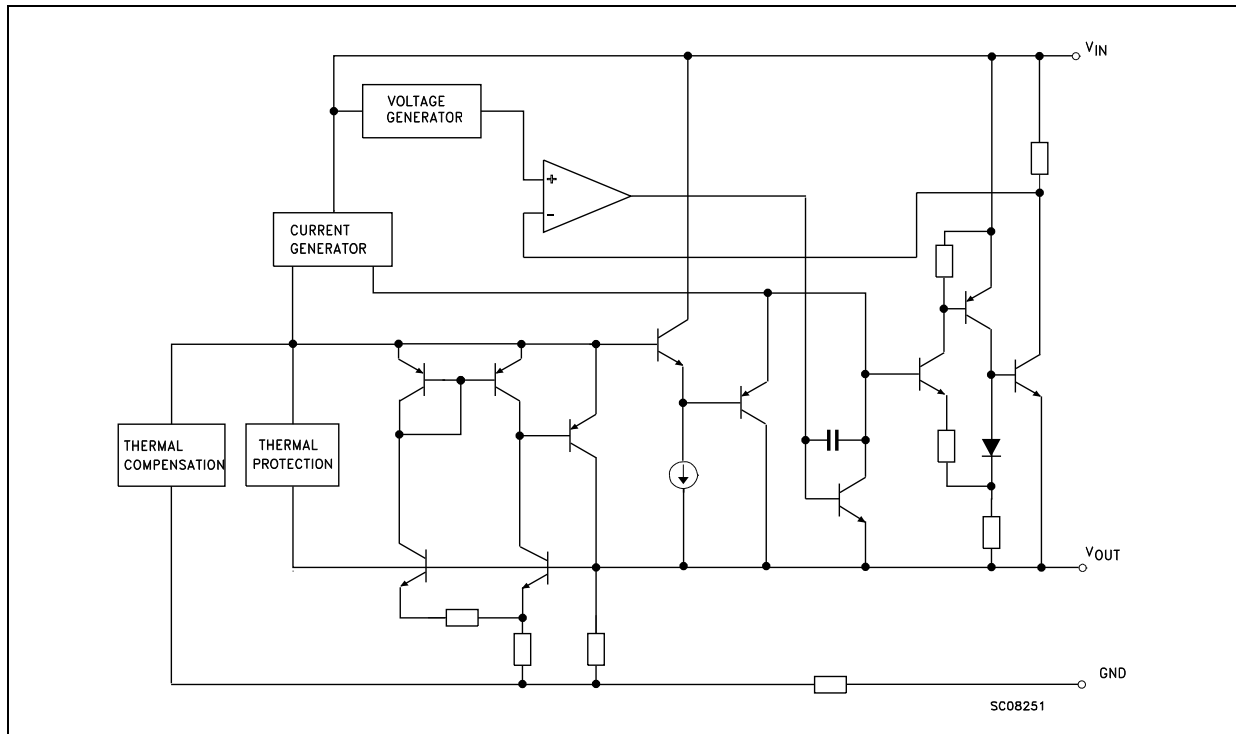
|           |  |    |
|-----------|--|----|
| Table 1.  | Absolute maximum ratings                           | 7  |
| Table 2.  | Thermal data                                       | 7  |
| Table 3.  | Electrical characteristics of LD1117#12            | 9  |
| Table 4.  | Electrical characteristics of LD1117#18            | 10 |
| Table 5.  | Electrical characteristics of LD1117#25            | 11 |
| Table 6.  | Electrical characteristics of LD1117#33            | 12 |
| Table 7.  | Electrical characteristics of LD1117#50            | 13 |
| Table 8.  | Electrical characteristics of LD1117 (adjustable)  | 14 |
| Table 9.  | Electrical characteristics of LD1117#12C           | 15 |
| Table 10. | Electrical characteristics of LD1117#18C           | 16 |
| Table 11. | Electrical characteristics of LD1117#25C           | 17 |
| Table 12. | Electrical characteristics of LD1117#33C           | 18 |
| Table 13. | Electrical characteristics of LD1117#50C           | 19 |
| Table 14. | Electrical characteristics of LD1117C (adjustable) | 20 |
| Table 15. | TO-220 mechanical data (type STD-ST Dual Gauge)    | 25 |
| Table 16. | TO-220 mechanical data (type STD-ST Single Gauge)  | 27 |
| Table 17. | SOT-223 mechanical data                            | 29 |
| Table 18. | SO-8 mechanical data                               | 30 |
| Table 19. | DPAK mechanical data                               | 31 |
| Table 20. | Footprint data                                     | 35 |
| Table 21. | SOT-223 tape and reel mechanical data              | 37 |
| Table 22. | SO-8 tape and reel mechanical data                 | 39 |
| Table 23. | DPAK tape and reel mechanical data                 | 40 |
| Table 24. | Order codes  | 42 |
| Table 25. | Document revision history                          | 43 |

## List of figures

|            |  |    |
|------------|--|----|
| Figure 1.  | Block diagram . . . . .  | 5  |
| Figure 2.  | Pin connections (top view) . . . . .   | 6  |
| Figure 3.  | Application circuit (for 1.2 V) . . . . .                                      | 8  |
| Figure 4.  | Application circuit (for other fixed output voltages) . . . . .                | 8  |
| Figure 5.  | Negative supply . . . . .  | 21 |
| Figure 6.  | Circuit for increasing output voltage . . . . .                                | 21 |
| Figure 7.  | Voltage regulator with reference . . . . .                                     | 21 |
| Figure 8.  | Battery backed-up regulated supply . . . . .                                   | 22 |
| Figure 9.  | Post-regulated dual supply . . . . .   | 23 |
| Figure 10. | Adjustable output voltage application . . . . .                                | 24 |
| Figure 11. | Adjustable output voltage application with improved ripple rejection . . . . . | 24 |
| Figure 12. | Drawing dimension TO-220 (type STD-ST Dual Gauge) . . . . .                    | 26 |
| Figure 13. | Drawing dimension TO-220 (type STD-ST Single Gauge) . . . . .                  | 28 |
| Figure 14. | Drawing dimension SOT-223 . . . . .  | 29 |
| Figure 15. | Drawing dimension SO-8 . . . . .   | 30 |
| Figure 16. | Drawing dimension DPAK (type STD-ST) . . . . .                                 | 32 |
| Figure 17. | Drawing dimension DPAK (type Fujitsu-subcon.) . . . . .                        | 33 |
| Figure 18. | Drawing dimension DPAK (type IDS-subcon.) . . . . .                            | 34 |
| Figure 19. | DPAK footprint recommended data . . . . .                                      | 35 |
| Figure 20. | Drawing dimension tube for TO-220 Dual Gauge (mm.) . . . . .                   | 36 |
| Figure 21. | Drawing dimension tube for TO-220 Single Gauge (mm.) . . . . .                 | 36 |
| Figure 22. | Tape for SOT-223 (dimensions are in mm) . . . . .                              | 37 |
| Figure 23. | Reel for STO-223 (dimensions are in mm) . . . . .                              | 38 |
| Figure 24. | SO-8 tape and reel dimensions . . . . .  | 39 |
| Figure 25. | DPAK footprint . . . . .   | 40 |
| Figure 26. | Tape for DPAK . . . . .  | 41 |
| Figure 27. | Reel for DPAK . . . . .  | 41 |

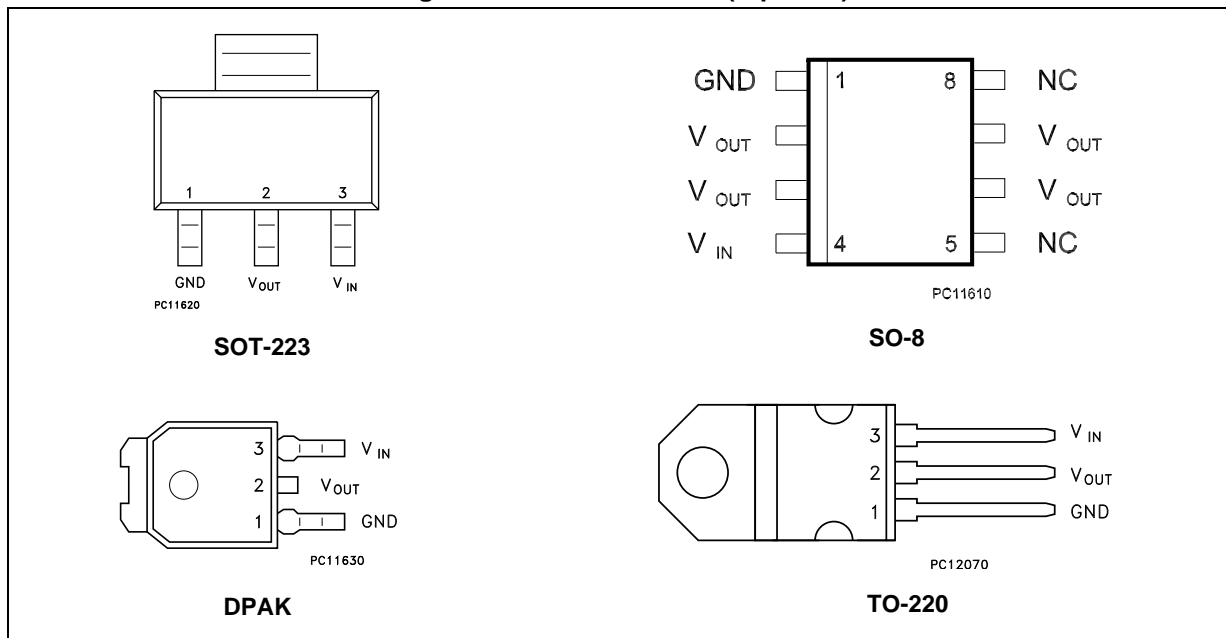
# 1 Diagram

Figure 1. Block diagram



## 2 Pin configuration

Figure 2. Pin connections (top view)



Note: The TAB is connected to the V<sub>OUT</sub>.

### 3 Maximum ratings

**Table 1. Absolute maximum ratings**

| Symbol         | Parameter                            | Value                | Unit        |    |
|----------------|--------------------------------------|----------------------|-------------|----|
| $V_{IN}^{(1)}$ | DC input voltage                     | 15                   | V           |    |
| $P_{TOT}$      | Power dissipation                    | 12                   | W           |    |
| $T_{STG}$      | Storage temperature range            | -40 to +150          | °C          |    |
| $T_{OP}$       | Operating junction temperature range | for C version        | -40 to +125 | °C |
|                |                                      | for standard version | 0 to +125   | °C |

1. Absolute maximum rating of  $V_{IN} = 18$  V, when  $I_{OUT}$  is lower than 20 mA.

**Table 2. Thermal data**

| Symbol     | Parameter                           | SOT-223 | SO-8 | DPAK | TO-220 | Unit |
|------------|-------------------------------------|---------|------|------|--------|------|
| $R_{thJC}$ | Thermal resistance junction-case    | 15      | 20   | 8    | 5      | °C/W |
| $R_{thJA}$ | Thermal resistance junction-ambient | 110     | 55   | 100  | 50     | °C/W |

# 4 Schematic application

Figure 3. Application circuit (for 1.2 V)

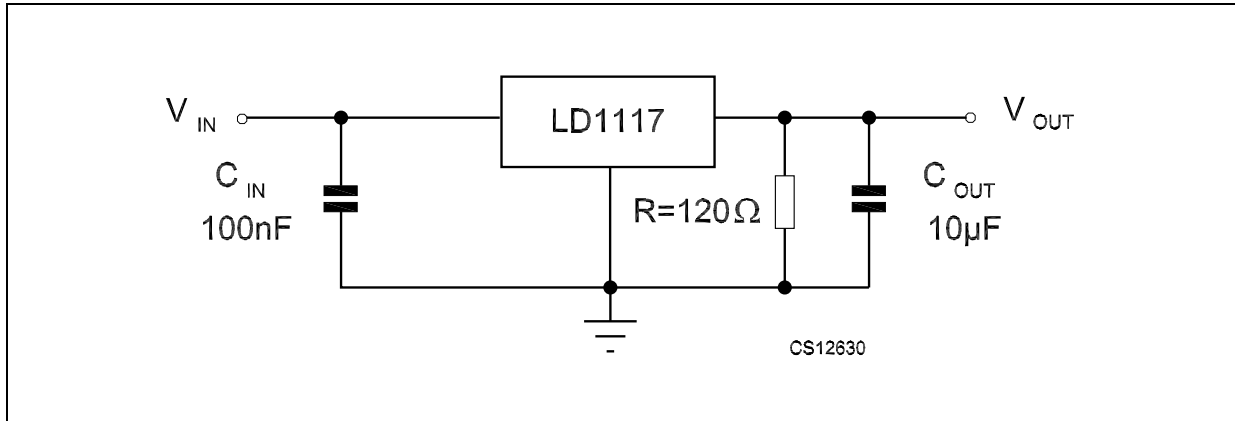
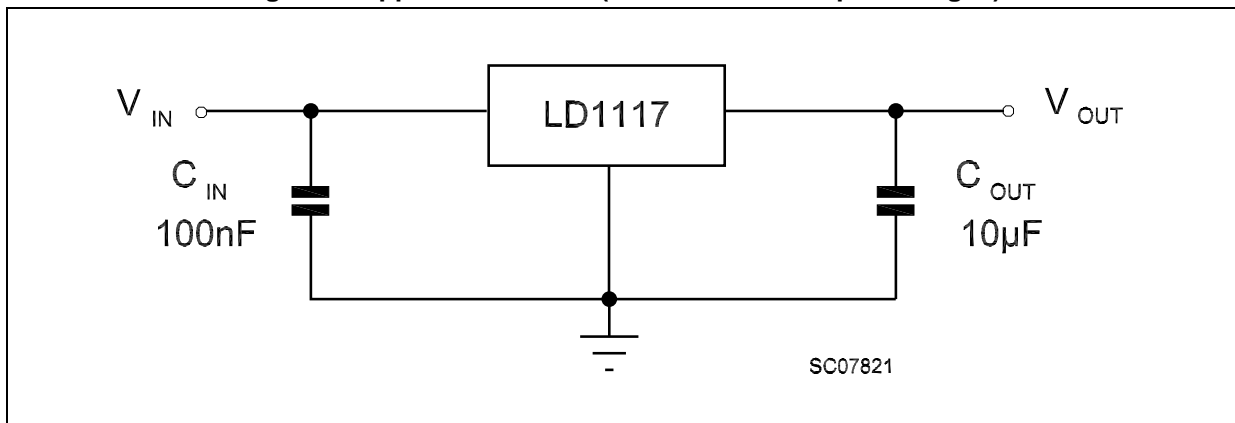


Figure 4. Application circuit (for other fixed output voltages)





## 5 Electrical characteristics

Refer to the test circuits,  $T_J = 0$  to  $125$  °C,  $C_O = 10$   $\mu$ F,  $R = 120$   $\Omega$  between GND and OUT pins, unless otherwise specified.

**Table 3. Electrical characteristics of LD1117#12**

| Symbol           | Parameter                     | Test condition   | Min.  | Typ.  | Max.  | Unit    |
|------------------|-------------------------------|--|-------|-------|-------|---------|
| $V_O$            | Output voltage                | $V_{in} = 3.2$ V, $I_O = 10$ mA, $T_J = 25$ °C   | 1.188 | 1.20  | 1.212 | V       |
| $V_O$            | Output voltage                | $I_O = 10$ to $800$ mA<br>$V_{in} - V_O = 1.4$ to $10$ V   | 1.140 | 1.20  | 1.260 | V       |
| $\Delta V_O$     | Line regulation               | $V_{in} - V_O = 1.5$ to $13.75$ V, $I_O = 10$ mA   |       | 0.035 | 0.2   | %       |
| $\Delta V_O$     | Load regulation               | $V_{in} - V_O = 3$ V, $I_O = 10$ to $800$ mA   |       | 0.1   | 0.4   | %       |
| $\Delta V_O$     | Temperature stability         |  |       | 0.5   |       | %       |
| $\Delta V_O$     | Long term stability           | 1000 hrs, $T_J = 125$ °C   |       | 0.3   |       | %       |
| $V_{in}$         | Operating input voltage       |  |       |       | 15    | V       |
| $I_{adj}$        | Adjustment pin current        | $V_{in} \leq 15$ V   |       | 60    | 120   | $\mu$ A |
| $\Delta I_{adj}$ | Adjustment pin current change | $V_{in} - V_O = 1.4$ to $10$ V<br>$I_O = 10$ to $800$ mA   |       | 1     | 5     | $\mu$ A |
| $I_{O(min)}$     | Minimum load current          | $V_{in} = 15$ V  |       | 2     | 5     | mA      |
| $I_O$            | Output current                | $V_{in} - V_O = 5$ V, $T_J = 25$ °C  | 800   | 950   | 1300  | mA      |
| eN               | Output noise (% $V_O$ )       | $B = 10$ Hz to $10$ kHz, $T_J = 25$ °C   |       | 0.003 |       | %       |
| SVR              | Supply voltage rejection      | $I_O = 40$ mA, $f = 120$ Hz, $T_J = 25$ °C<br>$V_{in} - V_O = 3$ V, $V_{ripple} = 1$ V <sub>PP</sub> | 60    | 75    |       | dB      |
| $V_d$            | Dropout voltage               | $I_O = 100$ mA   |       | 1     | 1.1   | V       |
|                  |                               | $I_O = 500$ mA   |       | 1.05  | 1.15  |         |
|                  |                               | $I_O = 800$ mA   |       | 1.10  | 1.2   |         |
|                  | Thermal regulation            | $T_a = 25$ °C, 30 ms Pulse   |       | 0.01  | 0.1   | %/W     |

Refer to the test circuits,  $T_J = 0$  to  $125$  °C,  $C_O = 10$   $\mu$ F, unless otherwise specified.

**Table 4. Electrical characteristics of LD1117#18**

| Symbol       | Parameter                | Test condition   | Min. | Typ. | Max. | Unit    |
|--------------|--------------------------|--|------|------|------|---------|
| $V_O$        | Output voltage           | $V_{in} = 3.8$ V, $I_O = 10$ mA, $T_J = 25$ °C   | 1.78 | 1.8  | 1.82 | V       |
| $V_O$        | Output voltage           | $I_O = 0$ to 800 mA, $V_{in} = 3.3$ to 8 V   | 1.76 |      | 1.84 | V       |
| $\Delta V_O$ | Line regulation          | $V_{in} = 3.3$ to 8 V, $I_O = 0$ mA  |      | 1    | 6    | mV      |
| $\Delta V_O$ | Load regulation          | $V_{in} = 3.3$ V, $I_O = 0$ to 800 mA  |      | 1    | 10   | mV      |
| $\Delta V_O$ | Temperature stability    |  |      | 0.5  |      | %       |
| $\Delta V_O$ | Long term stability      | 1000 hrs, $T_J = 125$ °C   |      | 0.3  |      | %       |
| $V_{in}$     | Operating input voltage  | $I_O = 100$ mA   |      |      | 15   | V       |
| $I_d$        | Quiescent current        | $V_{in} \leq 8$ V  |      | 5    | 10   | mA      |
| $I_O$        | Output current           | $V_{in} = 6.8$ V, $T_J = 25$ °C  | 800  | 950  | 1300 | mA      |
| eN           | Output noise voltage     | B = 10 Hz to 10 kHz, $T_J = 25$ °C   |      | 100  |      | $\mu$ V |
| SVR          | Supply voltage rejection | $I_O = 40$ mA, $f = 120$ Hz, $T_J = 25$ °C<br>$V_{in} = 5.5$ V, $V_{ripple} = 1$ V <sub>PP</sub> | 60   | 75   |      | dB      |
| $V_d$        | Dropout voltage          | $I_O = 100$ mA   |      | 1    | 1.1  | V       |
|              |                          | $I_O = 500$ mA   |      | 1.05 | 1.15 |         |
|              |                          | $I_O = 800$ mA   |      | 1.10 | 1.2  |         |
|              | Thermal regulation       | $T_a = 25$ °C, 30 ms Pulse   |      | 0.01 | 0.1  | %/W     |

Refer to the test circuits,  $T_J = 0$  to  $125$  °C,  $C_O = 10$   $\mu$ F, unless otherwise specified.

**Table 5. Electrical characteristics of LD1117#25**

| Symbol       | Parameter                | Test condition   | Min.  | Typ. | Max.  | Unit    |
|--------------|--------------------------|--|-------|------|-------|---------|
| $V_O$        | Output voltage           | $V_{in} = 4.5$ V, $I_O = 10$ mA, $T_J = 25$ °C   | 2.475 | 2.5  | 2.525 | V       |
| $V_O$        | Output voltage           | $I_O = 0$ to 800 mA, $V_{in} = 3.9$ to 10 V  | 2.45  |      | 2.55  | V       |
| $\Delta V_O$ | Line regulation          | $V_{in} = 3.9$ to 10 V, $I_O = 0$ mA   |       | 1    | 6     | mV      |
| $\Delta V_O$ | Load regulation          | $V_{in} = 3.9$ V, $I_O = 0$ to 800 mA  |       | 1    | 10    | mV      |
| $\Delta V_O$ | Temperature stability    |  |       | 0.5  |       | %       |
| $\Delta V_O$ | Long term stability      | 1000 hrs, $T_J = 125$ °C   |       | 0.3  |       | %       |
| $V_{in}$     | Operating input voltage  | $I_O = 100$ mA   |       |      | 15    | V       |
| $I_d$        | Quiescent current        | $V_{in} \leq 10$ V   |       | 5    | 10    | mA      |
| $I_O$        | Output current           | $V_{in} = 7.5$ V $T_J = 25$ °C   | 800   | 950  | 1300  | mA      |
| eN           | Output noise voltage     | B = 10 Hz to 10 kHz, $T_J = 25$ °C   |       | 100  |       | $\mu$ V |
| SVR          | Supply voltage rejection | $I_O = 40$ mA, $f = 120$ Hz, $T_J = 25$ °C<br>$V_{in} = 5.5$ V, $V_{ripple} = 1$ V <sub>PP</sub> | 60    | 75   |       | dB      |
| $V_d$        | Dropout voltage          | $I_O = 100$ mA   |       | 1    | 1.1   | V       |
|              |                          | $I_O = 500$ mA   |       | 1.05 | 1.15  |         |
|              |                          | $I_O = 800$ mA   |       | 1.10 | 1.2   |         |
|              | Thermal regulation       | $T_a = 25$ °C, 30 ms Pulse   |       | 0.01 | 0.1   | %/W     |

Refer to the test circuits,  $T_J = 0$  to  $125\text{ }^\circ\text{C}$ ,  $C_O = 10\text{ }\mu\text{F}$ , unless otherwise specified.

**Table 6. Electrical characteristics of LD1117#33**

| Symbol       | Parameter                | Test condition  | Min.  | Typ. | Max.  | Unit          |
|--------------|--------------------------|---|-------|------|-------|---------------|
| $V_O$        | Output voltage           | $V_{in} = 5.3\text{ V}$ , $I_O = 10\text{ mA}$ , $T_J = 25\text{ }^\circ\text{C}$   | 3.267 | 3.3  | 3.333 | V             |
| $V_O$        | Output voltage           | $I_O = 0$ to $800\text{ mA}$ , $V_{in} = 4.75$ to $10\text{ V}$   | 3.235 |      | 3.365 | V             |
| $\Delta V_O$ | Line regulation          | $V_{in} = 4.75$ to $15\text{ V}$ , $I_O = 0\text{ mA}$  |       | 1    | 6     | mV            |
| $\Delta V_O$ | Load regulation          | $V_{in} = 4.75\text{ V}$ , $I_O = 0$ to $800\text{ mA}$   |       | 1    | 10    | mV            |
| $\Delta V_O$ | Temperature stability    |   |       | 0.5  |       | %             |
| $\Delta V_O$ | Long term stability      | 1000 hrs, $T_J = 125\text{ }^\circ\text{C}$   |       | 0.3  |       | %             |
| $V_{in}$     | Operating input voltage  | $I_O = 100\text{ mA}$   |       |      | 15    | V             |
| $I_d$        | Quiescent current        | $V_{in} \leq 15\text{ V}$   |       | 5    | 10    | mA            |
| $I_O$        | Output current           | $V_{in} = 8.3\text{ V}$ , $T_J = 25\text{ }^\circ\text{C}$  | 800   | 950  | 1300  | mA            |
| eN           | Output noise voltage     | $B = 10\text{ Hz}$ to $10\text{ kHz}$ , $T_J = 25\text{ }^\circ\text{C}$  |       | 100  |       | $\mu\text{V}$ |
| SVR          | Supply voltage rejection | $I_O = 40\text{ mA}$ , $f = 120\text{ Hz}$ , $T_J = 25\text{ }^\circ\text{C}$<br>$V_{in} = 6.3\text{ V}$ , $V_{ripple} = 1\text{ V}_{PP}$ | 60    | 75   |       | dB            |
| $V_d$        | Dropout voltage          | $I_O = 100\text{ mA}$   |       | 1    | 1.1   | V             |
|              |                          | $I_O = 500\text{ mA}$   |       | 1.05 | 1.15  |               |
|              |                          | $I_O = 800\text{ mA}$   |       | 1.10 | 1.2   |               |
|              | Thermal regulation       | $T_a = 25\text{ }^\circ\text{C}$ , 30 ms Pulse  |       | 0.01 | 0.1   | %/W           |

Refer to the test circuits,  $T_J = 0$  to  $125$  °C,  $C_O = 10$   $\mu$ F, unless otherwise specified.

**Table 7. Electrical characteristics of LD1117#50**

| Symbol       | Parameter                | Test condition   | Min. | Typ. | Max. | Unit    |
|--------------|--------------------------|--|------|------|------|---------|
| $V_O$        | Output voltage           | $V_{in} = 7$ V, $I_O = 10$ mA, $T_J = 25$ °C   | 4.95 | 5    | 5.05 | V       |
| $V_O$        | Output voltage           | $I_O = 0$ to 800 mA, $V_{in} = 6.5$ to 15 V  | 4.9  |      | 5.1  | V       |
| $\Delta V_O$ | Line regulation          | $V_{in} = 6.5$ to 15 V, $I_O = 0$ mA   |      | 1    | 10   | mV      |
| $\Delta V_O$ | Load regulation          | $V_{in} = 6.5$ V, $I_O = 0$ to 800 mA  |      | 1    | 15   | mV      |
| $\Delta V_O$ | Temperature stability    |  |      | 0.5  |      | %       |
| $\Delta V_O$ | Long term stability      | 1000 hrs, $T_J = 125$ °C   |      | 0.3  |      | %       |
| $V_{in}$     | Operating input voltage  | $I_O = 100$ mA   |      |      | 15   | V       |
| $I_d$        | Quiescent current        | $V_{in} \leq 15$ V   |      | 5    | 10   | mA      |
| $I_O$        | Output current           | $V_{in} = 10$ V, $T_J = 25$ °C   | 800  | 950  | 1300 | mA      |
| eN           | Output noise voltage     | B = 10 Hz to 10 kHz, $T_J = 25$ °C   |      | 100  |      | $\mu$ V |
| SVR          | Supply voltage rejection | $I_O = 40$ mA, $f = 120$ Hz, $T_J = 25$ °C<br>$V_{in} = 8$ V, $V_{ripple} = 1$ V <sub>PP</sub> | 60   | 75   |      | dB      |
| $V_d$        | Dropout voltage          | $I_O = 100$ mA   |      | 1    | 1.1  | V       |
|              |                          | $I_O = 500$ mA   |      | 1.05 | 1.15 |         |
|              |                          | $I_O = 800$ mA   |      | 1.10 | 1.2  |         |
|              | Thermal regulation       | $T_a = 25$ °C, 30 ms Pulse   |      | 0.01 | 0.1  | %/W     |

Refer to the test circuits,  $T_J = 0$  to  $125\text{ }^\circ\text{C}$ ,  $C_O = 10\text{ }\mu\text{F}$ , unless otherwise specified.

**Table 8. Electrical characteristics of LD1117 (adjustable)**

| Symbol           | Parameter                     | Test condition  | Min.  | Typ.  | Max.  | Unit          |
|------------------|-------------------------------|---|-------|-------|-------|---------------|
| $V_{ref}$        | Reference voltage             | $V_{in} - V_O = 2\text{ V}$ , $I_O = 10\text{ mA}$ , $T_J = 25\text{ }^\circ\text{C}$   | 1.238 | 1.25  | 1.262 | V             |
| $V_{ref}$        | Reference voltage             | $I_O = 10$ to $800\text{ mA}$ , $V_{in} - V_O = 1.4$ to $10\text{ V}$   | 1.225 |       | 1.275 | V             |
| $\Delta V_O$     | Line regulation               | $V_{in} - V_O = 1.5$ to $13.75\text{ V}$ , $I_O = 10\text{ mA}$   |       | 0.035 | 0.2   | %             |
| $\Delta V_O$     | Load regulation               | $V_{in} - V_O = 3\text{ V}$ , $I_O = 10$ to $800\text{ mA}$   |       | 0.1   | 0.4   | %             |
| $\Delta V_O$     | Temperature stability         |   |       | 0.5   |       | %             |
| $\Delta V_O$     | Long term stability           | 1000 hrs, $T_J = 125\text{ }^\circ\text{C}$   |       | 0.3   |       | %             |
| $V_{in}$         | Operating input voltage       |   |       |       | 15    | V             |
| $I_{adj}$        | Adjustment pin current        | $V_{in} \leq 15\text{ V}$   |       | 60    | 120   | $\mu\text{A}$ |
| $\Delta I_{adj}$ | Adjustment pin current change | $V_{in} - V_O = 1.4$ to $10\text{ V}$ , $I_O = 10$ to $800\text{ mA}$   |       | 1     | 5     | $\mu\text{A}$ |
| $I_{O(min)}$     | Minimum load current          | $V_{in} = 15\text{ V}$  |       | 2     | 5     | mA            |
| $I_O$            | Output current                | $V_{in} - V_O = 5\text{ V}$ , $T_J = 25\text{ }^\circ\text{C}$  | 800   | 950   | 1300  | mA            |
| eN               | Output noise (% $V_O$ )       | $B = 10\text{ Hz}$ to $10\text{ kHz}$ , $T_J = 25\text{ }^\circ\text{C}$  |       | 0.003 |       | %             |
| SVR              | Supply voltage rejection      | $I_O = 40\text{ mA}$ , $f = 120\text{ Hz}$ , $T_J = 25\text{ }^\circ\text{C}$<br>$V_{in} - V_O = 3\text{ V}$ , $V_{ripple} = 1\text{ V}_{PP}$ | 60    | 75    |       | dB            |
| $V_d$            | Dropout voltage               | $I_O = 100\text{ mA}$   |       | 1     | 1.1   | V             |
|                  |                               | $I_O = 500\text{ mA}$   |       | 1.05  | 1.15  |               |
|                  |                               | $I_O = 800\text{ mA}$   |       | 1.10  | 1.2   |               |
|                  | Thermal regulation            | $T_a = 25\text{ }^\circ\text{C}$ , 30 ms Pulse  |       | 0.01  | 0.1   | %/W           |

Refer to the test circuits,  $T_J = -40$  to  $125$  °C,  $C_O = 10$   $\mu$ F,  $R = 120$   $\Omega$  between GND and OUT pins, unless otherwise specified.

**Table 9. Electrical characteristics of LD1117#12C**

| Symbol           | Parameter                     | Test condition   | Min.  | Typ.  | Max.  | Unit    |
|------------------|-------------------------------|--|-------|-------|-------|---------|
| $V_O$            | Output voltage                | $V_{in} - V_O = 2$ V, $I_O = 10$ mA, $T_J = 25$ °C   | 1.176 | 1.20  | 1.224 | V       |
| $V_O$            | Output voltage                | $I_O = 10$ to 800 mA, $V_{in} - V_O = 1.4$ to 10 V   | 1.120 | 1.20  | 1.280 | V       |
| $\Delta V_O$     | Line regulation               | $V_{in} - V_O = 1.5$ to 13.75 V, $I_O = 10$ mA   |       |       | 1     | %       |
| $\Delta V_O$     | Load regulation               | $V_{in} - V_O = 3$ V, $I_O = 10$ to 800 mA   |       |       | 1     | %       |
| $\Delta V_O$     | Temperature stability         |  |       | 0.5   |       | %       |
| $\Delta V_O$     | Long term stability           | 1000 hrs, $T_J = 125$ °C   |       | 0.3   |       | %       |
| $V_{in}$         | Operating input voltage       |  |       |       | 15    | V       |
| $I_{adj}$        | Adjustment pin current        | $V_{in} \leq 15$ V   |       | 60    | 120   | $\mu$ A |
| $\Delta I_{adj}$ | Adjustment pin current change | $V_{in} - V_O = 1.4$ to 10 V<br>$I_O = 10$ to 800 mA   |       | 1     | 5     | $\mu$ A |
| $I_{O(min)}$     | Minimum load current          | $V_{in} = 15$ V  |       | 2     | 5     | mA      |
| $I_O$            | Output current                | $V_{in} - V_O = 5$ V, $T_J = 25$ °C  | 800   | 950   | 1300  | mA      |
| eN               | Output noise (% $V_O$ )       | $B = 10$ Hz to 10 kHz, $T_J = 25$ °C   |       | 0.003 |       | %       |
| SVR              | Supply voltage rejection      | $I_O = 40$ mA, $f = 120$ Hz, $T_J = 25$ °C<br>$V_{in} - V_O = 3$ V, $V_{ripple} = 1$ V <sub>PP</sub> | 60    | 75    |       | dB      |
| $V_d$            | Dropout voltage               | $I_O = 100$ mA, $T_J = 0$ to 125 °C  |       | 1     | 1.1   | V       |
|                  |                               | $I_O = 500$ mA, $T_J = 0$ to 125 °C  |       | 1.05  | 1.2   |         |
|                  |                               | $I_O = 800$ mA, $T_J = 0$ to 125 °C  |       | 1.10  | 1.3   |         |
|                  | Thermal regulation            | $T_a = 25$ °C, 30 ms Pulse   |       | 0.01  | 0.1   | %/W     |

Refer to the test circuits,  $T_J = -40$  to  $125\text{ }^\circ\text{C}$ ,  $C_O = 10\text{ }\mu\text{F}$ , unless otherwise specified.

**Table 10. Electrical characteristics of LD1117#18C**

| Symbol       | Parameter                | Test condition  | Min. | Typ. | Max. | Unit          |
|--------------|--------------------------|---|------|------|------|---------------|
| $V_O$        | Output voltage           | $V_{in} = 3.8\text{ V}$ , $I_O = 10\text{ mA}$ , $T_J = 25\text{ }^\circ\text{C}$   | 1.76 | 1.8  | 1.84 | V             |
| $V_O$        | Output voltage           | $I_O = 0$ to $800\text{ mA}$ , $V_{in} = 3.9$ to $10\text{ V}$  | 1.73 |      | 1.87 | V             |
| $\Delta V_O$ | Line regulation          | $V_{in} = 3.3$ to $8\text{ V}$ , $I_O = 0\text{ mA}$  |      | 1    | 30   | mV            |
| $\Delta V_O$ | Load regulation          | $V_{in} = 3.3\text{ V}$ , $I_O = 0$ to $800\text{ mA}$  |      | 1    | 30   | mV            |
| $\Delta V_O$ | Temperature stability    |   |      | 0.5  |      | %             |
| $\Delta V_O$ | Long term stability      | 1000 hrs, $T_J = 125\text{ }^\circ\text{C}$   |      | 0.3  |      | %             |
| $V_{in}$     | Operating input voltage  | $I_O = 100\text{ mA}$   |      |      | 15   | V             |
| $I_d$        | Quiescent current        | $V_{in} \leq 8\text{ V}$  |      | 5    | 10   | mA            |
| $I_O$        | Output current           | $V_{in} = 6.8\text{ V}$ , $T_J = 25\text{ }^\circ\text{C}$  | 800  | 950  | 1300 | mA            |
| eN           | Output noise voltage     | $B = 10\text{ Hz}$ to $10\text{ kHz}$ , $T_J = 25\text{ }^\circ\text{C}$  |      | 100  |      | $\mu\text{V}$ |
| SVR          | Supply voltage rejection | $I_O = 40\text{ mA}$ , $f = 120\text{ Hz}$ , $T_J = 25\text{ }^\circ\text{C}$<br>$V_{in} = 5.5\text{ V}$ , $V_{ripple} = 1\text{ V}_{PP}$ | 60   | 75   |      | dB            |
| $V_d$        | Dropout voltage          | $I_O = 100\text{ mA}$ , $T_J = 0$ to $125\text{ }^\circ\text{C}$  |      | 1    | 1.1  | V             |
|              |                          | $I_O = 500\text{ mA}$ , $T_J = 0$ to $125\text{ }^\circ\text{C}$  |      | 1.05 | 1.15 |               |
|              |                          | $I_O = 800\text{ mA}$ , $T_J = 0$ to $125\text{ }^\circ\text{C}$  |      | 1.10 | 1.2  |               |
| $V_d$        | Dropout voltage          | $I_O = 100\text{ mA}$   |      |      | 1.1  | V             |
|              |                          | $I_O = 500\text{ mA}$   |      |      | 1.2  |               |
|              |                          | $I_O = 800\text{ mA}$   |      |      | 1.3  |               |
|              | Thermal regulation       | $T_a = 25\text{ }^\circ\text{C}$ , 30 ms Pulse  |      | 0.01 | 0.1  | %/W           |



Refer to the test circuits,  $T_J = -40$  to  $125$  °C,  $C_O = 10$   $\mu$ F, unless otherwise specified.

**Table 11. Electrical characteristics of LD1117#25C**

| Symbol       | Parameter                | Test condition   | Min. | Typ. | Max. | Unit    |
|--------------|--------------------------|--|------|------|------|---------|
| $V_O$        | Output voltage           | $V_{in} = 4.5$ V, $I_O = 10$ mA, $T_J = 25$ °C   | 2.45 | 2.5  | 2.55 | V       |
| $V_O$        | Output voltage           | $I_O = 0$ to 800 mA, $V_{in} = 3.9$ to 10 V  | 2.4  |      | 2.6  | V       |
| $\Delta V_O$ | Line regulation          | $V_{in} = 3.9$ to 10 V, $I_O = 0$ mA   |      | 1    | 30   | mV      |
| $\Delta V_O$ | Load regulation          | $V_{in} = 3.9$ V, $I_O = 0$ to 800 mA  |      | 1    | 30   | mV      |
| $\Delta V_O$ | Temperature stability    |  |      | 0.5  |      | %       |
| $\Delta V_O$ | Long term stability      | 1000 hrs, $T_J = 125$ °C   |      | 0.3  |      | %       |
| $V_{in}$     | Operating input voltage  | $I_O = 100$ mA   |      |      | 15   | V       |
| $I_d$        | Quiescent current        | $V_{in} \leq 10$ V   |      | 5    | 10   | mA      |
| $I_O$        | Output current           | $V_{in} = 7.5$ V $T_J = 25$ °C   | 800  | 950  | 1300 | mA      |
| eN           | Output noise voltage     | B = 10 Hz to 10 kHz, $T_J = 25$ °C   |      | 100  |      | $\mu$ V |
| SVR          | Supply voltage rejection | $I_O = 40$ mA, $f = 120$ Hz, $T_J = 25$ °C<br>$V_{in} = 5.5$ V, $V_{ripple} = 1$ V <sub>PP</sub> | 60   | 75   |      | dB      |
| $V_d$        | Dropout voltage          | $I_O = 100$ mA, $T_J = 0$ to $125$ °C  |      | 1    | 1.1  | V       |
|              |                          | $I_O = 500$ mA, $T_J = 0$ to $125$ °C  |      | 1.05 | 1.15 |         |
|              |                          | $I_O = 800$ mA, $T_J = 0$ to $125$ °C  |      | 1.10 | 1.2  |         |
| $V_d$        | Dropout voltage          | $I_O = 100$ mA   |      |      | 1.1  | V       |
|              |                          | $I_O = 500$ mA   |      |      | 1.2  |         |
|              |                          | $I_O = 800$ mA   |      |      | 1.3  |         |
|              | Thermal regulation       | $T_a = 25$ °C, 30 ms Pulse   |      | 0.01 | 0.1  | %/W     |

Refer to the test circuits,  $T_J = -40$  to  $125\text{ }^\circ\text{C}$ ,  $C_O = 10\text{ }\mu\text{F}$ , unless otherwise specified.

**Table 12. Electrical characteristics of LD1117#33C**

| Symbol       | Parameter                | Test condition  | Min. | Typ. | Max. | Unit          |
|--------------|--------------------------|---|------|------|------|---------------|
| $V_O$        | Output voltage           | $V_{in} = 5.3\text{ V}$ , $I_O = 10\text{ mA}$ , $T_J = 25\text{ }^\circ\text{C}$   | 3.24 | 3.3  | 3.36 | V             |
| $V_O$        | Output voltage           | $I_O = 0$ to $800\text{ mA}$ , $V_{in} = 4.75$ to $10\text{ V}$   | 3.16 |      | 3.44 | V             |
| $\Delta V_O$ | Line regulation          | $V_{in} = 4.75$ to $15\text{ V}$ , $I_O = 0\text{ mA}$  |      | 1    | 30   | mV            |
| $\Delta V_O$ | Load regulation          | $V_{in} = 4.75\text{ V}$ , $I_O = 0$ to $800\text{ mA}$   |      | 1    | 30   | mV            |
| $\Delta V_O$ | Temperature stability    |   |      | 0.5  |      | %             |
| $\Delta V_O$ | Long term stability      | 1000 hrs, $T_J = 125\text{ }^\circ\text{C}$   |      | 0.3  |      | %             |
| $V_{in}$     | Operating input voltage  | $I_O = 100\text{ mA}$   |      |      | 15   | V             |
| $I_d$        | Quiescent current        | $V_{in} \leq 15\text{ V}$   |      | 5    | 10   | mA            |
| $I_O$        | Output current           | $V_{in} = 8.3\text{ V}$ , $T_J = 25\text{ }^\circ\text{C}$  | 800  | 950  | 1300 | mA            |
| eN           | Output noise voltage     | $B = 10\text{ Hz}$ to $10\text{ kHz}$ , $T_J = 25\text{ }^\circ\text{C}$  |      | 100  |      | $\mu\text{V}$ |
| SVR          | Supply voltage rejection | $I_O = 40\text{ mA}$ , $f = 120\text{ Hz}$ , $T_J = 25\text{ }^\circ\text{C}$<br>$V_{in} = 6.3\text{ V}$ , $V_{ripple} = 1\text{ V}_{PP}$ | 60   | 75   |      | dB            |
| $V_d$        | Dropout voltage          | $I_O = 100\text{ mA}$ , $T_J = 0$ to $125\text{ }^\circ\text{C}$  |      | 1    | 1.1  | V             |
|              |                          | $I_O = 500\text{ mA}$ , $T_J = 0$ to $125\text{ }^\circ\text{C}$  |      | 1.05 | 1.15 |               |
|              |                          | $I_O = 800\text{ mA}$ , $T_J = 0$ to $125\text{ }^\circ\text{C}$  |      | 1.10 | 1.2  |               |
| $V_d$        | Dropout voltage          | $I_O = 100\text{ mA}$   |      |      | 1.1  | V             |
|              |                          | $I_O = 500\text{ mA}$   |      |      | 1.2  |               |
|              |                          | $I_O = 800\text{ mA}$   |      |      | 1.3  |               |
|              | Thermal regulation       | $T_a = 25\text{ }^\circ\text{C}$ , 30 ms Pulse  |      | 0.01 | 0.1  | %/W           |

Refer to the test circuits,  $T_J = -40$  to  $125$  °C,  $C_O = 10$   $\mu$ F, unless otherwise specified.

**Table 13. Electrical characteristics of LD1117#50C**

| Symbol       | Parameter                | Test condition   | Min. | Typ. | Max. | Unit    |
|--------------|--------------------------|--|------|------|------|---------|
| $V_O$        | Output voltage           | $V_{in} = 7$ V, $I_O = 10$ mA, $T_J = 25$ °C   | 4.9  | 5    | 5.1  | V       |
| $V_O$        | Output voltage           | $I_O = 0$ to 800 mA, $V_{in} = 6.5$ to 15 V  | 4.8  |      | 5.2  | V       |
| $\Delta V_O$ | Line regulation          | $V_{in} = 6.5$ to 15 V, $I_O = 0$ mA   |      | 1    | 50   | mV      |
| $\Delta V_O$ | Load regulation          | $V_{in} = 6.5$ V, $I_O = 0$ to 800 mA  |      | 1    | 50   | mV      |
| $\Delta V_O$ | Temperature stability    |  |      | 0.5  |      | %       |
| $\Delta V_O$ | Long term stability      | 1000 hrs, $T_J = 125$ °C   |      | 0.3  |      | %       |
| $V_{in}$     | Operating input voltage  | $I_O = 100$ mA   |      |      | 15   | V       |
| $I_d$        | Quiescent current        | $V_{in} \leq 15$ V   |      | 5    | 10   | mA      |
| $I_O$        | Output current           | $V_{in} = 10$ V, $T_J = 25$ °C   | 800  | 950  | 1300 | mA      |
| eN           | Output noise voltage     | B = 10 Hz to 10 kHz, $T_J = 25$ °C   |      | 100  |      | $\mu$ V |
| SVR          | Supply voltage rejection | $I_O = 40$ mA, $f = 120$ Hz, $T_J = 25$ °C<br>$V_{in} = 8$ V, $V_{ripple} = 1$ V <sub>PP</sub> | 60   | 75   |      | dB      |
| $V_d$        | Dropout voltage          | $I_O = 100$ mA, $T_J = 0$ to 125 °C  |      | 1    | 1.1  | V       |
|              |                          | $I_O = 500$ mA, $T_J = 0$ to 125 °C  |      | 1.05 | 1.15 |         |
|              |                          | $I_O = 800$ mA, $T_J = 0$ to 125 °C  |      | 1.10 | 1.2  |         |
| $V_d$        | Dropout voltage          | $I_O = 100$ mA   |      |      | 1.1  | V       |
|              |                          | $I_O = 500$ mA   |      |      | 1.2  |         |
|              |                          | $I_O = 800$ mA   |      |      | 1.3  |         |
|              | Thermal regulation       | $T_a = 25$ °C, 30 ms Pulse   |      | 0.01 | 0.1  | %/W     |

Refer to the test circuits,  $T_J = -40$  to  $125\text{ }^\circ\text{C}$ ,  $C_O = 10\text{ }\mu\text{F}$ , unless otherwise specified.

**Table 14. Electrical characteristics of LD1117C (adjustable)**

| Symbol           | Parameter                     | Test condition  | Min.  | Typ.  | Max.  | Unit          |
|------------------|-------------------------------|---|-------|-------|-------|---------------|
| $V_{ref}$        | Reference voltage             | $V_{in} - V_O = 2\text{ V}$ , $I_O = 10\text{ mA}$ , $T_J = 25\text{ }^\circ\text{C}$   | 1.225 | 1.25  | 1.275 | V             |
| $V_{ref}$        | Reference voltage             | $I_O = 10$ to $800\text{ mA}$ , $V_{in} - V_O = 1.4$ to $10\text{ V}$   | 1.2   |       | 1.3   | V             |
| $\Delta V_O$     | Line regulation               | $V_{in} - V_O = 1.5$ to $13.75\text{ V}$ , $I_O = 10\text{ mA}$   |       |       | 1     | %             |
| $\Delta V_O$     | Load regulation               | $V_{in} - V_O = 3\text{ V}$ , $I_O = 10$ to $800\text{ mA}$   |       |       | 1     | %             |
| $\Delta V_O$     | Temperature stability         |   |       | 0.5   |       | %             |
| $\Delta V_O$     | Long term stability           | 1000 hrs, $T_J = 125\text{ }^\circ\text{C}$   |       | 0.3   |       | %             |
| $V_{in}$         | Operating input voltage       |   |       |       | 15    | V             |
| $I_{adj}$        | Adjustment pin current        | $V_{in} \leq 15\text{ V}$   |       | 60    | 120   | $\mu\text{A}$ |
| $\Delta I_{adj}$ | Adjustment pin current change | $V_{in} - V_O = 1.4$ to $10\text{ V}$ , $I_O = 10$ to $800\text{ mA}$   |       | 1     | 10    | $\mu\text{A}$ |
| $I_{O(min)}$     | Minimum load current          | $V_{in} = 15\text{ V}$  |       | 2     | 5     | mA            |
| $I_O$            | Output current                | $V_{in} - V_O = 5\text{ V}$ , $T_J = 25\text{ }^\circ\text{C}$  | 800   | 950   | 1300  | mA            |
| eN               | Output noise ( $\%V_O$ )      | $B = 10\text{ Hz}$ to $10\text{ kHz}$ , $T_J = 25\text{ }^\circ\text{C}$  |       | 0.003 |       | %             |
| SVR              | Supply voltage rejection      | $I_O = 40\text{ mA}$ , $f = 120\text{ Hz}$ , $T_J = 25\text{ }^\circ\text{C}$<br>$V_{in} - V_O = 3\text{ V}$ , $V_{ripple} = 1\text{ V}_{PP}$ | 60    | 75    |       | dB            |
| $V_d$            | Dropout voltage               | $I_O = 100\text{ mA}$ , $T_J = 0$ to $125\text{ }^\circ\text{C}$  |       | 1     | 1.1   | V             |
|                  |                               | $I_O = 500\text{ mA}$ , $T_J = 0$ to $125\text{ }^\circ\text{C}$  |       | 1.05  | 1.15  |               |
|                  |                               | $I_O = 800\text{ mA}$ , $T_J = 0$ to $125\text{ }^\circ\text{C}$  |       | 1.10  | 1.2   |               |
| $V_d$            | Dropout voltage               | $I_O = 100\text{ mA}$   |       |       | 1.1   | V             |
|                  |                               | $I_O = 500\text{ mA}$   |       |       | 1.2   |               |
|                  |                               | $I_O = 800\text{ mA}$   |       |       | 1.3   |               |
|                  | Thermal regulation            | $T_a = 25\text{ }^\circ\text{C}$ , 30 ms Pulse  |       | 0.01  | 0.1   | %/W           |

## 6 Typical application

Figure 5. Negative supply

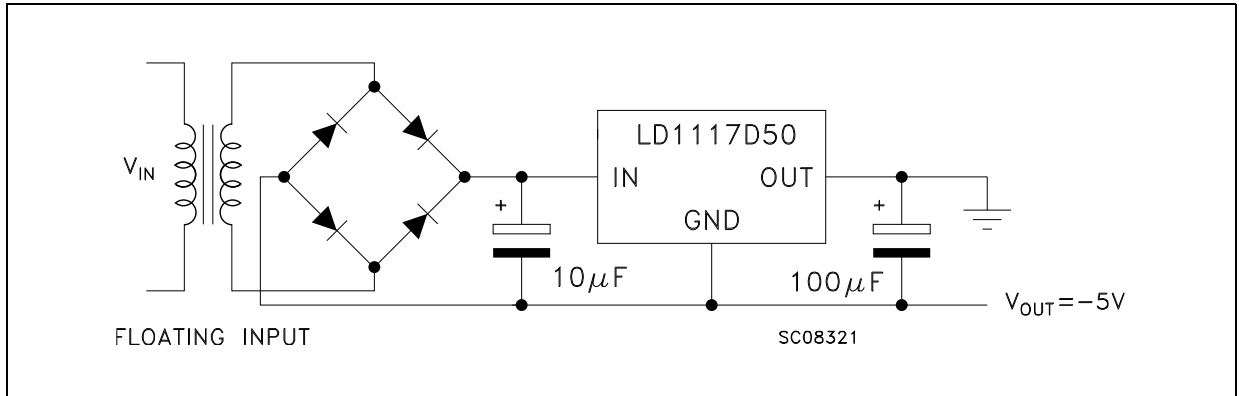


Figure 6. Circuit for increasing output voltage

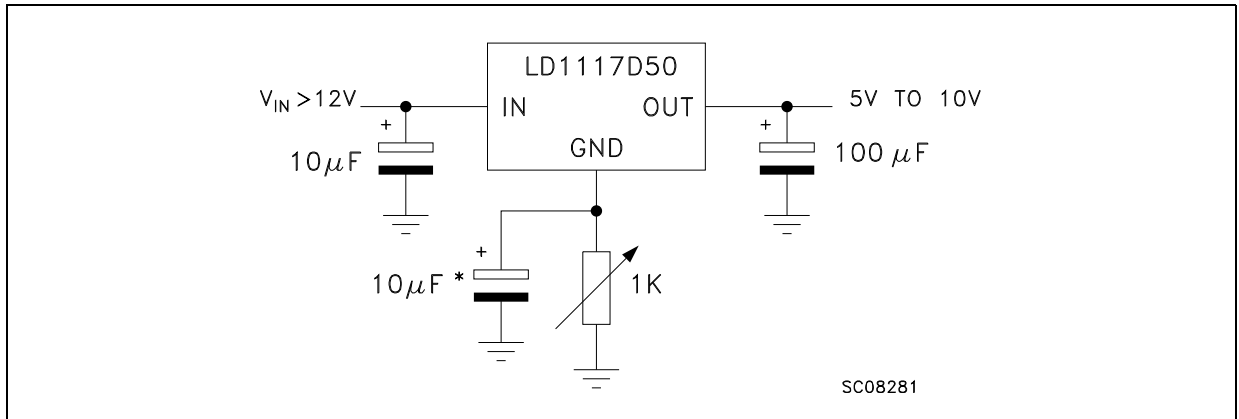


Figure 7. Voltage regulator with reference

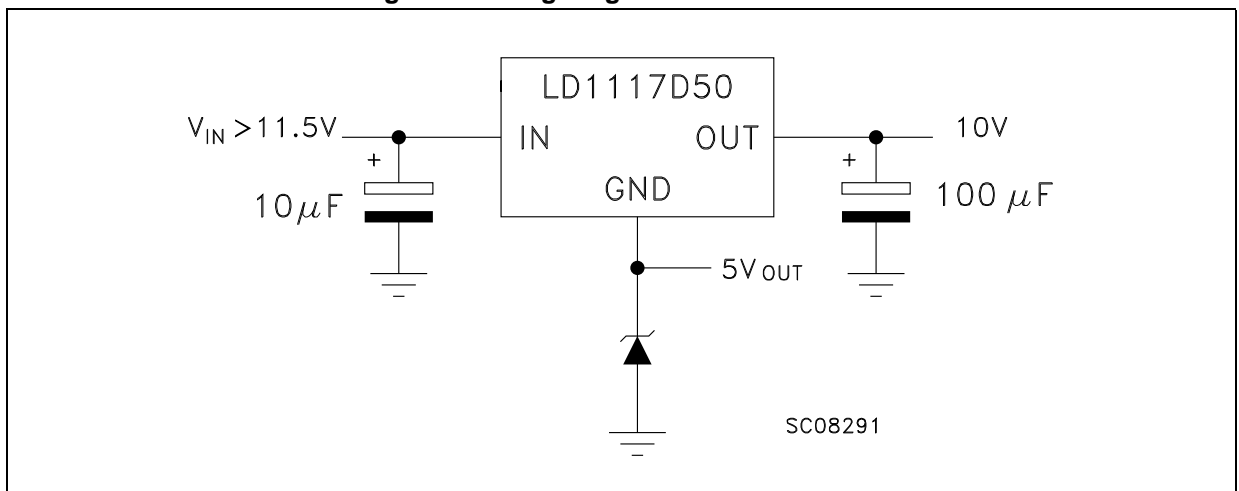


Figure 8. Battery backed-up regulated supply

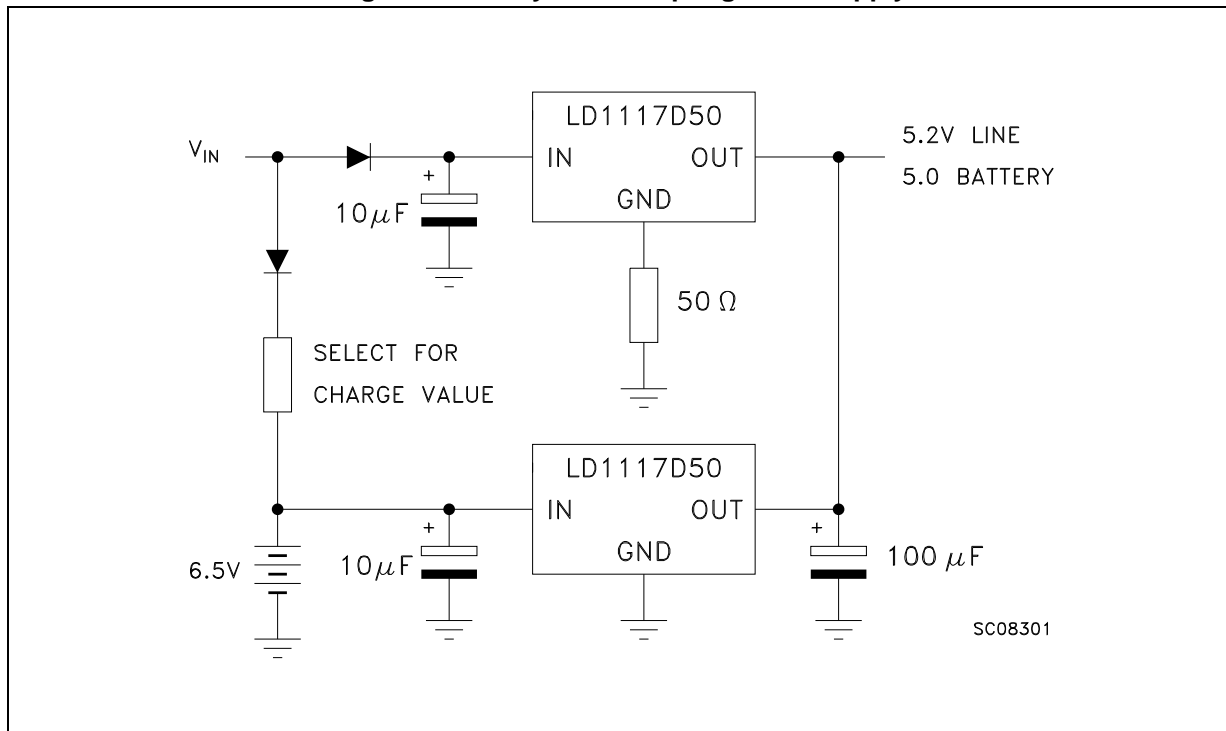
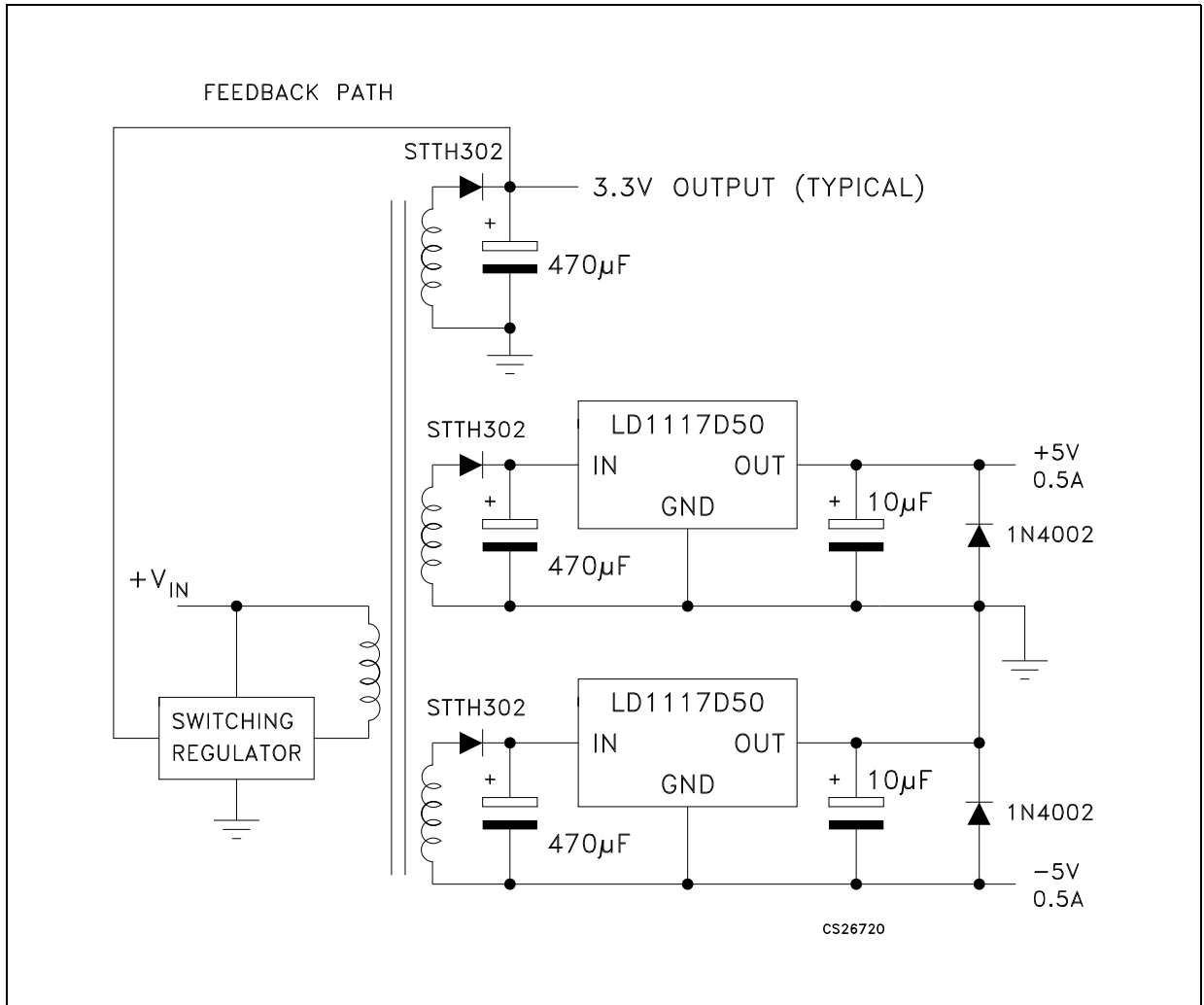


Figure 9. Post-regulated dual supply



## 7 LD1117 adjustable: application note

The LD1117 adjustable has a thermal stabilized  $1.25 \pm 0.012$  V reference voltage between the OUT and ADJ pins.  $I_{ADJ}$  is  $60 \mu\text{A}$  typ. ( $120 \mu\text{A}$  max.) and  $\Delta I_{ADJ}$  is  $1 \mu\text{A}$  typ. ( $5 \mu\text{A}$  max.).

$R_1$  is normally fixed to  $120 \Omega$ . From [Figure 9](#) we obtain:

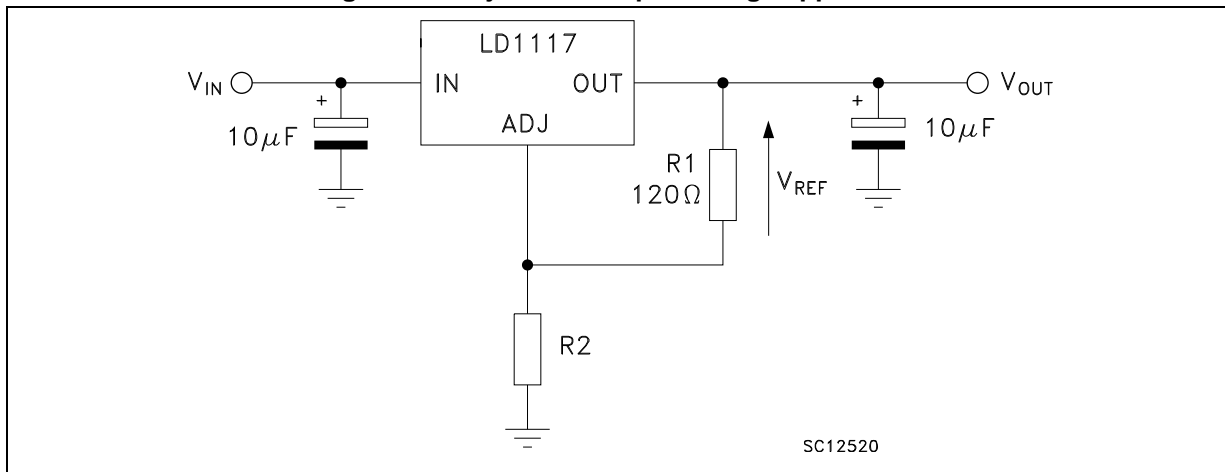
$$V_{OUT} = V_{REF} + R_2 (I_{ADJ} + I_{R1}) = V_{REF} + R_2 (I_{ADJ} + V_{REF} / R_1) = V_{REF} (1 + R_2 / R_1) + R_2 \times I_{ADJ}$$

In normal application  $R_2$  value is in the range of few  $k\Omega$ , so the  $R_2 \times I_{ADJ}$  product could not be considered in the  $V_{OUT}$  calculation; then the above expression becomes:

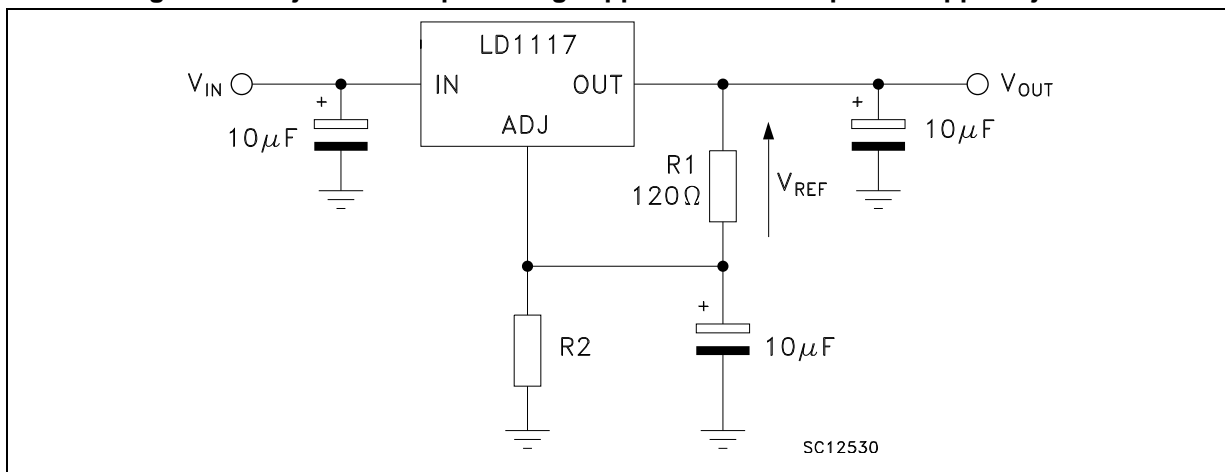
$$V_{OUT} = V_{REF} (1 + R_2 / R_1)$$

In order to have the better load regulation it is important to realize a good Kelvin connection of  $R_1$  and  $R_2$  resistors. In particular  $R_1$  connection must be realized very close to OUT and ADJ pin, while  $R_2$  ground connection must be placed as near as possible to the negative Load pin. Ripple rejection can be improved by introducing a  $10 \mu\text{F}$  electrolytic capacitor placed in parallel to the  $R_2$  resistor (see [Figure 10](#)).

**Figure 10. Adjustable output voltage application**



**Figure 11. Adjustable output voltage application with improved ripple rejection**





## 8 Package mechanical data

In order to meet environmental requirements, ST offers these devices in different grades of ECOPACK<sup>®</sup> packages, depending on their level of environmental compliance. ECOPACK<sup>®</sup> specifications, grade definitions and product status are available at: [www.st.com](http://www.st.com). ECOPACK<sup>®</sup> is an ST trademark.

**Table 15. TO-220 mechanical data (type STD-ST Dual Gauge)**

| Dim. | mm    |       |       |
|------|-------|-------|-------|
|      | Min.  | Typ.  | Max.  |
| A    | 4.40  |       | 4.60  |
| b    | 0.61  |       | 0.88  |
| b1   | 1.14  |       | 1.70  |
| c    | 0.48  |       | 0.70  |
| D    | 15.25 |       | 15.75 |
| D1   |       | 1.27  |       |
| E    | 10    |       | 10.40 |
| e    | 2.40  |       | 2.70  |
| e1   | 4.95  |       | 5.15  |
| F    | 1.23  |       | 1.32  |
| H1   | 6.20  |       | 6.60  |
| J1   | 2.40  |       | 2.72  |
| L    | 13    |       | 14    |
| L1   | 3.50  |       | 3.93  |
| L20  |       | 16.40 |       |
| L30  |       | 28.90 |       |
| ∅P   | 3.75  |       | 3.85  |
| Q    | 2.65  |       | 2.95  |

Figure 12. Drawing dimension TO-220 (type STD-ST Dual Gauge)

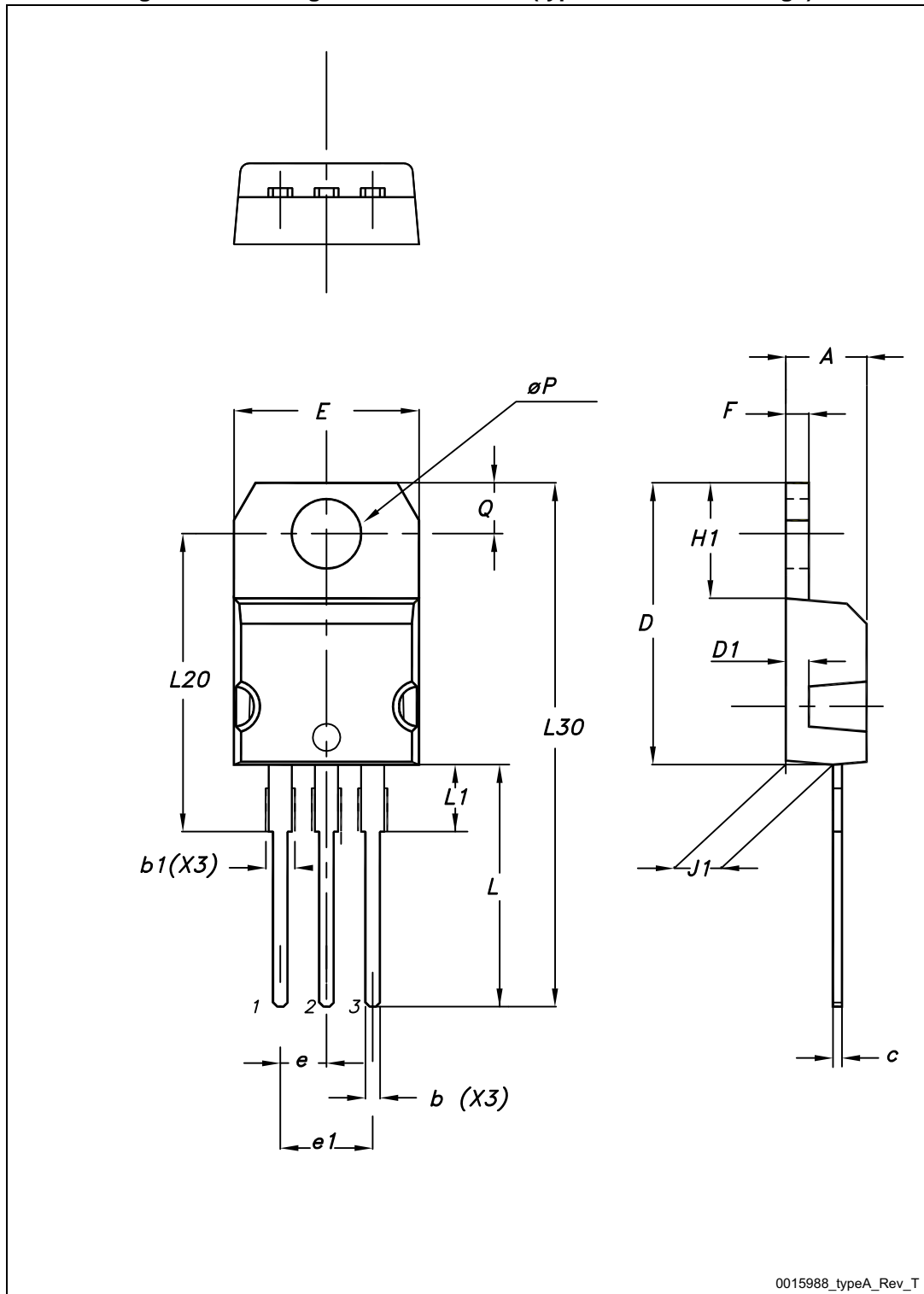


Table 16. TO-220 mechanical data (type STD-ST Single Gauge)

| Dim. | mm    |       |       |
|------|-------|-------|-------|
|      | Min.  | Typ.  | Max.  |
| A    | 4.40  |       | 4.60  |
| b    | 0.61  |       | 0.88  |
| b1   | 1.14  |       | 1.70  |
| c    | 0.48  |       | 0.70  |
| D    | 15.25 |       | 15.75 |
| E    | 10    |       | 10.40 |
| e    | 2.40  |       | 2.70  |
| e1   | 4.95  |       | 5.15  |
| F    | 0.51  |       | 0.60  |
| H1   | 6.20  |       | 6.60  |
| J1   | 2.40  |       | 2.72  |
| L    | 13    |       | 14    |
| L1   | 3.50  |       | 3.93  |
| L20  |       | 16.40 |       |
| L30  |       | 28.90 |       |
| ØP   | 3.75  |       | 3.85  |
| Q    | 2.65  |       | 2.95  |

Figure 13. Drawing dimension TO-220 (type STD-ST Single Gauge)

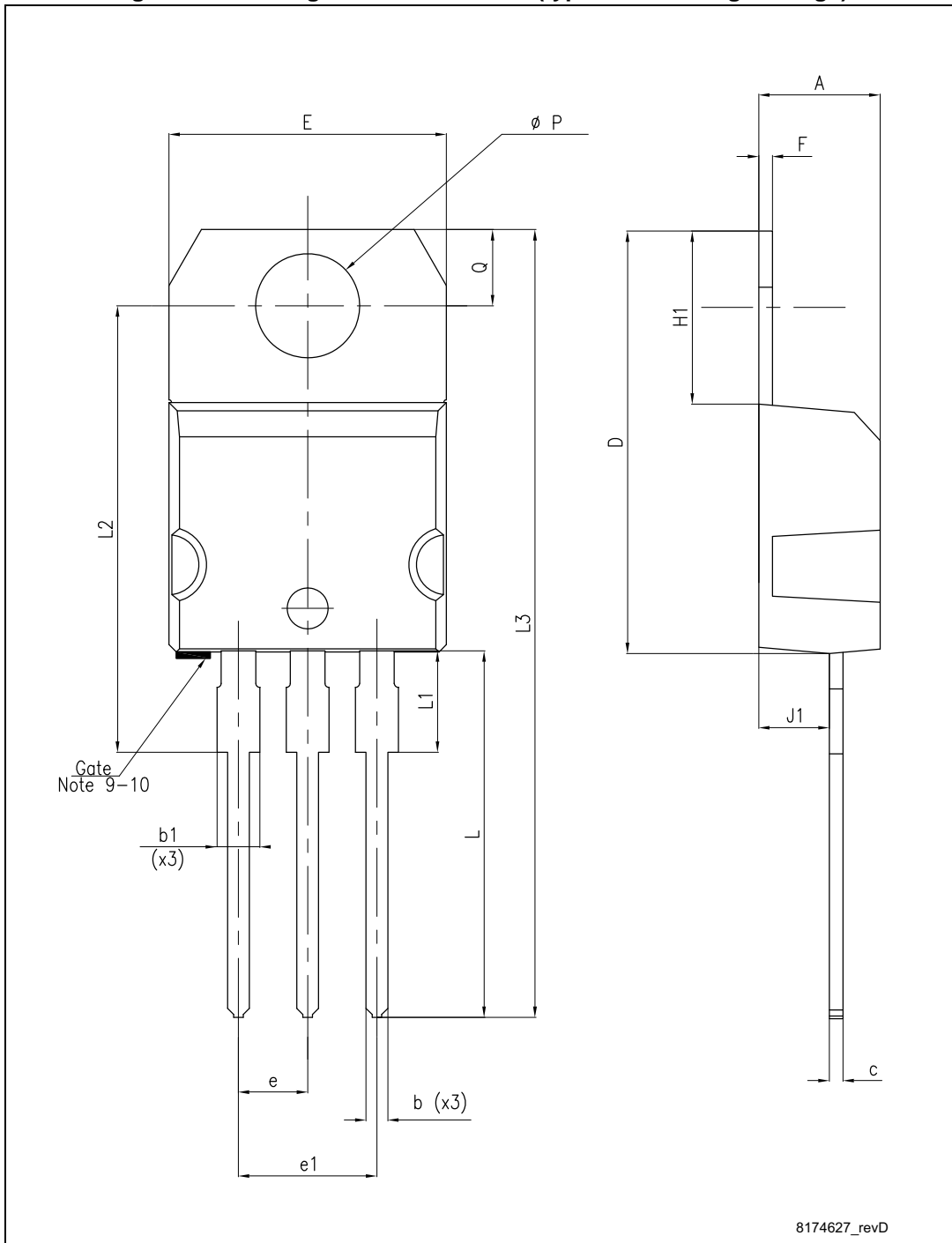


Table 17. SOT-223 mechanical data

| Dim. | mm   |      |      |
|------|------|------|------|
|      | Min. | Typ. | Max. |
| A    |      |      | 1.80 |
| A1   | 0.02 |      | 0.1  |
| B    | 0.60 | 0.70 | 0.85 |
| B1   | 2.90 | 3.00 | 3.15 |
| c    | 0.24 | 0.26 | 0.35 |
| D    | 6.30 | 6.50 | 6.70 |
| e    |      | 2.30 |      |
| e1   |      | 4.60 |      |
| E    | 3.30 | 3.50 | 3.70 |
| H    | 6.70 | 7.00 | 7.30 |
| V    |      |      | 10°  |

Figure 14. Drawing dimension SOT-223

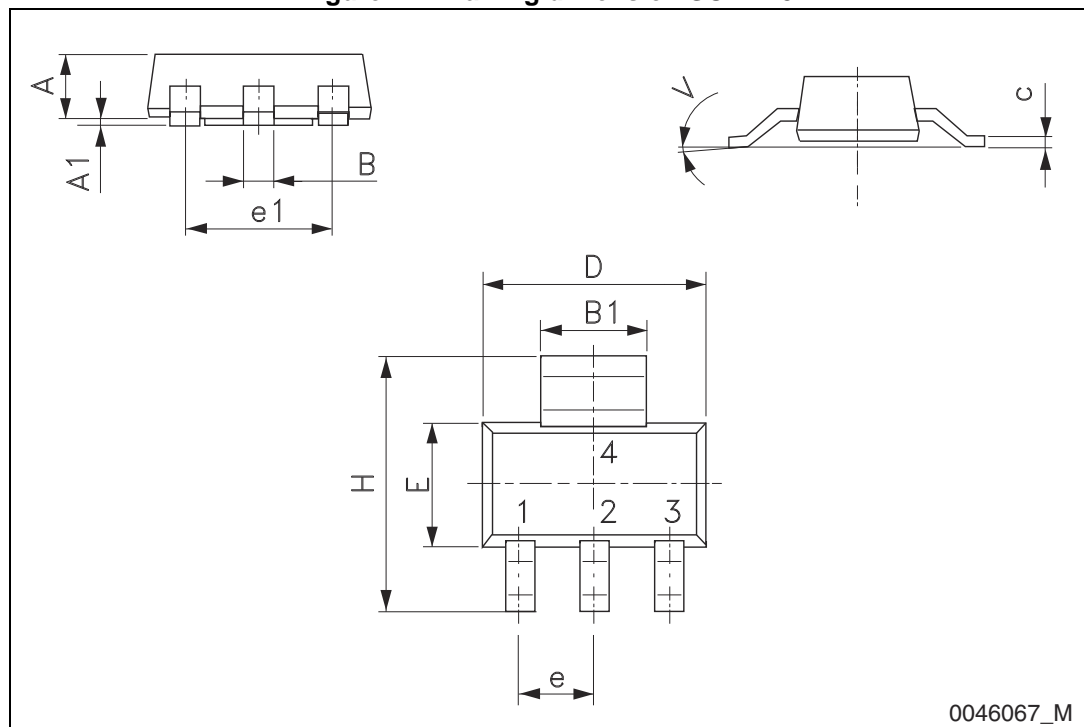


Table 18. SO-8 mechanical data

| Dim. | mm   |      |      |
|------|------|------|------|
|      | Min. | Typ. | Max. |
| A    |      |      | 1.75 |
| A1   | 0.10 |      | 0.25 |
| A2   | 1.25 |      |      |
| b    | 0.28 |      | 0.48 |
| c    | 0.17 |      | 0.23 |
| D    | 4.80 | 4.90 | 5.00 |
| E    | 5.80 | 6.00 | 6.20 |
| E1   | 3.80 | 3.90 | 4.00 |
| e    |      | 1.27 |      |
| h    | 0.25 |      | 0.50 |
| L    | 0.40 |      | 1.27 |
| L1   |      | 1.04 |      |
| k    | 0°   |      | 8°   |
| ccc  |      |      | 0.10 |

Figure 15. Drawing dimension SO-8

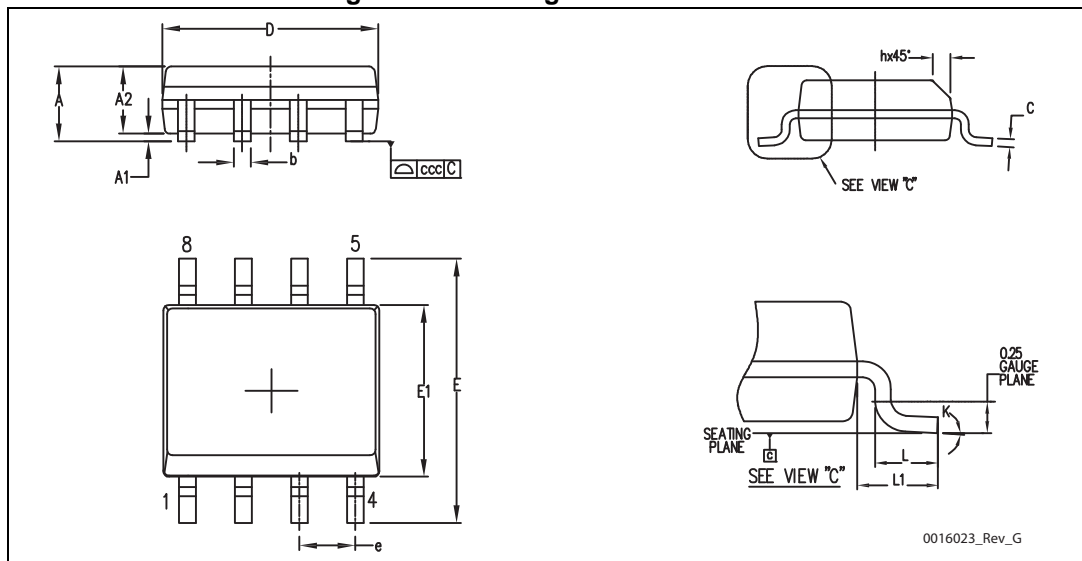
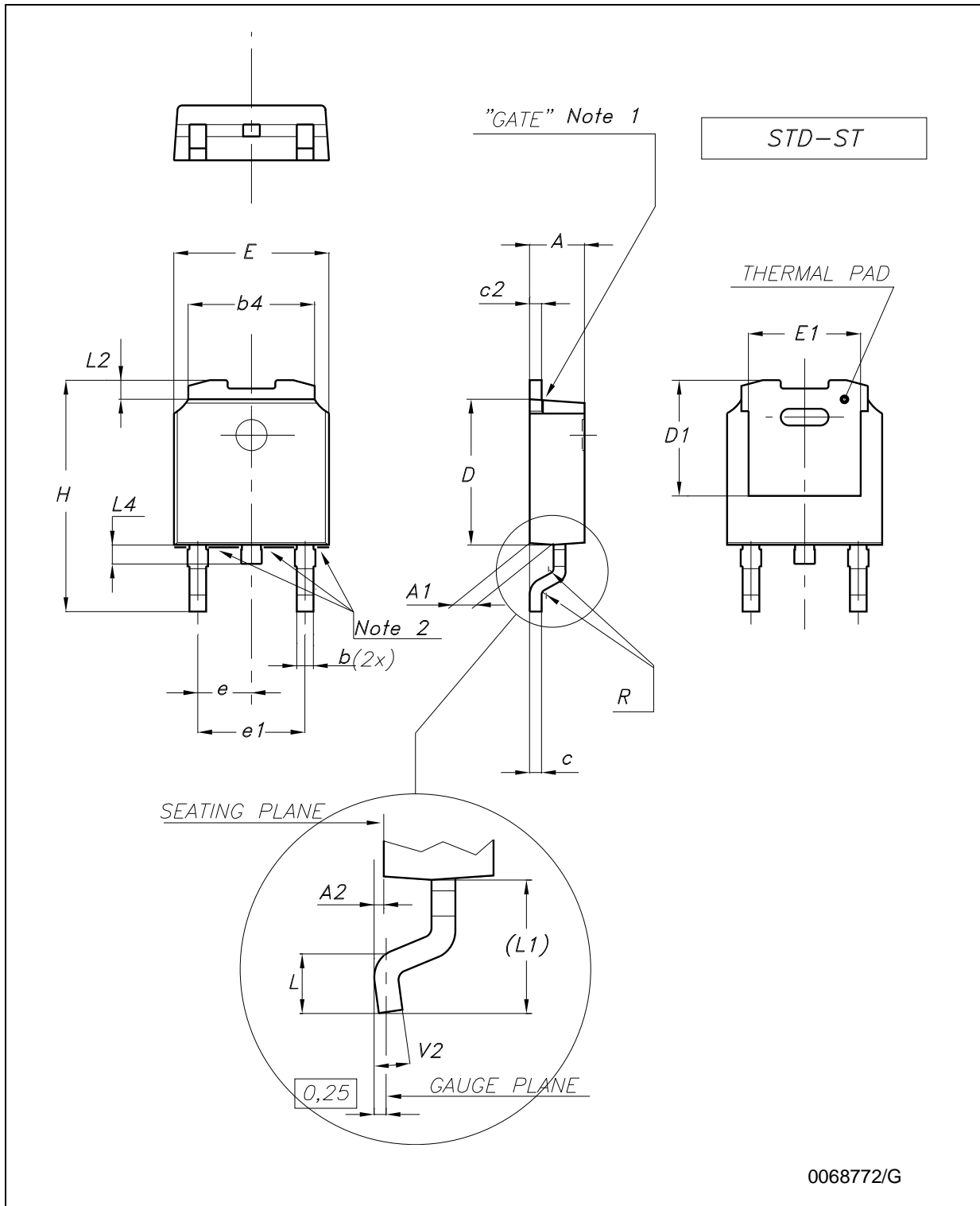


Table 19. DPAK mechanical data

| Dim. | Type STD-ST |      |       | Type Fujitsu-subcon. |      |       | Type IDS-subcon |      |       |
|------|-------------|------|-------|----------------------|------|-------|-----------------|------|-------|
|      | mm.         |      |       | mm.                  |      |       | mm.             |      |       |
|      | Min.        | Typ. | Max.  | Min.                 | Typ. | Max.  | Min.            | Typ. | Max.  |
| A    | 2.20        |      | 2.40  | 2.25                 | 2.30 | 2.35  | 2.19            |      | 2.38  |
| A1   | 0.90        |      | 1.10  | 0.96                 |      | 1.06  | 0.89            |      | 1.14  |
| A2   | 0.03        |      | 0.23  | 0                    |      | 0.10  | 0.03            |      | 0.23  |
| b    | 0.64        |      | 0.90  | 0.76                 |      | 0.86  | 0.64            |      | 0.88  |
| b4   | 5.20        |      | 5.40  | 5.28                 |      | 5.38  | 5.21            |      | 5.46  |
| c    | 0.45        |      | 0.60  | 0.46                 |      | 0.56  | 0.46            |      | 0.58  |
| c2   | 0.48        |      | 0.60  | 0.46                 |      | 0.56  | 0.46            |      | 0.58  |
| D    | 6.00        |      | 6.20  | 6.05                 |      | 6.15  | 5.97            |      | 6.22  |
| D1   |             | 5.10 |       | 5.27                 |      | 5.47  |                 | 5.20 |       |
| E    | 6.40        |      | 6.60  | 6.55                 | 6.60 | 6.65  | 6.35            |      | 6.73  |
| E1   |             | 4.70 |       |                      | 4.77 |       |                 | 4.70 |       |
| e    |             | 2.28 |       | 2.23                 | 2.28 | 2.33  |                 | 2.28 |       |
| e1   | 4.40        |      | 4.60  |                      |      |       | 4.51            |      | 4.61  |
| H    | 9.35        |      | 10.10 | 9.90                 |      | 10.30 | 9.40            |      | 10.42 |
| L    | 1.00        |      |       | 1.40                 |      | 1.60  | 0.90            |      |       |
| L1   |             | 2.80 |       |                      |      |       | 2.50            |      | 2.65  |
| L2   |             | 0.80 |       | 1.03                 |      | 1.13  | 0.89            |      | 1.27  |
| L4   | 0.60        |      | 1.00  | 0.70                 |      | 0.90  | 0.64            |      | 1.02  |
| R    |             | 0.20 |       |                      | 0.40 |       |                 | 0.20 |       |
| V2   | 0°          |      | 8°    | 0°                   |      | 8°    | 0°              |      | 8°    |

*Note: The DPAK package coming from the two subcontractors (Fujitsu and IDS) are fully compatible with the ST's package suggested footprint.*

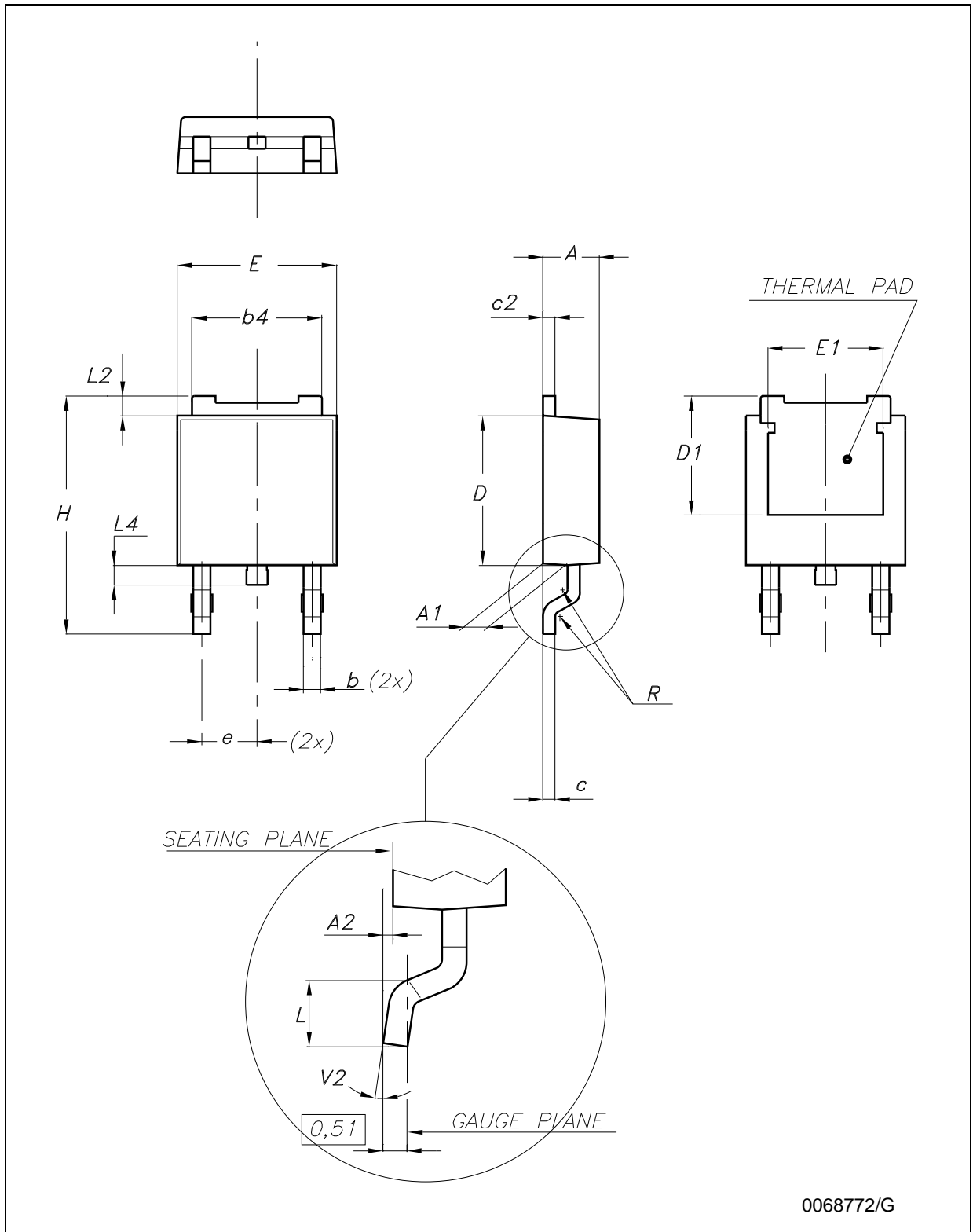
Figure 16. Drawing dimension DPAK (type STD-ST)



Note: 1 Maximum resin gate protrusion: 0.5 mm.  
 2 Maximum resin protrusion: 0.25 mm.



Figure 17. Drawing dimension DPAK (type Fujitsu-subcon.)



0068772/G

Figure 18. Drawing dimension DPAK (type IDS-subcon.)

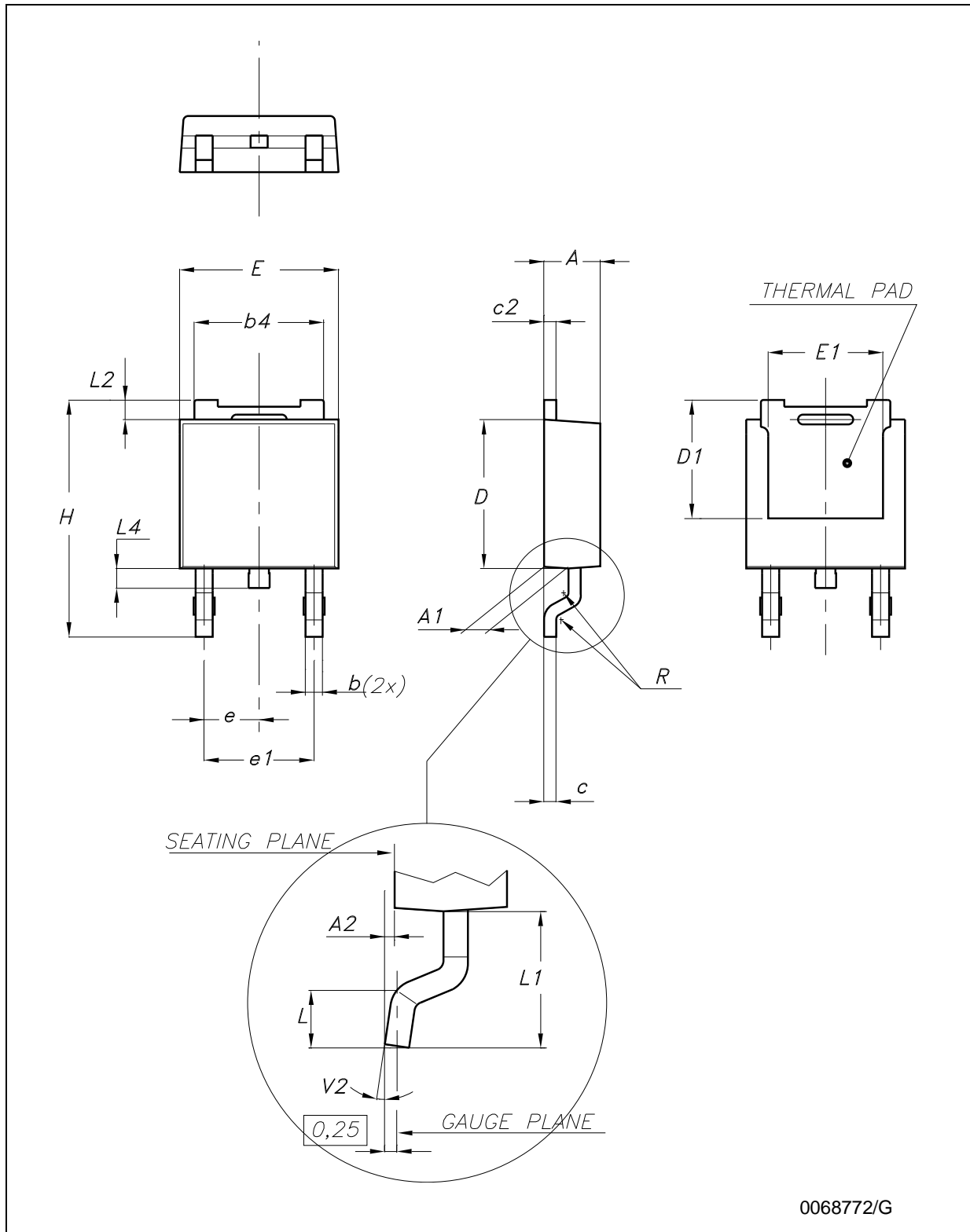
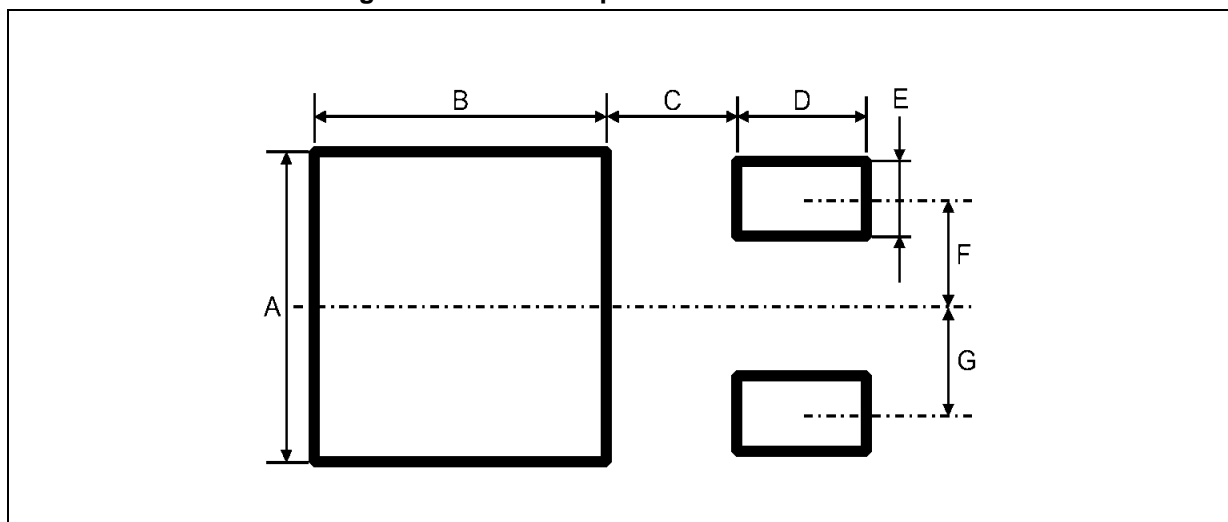


Table 20. Footprint data

|   | Values |       |
|---|--------|-------|
|   | mm.    | inch. |
| A | 6.70   | 0.264 |
| B | 6.70   | 0.64  |
| C | 1.8    | 0.070 |
| D | 3.0    | 0.118 |
| E | 1.60   | 0.063 |
| F | 2.30   | 0.091 |
| G | 2.30   | 0.091 |

Figure 19. DPAK footprint recommended data



# 9 Packaging mechanical data

Figure 20. Drawing dimension tube for TO-220 Dual Gauge (mm.)

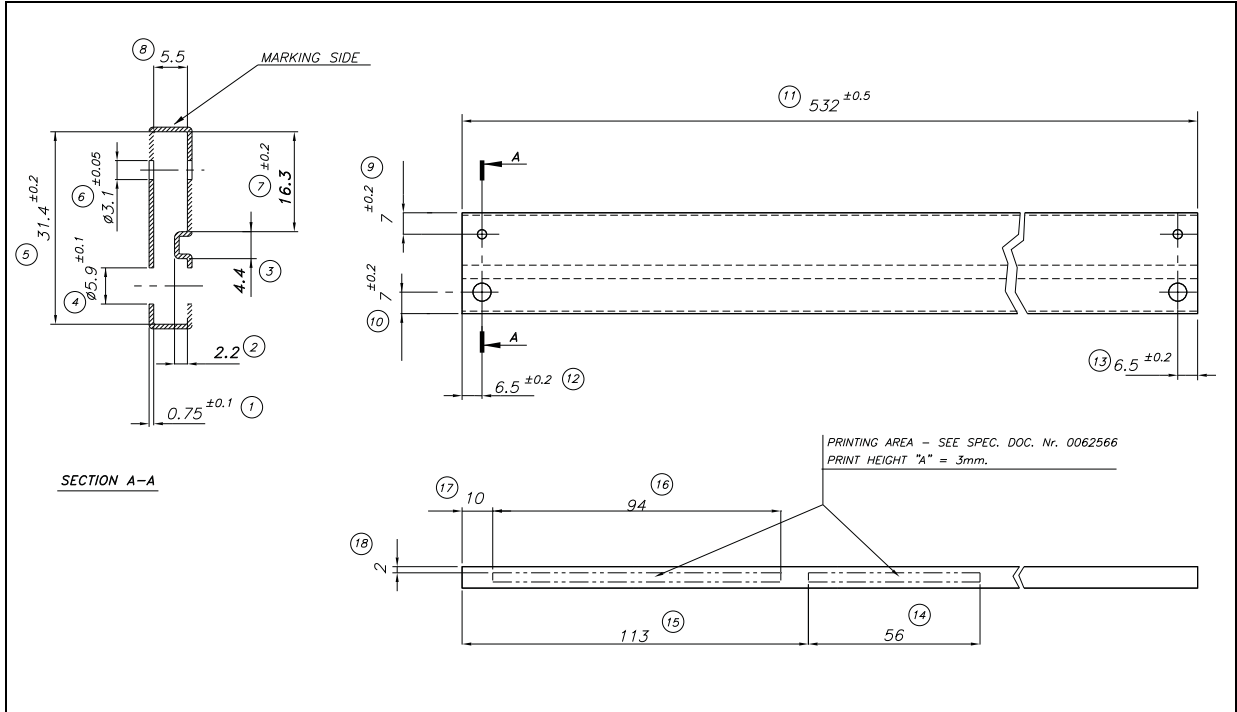


Figure 21. Drawing dimension tube for TO-220 Single Gauge (mm.)

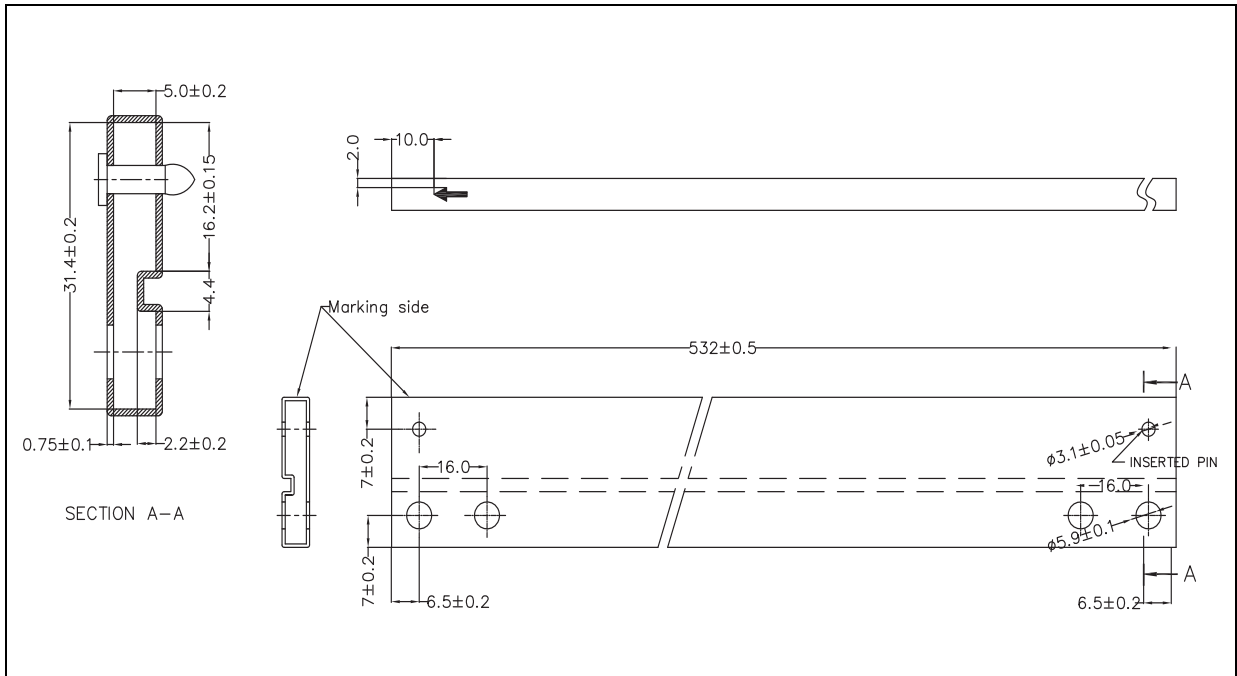


Table 21. SOT-223 tape and reel mechanical data

| Tape      |      |      |      | Reel              |      |      |
|-----------|------|------|------|-------------------|------|------|
| Dim.      | mm   |      |      | Dim.              | mm   |      |
|           | Min. | Typ. | Max. |                   | Min. | Max. |
| A0        | 6.75 | 6.85 | 6.95 | A                 |      | 180  |
| B0        | 7.30 | 7.40 | 7.50 | N                 | 60   |      |
| K0        | 1.80 | 1.90 | 2.00 | W1                |      | 12.4 |
| F         | 5.40 | 5.50 | 5.60 | W2                |      | 18.4 |
| E         | 1.65 | 1.75 | 1.85 | W3                | 11.9 | 15.4 |
| W         | 11.7 | 12   | 12.3 |                   |      |      |
| P2        | 1.90 | 2    | 2.10 | Base quantity pcs | 1000 |      |
| P0        | 3.90 | 4    | 4.10 | Bulk quantity pcs | 1000 |      |
| P1        | 7.90 | 8    | 8.10 |                   |      |      |
| T         | 0.25 | 0.30 | 0.35 |                   |      |      |
| D $\phi$  | 1.50 | 1.55 | 1.60 |                   |      |      |
| D1 $\phi$ | 1.50 | 1.60 | 1.70 |                   |      |      |

Figure 22. Tape for SOT-223 (dimensions are in mm)

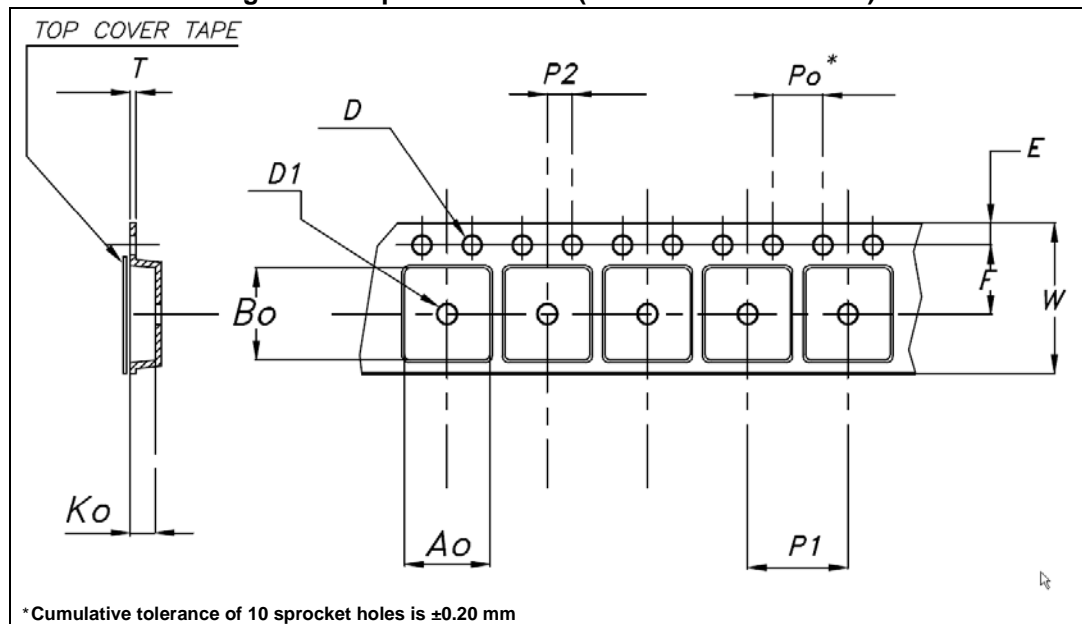


Figure 23. Reel for SOT-223 (dimensions are in mm)

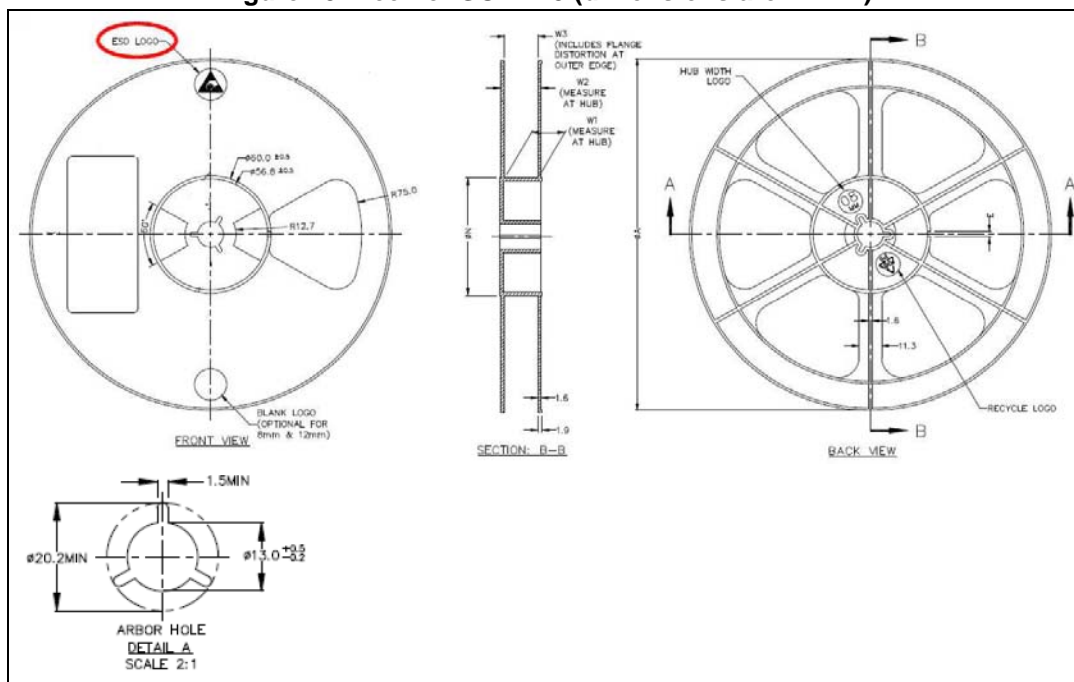


Table 22. SO-8 tape and reel mechanical data

| Dim. | mm   |      |      |
|------|------|------|------|
|      | Min. | Typ. | Max. |
| A    |      |      | 330  |
| C    | 12.8 |      | 13.2 |
| D    | 20.2 |      |      |
| N    | 60   |      |      |
| T    |      |      | 22.4 |
| Ao   | 8.1  |      | 8.5  |
| Bo   | 5.5  |      | 5.9  |
| Ko   | 2.1  |      | 2.3  |
| Po   | 3.9  |      | 4.1  |
| P    | 7.9  |      | 8.1  |

Figure 24. SO-8 tape and reel dimensions

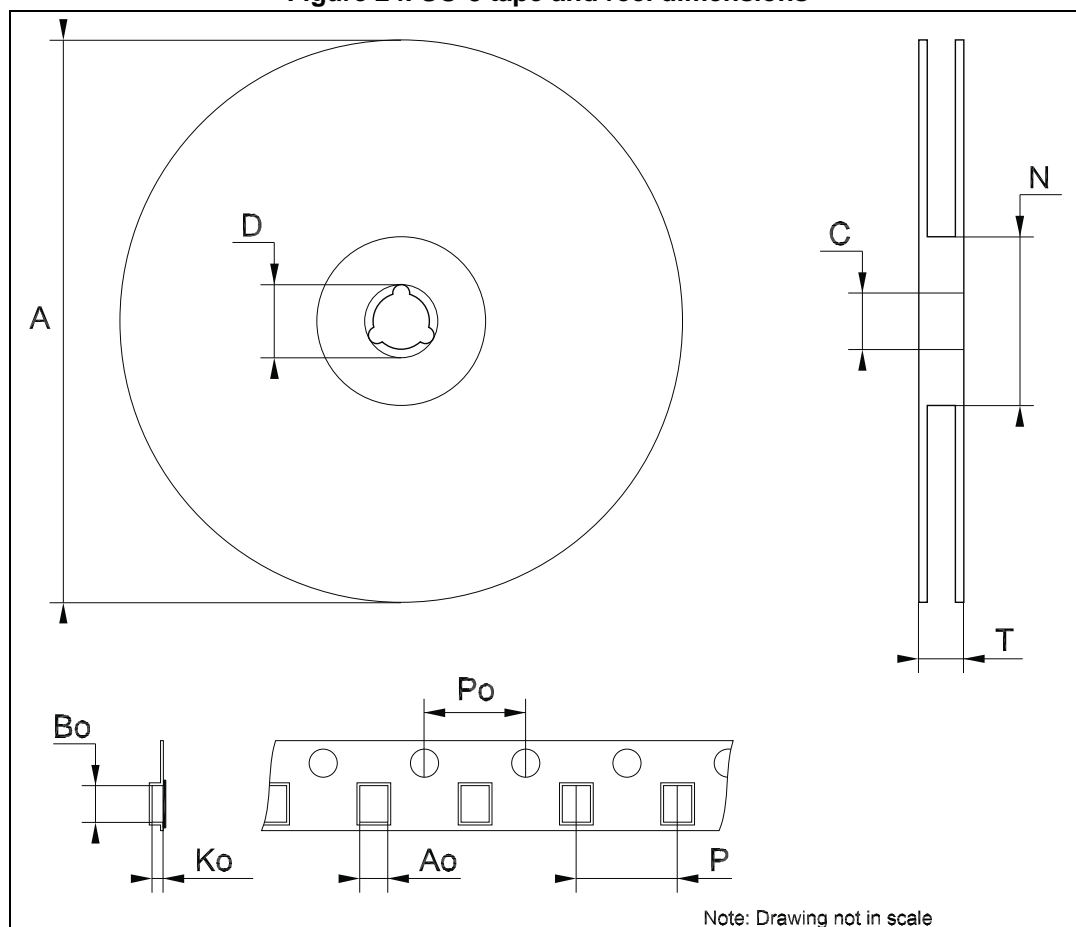
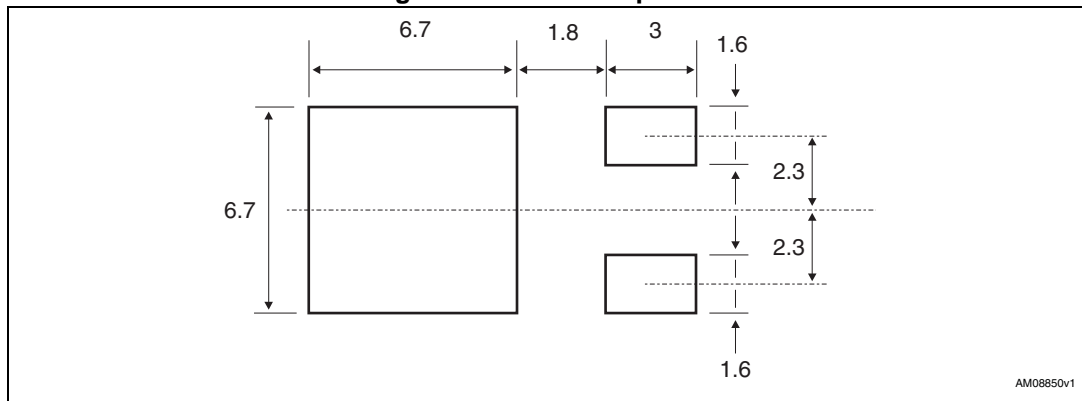


Table 23. DPAK tape and reel mechanical data

| Tape |      |      | Reel      |      |      |
|------|------|------|-----------|------|------|
| Dim. | mm   |      | Dim.      | mm   |      |
|      | Min. | Max. |           | Min. | Max. |
| A0   | 6.8  | 7    | A         |      | 330  |
| B0   | 10.4 | 10.6 | B         | 1.5  |      |
| B1   |      | 12.1 | C         | 12.8 | 13.2 |
| D    | 1.5  | 1.6  | D         | 20.2 |      |
| D1   | 1.5  |      | G         | 16.4 | 18.4 |
| E    | 1.65 | 1.85 | N         | 50   |      |
| F    | 7.4  | 7.6  | T         |      | 22.4 |
| K0   | 2.55 | 2.75 |           |      |      |
| P0   | 3.9  | 4.1  | Base qty. |      | 2500 |
| P1   | 7.9  | 8.1  | Bulk qty. |      | 2500 |
| P2   | 1.9  | 2.1  |           |      |      |
| R    | 40   |      |           |      |      |
| T    | 0.25 | 0.35 |           |      |      |
| W    | 15.7 | 16.3 |           |      |      |

Figure 25. DPAK footprint<sup>(a)</sup>



AM06850v1

a. All dimensions are in millimeters



Figure 26. Tape for DPAK

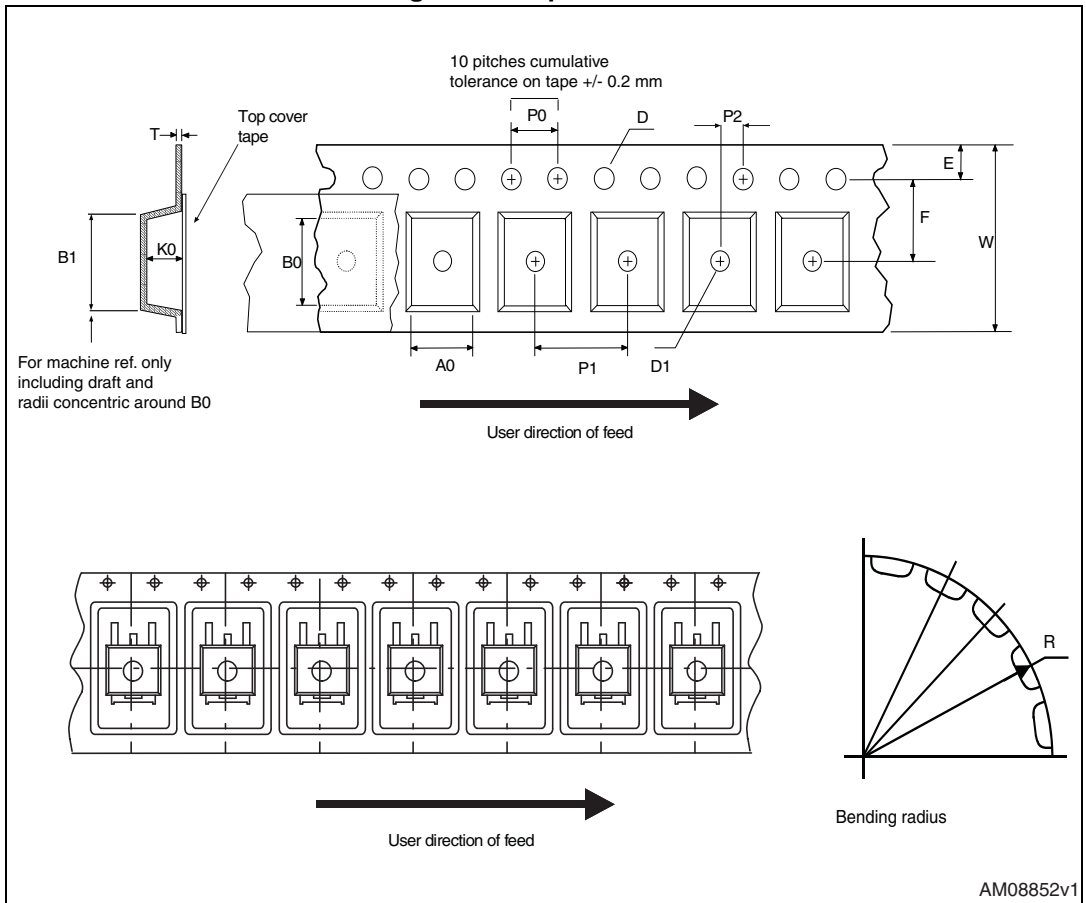
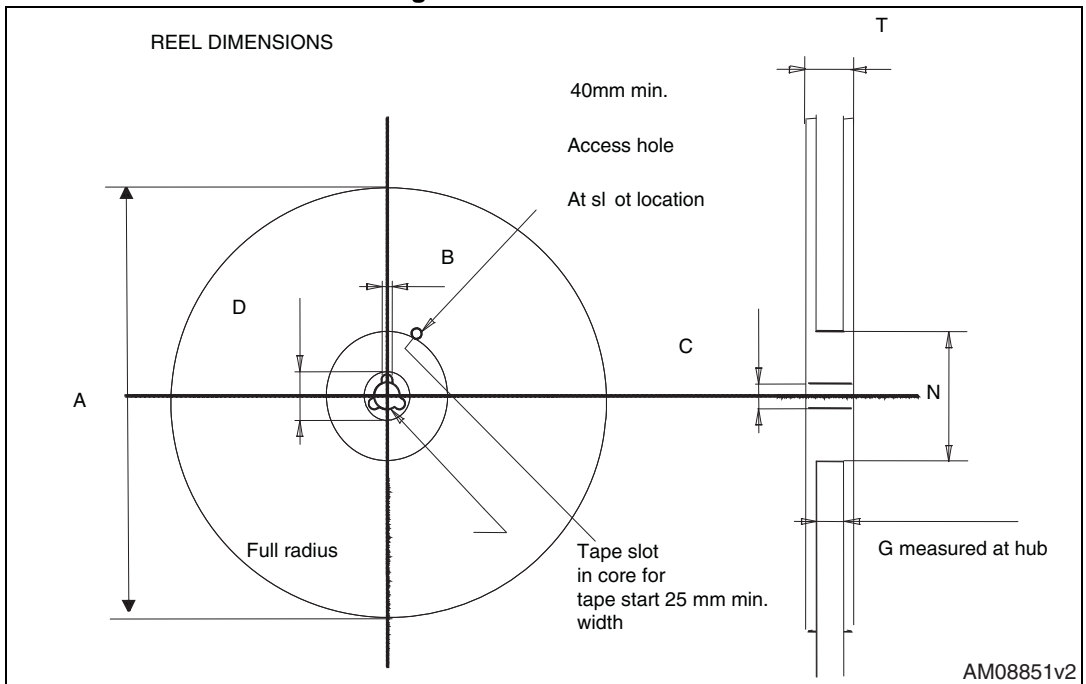


Figure 27. Reel for DPAK



## 10 Order codes

Table 24. Order codes

| Packages     |              |                         |            |                        |                          |
|--------------|--------------|-------------------------|------------|------------------------|--------------------------|
| SOT-223      | SO-8         | DPAK<br>(Tape and reel) | TO-220     | TO-220<br>(Dual Gauge) | Output<br>voltages       |
| LD1117S12TR  |              | LD1117DT12TR            |            |                        | 1.2 V                    |
| LD1117S12CTR |              | LD1117DT12CTR           |            |                        | 1.2 V                    |
| LD1117S18TR  |              | LD1117DT18TR            | LD1117V18  |                        | 1.8 V                    |
| LD1117S18CTR |              | LD1117DT18CTR           |            |                        | 1.8 V                    |
| LD1117S25TR  |              | LD1117DT25TR            |            |                        | 2.5 V                    |
| LD1117S25CTR |              | LD1117DT25CTR           |            |                        | 2.5 V                    |
| LD1117S33TR  | LD1117D33TR  | LD1117DT33TR            | LD1117V33  | LD1117V33-DG           | 3.3 V                    |
|              |              |                         |            | LD1117V33C-DG          | 3.3 V                    |
| LD1117S33CTR | LD1117D33CTR | LD1117DT33CTR           | LD1117V33C |                        | 3.3 V                    |
| LD1117S50TR  |              | LD1117DT50TR            | LD1117V50  | LD1117V50-DG           | 5 V                      |
|              |              |                         |            |                        | 5 V                      |
| LD1117S50CTR |              | LD1117DT50CTR           | LD1117V50C |                        | 5 V                      |
| LD1117STR    |              | LD1117DTTR              | LD1117V    | LD1117V-DG             | ADJ from<br>1.25 to 15 V |
|              |              |                         |            |                        | ADJ from<br>1.25 to 15 V |
| LD1117SC-R   |              | LD1117DTC-R             |            |                        | ADJ from<br>1.25 to 15 V |

# 11 Revision history

**Table 25. Document revision history**

| Date        | Revision | Changes   |
|-------------|----------|---|
| 22-Sep-2004 | 15       | Add new part number #12C; typing error: note on table 2.  |
| 25-Oct-2004 | 16       | Add $V_{ref}$ reference voltage on table 12.  |
| 18-Jul-2005 | 17       | The DPAK mechanical data updated.   |
| 25-Nov-2005 | 18       | The TO220FM package removed.  |
| 14-Dec-2005 | 19       | The $T_{op}$ on table 2 updated.  |
| 06-Dec-2006 | 20       | DPAK mechanical data updated and added footprint data.  |
| 05-Apr-2007 | 21       | Order codes updated.  |
| 30-Nov-2007 | 22       | Added <a href="#">Table 1</a> .   |
| 16-Apr-2008 | 23       | Modified: <a href="#">Table 24 on page 42</a> .   |
| 08-Jul-2008 | 24       | Added note <a href="#">1. on page 7</a> .   |
| 30-Mar-2009 | 25       | Modified: $V_{IN}$ max value <a href="#">Table 4 on page 10</a> and <a href="#">Figure 9 on page 23</a> .   |
| 29-Jul-2009 | 26       | Modified: <a href="#">Table 24 on page 42</a> .   |
| 03-Feb-2010 | 27       | Modified <a href="#">Table 9 on page 15</a> .   |
| 22-Mar-2010 | 28       | Added: <a href="#">Table 16 on page 22</a> , <a href="#">Figure 13 on page 23</a> , <a href="#">Figure 14 on page 24</a> , <a href="#">Figure 17</a> and <a href="#">Figure 18 on page 33</a> .   |
| 15-Nov-2010 | 29       | Modified: $R_{thJC}$ value for TO-220 <a href="#">Table 2 on page 7</a> .   |
| 30-Nov-2011 | 30       | Added: order code LD1117V33-DG <a href="#">Table 24 on page 42</a> .  |
| 13-Feb-2012 | 31       | Added: order codes LD1117V50-DG and LD1117V-DG <a href="#">Table 24 on page 42</a> .  |
| 19-Oct-2012 | 32       | Added: $R_{thJA}$ value for DPAK, SOT-223 and SO-8 <a href="#">Table 2 on page 7</a> .  |
| 20-Nov-2013 | 33       | Part number LD1117xx changed to LD1117.<br>Updated the Description in cover page, <a href="#">Section 8: Package mechanical data</a> and <a href="#">Table 24: Order codes</a> .<br>Cancelled Table 1: Device summary.<br>Added <a href="#">Section 9: Packaging mechanical data</a> .<br>Minor text changes. |

**Please Read Carefully:**

Information in this document is provided solely in connection with ST products. STMicroelectronics NV and its subsidiaries ("ST") reserve the right to make changes, corrections, modifications or improvements, to this document, and the products and services described herein at any time, without notice.

All ST products are sold pursuant to ST's terms and conditions of sale.

Purchasers are solely responsible for the choice, selection and use of the ST products and services described herein, and ST assumes no liability whatsoever relating to the choice, selection or use of the ST products and services described herein.

No license, express or implied, by estoppel or otherwise, to any intellectual property rights is granted under this document. If any part of this document refers to any third party products or services it shall not be deemed a license grant by ST for the use of such third party products or services, or any intellectual property contained therein or considered as a warranty covering the use in any manner whatsoever of such third party products or services or any intellectual property contained therein.

**UNLESS OTHERWISE SET FORTH IN ST'S TERMS AND CONDITIONS OF SALE ST DISCLAIMS ANY EXPRESS OR IMPLIED WARRANTY WITH RESPECT TO THE USE AND/OR SALE OF ST PRODUCTS INCLUDING WITHOUT LIMITATION IMPLIED WARRANTIES OF MERCHANTABILITY, FITNESS FOR A PARTICULAR PURPOSE (AND THEIR EQUIVALENTS UNDER THE LAWS OF ANY JURISDICTION), OR INFRINGEMENT OF ANY PATENT, COPYRIGHT OR OTHER INTELLECTUAL PROPERTY RIGHT.**

**ST PRODUCTS ARE NOT DESIGNED OR AUTHORIZED FOR USE IN: (A) SAFETY CRITICAL APPLICATIONS SUCH AS LIFE SUPPORTING, ACTIVE IMPLANTED DEVICES OR SYSTEMS WITH PRODUCT FUNCTIONAL SAFETY REQUIREMENTS; (B) AERONAUTIC APPLICATIONS; (C) AUTOMOTIVE APPLICATIONS OR ENVIRONMENTS, AND/OR (D) AEROSPACE APPLICATIONS OR ENVIRONMENTS. WHERE ST PRODUCTS ARE NOT DESIGNED FOR SUCH USE, THE PURCHASER SHALL USE PRODUCTS AT PURCHASER'S SOLE RISK, EVEN IF ST HAS BEEN INFORMED IN WRITING OF SUCH USAGE, UNLESS A PRODUCT IS EXPRESSLY DESIGNATED BY ST AS BEING INTENDED FOR "AUTOMOTIVE, AUTOMOTIVE SAFETY OR MEDICAL" INDUSTRY DOMAINS ACCORDING TO ST PRODUCT DESIGN SPECIFICATIONS. PRODUCTS FORMALLY ESCC, QML OR JAN QUALIFIED ARE DEEMED SUITABLE FOR USE IN AEROSPACE BY THE CORRESPONDING GOVERNMENTAL AGENCY.**

Resale of ST products with provisions different from the statements and/or technical features set forth in this document shall immediately void any warranty granted by ST for the ST product or service described herein and shall not create or extend in any manner whatsoever, any liability of ST.

ST and the ST logo are trademarks or registered trademarks of ST in various countries.

Information in this document supersedes and replaces all information previously supplied.

The ST logo is a registered trademark of STMicroelectronics. All other names are the property of their respective owners.

© 2013 STMicroelectronics - All rights reserved

STMicroelectronics group of companies

Australia - Belgium - Brazil - Canada - China - Czech Republic - Finland - France - Germany - Hong Kong - India - Israel - Italy - Japan - Malaysia - Malta - Morocco - Philippines - Singapore - Spain - Sweden - Switzerland - United Kingdom - United States of America

[www.st.com](http://www.st.com)

## X-ON Electronics

Largest Supplier of Electrical and Electronic Components

*Click to view similar products for [LDO Voltage Regulators](#) category:*

*Click to view products by [STMicroelectronics](#) manufacturer:*

Other Similar products are found below :

[M38D29FFHP#U1](#) [702103A](#) [717726C](#) [742457H](#) [MP20051DN-LF-Z](#) [R5F111PGGFB#30](#) [AP7363-SP-13](#) [NCP103AMX285TCG](#)  
[NCV8664CST33T3G](#) [NCV8752AMX28TCG](#) [L9454](#) [AP7362-HA-7](#) [LX13043CLD](#) [TCR3DF185,LM\(CT](#) [TCR3DF24,LM\(CT](#)  
[TCR3DF285,LM\(CT](#) [TCR3DF31,LM\(CT](#) [TCR3DF45,LM\(CT](#) [TLF4949EJ](#) [MP2013GQ-33-Z](#) [L9708](#) [L970813TR](#) [030014BB](#) [059985X](#)  
[NCP121AMX173TCG](#) [NCP4687DH15T1G](#) [701326R](#) [702087BB](#) [755078E](#) [TCR2EN28,LF\(S](#) [LM1117DT-1.8/NO](#) [LT1086CM#TRPBF](#)  
[AZ1085S2-1.5TRE1](#) [MAX15101EWL+T](#) [NCV8170AXV250T2G](#) [TCR3DF27,LM\(CT](#) [TCR3DF19,LM\(CT](#) [TCR3DF125,LM\(CT](#)  
[TCR2EN18,LF\(S](#) [MAX15103EWL+T](#) [TS2937CZ-5.0 C0](#) [MAX8878EUK30-T](#) [MAX663CPA](#) [NCV4269CPD50R2G](#) [NCV8716MT30TBG](#)  
[AZ1117IH-1.2TRG1](#) [MP2013GQ-P](#) [AP2112R5A-3.3TRG1](#) [AP7315-25W5-7](#) [MAX15102EWL+T](#)