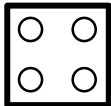


## 128-Kbit serial I<sup>2</sup>C bus EEPROM with configurable device address and software write protection, delivered in 4-ball CSP



WLCSP  
(CU)

### Features

- Compatible with the 400 kHz I<sup>2</sup>C protocol
- High speed 1 MHz transfer rate
- Memory array:
  - 128 Kbit (16 Kbyte) of EEPROM
  - Page size: 32 byte
- Supply voltage range:
  - 1.7 V to 5.5 V over –40 °C / +85 °C
  - 1.6 V to 5.5 V over 0 °C / +85 °C
- Write
  - Byte write within 5 ms
  - Page write within 5 ms
- Random and sequential read modes
- Configurable device address
- Software write protection
- ESD protection
  - Human body model: 4 kV
- Enhanced ESD / Latch-Up protection
- More than 4 million write cycles
- More than 200-year data retention
- Package
  - RoHS and halogen free (ECOPACK2)

Product status link

[M24128X-FCU](#)

# 1 Description

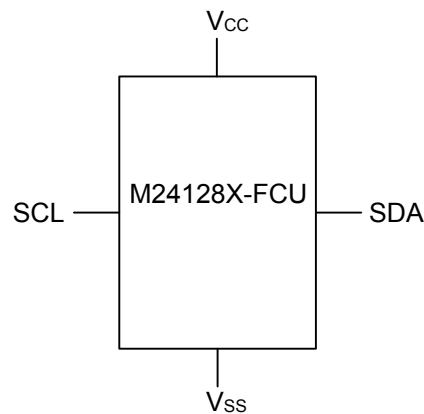
This EEPROM device supports standard I<sup>2</sup>C instruction set.

The **M24128X-FCU** is a 128-Kbit I<sup>2</sup>C-compatible EEPROM (electrically erasable PROgrammable memory) organized as 16 K × 8 bits and delivered in a 4-ball WLCSP package.

The **M24128X-FCU** can operate with a supply voltage of 1.7 V to 5 V, over an ambient temperature range of -40 °C/+85 °C. It can also operate down to 1.6 V, under some restricting conditions

The **M24128X-FCU** additionally offers an 8-bit chip enable register for the configurable device address (CDA), to configure by software up to eight possibilities of chip enable address, and the memory write protection, enabled by setting, always through software, the write protection bit.

**Figure 1. Logic diagram**



**Table 1. Signal names**

Signal name	Function	Direction
SDA	Serial Data	I/O
SCL	Serial Clock	Input
V <sub>CC</sub>	Supply voltage	-
V <sub>SS</sub>	Ground	-

Figure 2. 4-bump WLCSP connections

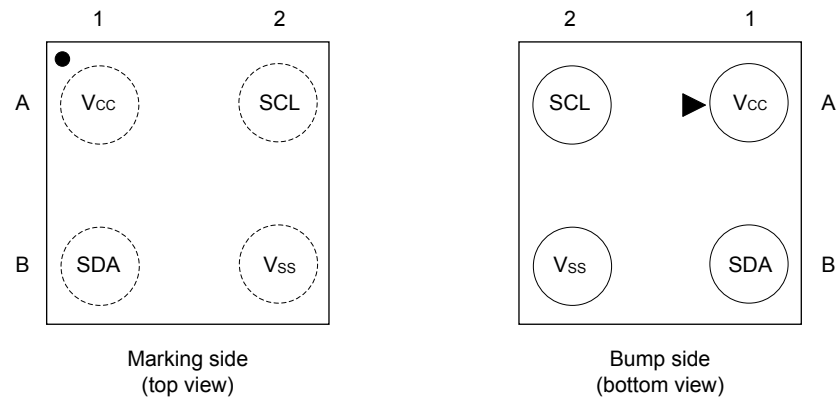


Table 2. Signals vs. bump position

Position	A	B
1	V <sub>CC</sub>	SDA
2	SCL	V <sub>SS</sub>

## 2 Signal description

### 2.1 Serial Clock (SCL)

SCL is an input. The signal applied on the SCL input is used to strobe the data available on SDA(in) and to output the data on SDA(out).

### 2.2 Serial Data (SDA)

SDA is an input/output used to transfer data in or data out of the device. SDA(out) is an open drain output that may be wire-OR with other open drain or open collector signals on the bus. A pull-up resistor must be connected from Serial Data (SDA) to  $V_{CC}$  (Figure 12 indicates how to calculate the value of the pull-up resistor).

### 2.3 $V_{SS}$ (ground)

$V_{SS}$  is the reference for the  $V_{CC}$  supply voltage.

### 2.4 Supply voltage ( $V_{CC}$ )

#### 2.4.1 Operating supply voltage ( $V_{CC}$ )

Prior to selecting the memory and issuing instructions to it, a valid and stable  $V_{CC}$  voltage within the specified [ $V_{CC}(\min)$ ,  $V_{CC}(\max)$ ] range must be applied (see Operating conditions in Section 9 DC and AC parameters). In order to secure a stable DC supply voltage, it is recommended to decouple the  $V_{CC}$  line with a suitable capacitor (usually from 10 to 100 nF) close to the  $V_{CC}$  /  $V_{SS}$  package pins.

This voltage must remain stable and valid until the end of the transmission of the instruction and, for a write instruction, until the completion of the internal write cycle ( $t_W$ ).

#### 2.4.2 Power-up conditions

The  $V_{CC}$  voltage has to rise continuously from 0 V up to the minimum  $V_{CC}$  operating voltage (see Table 9 in Section 9 DC and AC parameters).

#### 2.4.3 Device reset

In order to prevent inadvertent write operations during power-up, a power-on-reset (POR) circuit is included. At power-up, the device does not respond to any instruction until  $V_{CC}$  has reached the internal reset threshold voltage. This threshold is lower than the minimum  $V_{CC}$  operating voltage (see Operating conditions in Section 9 DC and AC parameters). When  $V_{CC}$  passes over the POR threshold, the device is reset and enters the Standby Power mode; however, the device must not be accessed until  $V_{CC}$  reaches a valid and stable DC voltage within the specified [ $V_{CC}(\min)$ ,  $V_{CC}(\max)$ ] range (see Operating conditions in Section 9 DC and AC parameters). In a similar way, during power-down (continuous decrease in  $V_{CC}$ ), the device must not be accessed when  $V_{CC}$  drops below  $V_{CC}(\min)$ . When  $V_{CC}$  drops below the power-on-reset threshold voltage, the device stops responding to any instruction sent to it.

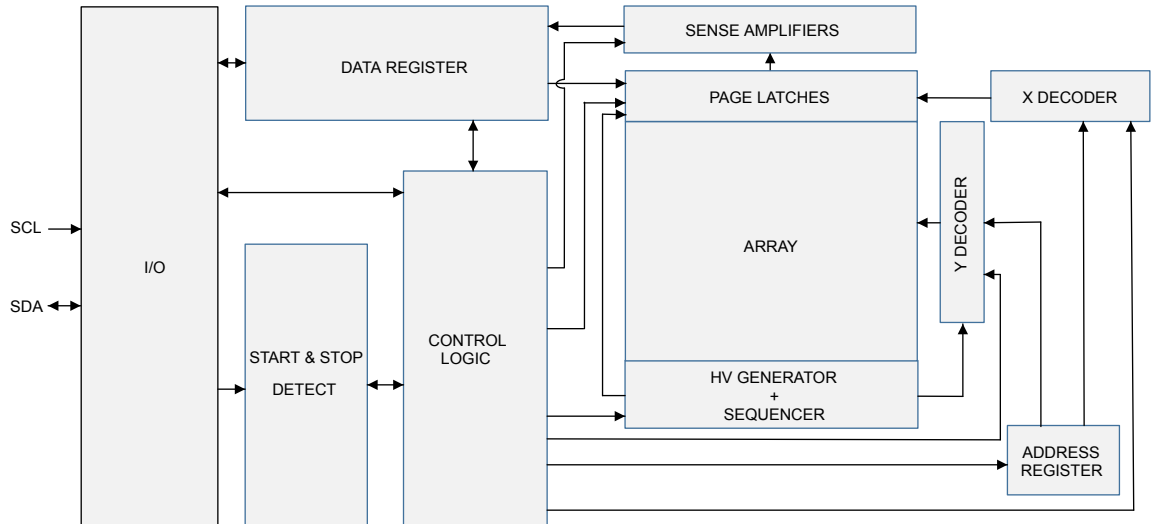
#### 2.4.4 Power-down conditions

During power-down (continuous decrease in  $V_{CC}$ ), the device must be in the Standby Power mode (mode reached after decoding a Stop condition, assuming that there is no internal write cycle in progress).

### 3 Memory organization

The memory is organized as shown below.

Figure 3. Block diagram



## 4 Features

### 4.1 Chip enable register

As the M24128X is delivered in 4-ball WLCSP without chip enable inputs, the device provides a non-volatile 8-bit register allowing the user to define a configurable device address (CDA) and a software write protection. This register can be written and read with the device type identifier (1010b) and with a specific address. The description of the chip enable register is given [Table 3](#).

**Table 3. Chip enable register values**

bit 7	bit 6	bit 5	bit 4	bit 3	bit 2	bit 1	bit 0
x <sup>(1)</sup>	x <sup>(1)</sup>	x <sup>(1)</sup>	x <sup>(1)</sup>	C2	C1	C0	b0
				Configurable device address bit	Configurable device address bit	Configurable device address bit	SWP: Write protection activation bit

1. x = Don't care bits. Factory delivery of the register is X0b

Bit 7:4 Don't care bits

Bits 3:1 Chip enable address configuration:

- (b3,b2,b1) = (0,0,0): the chip enable address is 000 (factory delivery value)
- (b3,b2,b1) = (0,0,1): the chip enable address is 001
- (b3,b2,b1) = (0,1,0): the chip enable address is 010
- (b3,b2,b1) = (1,0,0): the chip enable address is 100
- (b3,b2,b1) = (1,1,0): the chip enable address is 110
- (b3,b2,b1) = (1,1,1): the chip enable address is 111
- (b3,b2,b1) = (0,1,1): the chip enable address is 011
- (b3,b2,b1) = (1,0,1): the chip enable address is 101

Bit 0 Enables or disables the write protection of the memory array:

- b0 = 0: the whole memory array can be written and read (factory delivery value)
- b0 = 1: the whole memory array is write protected and is in read-only mode

### 4.2 Configurable device address

C2, C1 and C0 are defining the chip enable address in the Device Select Code. These bits can be written and re-configured with a Write command.

Factory delivery value is 000b.

At power up or after reprogramming, the device will load the last configuration of C2, C1 and C0 values.

### 4.3 Software write protect

In order to prevent unwanted write sequence, the M24128X offers the SWP feature, which makes it possible to protect the whole memory content. write operations are disabled (read-only memory) when the SWP is set to 1 (SWP=1b). In the same way, the write operations are enabled when the SWP is set to 0 (SWP=0b).

Factory default values is 0b.

At power up, the device will load the last configuration of the SWP value.

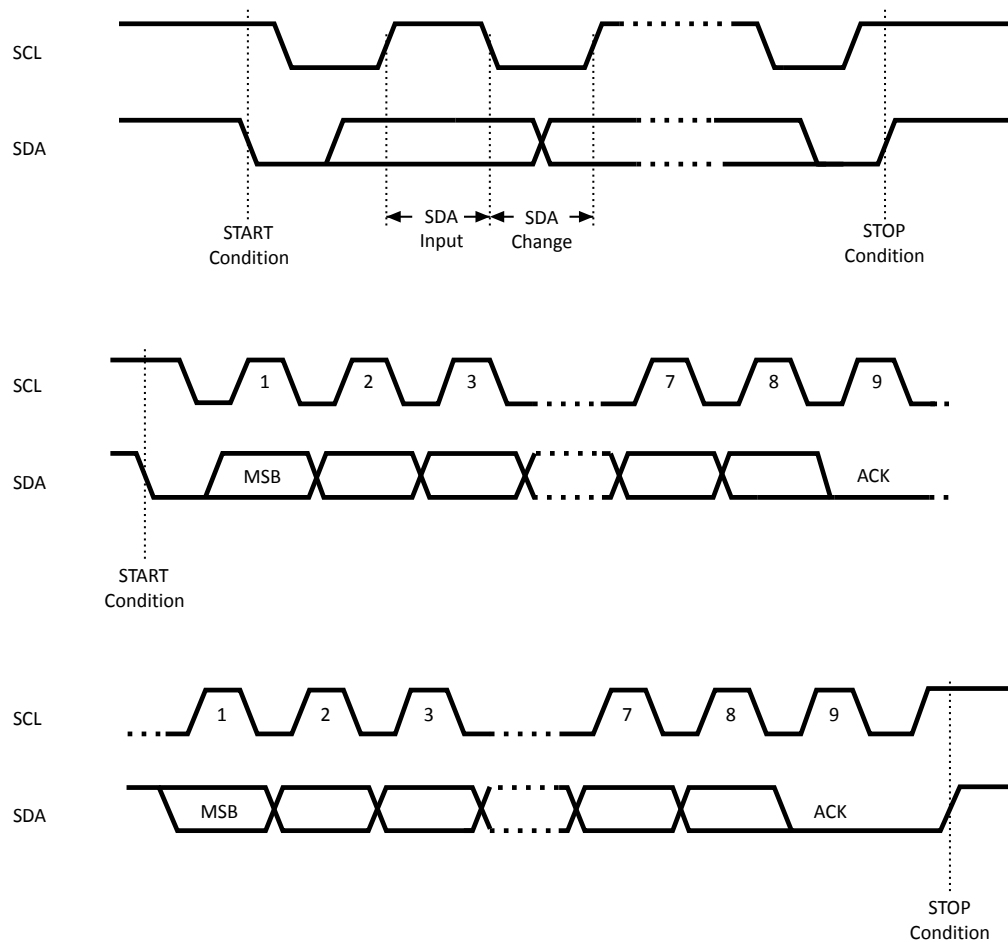
Updating the SWP to a new value is a reversible action: the SWP bit can be updated from 0 to 1 and from 1 to 0.

When SWP is set to '1', device select and address bytes are acknowledged, data bytes are not acknowledged.

## 5 Device operation

The device supports the I<sup>2</sup>C protocol. This is summarized in Figure 4. Any device that sends data on to the bus is defined to be a transmitter, and any device that reads the data is defined to be a receiver. The device that controls the data transfer is known as the bus master, and the other as the slave device. A data transfer can only be initiated by the bus master, which will also provide the serial clock for synchronization. The device is always a slave in all communications.

Figure 4. I<sup>2</sup>C bus protocol



## 5.1 Start condition

Start is identified by a falling edge of Serial Data (SDA) while Serial Clock (SCL) is stable in the high state. A Start condition must precede any data transfer instruction. The device continuously monitors (except during a Write cycle) Serial Data (SDA) and Serial Clock (SCL) for a Start condition.

## 5.2 Stop condition

Stop is identified by a rising edge of Serial Data (SDA) while Serial Clock (SCL) is stable and driven high. A Stop condition terminates communication between the device and the bus master. A Read instruction that is followed by NoAck can be followed by a Stop condition to force the device into the Standby mode.

A Stop condition at the end of a Write instruction triggers the internal Write cycle.

## 5.3 Data input

During data input, the device samples Serial Data (SDA) on the rising edge of Serial Clock (SCL). For correct device operation, Serial Data (SDA) must be stable during the rising edge of Serial Clock (SCL), and the Serial Data (SDA) signal must change only when Serial Clock (SCL) is driven low.

## 5.4 Acknowledge bit (ACK)

The acknowledge bit is used to indicate a successful byte transfer. The bus transmitter, whether it be bus master or slave device, releases Serial Data (SDA) after sending eight bits of data. During the 9<sup>th</sup> clock pulse period, the receiver pulls Serial Data (SDA) low to acknowledge the receipt of the eight data bits.

## 5.5 Device addressing

To start communication between the bus master and the slave device, the bus master must initiate a start condition. Following this, the bus master sends the device select code, shown in Table 4 on serial data (SDA), most significant bit first.

**Table 4. Device select code**

Device type identifier <sup>(1)</sup>				Chip enable address <sup>(2)</sup>			RW
b7	b6	b5	b4	b3	b2	b1	b0
1	0	1	0	C2	C1	C0	RW

1. The most significant bit, b7, is sent first.

2. b3, b2 and b1 are compared with the C2, C1 and C0 values programmed in the chip enable register.

When the device select code is received, the device responds only if the b3, b2 and b1 values match the values of the C2, C1 and C0 bits programmed in the chip enable register.

If a match occurs, the corresponding device gives an acknowledgment on serial data (SDA) during the 9<sup>th</sup> bit time.

If the device does not acknowledge the device select code, the device de-selects itself from the bus, and goes into standby mode (therefore will not acknowledge the device select code).

The 8<sup>th</sup> bit is the Read/Write bit (RW). This bit is set to 1 for Read and 0 for Write operations.



## 6 Instructions

### 6.1 Write operations on memory array

Following a start condition the bus master sends a device select code with the R/W bit (RW) reset to 0. The device acknowledges this, as shown in [Figure 5](#), and waits for two address bytes. The device responds to each address byte with an acknowledge bit, and then waits for the data byte.

**Table 5. Most significant address byte**

A15	A14	A13	A12	A11	A10	A9	A8
-----	-----	-----	-----	-----	-----	----	----

**Table 6. Least significant address byte**

A7	A6	A5	A4	A3	A2	A1	A0
----	----	----	----	----	----	----	----

When the bus master generates a stop condition immediately after a data byte ACK bit (in the “10<sup>th</sup> bit” time slot), either at the end of a byte write or a page write, the internal write cycle  $t_W$  is triggered. A stop condition at any other time slot does not trigger the internal write cycle.

After the stop condition and the successful completion of an internal write cycle ( $t_W$ ), the device internal address counter is automatically incremented to point to the next byte after the last modified byte.

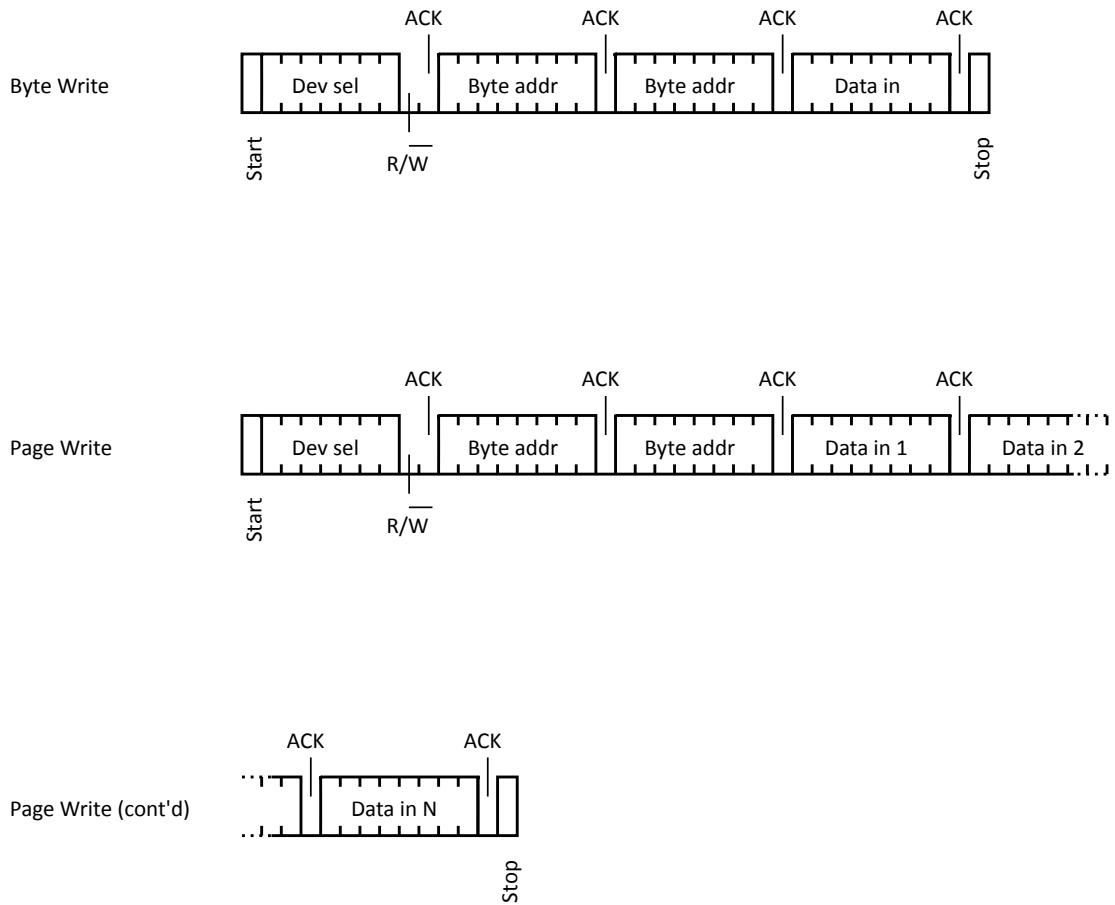
During the internal write cycle, serial data (SDA) is disabled internally, and the device does not respond to any requests.

If the software write protection is enabled with the SWP bit set to '1', the write instruction is not executed and the accompanying data bytes are not acknowledged, as shown in [Figure 5](#).

### 6.1.1 Byte write

After the device select code and the address bytes, the bus master sends one data byte. If the addressed location is write-protected, with the SWP bit set to '1', the device replies with NoACK, and the location is not modified, as shown in Figure 6. If, instead, the addressed location is not Write-protected, the device replies with ACK. The bus master terminates the transfer by generating a stop condition, as shown in Figure 5.

Figure 5. Write mode sequence SWP bit = 0 (data write enabled)



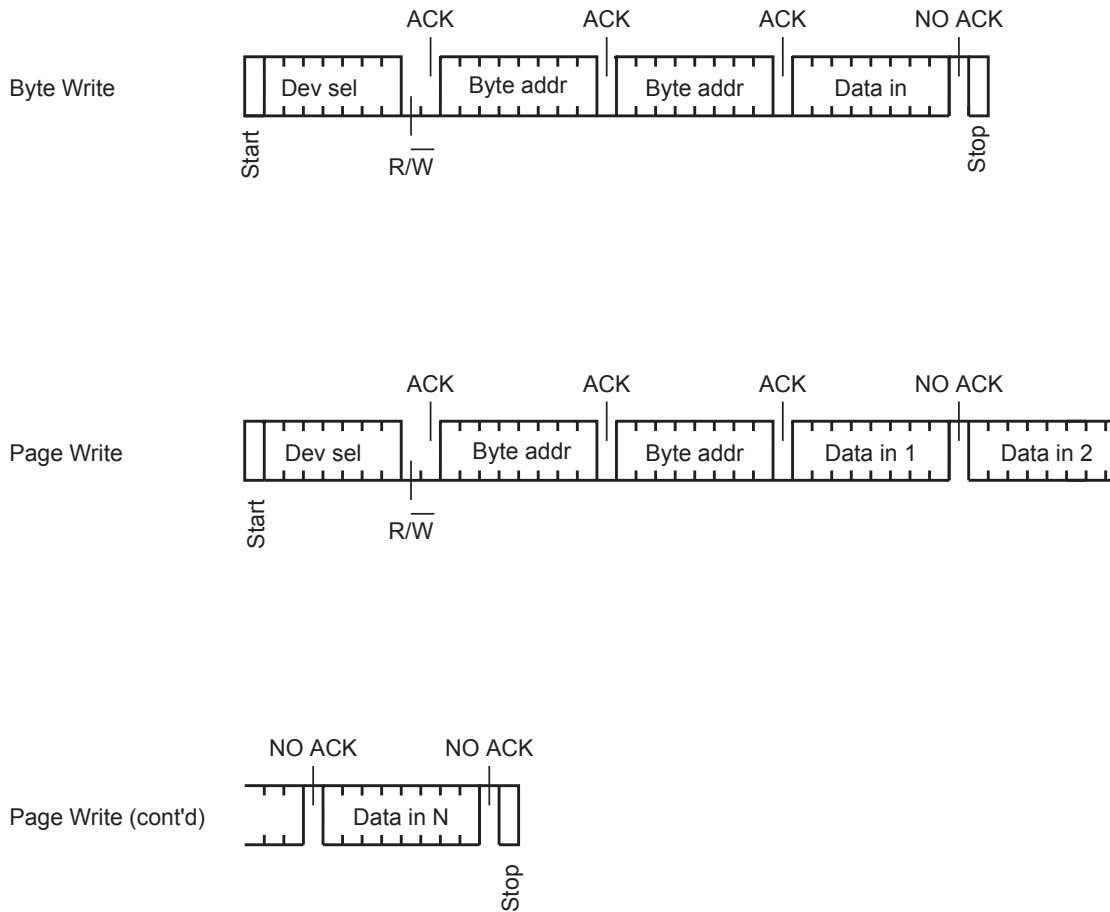
### 6.1.2 Page write

The page write mode allows up to 32 bytes to be written in a single write cycle, provided they are all located in the same page in the memory: that is, the most significant memory address bits, A15/A5, are the same. If more bytes than those that will fit up to the end of the page are sent, a “roll-over” occurs, i.e. the bytes exceeding the page end are written on the same page, from location 0.

The bus master sends from 1 to 32 bytes of data, each one is acknowledged by the device if the software write protection is disabled with the SWP bit set to '0'. If the software write protection is enabled with the SWP bit set to '1', the contents of the addressed memory location are not modified, and each data byte is followed by a NoACK, as shown in Figure 6. After each transferred byte, the internal page address counter is incremented.

The transfer is terminated by the bus master generating a stop condition.

Figure 6. Write mode sequence with SWP bit = 1 (data write inhibited)



### 6.1.3 Minimizing write delays by polling on ACK

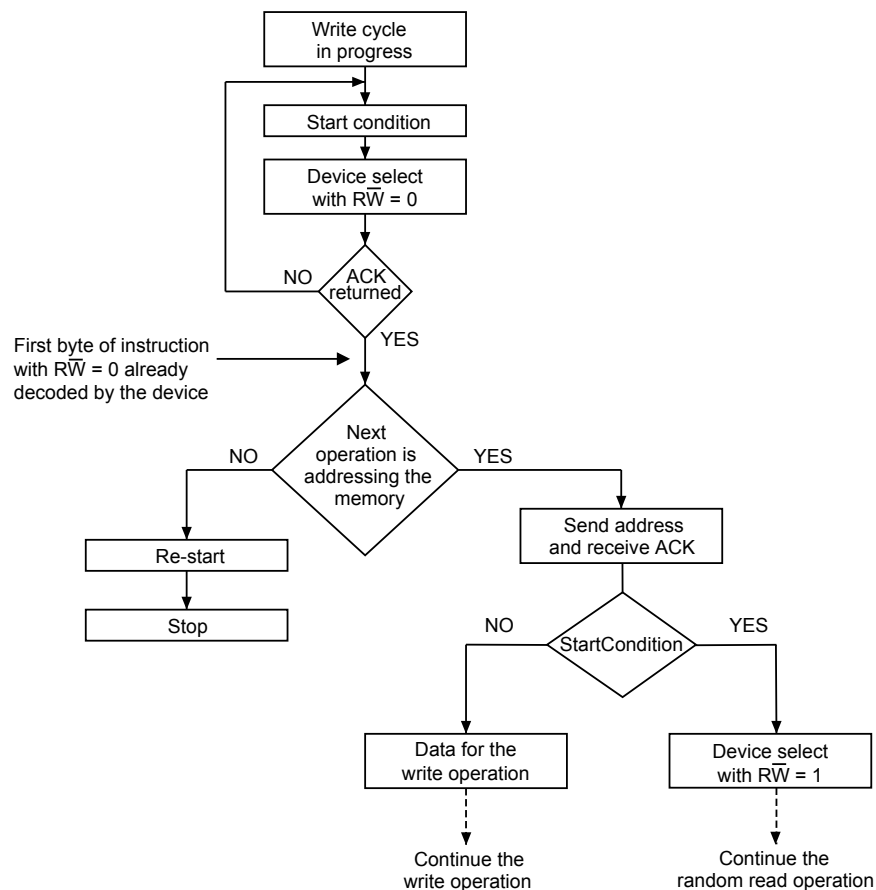
During the internal write cycle, the device disconnects itself from the bus, and writes a copy of the data from its internal latches to the memory cells. The maximum write time ( $t_w$ ) is shown in AC characteristics tables in [Section 9 DC and AC parameters](#), but the typical time is shorter. To make use of this, a polling sequence can be used by the bus master.

The sequence, as shown in [Figure 7](#), is:

- Initial condition: a write cycle is in progress.
- Step 1: the bus master issues a start condition followed by a device select code (the first byte of the new instruction).
- Step 2: if the device is busy with the internal write cycle, no ACK will be returned and the bus master goes back to step 1. If the device has terminated the internal write cycle, it responds with an ACK, indicating that the device is ready to receive the second part of the instruction (the first byte of this instruction having been sent during step 1).

*Note:* In case of write to chip enable register when C2, C1 and C0 are re-configured, the device will return ACK only if:  
 - chip enable address of the device select code is equal to the new C2, C1 and C0 values  
 - an internal write cycle is completed (new C2, C1 and C0 values have been programmed in the chip enable register).

**Figure 7. Write cycle polling flowchart using ACK**



1. The seven most significant bits of the device select code of a random read (bottom right box in the figure) must be identical to the seven most significant bits of the device select code of the write (polling instruction in the figure).

## 6.2 Write operations on chip enable register

Write operations on chip enable register are performed independently of the state software write protect bit (SWP).

Following a start condition the bus master sends a device select code with the R/W bit (RW) set to 0. The device acknowledges this, as shown in Figure 8, and waits for the address bytes where the register is located. The device responds to each address byte with an acknowledge bit, and then waits for the data byte.

In order to write the chip enable register, address bytes must have A15 bit set to 1, all other bits A14 to A0 being don't care.

**Table 7. Address of the chip enable register**

A15 <sup>(1)</sup>	A14	A13	A12	A11	A10	A9	A8	A7	A6	A5	A4	A3	A2	A1	A0
1	X <sup>(2)</sup>	X	X	X	X	X	X	X	X	X	X	X	X	X	X

1. MSB A15 is sent first.
2. X means Don't Care bits.

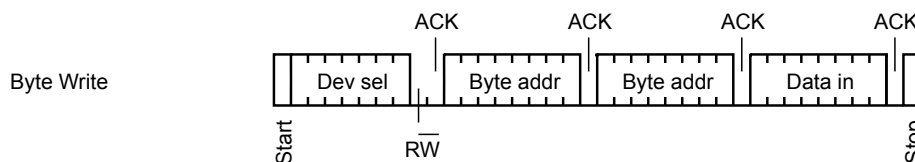
When the bus master generates a stop condition immediately after the data byte ACK bit (in the "10<sup>th</sup> bit" time slot), the internal write cycle  $t_{W}$  is triggered. A stop condition at any other time slot does not trigger the internal write cycle.

During the internal write cycle, serial data (SDA) is disabled internally, and the device does not respond to any requests (NoACK).

If the three bits C2, C1 and C0 have been re-configured with a correct write command, the device will acknowledge if the chip enable address of the device select code is equal to the new values of C2, C1 and C0, otherwise NoACK.

Sending more than one byte will abort the write cycle (chip enable register content will not be changed).

**Figure 8. Write on chip enable register**



MSv45963V1

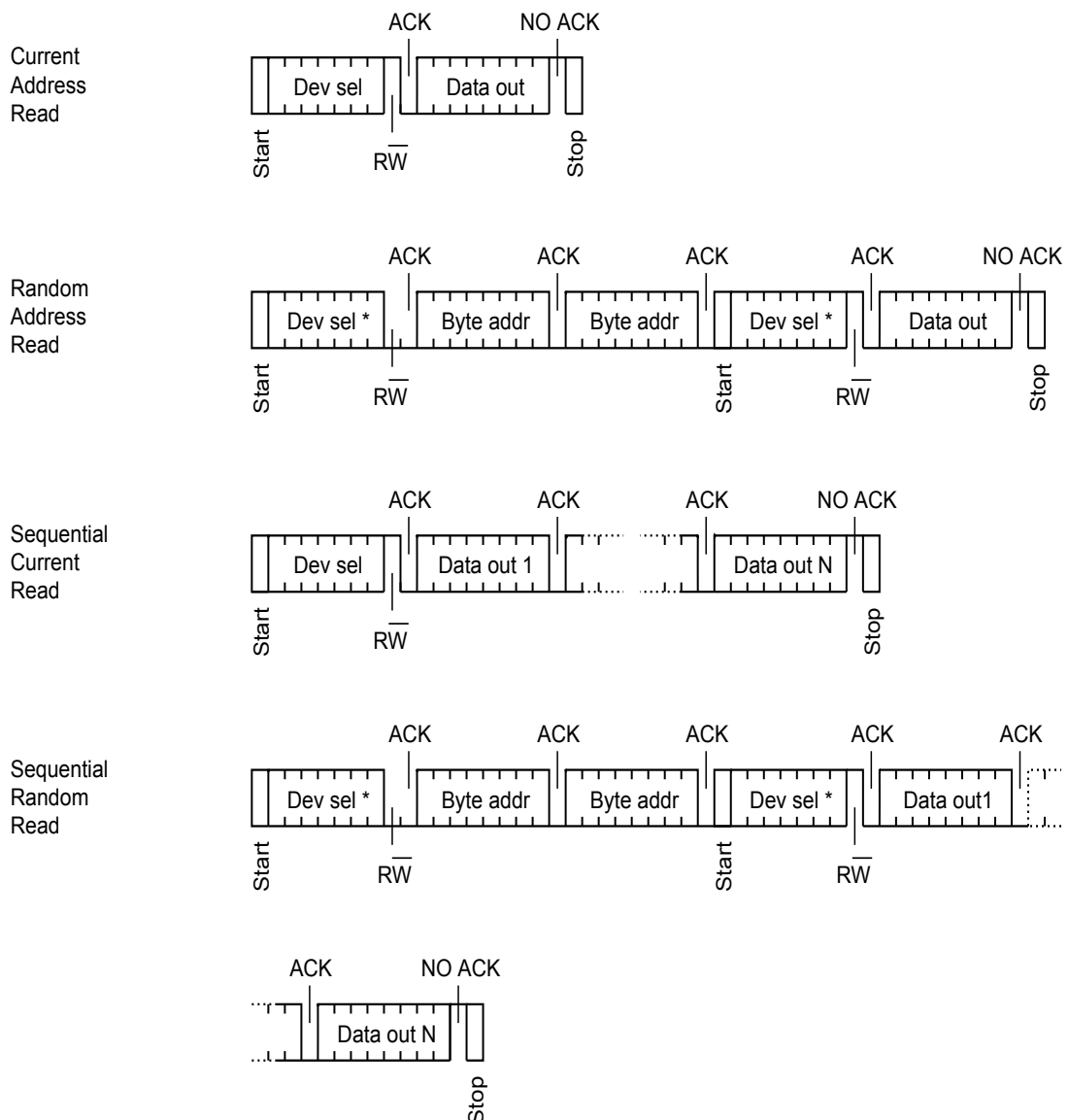
### 6.3 Read operations on memory array

Read operations are performed independently of the state of the software write protect bit (SWP).

After the successful completion of a read operation, the device internal address counter is incremented by one, to point to the next byte address.

For the read instructions, after each byte read (data out), the device waits for an acknowledgement (data in) during the 9<sup>th</sup> bit time. If the bus master does not acknowledge during this 9<sup>th</sup> time, the device terminates the data transfer and switches to its Standby mode.

Figure 9. Read mode sequences



### 6.3.1 Random address read

A dummy write is first performed to load the address into this address counter (as shown in [Figure 8](#)) but without sending a stop condition. Then, the bus master sends another start condition, and repeats the device select code, with the RW bit set to 1. The device acknowledges this, and outputs the contents of the addressed byte. The bus master must not acknowledge the byte, and terminates the transfer with a stop condition.

### 6.3.2 Current address read

For the current address read operation, following a start condition, the bus master only sends a device select code with the R/W bit set to 1. The device acknowledges this, and outputs the byte addressed by the internal address counter. The counter is then incremented. The bus master terminates the transfer with a stop condition, as shown in [Figure 8](#), without acknowledging the byte.

Note that the address counter value is defined by instructions accessing either the memory or the identification page. When accessing the identification page, the address counter value is loaded with the identification page byte location, therefore the next current address read in the memory uses this new address counter value. When accessing the memory, it is safer to use the random address read instruction (this instruction loads the address counter with the byte location to read in the memory) instead of the current address read instruction.

### 6.3.3 Sequential read

This operation can be used after a Current Address Read or a Random Address Read. The bus master does not acknowledge the data byte output, and sends additional clock pulses so that the device continues to output the next byte in sequence. To terminate the stream of bytes, the bus master must not acknowledge the last byte, and must generate a Stop condition, as shown in [Figure 9](#).

The output data comes from consecutive addresses, with the internal address counter automatically incremented after each byte output. After the last memory address, the address counter “rolls-over”, and the device continues to output data from memory address 00h.

## 6.4 Read operations on chip enable register

Read operations are performed independently of the state software write protect bit (SWP).

Following a start condition the bus master sends a device select code with the R/W bit (RW) set to 0. The device acknowledges this and waits for the address bytes where the register is located. The device responds to each address byte with an acknowledge. Then, the bus master sends another start condition, and repeats the device select code with the RW bit set to 1. The device acknowledges this, and outputs the contents of the chip enable register.

To terminate the stream of data byte, the bus master must not acknowledge the byte, and must generate a stop condition, as shown in [Figure 10](#).

After the successful completion of a random address read operation, the device internal address counter is not incremented by one, to point to the next byte address. Reading more than one byte will loop on reading the chip enable register value.

Reading the chip enable register is performed with a random read instruction at address 1xxx.xxxx.xxxx.xxxx<sub>b</sub>:

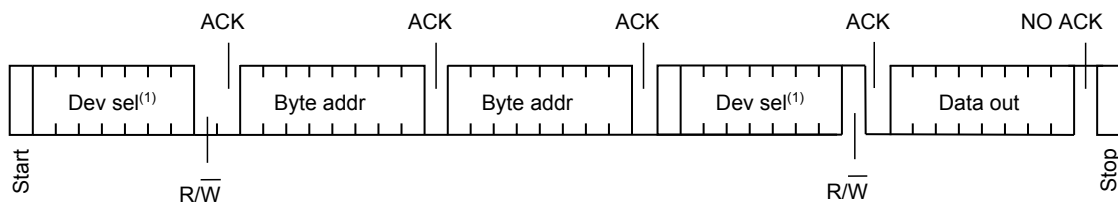
- Bits b7, b6, b5, b4 of the chip enable register content are read as 0, 0, 0, 0.
- The configurable device address bits b3, b2, b1 are described in [Section 4.1 Chip enable register](#).
- The software write protection bit b0 is defined in [Section 4.1 Chip enable register](#).

The chip enable register cannot be read while a write cycle ( $t_w$ ) is ongoing.

The chip enable address value can be checked by sending the device select code.

- If the chip enable address b3, b2, b1 sent in the device select code is matching with the C2, C1 and C0 values, device will send an acknowledge.
- Otherwise, device will answer NoACK.

**Figure 10. Read on chip enable register**



1. The seven most significant bits of the device select code of a random read (in the first and fourth bytes) must be identical.



## 7 Initial delivery state

---

The device is delivered with all the memory array bits set to 1 (each byte contains FFh).  
The chip enable register is set to 0 (00h).

## 8 Maximum ratings

Stressing the device outside the ratings listed in [Table 8](#) may cause permanent damage to the device. These are stress ratings only, and operation of the device at these, or any other conditions outside those indicated in the operating sections of this specification, is not implied. Exposure to absolute maximum rating conditions for extended periods may affect device reliability.

**Table 8. Absolute maximum ratings**

Symbol	Parameter	Min.	Max.	Unit
-	Ambient operating temperature	-40	130	°C
T <sub>STG</sub>	Storage temperature	-65	150	°C
T <sub>LEAD</sub>	Lead temperature during soldering	see note <sup>(1)</sup>		°C
I <sub>OL</sub>	DC output current (SDA = 0)	-	5	mA
V <sub>IO</sub>	Input or output range	-0.50	6.5	V
V <sub>CC</sub>	Supply voltage	-0.50	6.5	V
V <sub>ESD</sub>	Electrostatic pulse (human body model) <sup>(2)</sup>	-	4000	V

1. Compliant with JEDEC standard J-STD-020D (for small-body, Sn-Pb or Pb free assembly), the ST ECOPACK 7191395 specification, and the European directive on Restrictions on Hazardous Substances (RoHS directive 2011/65/EU of July 2011).
2. Positive and negative pulses applied on different combinations of pin connections, according to AECQ100-002 (compliant with ANSI/ESDA/JEDEC JS-001-2012, C1=100 pF, R1=1500 Ω).

## 9 DC and AC parameters

This section summarizes the operating and measurement conditions, and the DC and AC characteristics of the device.

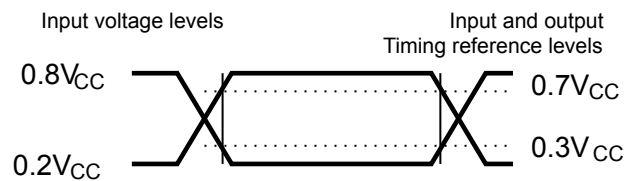
**Table 9. Operating conditions**

Symbol	Parameter	Min.		Max.	Unit
$V_{CC}$	Supply voltage	1.6	1.7	5.5	V
$T_A$	Ambient operating temperature: Read	-40	-40	85	°C
	Ambient operating temperature: Write	0	-40		
$f_C$	Operating clock frequency $V_{CC} = 1.6$ V	-		400	kHz
	Operating clock frequency $V_{CC} \geq 1.7$ V	-		1000	

**Table 10. AC measurement conditions**

Symbol	Parameter	Min.	Max.	Unit
$C_{bus}$	Load capacitance	-	100	pF
-	SCL input rise/fall time, SDA input fall time	-	50	ns
-	Input levels	0.2 $V_{CC}$ to 0.8 $V_{CC}$		V
-	Input and output timing reference levels	0.3 $V_{CC}$ to 0.7 $V_{CC}$		V

**Figure 11. AC measurement I/O waveform**



**Table 11. Input parameters**

Symbol	Parameter <sup>(1)</sup>	Test condition	Min.	Max.	Unit
$C_{IN}$	Input capacitance (SDA)	-	-	8	pF
$C_{IN}$	Input capacitance (other pins)	-	-	6	pF

1. Characterized only, not tested in production.

**Table 12. Cycling performance**

Symbol	Parameter	Test condition	Max.	Unit
Ncycle	Write cycle endurance <sup>(1)</sup>	$T_A \leq 25\text{ }^\circ\text{C}$ , $V_{CC(\text{min})} < V_{CC} < V_{CC(\text{max})}$	4,000,000	Write cycles <sup>(2)</sup>
		$T_A = 85\text{ }^\circ\text{C}$ , $V_{CC(\text{min})} < V_{CC} < V_{CC(\text{max})}$	1.200.000	

1. The Write cycle endurance is defined by characterization and qualification.
2. A Write cycle is executed when either a page write, or a byte write or a write chip enable register instruction is decoded.

**Table 13. Memory cell data retention**

Parameter	Test condition	Min.	Unit
Data retention <sup>(1)</sup>	$T_A = 55\text{ }^\circ\text{C}$	200	Year
Cycling	$T_A = 25\text{ }^\circ\text{C}$	4 million	Cycle

1. The data retention behaviour is checked in production, while the data retention limit defined in this table is extracted from characterization and qualification results.

**Table 14. DC characteristics**

Symbol	Parameter	Test conditions (in addition to those in Table 9)	Min.	Max.	Unit
$I_{LI}$	Input leakage current (SCL, SDA)	$V_{IN} = V_{SS}$ or $V_{CC}$ device in Standby mode	-	$\pm 2$	$\mu\text{A}$
$I_{LO}$	Output leakage current	SDA in Hi-Z, external voltage applied on SDA: $V_{SS}$ or $V_{CC}$	-	$\pm 2$	$\mu\text{A}$
$I_{CC}$	Supply current (Read)	$V_{CC} < 1.7\text{ V}$ , $f_C = 400\text{ kHz}$	-	0.8	mA
		$V_{CC} \geq 1.7\text{ V}$ , $f_C = 400\text{ kHz}$	-	2	
		$V_{CC} \geq 1.7\text{ V}$ , $f_C = 1\text{ MHz}$	-	2.5	
$I_{CC0}$	Supply current (Write) <sup>(1)</sup>	During $t_W$	-	2	mA
$I_{CC1}$	Standby supply current	Device not selected, 6 $V_{IN} = V_{SS}$ or $V_{CC}$ , $V_{CC} = 1.7\text{ V}$	-	1	$\mu\text{A}$
		Device not selected, 6 $V_{IN} = V_{SS}$ or $V_{CC}$ , $V_{CC} = 2.5\text{ V}$	-	2	
		Device not selected, 6 $V_{IN} = V_{SS}$ or $V_{CC}$ , $V_{CC} = 5.5\text{ V}$	-	3	
$V_{IL}$	Input low voltage (SCL, SDA)	-	-0.45	$0.25 V_{CC}$	V
$V_{IH}$	Input high voltage (SCL, SDA)	-	$0.75 V_{CC}$	$V_{CC} + 1$	V
$V_{OL}$	Output low voltage	$I_{OL} = 1\text{ mA}$ , $V_{CC} < 1.8\text{ V}$	-	0.2	V
		$I_{OL} = 2.1\text{ mA}$ , $V_{CC} = 2.5\text{ V}$	-	0.4	V
		$I_{OL} = 3\text{ mA}$ , $V_{CC} = 5.5\text{ V}$	-	0.4	V

1. Characterized value, not tested in production
2. The device is not selected after power-up, after a read instruction (after the stop condition), or after the completion of the internal write cycle  $t_W$  ( $t_W$  is triggered by the correct decoding of a write instruction).

**Table 15. 400 kHz AC characteristics (fast mode);**

Symbol	Alt.	Parameter	Min.	Max.	Unit
$f_C$	$f_{SCL}$	Clock frequency	-	400	kHz
$t_{CHCL}$	$t_{HIGH}$	Clock pulse width high	600	-	ns
$t_{CLCH}$	$t_{LOW}$	Clock pulse width low	1300	-	ns
$t_{QL1QL2}^{(1)}$	$t_F$	SDA (out) fall time	20 <sup>(2)</sup>	300	ns
$t_{XH1XH2}$	$t_R$	Input signal rise time	(3)	(3)	ns
$t_{XL1XL2}$	$t_F$	Input signal fall time	(3)	(3)	ns
$t_{DXCH}$	$t_{SU:DAT}$	Data in set up time	100	-	ns
$t_{CLDX}$	$t_{HD:DAT}$	Data in hold time	0	-	ns
$t_{CLQX}^{(4)}$	$t_{DH}$	Data out hold time	50	-	ns
$t_{CLQV}^{(5)}$	$t_{AA}$	Clock low to next data valid (access time)	-	900	ns
$t_{CHDL}$	$t_{SU:STA}$	Start condition setup time	600	-	ns
$t_{DLCL}$	$t_{HD:STA}$	Start condition hold time	600	-	ns
$t_{CHDH}$	$t_{SU:STO}$	Stop condition set up time	600	-	ns
$t_{DHDL}$	$t_{BUF}$	Time between Stop condition and next Start condition	1300	-	ns
$t_W$	$t_{WR}$	Write time	-	5	ms
$t_{NS}^{(1)}$	-	Pulse width ignored (input filter on SCL and SDA) - single glitch	-	50	ns

1. Characterized only, not tested in production.

2. With  $C_L = 10$  pF.

3. There is no min. or max. value for the input signal rise and fall times. It is however recommended by the I<sup>2</sup>C specification that the input signal rise and fall times be more than 20 ns and less than 300 ns when  $f_C < 400$  kHz.

4. To avoid spurious Start and Stop conditions, a minimum delay is placed between SCL=1 and the falling or rising edge of SDA

5.  $t_{CLQV}$  is the time (from the falling edge of SCL) required by the SDA bus line to reach either 0.3V<sub>CC</sub> or 0.7V<sub>CC</sub>, assuming that  $R_{bus} \times C_{bus}$  time constant is within the values specified in Figure 12.

**Table 16. 1 MHz AC characteristics**

Symbol	Alt.	Parameter	Min.	Max.	Unit
$f_C$	$f_{SCL}$	Clock frequency	0	1	MHz
$t_{CHCL}$	$t_{HIGH}$	Clock pulse width high	260	-	ns
$t_{CLCH}$	$t_{LOW}$	Clock pulse width low	700	-	ns
$t_{XH1XH2}$	$t_R$	Input signal rise time	(1)	(1)	ns
$t_{XL1XL2}$	$t_F$	Input signal fall time	(1)	(1)	ns
$t_{QL1QL2}^{(2)}$	$t_F$	SDA (out) fall time	20 <sup>(3)</sup>	120	ns
$t_{DXCH}$	$t_{SU:DAT}$	Data in setup time	50	-	ns
$t_{CLDX}$	$t_{HD:DAT}$	Data in hold time	0	-	ns
$t_{CLQX}^{(4)}$	$t_{DH}$	Data out hold time	50	-	ns
$t_{CLQV}^{(5)}$	$t_{AA}$	Clock low to next data valid (access time)	-	650	ns
$t_{CHDL}$	$t_{SU:STA}$	Start condition setup time	250	-	ns
$t_{DLCL}$	$t_{HD:STA}$	Start condition hold time	250	-	ns
$t_{CHDH}$	$t_{SU:STO}$	Stop condition setup time	250	-	ns
$t_{DHDL}$	$t_{BUF}$	Time between Stop condition and next Start condition	500	-	ns
$t_W$	$t_{WR}$	Write time	-	5	ms
$t_{NS}^{(2)}$	-	Pulse width ignored (input filter on SCL and SDA)	-	50	ns

1. There is no min. or max. values for the input signal rise and fall times. However, it is recommended by the I<sup>2</sup>C specification that the input signal rise and fall times be more than 20 ns and less than 120 ns when  $f_C < 1$  MHz.
2. Characterized only, not tested in production.
3. With  $CL = 10$  pF.
4. To avoid spurious Start and Stop conditions, a minimum delay is placed between  $SCL=1$  and the falling or rising edge of SDA.
5.  $t_{CLQV}$  is the time (from the falling edge of SCL) required by the SDA bus line to reach either  $0.3 V_{CC}$  or  $0.7 V_{CC}$ , assuming that the  $R_{bus} \times C_{bus}$  time constant is within the values specified in Figure 13.

Figure 12. Maximum  $R_{bus}$  value vs. bus parasitic capacitance ( $C_{bus}$ ) for an I<sup>2</sup>C bus at maximum frequency  $f_C = 400$  kHz

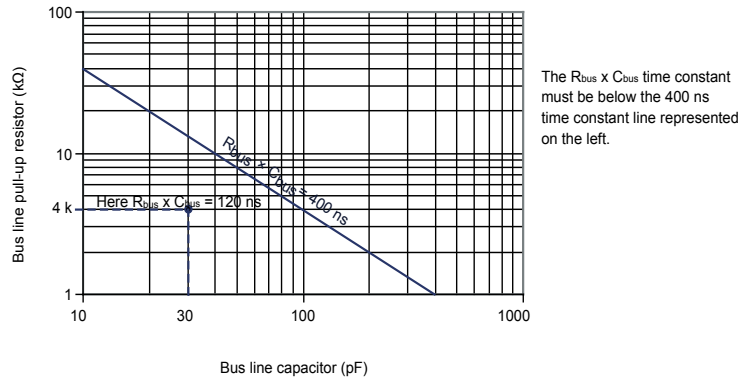


Figure 13. Maximum  $R_{bus}$  value vs. bus parasitic capacitance ( $C_{bus}$ ) for an I<sup>2</sup>C bus at  $f_C = 1$  MHz

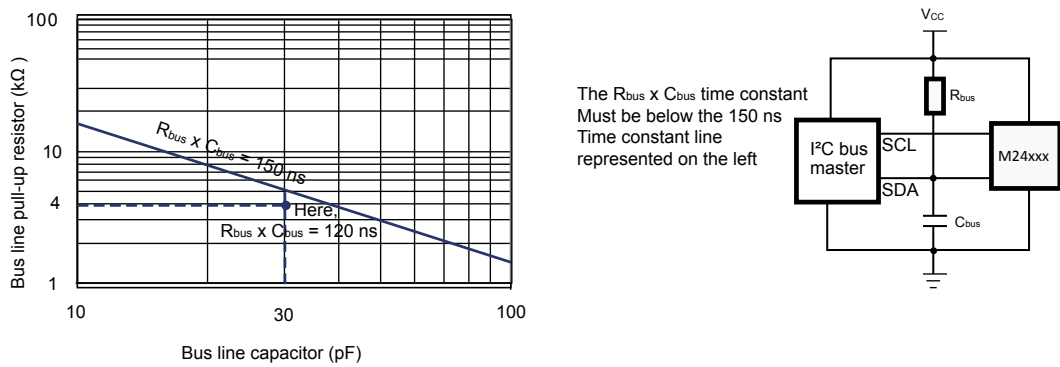
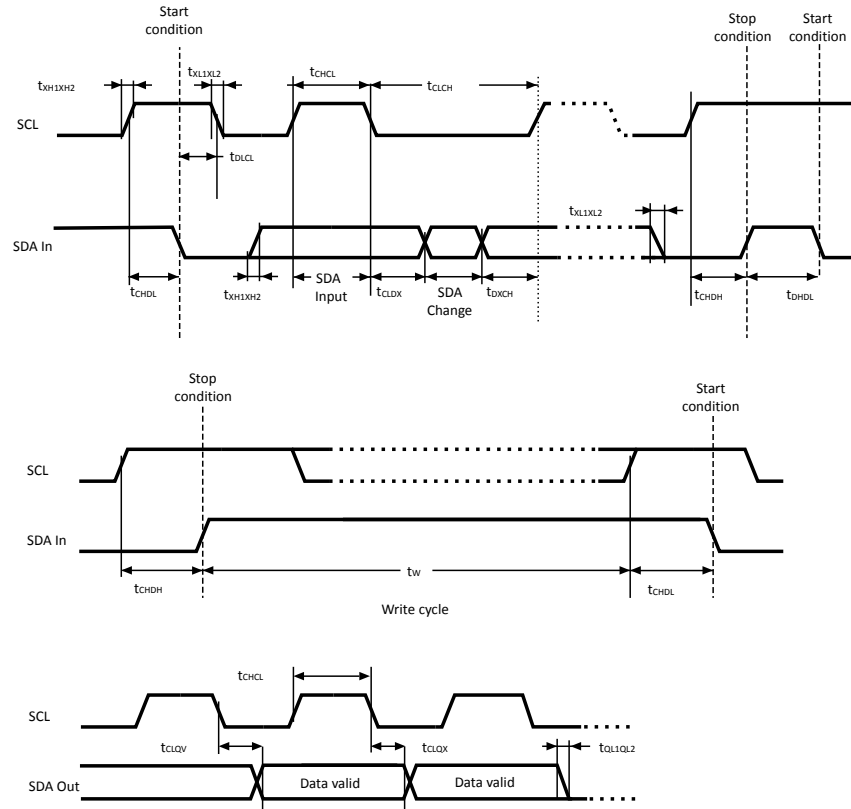


Figure 14. AC waveforms



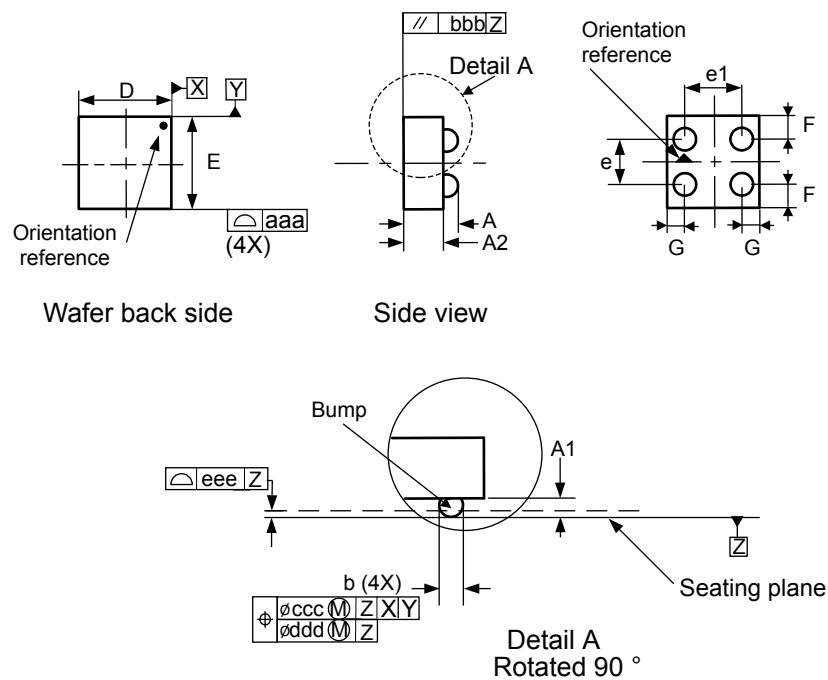


## 10 Package information

In order to meet environmental requirements, ST offers these devices in different grades of ECOPACK packages, depending on their level of environmental compliance. ECOPACK specifications, grade definitions and product status are available at: [www.st.com](http://www.st.com). ECOPACK is an ST trademark.

### 10.1 Ultra thin WLCSP4 package information

Figure 15. Ultra thin WLCSP- 4-bump, 0.851 x 0.851 mm, wafer level chip scale package outline



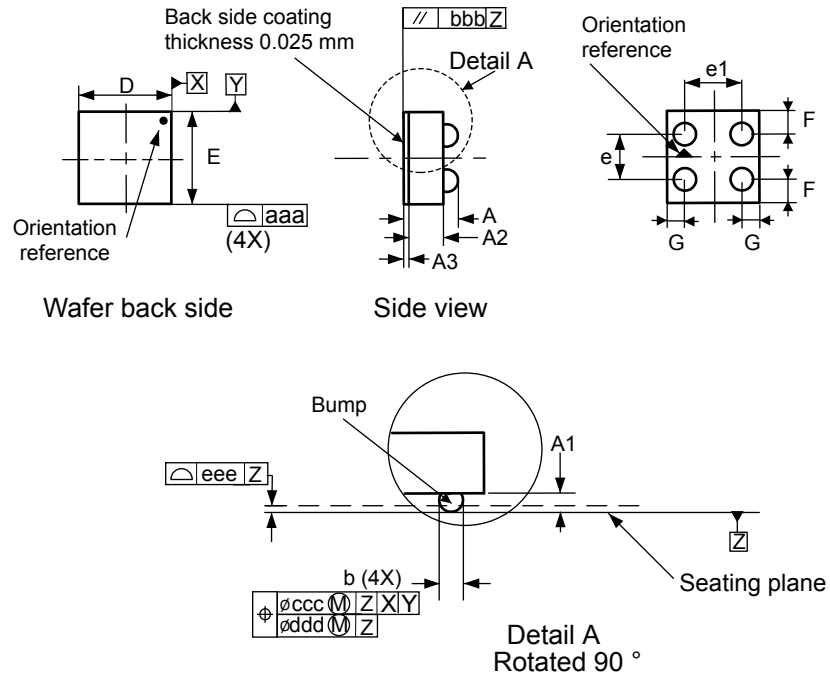
1. Drawing is not to scale.
2. Primary datum Z and seating plane are defined by the spherical crowns of the bump.

**Table 17. Ultra thin WLCSP- 4-bump, 0.851 x 0.851 mm, wafer level chip scale package mechanical data**

Symbol	millimeters			inches <sup>(1)</sup>		
	Min	Typ	Max	Min	Typ	Max
A	0.240	0.270	0.300	0.0094	0.0106	0.0118
A1	-	0.095	-	-	0.0037	-
A2	-	0.175	-	-	0.0079	-
b <sup>(2)(3)</sup>	-	0.185	-	-	0.0073	-
D	-	0.851	0.871	-	0.0335	0.0343
E	-	0.851	0.871	-	0.0335	0.0343
e	-	0.400	-	-	0.0157	-
e1	-	0.500	-	-	0.0197	-
F	-	0.226	-	-	0.0089	-
G	-	0.176	-	-	0.0069	-
aaa	-	0.110	-	-	0.0043	-
bbb	-	0.110	-	-	0.0043	-
ccc	-	0.110	-	-	0.0043	-
ddd	-	0.060	-	-	0.0024	-
eee	-	0.060	-	-	0.0024	-

1. Values in inches are converted from mm and rounded to 4 decimal digits.
2. Dimension is measured at the maximum bump diameter parallel to primary datum Z.
3. Primary datum Z and seating plane are defined by the spherical crowns of the bump.

Figure 16. Ultra thin WLCSP- 4-bump, 0.851 x 0.851 mm, with BSC, wafer level chip scale package outline



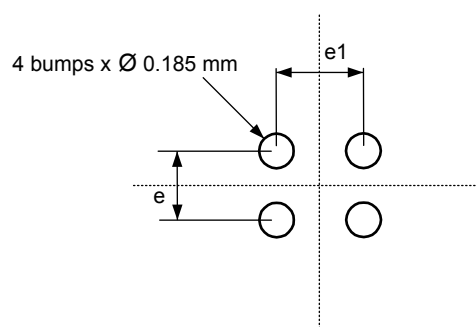
1. Drawing is not to scale.
2. Primary datum Z and seating plane are defined by the spherical crowns of the bump.

**Table 18. Ultra thin WLCSP- 4-bump, 0.851 x 0.851 mm, with BSC, wafer level chip scale package mechanical data**

Symbol	millimeters			inches <sup>(1)</sup>		
	Min	Typ	Max	Min	Typ	Max
A	0.265	0.295	0.330	0.0104	0.0116	0.0130
A1	-	0.095	-	-	0.0037	-
A2	-	0.175	-	-	0.0079	-
A3 (BSC)	-	0.025	-	-	0.0010	-
b <sup>(2)(3)</sup>	-	0.185	-	-	0.0073	-
D	-	0.851	0.871	-	0.0335	0.0343
E	-	0.851	0.871	-	0.0335	0.0343
e	-	0.400	-	-	0.0157	-
e1	-	0.500	-	-	0.0197	-
F	-	0.226	-	-	0.0089	-
G	-	0.176	-	-	0.0069	-
aaa	-	0.110	-	-	0.0043	-
bbb	-	0.110	-	-	0.0043	-
ccc	-	0.110	-	-	0.0043	-
ddd	-	0.060	-	-	0.0024	-
eee	-	0.060	-	-	0.0024	-

1. Values in inches are converted from mm and rounded to 4 decimal digits.
2. Dimension is measured at the maximum bump diameter parallel to primary datum Z.
3. Primary datum Z and seating plane are defined by the spherical crowns of the bump.

**Figure 17. Ultra thin WLCSP- 4-bump, 0.851 x 0.851 mm, wafer level chip scale recommended footprint**



## 11 Ordering information

**Table 19. Ordering information scheme**

Example:	M24	128X -	F	CU	6	T	/T	F
<b>Device type</b>								
M24 = I <sup>2</sup> C serial access EEPROM								
<b>Device function</b>								
128X = 128 Kbit (16384 x 8 bit)								
<b>Operating voltage</b>								
F = V <sub>CC</sub> = 1.7 V to 5.5 V								
<b>Package <sup>(1)</sup></b>								
CU = 4-bump WLCSP ultra-thin								
<b>Device grade</b>								
6 = Industrial: device tested with standard test flow over -40 to 85 °C								
<b>Option</b>								
T = Tape and reel packing								
blank = tube packing								
<b>Process technology <sup>(2)</sup></b>								
/T =Process letter								
<b>Option</b>								
Blank = No back side coating								
F = Back side coating								

1. ECOPACK2 (RoHS compliant and free of brominated, chlorinated and antimony oxide flame retardants).
2. The process letter appears on the device package (marking) and on the shipment box. Contact your nearest ST Sales Office for further information.

**Note:** Parts marked as “ES” or “E” are not yet qualified and therefore not approved for use in production. ST is not responsible for any consequences resulting from such use. In no event will ST be liable for the customer using any of these engineering samples in production. ST’s Quality department must be contacted prior to any decision to use these engineering samples to run a qualification activity.

## Revision history

**Table 20. Document revision history**

Date	Revision	Changes
16-Nov-2018	1	Initial release
01-Oct-2019	2	Updated: <a href="#">Figure 3. Block diagram</a> , <a href="#">Section 6.4 Read operations on chip enable register</a> , <a href="#">Figure 10. Read on chip enable register</a>

## Contents

<b>1</b>	<b>Description</b> .....	<b>2</b>
<b>2</b>	<b>Signal description</b> .....	<b>4</b>
2.1	Serial Clock (SCL) .....	4
2.2	Serial Data (SDA) .....	4
2.3	VSS (ground) .....	4
2.4	Supply voltage (VCC) .....	4
2.4.1	Operating supply voltage (VCC) .....	4
2.4.2	Power-up conditions .....	4
2.4.3	Device reset .....	4
2.4.4	Power-down conditions .....	4
<b>3</b>	<b>Memory organization</b> .....	<b>5</b>
<b>4</b>	<b>Features</b> .....	<b>6</b>
4.1	Chip enable register .....	6
4.2	Configurable device address .....	6
4.3	Software Write Protect .....	6
<b>5</b>	<b>Device operation</b> .....	<b>7</b>
5.1	Start condition .....	8
5.2	Stop condition .....	8
5.3	Data input .....	8
5.4	Acknowledge bit (ACK) .....	8
5.5	Device addressing .....	8
<b>6</b>	<b>Instructions</b> .....	<b>9</b>
6.1	Write operations on memory array .....	9
6.1.1	Byte write .....	10
6.1.2	Page write .....	11
6.1.3	Minimizing write delays by polling on ACK .....	12
6.2	Write operations on chip enable register .....	13
6.3	Read operations on memory array .....	14
6.3.1	Random address read .....	15

---

6.3.2	Current address read .....	15
6.3.3	Sequential read .....	15
6.4	Read operations on chip enable register .....	16
<b>7</b>	<b>Initial delivery state .....</b>	<b>17</b>
<b>8</b>	<b>Maximum ratings .....</b>	<b>18</b>
<b>9</b>	<b>DC and AC parameters .....</b>	<b>19</b>
<b>10</b>	<b>Package information .....</b>	<b>25</b>
10.1	Ultra thin WLCSP4 package information .....	25
<b>11</b>	<b>Ordering information .....</b>	<b>29</b>
	<b>Revision history .....</b>	<b>30</b>



## List of tables

<b>Table 1.</b>	Signal names . . . . .	2
<b>Table 2.</b>	Signals vs. bump position . . . . .	3
<b>Table 3.</b>	Chip enable register values . . . . .	6
<b>Table 4.</b>	Device select code . . . . .	8
<b>Table 5.</b>	Most significant address byte . . . . .	9
<b>Table 6.</b>	Least significant address byte . . . . .	9
<b>Table 7.</b>	Address of the chip enable register . . . . .	13
<b>Table 8.</b>	Absolute maximum ratings . . . . .	18
<b>Table 9.</b>	Operating conditions . . . . .	19
<b>Table 10.</b>	AC measurement conditions . . . . .	19
<b>Table 11.</b>	Input parameters . . . . .	19
<b>Table 12.</b>	Cycling performance . . . . .	20
<b>Table 13.</b>	Memory cell data retention . . . . .	20
<b>Table 14.</b>	DC characteristics . . . . .	20
<b>Table 15.</b>	400 kHz AC characteristics (fast mode); . . . . .	21
<b>Table 16.</b>	1 MHz AC characteristics . . . . .	22
<b>Table 17.</b>	Ultra thin WLCSP- 4-bump, 0.851 x 0.851 mm, wafer level chip scale package mechanical data . . . . .	26
<b>Table 18.</b>	Ultra thin WLCSP- 4-bump, 0.851 x 0.851 mm, with BSC, wafer level chip scale package mechanical data . . . . .	28
<b>Table 19.</b>	Ordering information scheme. . . . .	29
<b>Table 20.</b>	Document revision history . . . . .	30

## List of figures

Figure 1.	Logic diagram . . . . .	2
Figure 2.	4-bump WLCSP connections . . . . .	3
Figure 3.	Block diagram . . . . .	5
Figure 4.	I <sup>2</sup> C bus protocol . . . . .	7
Figure 5.	Write mode sequence SWP bit = 0 (data write enabled) . . . . .	10
Figure 6.	Write mode sequence with SWP bit = 1 (data write inhibited) . . . . .	11
Figure 7.	Write cycle polling flowchart using ACK . . . . .	12
Figure 8.	Write on chip enable register . . . . .	13
Figure 9.	Read mode sequences . . . . .	14
Figure 10.	Read on chip enable register . . . . .	16
Figure 11.	AC measurement I/O waveform . . . . .	19
Figure 12.	Maximum $R_{bus}$ value vs. bus parasitic capacitance ( $C_{bus}$ ) for an I <sup>2</sup> C bus at maximum frequency $f_C = 400$ kHz . . . . .	23
Figure 13.	Maximum $R_{bus}$ value vs. bus parasitic capacitance ( $C_{bus}$ ) for an I <sup>2</sup> C bus at $f_C = 1$ MHz. . . . .	23
Figure 14.	AC waveforms . . . . .	24
Figure 15.	Ultra thin WLCSP- 4-bump, 0.851 x 0.851 mm, wafer level chip scale package outline . . . . .	25
Figure 16.	Ultra thin WLCSP- 4-bump, 0.851 x 0.851 mm, with BSC, wafer level chip scale package outline . . . . .	27
Figure 17.	Ultra thin WLCSP- 4-bump, 0.851 x 0.851 mm, wafer level chip scale recommended footprint . . . . .	28

**IMPORTANT NOTICE – PLEASE READ CAREFULLY**

STMicroelectronics NV and its subsidiaries (“ST”) reserve the right to make changes, corrections, enhancements, modifications, and improvements to ST products and/or to this document at any time without notice. Purchasers should obtain the latest relevant information on ST products before placing orders. ST products are sold pursuant to ST’s terms and conditions of sale in place at the time of order acknowledgement.

Purchasers are solely responsible for the choice, selection, and use of ST products and ST assumes no liability for application assistance or the design of Purchasers’ products.

No license, express or implied, to any intellectual property right is granted by ST herein.

Resale of ST products with provisions different from the information set forth herein shall void any warranty granted by ST for such product.

ST and the ST logo are trademarks of ST. For additional information about ST trademarks, please refer to [www.st.com/trademarks](http://www.st.com/trademarks). All other product or service names are the property of their respective owners.

Information in this document supersedes and replaces information previously supplied in any prior versions of this document.

© 2019 STMicroelectronics – All rights reserved

## X-ON Electronics

Largest Supplier of Electrical and Electronic Components

*Click to view similar products for [EEPROM](#) category:*

*Click to view products by [STMicroelectronics](#) manufacturer:*

Other Similar products are found below :

[M29F040-70K6](#) [718278CB](#) [718620G](#) [444358RB](#) [444362FB](#) [BR93C46-WMN7TP](#) [EEROMH](#) [CAT25320YIGT-KK](#) [LE24C162-R-E](#)  
[LE2464DXATBG](#) [CAS93C66VP2I-GT3](#) [W60002FT20T](#) [CAT24S128C4UTR](#) [ZD24C64B-SSGMA0](#) [BL24C04F-RRRC](#) [S-25C040A0I-](#)  
[I8T1U](#) [AT24C256BY7-YH-T](#) [M24C64-DFCT6TPK](#) [BR24C21FJ-E2](#) [BR24G02FVJ-3GTE2](#) [BR24L16FJ-WE2](#) [BR24L16FVJ-WE2](#)  
[BR24S16FJ-WE2](#) [BR24S256F-WE2](#) [BR93L56RFV-WE2](#) [BR93L66F-WE2](#) [BR93L76RFV-WE2](#) [CAT24C64C4CTR](#) [CHL24C32WEGT3](#)  
[AT28HC256E-12SU-T](#) [AT93C46DY6-YH-T](#) [BR24T02FVT-WSGE2](#) [M35B32-WMN6TP](#) [M24C64-FMC6TG](#) [M24C08-WDW6TP](#)  
[CAT25080VP2IGTQH](#) [CAT25020ZIGT-QP](#) [CAT24C01VP2I-GT3](#) [CAT93C76BZI-GT3](#) [CAT64LC40WI-T3](#) [CAT25256HU4E-GT3](#)  
[CAT25128VP2I-GT3](#) [CAT25040VP2I-GT3](#) [CAT25020VP2I-GT3](#) [CAT24C16ZI-G](#) [CAT24C05LI-G](#) [CAT24C01ZI-G](#) [CAT24C05WI-G](#)  
[DS28E01P-100+T](#) [24LC014H-IP](#)