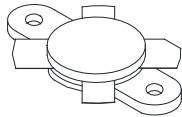
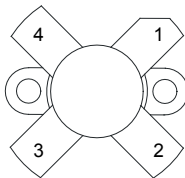


150 W – 50 V moisture resistant HF/VHF DMOS transistor



M174MR epoxy sealed

1. Drain
2. Source
3. Gate
4. Source



Features

- Gold metallization
- Excellent thermal stability
- Common source push-pull configuration
- $P_{OUT} = 150\text{ W}$ min. with 14 dB gain @ 175 MHz
- Thermally enhanced packing for lower junction temperatures
- G_{FS} and V_{GS} sort marked on unit
- Moisture resistant package specifically designed to operate in extreme environments

Description

The [SD2931-12MR](#) is a gold metallized N-channel MOS field-effect RF power transistor. Electrically identical to the standard SD2931 MOSFET, it is used for 50 V DC large signal applications up to 230 MHz.

The device is mechanically compatible with the SD2931 but offers better thermal capability (25% lower thermal resistance), representing the best-in-class in transistors for ISM applications, where reliability and ruggedness are critical factors.

The [SD2931-12MR](#) benefits from the latest generation of environmentally designed packing, ruggedized against cyclic high moisture operation and severe storage conditions.

Product status	
SD2931-12MR	
Product summary	
Order code	SD2931-12MR
Marking	SD2931-11MR
Package	M174
Packing	Plastic tray

1 Electrical data

1.1 Maximum ratings

 $T_{CASE} = 25\text{ °C}$
Table 1. Absolute maximum ratings

Symbol	Parameter	Value	Unit
$V_{(BR)DSS}$	Drain source voltage	125	V
V_{DGR}	Drain-gate voltage ($R_{GS} = 1\text{ M}\Omega$)	125	V
V_{GS}	Gate-source voltage	± 40	V
I_D	Drain current	20	A
P_{DISS}	Power dissipation	389	W
T_J	Max. operating junction temperature	200	°C
T_{STG}	Storage temperature	-65 to +150	°C

1.2 Thermal data

Table 2. Thermal data

Symbol	Parameter	Value	Unit
R_{thJC}	Junction-to-case thermal resistance	0.45	°C/W

2 Electrical characteristics

 $T_{CASE} = 25\text{ }^{\circ}\text{C}$
Table 3. Static

Symbol	Test conditions	Min.	Typ.	Max.	Unit
$V_{(BR)DSS}$	$V_{GS} = 0\text{ V}$ $I_{DS} = 100\text{ mA}$	125			V
I_{DSS}	$V_{GS} = 0\text{ V}$ $V_{DS} = 5\text{ V}$			20	
	$V_{GS} = 0\text{ V}$ $V_{DS} = 50\text{ V}$			50	μA
I_{GSS}	$V_{GS} = 20\text{ V}$ $V_{DS} = 0\text{ V}$			250	nA
$V_{GS(Q)}^{(1)}$	$V_{DS} = 10\text{ V}$ $I_D = 250\text{ mA}$	See table below			V
$V_{DS(ON)}$	$V_{GS} = 10\text{ V}$ $I_D = 10\text{ A}$			3.0	V
$G_{FS}^{(1)}$	$V_{DS} = 10\text{ V}$ $I_D = 5\text{ A}$	See table below			mho
C_{ISS}	$V_{GS} = 0\text{ V}$ $V_{DS} = 50\text{ V}$ $f = 1\text{ MHz}$		480		pF
C_{OSS}	$V_{GS} = 0\text{ V}$ $V_{DS} = 50\text{ V}$ $f = 1\text{ MHz}$		190		pF
C_{RSS}	$V_{GS} = 0\text{ V}$ $V_{DS} = 50\text{ V}$ $f = 1\text{ MHz}$		18		pF

1. $V_{GS(Q)}$ and G_{FS} sorted with alpha/numeric code marked on unit.

Table 4. V_{GS} and G_{FS} sorts

Code	V_{GS}	G_{FS}
I	2.65 - 3.15	6.0 - 6.5
J	2.65 - 3.15	6.5 - 7.0
K	2.65 - 3.15	7.0 - 7.5

Table 5. Dynamic

Symbol	Test conditions	Min.	Typ.	Max.	Unit
P_{OUT}	$V_{DD} = 50\text{ V}$ $I_{DQ} = 250\text{ mA}$ $f = 175\text{ MHz}$	150			W
G_{PS}	$V_{DD} = 50\text{ V}$ $I_{DQ} = 250\text{ mA}$ $P_{OUT} = 150\text{ W}$ $f = 175\text{ MHz}$	14	15		dB
η_D	$V_{DD} = 50\text{ V}$ $I_{DQ} = 250\text{ mA}$ $P_{OUT} = 150\text{ W}$ $f = 175\text{ MHz}$	55	65		%
Load mismatch	$V_{DD} = 50\text{ V}$ $I_{DQ} = 250\text{ mA}$ $P_{OUT} = 150\text{ W}$ $f = 175\text{ MHz}$ all phase angles	10:1			VSWR

3 Transient thermal impedance

Figure 3. Transient thermal impedance

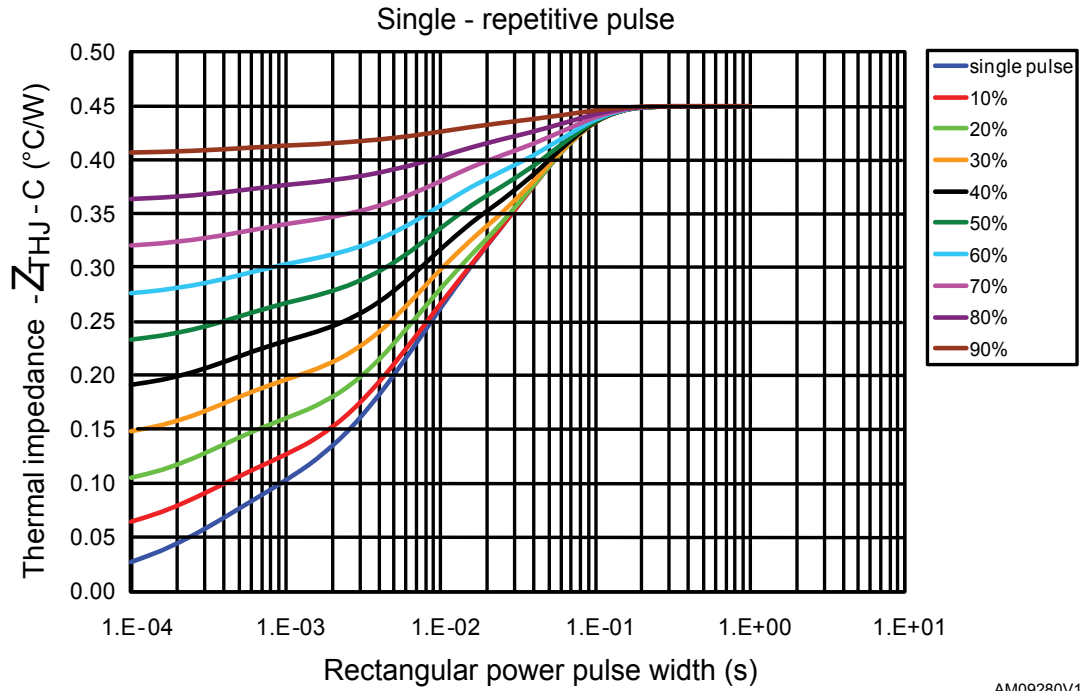
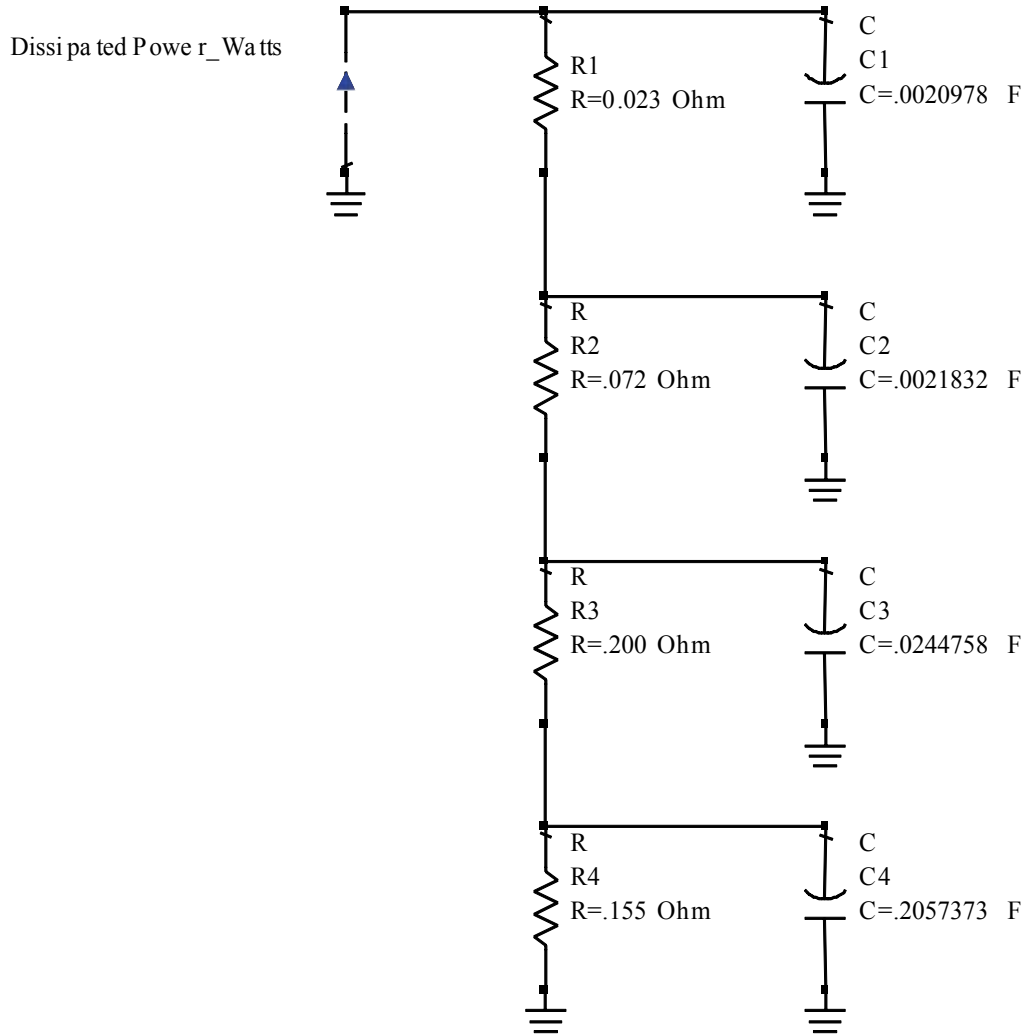
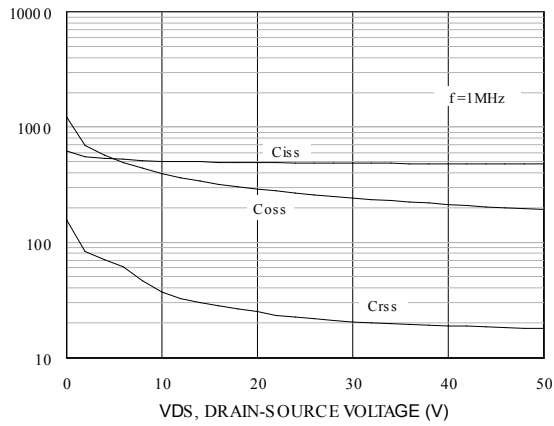
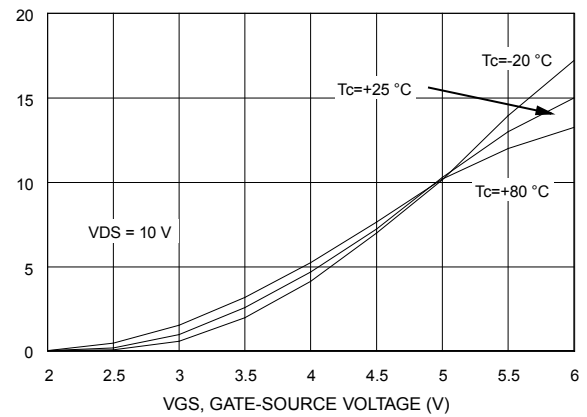
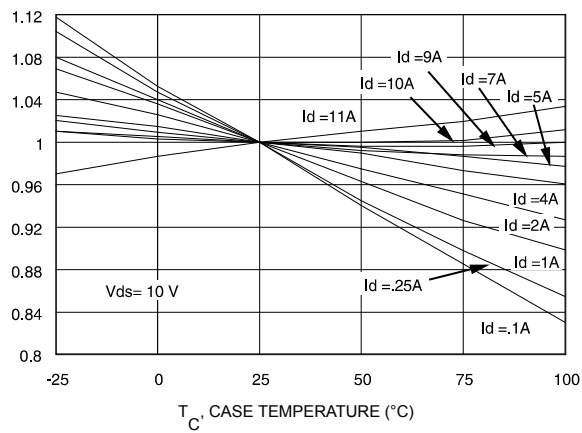
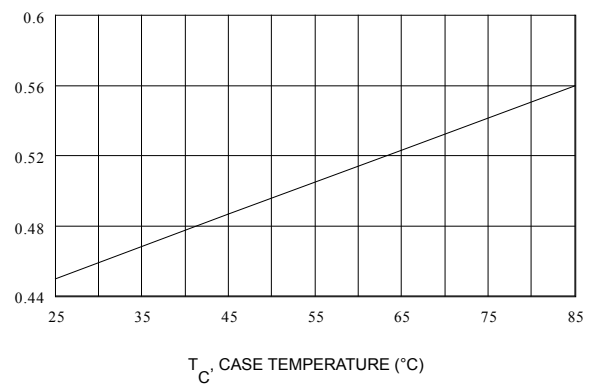
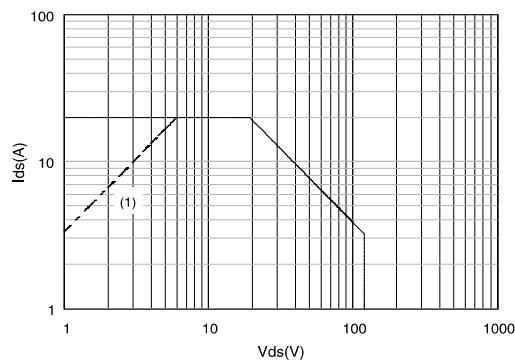


Figure 4. Transient thermal impedance model



AM09281V1

4 Typical performance

Figure 5. Capacitance vs. drain voltage

Figure 6. Drain current vs. gate voltage

Figure 7. Gate-source voltage vs. case temperature

Figure 8. Maximum thermal resistance vs. case temperature

Figure 9. Safe operating area


4.1 Typical performance (175 MHz)

Figure 10. Output power vs. input power

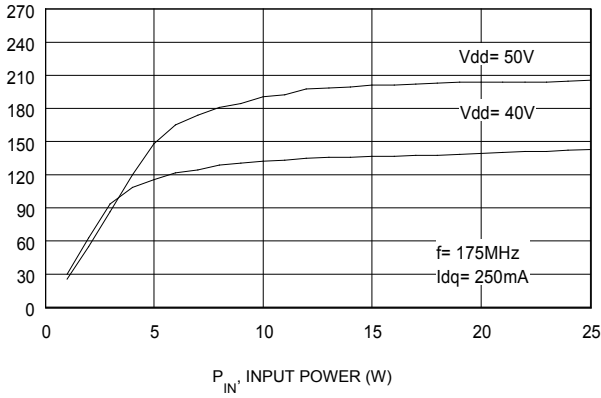


Figure 11. Output power vs. input power at different T_c

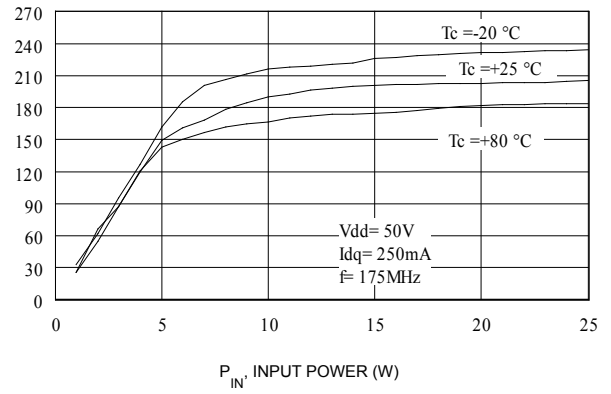


Figure 12. Power gain vs. output power

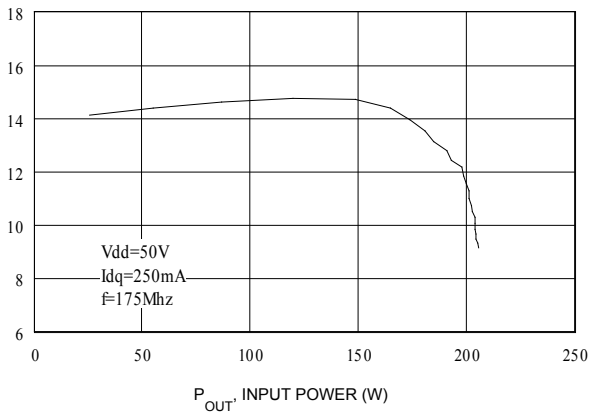


Figure 13. Efficiency vs. output power

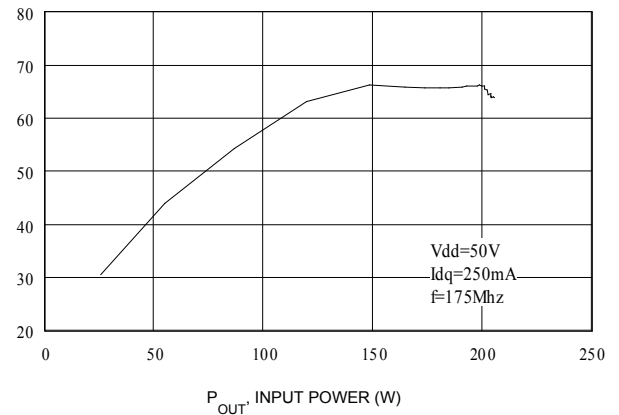


Figure 14. Output power vs. supply voltage

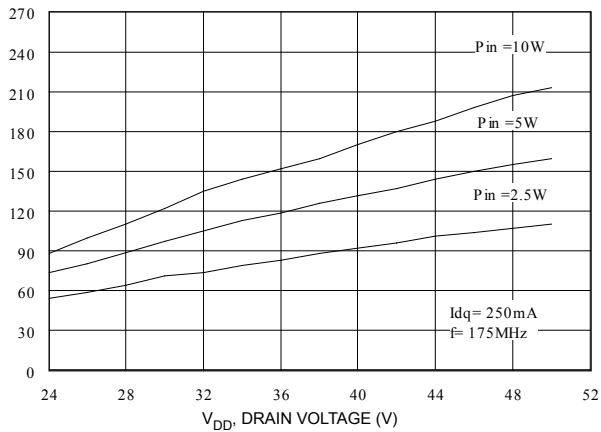
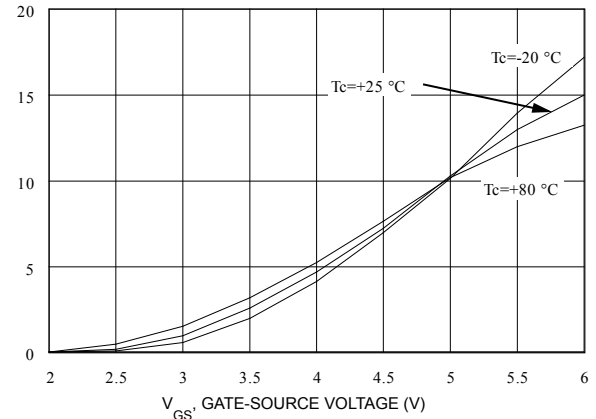


Figure 15. Drain current vs. gate-source voltage



4.1.1 Test circuit (175 MHz)

Figure 16. 175 MHz test circuit schematic (production test circuit)

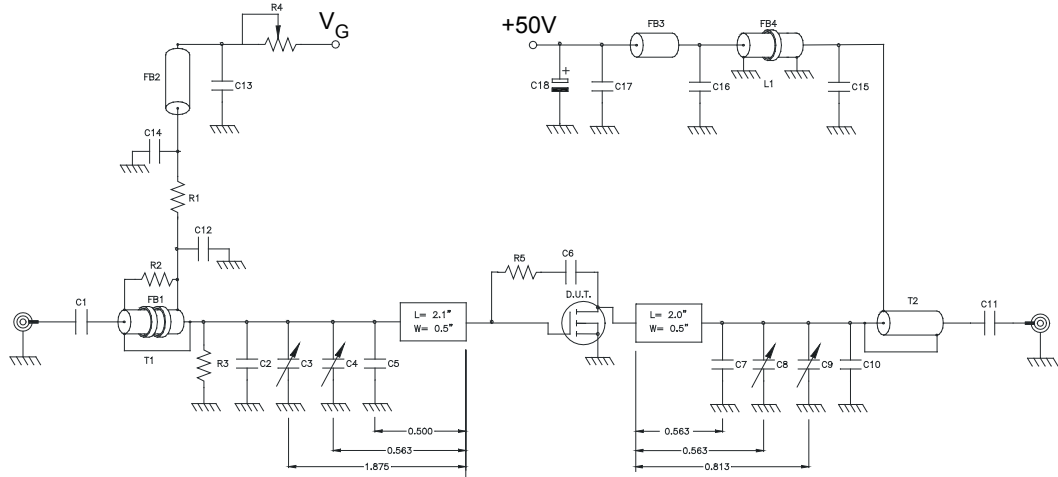


Table 6. 175 MHz test circuit part list

Component	Description
T1	4:1 transformer, 25 Ω flexible coax .090 OD 6" long
T2	1:4 transformer, 25 Ω semi-rigid coax .141 OD 6" long
FB1	Toroid X 2, 0.5" OD .312" ID 850 μ 2 turns
FB2, FB3	VK200
FB4	Shield bead, 1" OD 0.5" ID 850 μ 3 turns
L1	1/4 wave choke, 50 Ω semi-rigid coax .141 OD 12" long
PCB	0.62" woven fiberglass, 1 oz. copper, 2 sides, $\epsilon_r = 2.55$
R1, R3	470 Ω 1 W chip resistor
R2	360 Ω 1/2 W resistor
R4	20 k Ω 10 turn potentiometer
R5	560 Ω 1 W resistor
C1, C11	470 pF ATC chip cap
C2	43 pF ATC chip cap
C3, C8, C9	Arco 404, 12-65 pF
C4	Arco 423, 16-100 pF
C5	120 pF ATC chip cap
C6	0.01 μ F ATC chip cap
C7	30 pF ATC chip cap
C10	91 pF ATC chip cap
C12, C15	1200 pF ATC chip cap
C13, C14, C16, C17	0.01 μ F / 500 V chip cap
C18	10 μ F 63 V electrolytic capacitor

Figure 17. 175 MHz test circuit photomaster

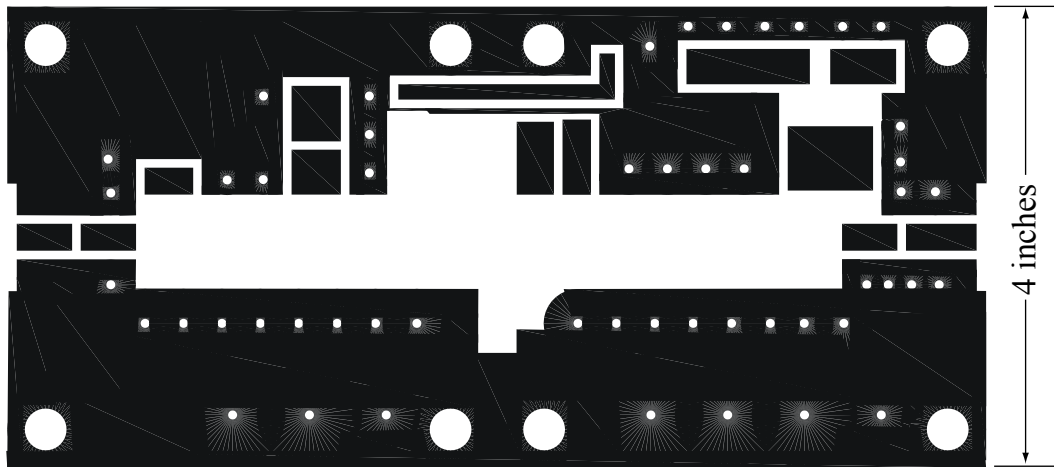
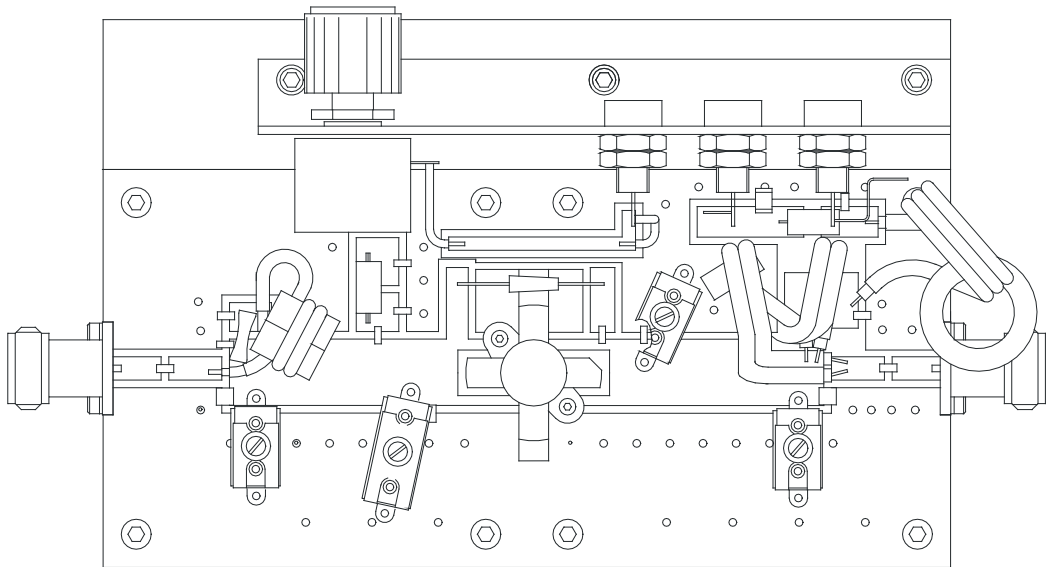


Figure 18. 175 MHz test circuit



4.2 Typical performance (30 MHz)

Figure 19. Output power vs. input power

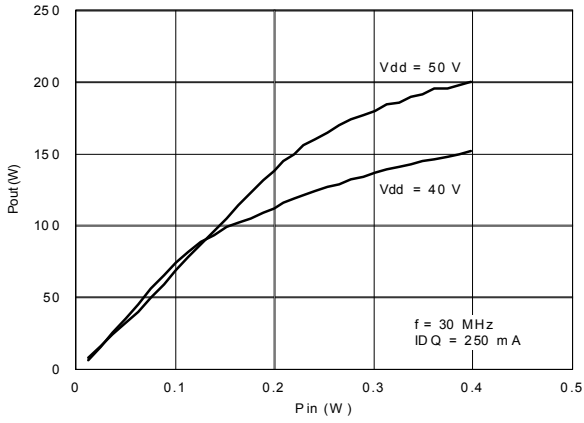


Figure 20. Power gain vs. output power

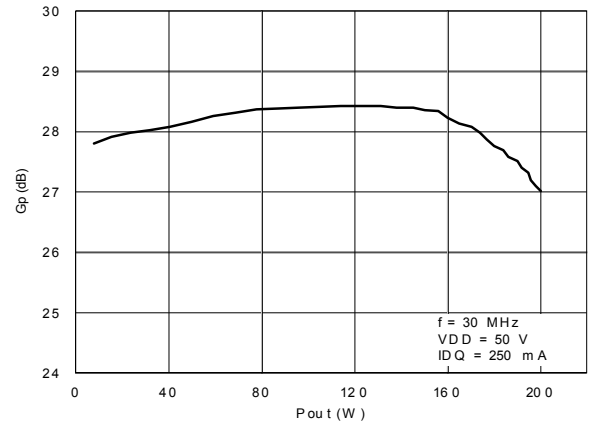


Figure 21. Efficiency vs. output power

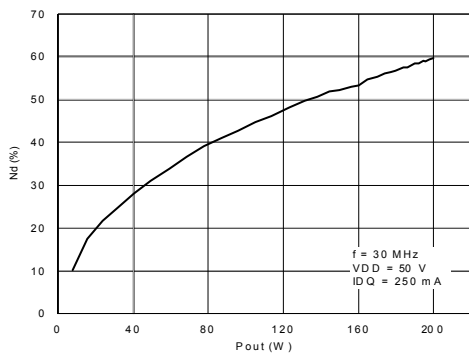


Figure 22. Output power vs. supply voltage

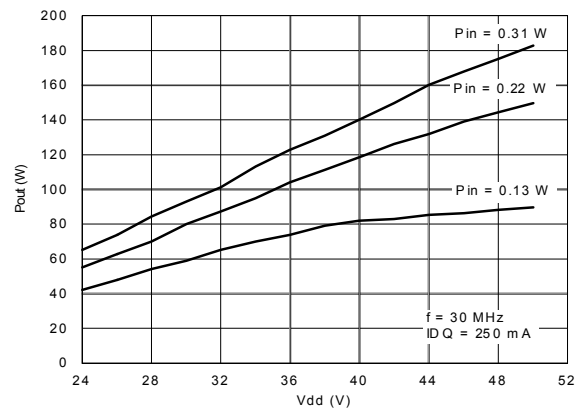
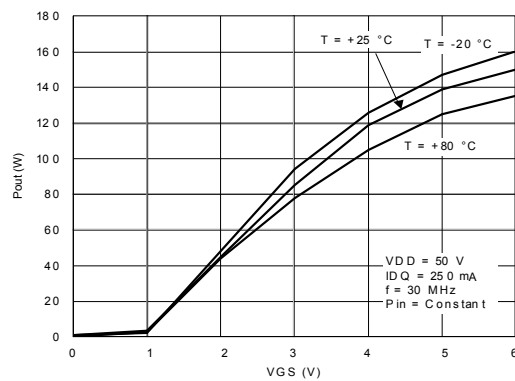


Figure 23. Output power vs. gate-source voltage



4.2.1 Test circuit (30 MHz)

Figure 24. 30 MHz test circuit schematic (production test circuit)

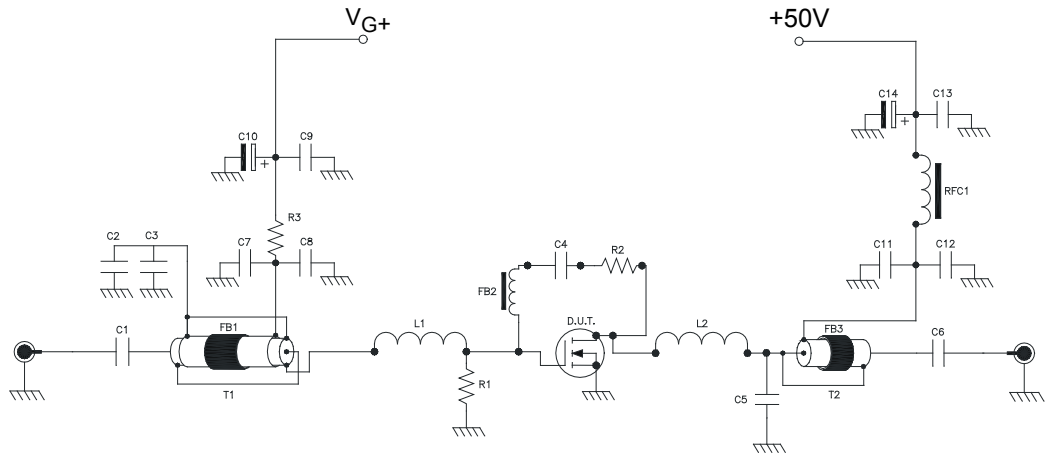


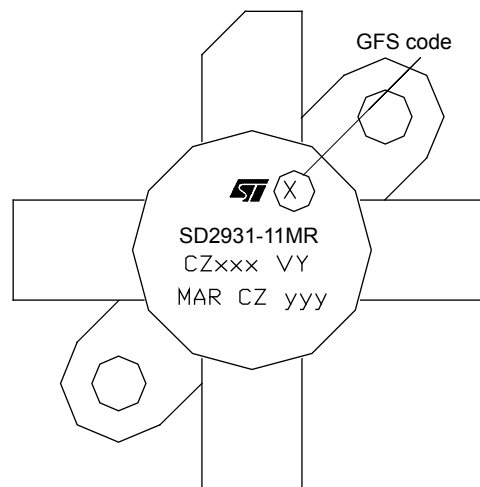
Table 7. 30 MHz test circuit part list

Component	Description
T1	9:1 transformer, 25 Ω flexible coax with extra shield .090 OD 15" long
T2	1:4 transformer, 50 Ω flexible coax .225 OD 15" long
FB1	Toroid 1.7" OD .30" ID 220 μ 4 turns
FB2	Surface mount EMI shield bead
FB3	Toroid 1.7" OD .300" ID 220 μ 3 turns
RFC1	Toroid 0.5" OD 0.30" ID 125 μ 4 turns 12 awg wire
PCB	0.62" woven fiberglass, 1 oz. copper, 2 sides, $\epsilon_r = 2.55$
R1, R3	1 kohm 1 W chip resistor
R2	680 ohm 3 W wirewound resistor
C1, C4, C6, C7, C8, C9, C11, C12, C13	0.1 μ F ATC chip cap
C2, C3	750 pF ATC chip cap
C5	470 pF ATC chip cap
C10	10 μ F 63 V electrolytic capacitor
C14	100 μ F 63 V electrolytic capacitor

5 Marking, packing and shipping specifications

Table 8. Packing and shipping specifications

Order code	Packing	Pieces per tray	Dry pack humidity	V _{GS} and G _{FS} code	Lot code
SD2931-12MR	Plastic tray	25	< 10%	Not mixed	Not mixed

Figure 25. SD2931-12MR marking layout

Table 9. Marking specifications

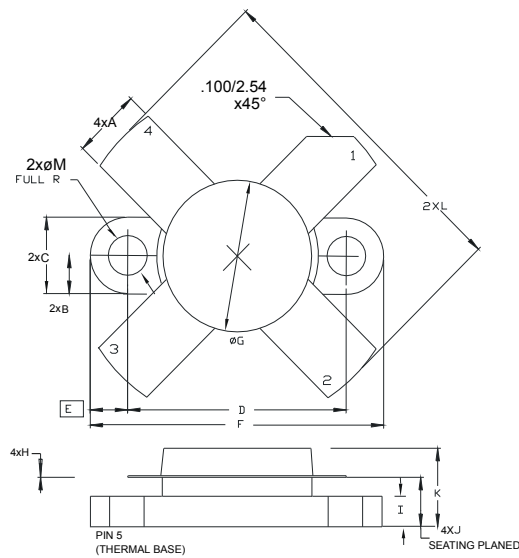
Symbol	Description
X	V _{GS} and G _{FS} sort
CZ	Assembly plant
xxx	Last 3 digits of diffusion lot
VY	Diffusion plant
MAR	Country of origin
CZ	Test and finishing plant
y	Assembly year
yy	Assembly week

6 Package information

In order to meet environmental requirements, ST offers these devices in different grades of ECOPACK® packages, depending on their level of environmental compliance. ECOPACK® specifications, grade definitions and product status are available at: www.st.com. ECOPACK® is an ST trademark.

6.1 M174MR package information

Figure 26. M174MR package outline



8410504 rev. A

Table 10. M174 package mechanical data

Dim.	mm		
	Min.	Typ.	Max.
A	5.56		5.584
B		3.18	
C	6.22		6.48
D	18.28		18.54
E		3.18	
F	24.64		24.89
G	12.07		12.83
H	0.08		0.18
I	2.11		3.00
J	3.81		4.45
K			8.00
L	25.53		26.67
M	3.05		3.30

Revision history

Table 11. Document revision history

Date	Revision	Changes
20-Feb-2013	1	Initial release
10-Sep-2013	2	Document promoted from preliminary data to full datasheet. Formatting and minor text changes.
11-Nov-2016	3	Updated <i>Table 2: "Absolute maximum ratings"</i> .
07-Feb-2018	4	Updated marking in cover page and Figure 25. SD2931-12MR marking layout . Minor text changes.

Contents

1	Electrical data	2
1.1	Maximum ratings	2
1.2	Thermal data	2
2	Electrical characteristics	3
3	Transient thermal impedance	4
4	Typical performance	6
4.1	Typical performance (175 MHz)	6
4.1.1	Test circuit (175 MHz)	7
4.2	Typical performance (30 MHz)	9
4.2.1	Test circuit (30 MHz)	10
5	Marking, packing and shipping specifications	12
6	Package information	13
6.1	M174MR package information	13
	Revision history	14
	Contents	15
	Disclaimer	16

IMPORTANT NOTICE – PLEASE READ CAREFULLY

STMicroelectronics NV and its subsidiaries (“ST”) reserve the right to make changes, corrections, enhancements, modifications, and improvements to ST products and/or to this document at any time without notice. Purchasers should obtain the latest relevant information on ST products before placing orders. ST products are sold pursuant to ST’s terms and conditions of sale in place at the time of order acknowledgement.

Purchasers are solely responsible for the choice, selection, and use of ST products and ST assumes no liability for application assistance or the design of Purchasers’ products.

No license, express or implied, to any intellectual property right is granted by ST herein.

Resale of ST products with provisions different from the information set forth herein shall void any warranty granted by ST for such product.

ST and the ST logo are trademarks of ST. All other product or service names are the property of their respective owners.

Information in this document supersedes and replaces information previously supplied in any prior versions of this document.

© 2018 STMicroelectronics – All rights reserved

X-ON Electronics

Largest Supplier of Electrical and Electronic Components

Click to view similar products for [RF MOSFET Transistors](#) category:

Click to view products by [STMicroelectronics](#) manufacturer:

Other Similar products are found below :

[MRF492](#) [MRFE8VP8600HR5](#) [ARF1511](#) [ARF465BG](#) [BF 2030 E6814](#) [BLF861A](#) [DU1215S](#) [DU28200M](#) [UF28100M](#) [DU2820S](#)
[MHT1008NT1](#) [MMRF1014NT1](#) [MRF426](#) [ARF468AG](#) [ARF468BG](#) [MAPHST0045](#) [MRFE6VP61K25NR6](#) [DU2860U](#) [VRF152GMP](#)
[MRFE6VP5300NR1](#) [BF2040E6814HTSA1](#) [MRFE6VP5150GNR1](#) [LET9060S](#) [MRF136Y](#) [BF999E6327HTSA1](#) [SD2931-12MR](#)
[BF998E6327HTSA1](#) [AFV10700HR5](#) [MRF141](#) [MRF171](#) [MRF172](#) [MRF174](#) [QPD1020SR](#) [BF 1005S E6327](#) [MRF134](#) [MRF136](#) [MRF137](#)
[MRF141G](#) [MRF151A](#) [MRF151G](#) [MRF157](#) [MRF158](#) [MRF160](#) [MRF171A](#) [MRF177](#) [UF2840G](#) [TGF3021-SM](#) [ARF1510](#) [ARF448BG](#)
[ARF449AG](#)