

50 V moisture resistant DMOS transistor for ISM applications

Datasheet - production data

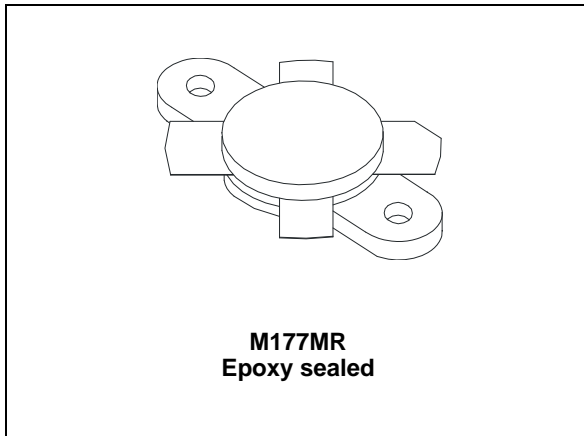
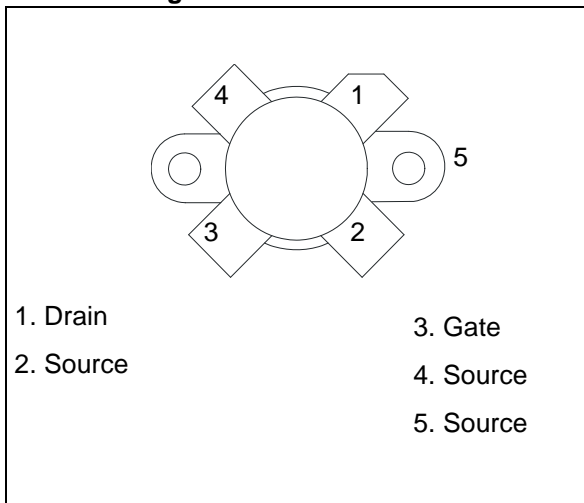


Figure 1. Pin connection



Features

- Improved ruggedness $V_{(BR)DSS} > 200\text{ V}$
- Excellent thermal stability
- 20:1 all phases load mismatch capability
- $P_{OUT} = 300\text{ W}$ min. with 24 dB gain @ 30 MHz
- In compliance with the 2002/95/EEC European directive
- Moisture resistant package specifically designed to operate under extreme environments

Description

The SD4933MR is an N-channel MOS field-effect RF power transistor. It is intended for use in 50 V ISM applications up to 100 MHz.

The SD4933MR benefits from the latest generation of environmentally designed packaging, ruggedized against cyclic high moisture operating and severe storage conditions.

Table 1. Device summary

| Order code | Marking | Base qty. | Package | Packaging |
|------------|-------------------------|-----------|---------|--------------|
| SD4933MR | SD4933MR ⁽¹⁾ | 25 pcs | M177MR | Plastic tray |

1. For more details please refer to [Chapter 8: Marking, packing and shipping specifications](#).

Contents

| | | |
|-----------|---|-----------|
| 1 | Electrical data | 3 |
| 1.1 | Maximum ratings | 3 |
| 1.2 | Thermal data | 3 |
| 2 | Electrical characteristics | 4 |
| 2.1 | Static | 4 |
| 2.2 | Dynamic | 4 |
| 3 | Impedance data | 5 |
| 4 | Typical performance | 6 |
| 5 | Typical performance (30 MHz) | 9 |
| 5.1 | Test circuit (30 MHz) | 10 |
| 6 | Circuit layout | 12 |
| 7 | VGS/GFS sorts | 13 |
| 8 | Marking, packing and shipping specifications | 14 |
| 9 | Package mechanical data | 15 |
| 10 | Revision history | 17 |

1 Electrical data

1.1 Maximum ratings

($T_{CASE} = 25\text{ °C}$)

Table 2. Absolute maximum ratings

| Symbol | Parameter | Value | Unit |
|---------------|---|-------------|--------------------|
| $V_{(BR)DSS}$ | Drain source voltage | 200 | V |
| V_{DGR} | Drain-gate voltage ($R_{GS} = 1\text{ M}\Omega$) | 200 | V |
| V_{GS} | Gate-source voltage | ± 20 | V |
| I_D | Drain current | 40 | A |
| P_{DISS} | Power dissipation | 648 | W |
| E_{AS} | Avalanche energy Single pulse ($I_D = 56\text{ A} - 800\text{ }\mu\text{H}$ coil) | 1200 | mJ |
| T_J | Max. operating junction temperature | 200 | $^{\circ}\text{C}$ |
| T_{STG} | Storage temperature | -65 to +150 | $^{\circ}\text{C}$ |

1.2 Thermal data

Table 3. Thermal data

| Symbol | Parameter | Value | Unit |
|------------|------------------------------------|-------|----------------------|
| R_{thJC} | Junction - case thermal resistance | 0.27 | $^{\circ}\text{C/W}$ |

2 Electrical characteristics

($T_{CASE} = 25\text{ }^{\circ}\text{C}$)

2.1 Static

Table 4. Static

| Symbol | Test conditions | | Min | Typ | Max | Unit |
|---------------|------------------------|--------------------------|-----|------|------|---------------|
| $V_{(BR)DSS}$ | $V_{GS} = 0\text{ V}$ | $I_{DS} = 100\text{ mA}$ | 200 | 240 | | V |
| I_{DSS} | $V_{GS} = 0\text{ V}$ | $V_{DS} = 100\text{ V}$ | | | 2 | mA |
| I_{GSS} | $V_{GS} = 20\text{ V}$ | $V_{DS} = 0\text{ V}$ | | | 1 | μA |
| V_{TH} | $I_D = 250\text{ mA}$ | | 2.5 | | 3.75 | V |
| $V_{DS(ON)}$ | $V_{GS} = 10\text{ V}$ | $I_D = 20\text{ A}$ | | 3.5 | 4.0 | V |
| G_{FS} | $V_{DS} = 10\text{ V}$ | $I_D = 5\text{ A}$ | 8 | | 14 | S |
| C_{ISS} | $V_{GS} = 0\text{ V}$ | $V_{DS} = 50\text{ V}$ | | 1000 | | pF |
| C_{OSS} | $V_{GS} = 0\text{ V}$ | $V_{DS} = 50\text{ V}$ | | 400 | | pF |
| C_{RSS} | $V_{GS} = 0\text{ V}$ | $V_{DS} = 50\text{ V}$ | | 16 | | pF |

2.2 Dynamic

Table 5. Dynamic

| Symbol | Test conditions | | Min | Typ | Max | Unit |
|---------------|------------------------|---|------|------|-----|------|
| P_{OUT} | $V_{DD} = 50\text{ V}$ | $I_{DQ} = 250\text{ mA}$ $f = 30\text{ MHz}$ | 300 | | - | W |
| G_{PS} | $V_{DD} = 50\text{ V}$ | $I_{DQ} = 250\text{ mA}$ $P_{OUT} = 300\text{ W}$ $f = 30\text{ MHz}$ | 20 | 24 | - | dB |
| h_D | $V_{DD} = 50\text{ V}$ | $I_{DQ} = 250\text{ mA}$ $P_{OUT} = 300\text{ W}$ $f = 30\text{ MHz}$ | 50 | 58 | - | % |
| Load mismatch | $V_{DD} = 50\text{ V}$ | $I_{DQ} = 250\text{ mA}$ $P_{OUT} = 300\text{ W}$ $f = 30\text{ MHz}$ All phase angles | 10:1 | 20:1 | - | VSWR |

3 Impedance data

Figure 2. Impedance data

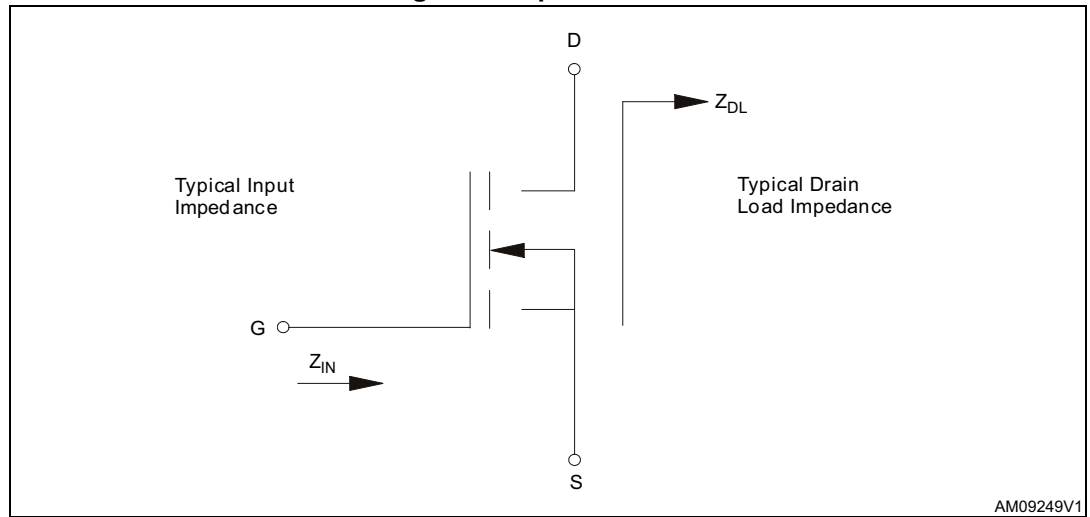


Table 6. Impedance values

| Z_{in} | Z_{dl} |
|-------------|-------------|
| 1.6 - j 5.0 | 3.3 + j 1.0 |

4 Typical performance

Figure 3. Capacitance vs. drain voltage

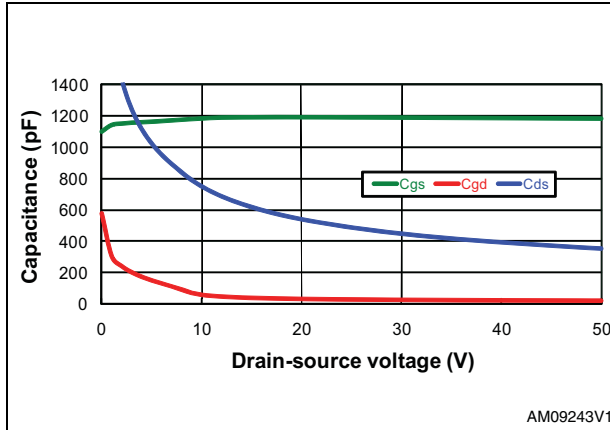


Figure 4. Drain current vs. drain-source voltage

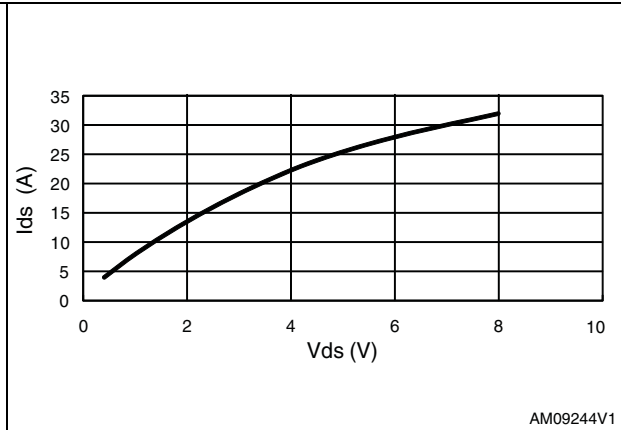


Figure 5. Drain current vs. drain-source voltage at different temperatures

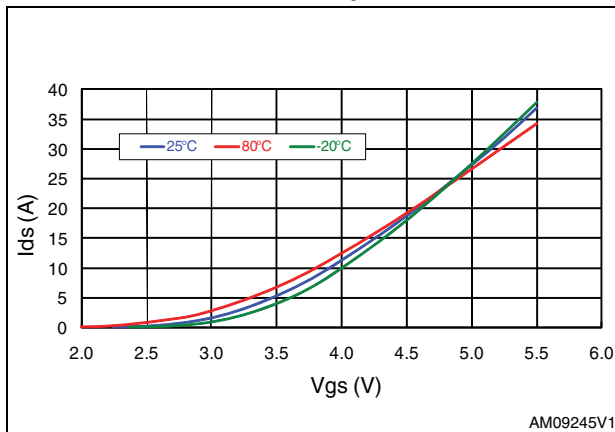


Figure 6. Transient thermal impedance

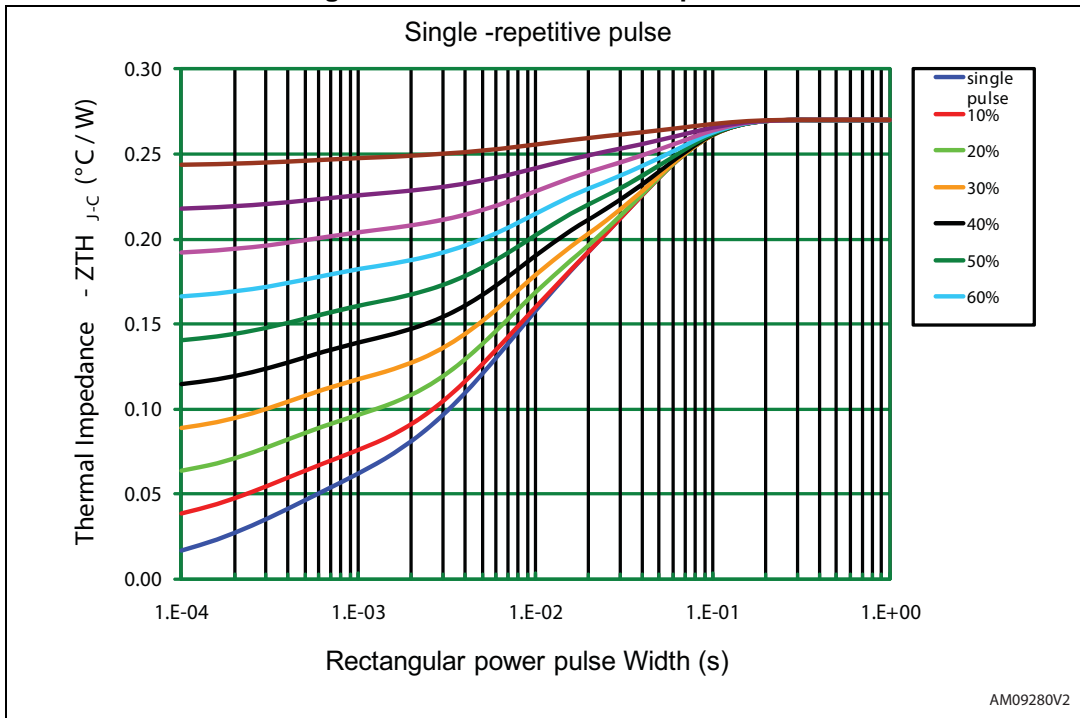
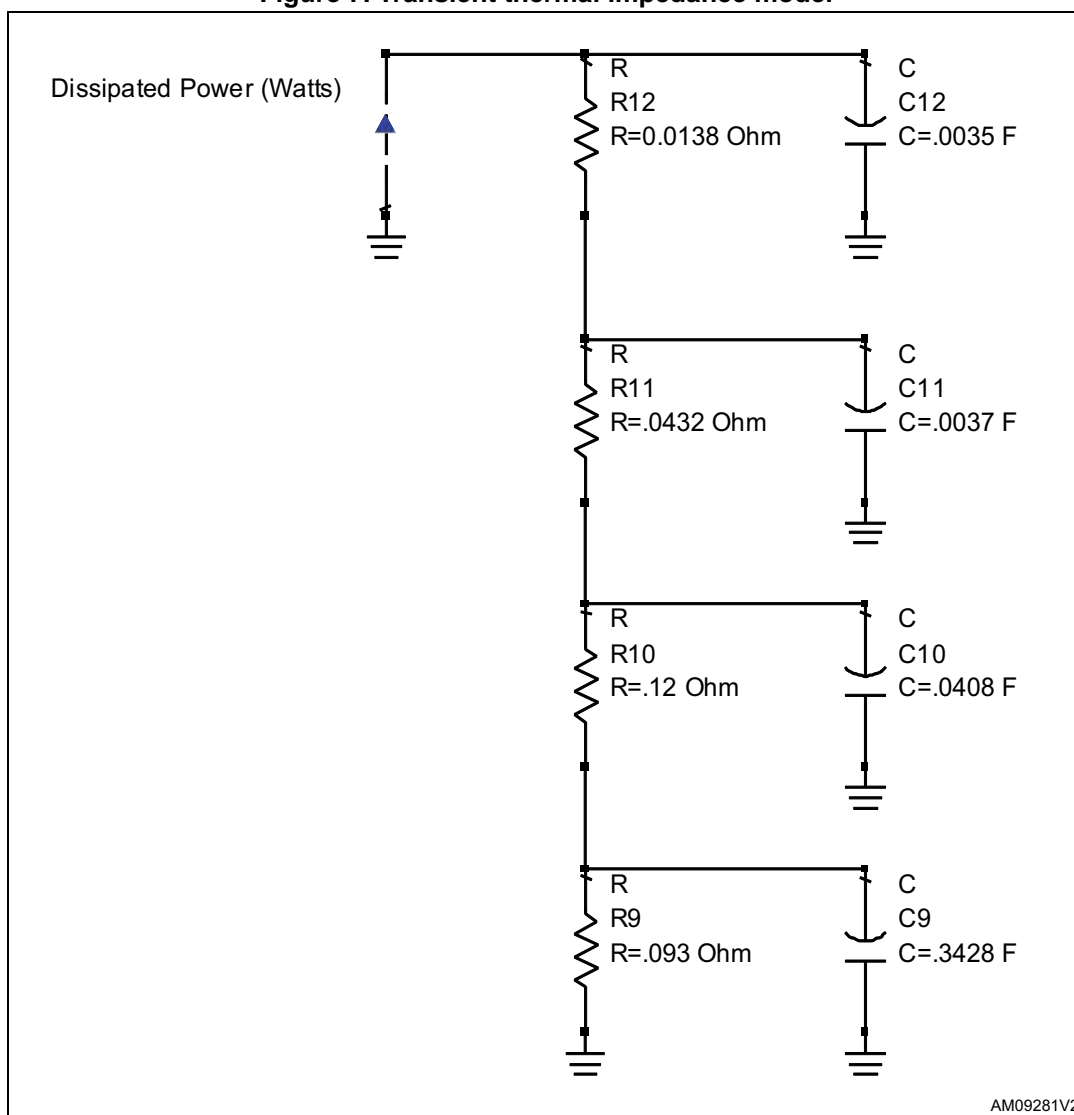


Figure 7. Transient thermal impedance model



5 Typical performance (30 MHz)

Figure 8. Gain and efficiency vs. output power at $V_{dd} = 50\text{ V}$, $I_{dq} = 250\text{ mA}$, $f_{req} = 30\text{ MHz}$

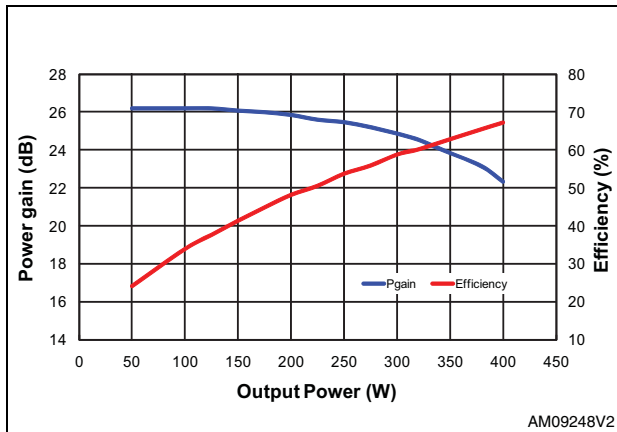


Figure 9. Output power vs. input power

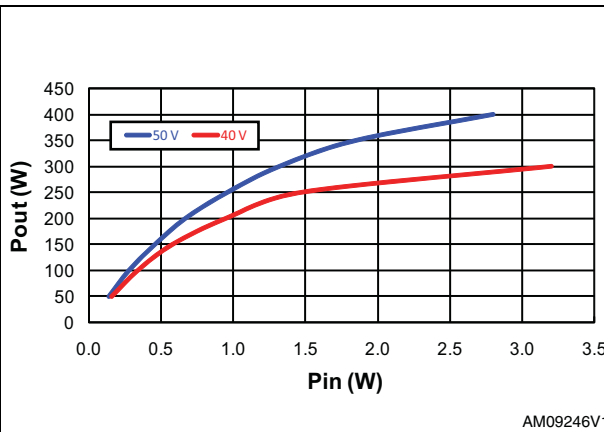


Figure 10. Output power vs. supply voltage

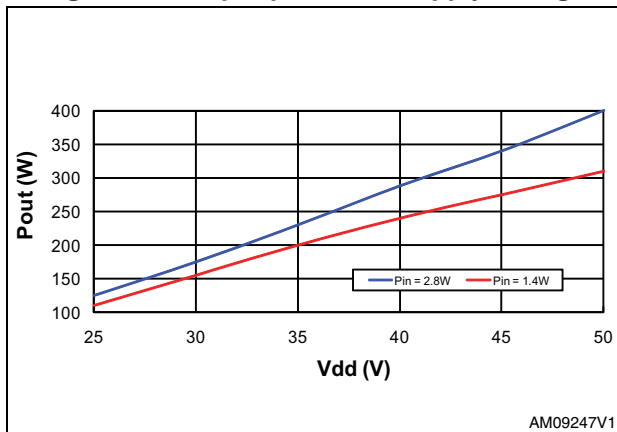
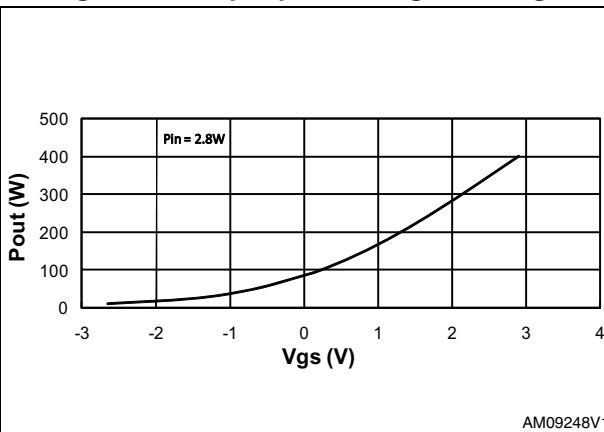


Figure 11. Output power vs. gate voltage



5.1 Test circuit (30 MHz)

Figure 12. 30 MHz test circuit schematic

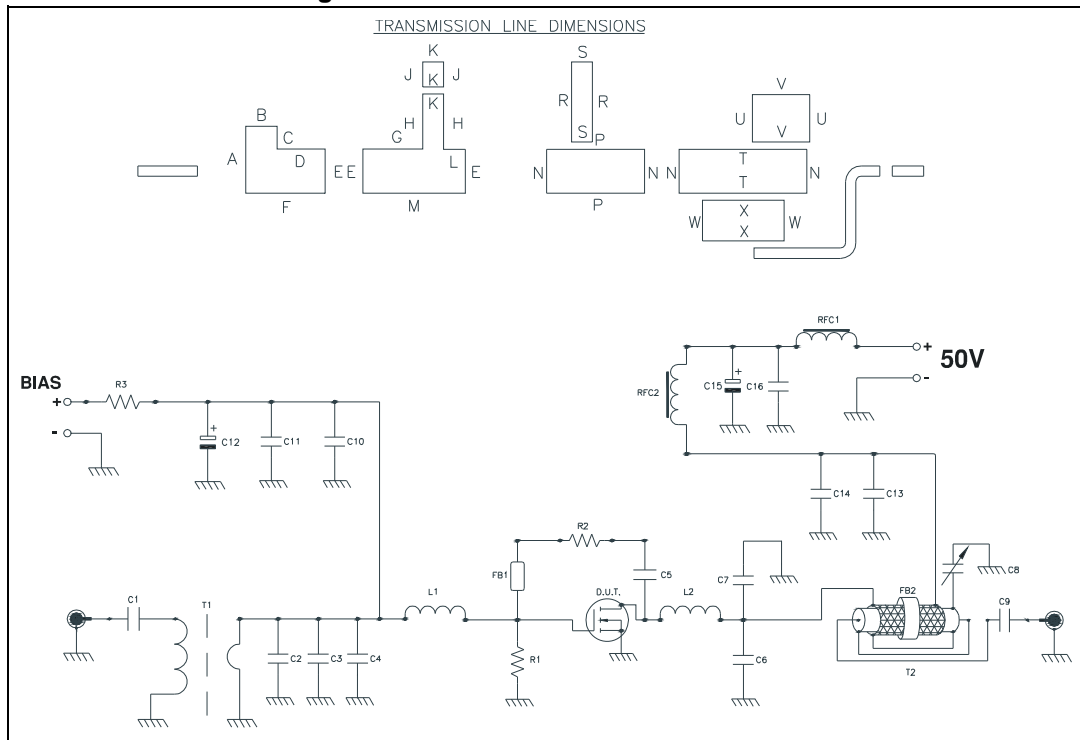


Table 7. Transmission line dimensions

| Dim. | Inch | mm |
|------|-------|-------|
| A | 0.532 | 13.51 |
| B | 0.250 | 6.35 |
| C | 0.181 | 4.59 |
| D | 0.383 | 9.37 |
| E | 0.351 | 8.91 |
| F | 0.633 | 16.08 |
| G | 0.477 | 12.12 |
| H | 0.438 | 11.12 |
| J | 0.200 | 5.08 |
| K | 0.164 | 4.16 |
| L | 0.174 | 4.42 |
| M | 0.817 | 20.75 |
| N | 0.350 | 8.89 |
| P | 0.779 | 19.79 |
| R | 0.639 | 16.23 |

Table 7. Transmission line dimensions (continued)

| Dim. | Inch | mm |
|------|-------|-------|
| S | 0.165 | 4.19 |
| T | 1.017 | 25.84 |
| U | 0.375 | 9.52 |
| V | 0.456 | 11.58 |
| W | 0.325 | 8.24 |
| X | 0.650 | 16.50 |

Table 8. 30 MHz test circuit component list

| Component | Description |
|--------------------|---|
| C1,C9 | 0.01 μ F / 500 V surface mount ceramic chip capacitor |
| C2, C3 | 750 pF ATC 700B surface mount ceramic chip capacitor |
| C4 | 300 pF ATC 700B surface mount ceramic chip capacitor |
| C5,C10,C11,C14,C16 | 10000 pF ATC 200B surface mount ceramic chip capacitor |
| C6 | 510 pF ATC 700B surface mount ceramic chip capacitor |
| C7 | 300 pF ATC 700B surface mount ceramic chip capacitor |
| C8 | 175-680 pF type 46 standard trimmer capacitor |
| C12 | 47 μ F / 63 V aluminum electrolytic radial lead capacitor |
| C13 | 1200 pF ATC 700B surface mount ceramic chip capacitor |
| C15 | 100 μ F / 63 V aluminum electrolytic radial lead capacitor |
| R1,R3 | 1 K OHM 1 W surface mount chip resistor |
| R2 | 560 OHM 2 W wire-wound axils lead resistor |
| T1 | HF 2-30 MHz surface mount 9:1 transformer |
| T2 | RG - 142B/U 50 OHM coaxial cable OD = 0.165[4.18] L 15"[381.00] covered with 15"[381.00] tinned copper tubular brand 13/65" [5.1] width |
| L1 | 1 3/4 turn air-wound 16 AWG ID = 0.219 [5.56] poly-coated magnet wire |
| L2 | 1 3/4 turn air-wound 12 AWG ID = 0.250 [6.34] bus bar wire |
| RFC1,RFC2 | 3 turns 14 AWG wire through ferrite toroid |
| FB1 | Surface mount EMI shield bead |
| FB2 | Toroid |
| PCB | ULTRALAM 2000. 0.030" THK, $\epsilon_r = 2.55$, 2 Oz ED CU both sides |

6 Circuit layout

Figure 13. Test fixture component layout

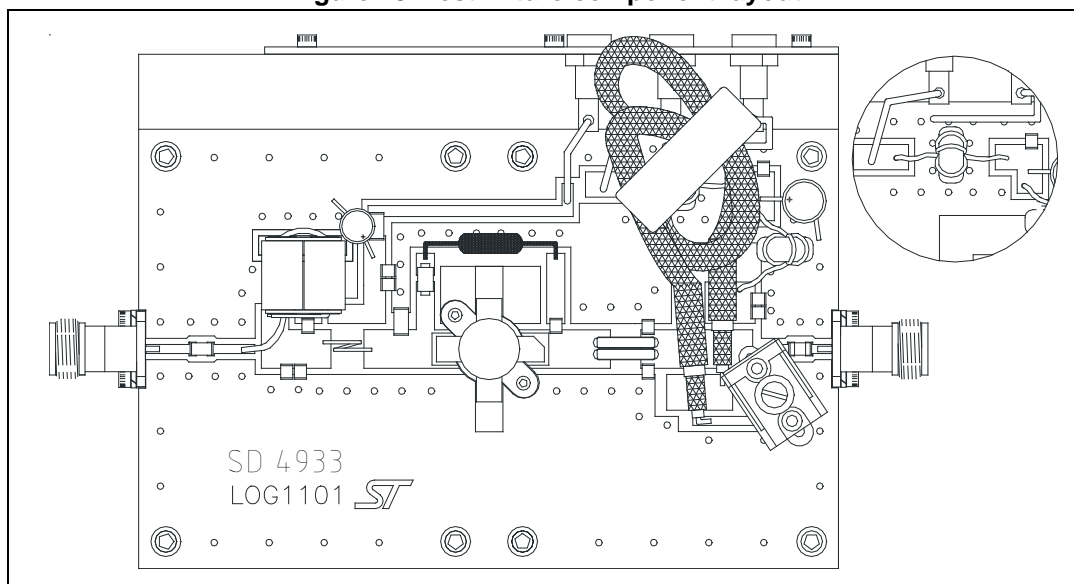
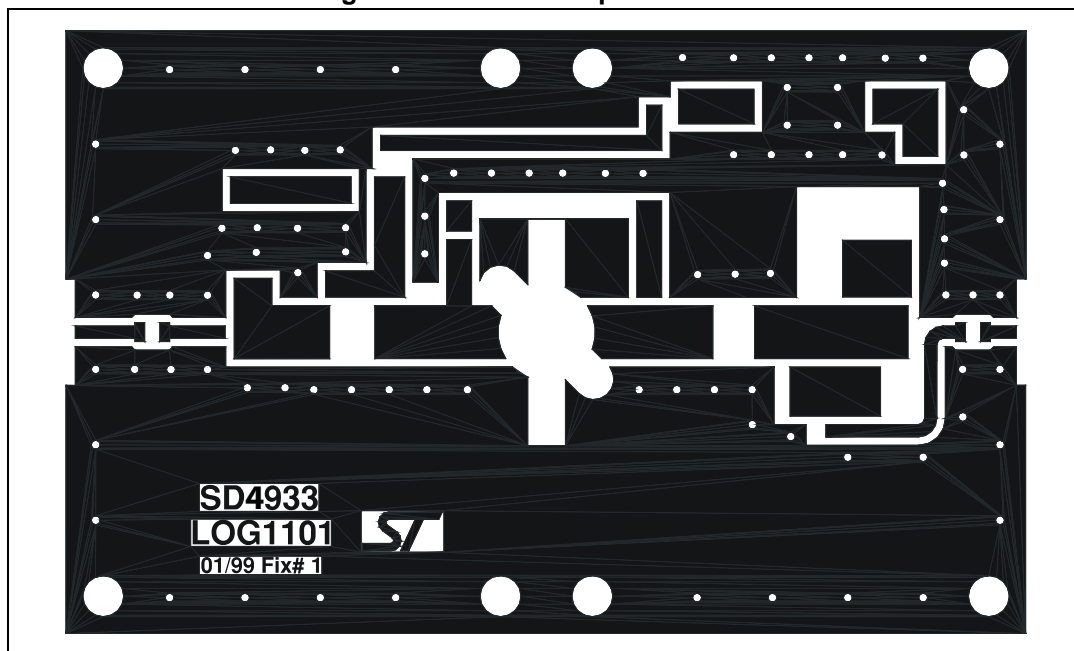


Figure 14. Test circuit photomasters



7 V_{GS}/G_{FS} sorts

Table 9. V_{GS}/G_{FS} sorts

| Marking | V _{GS} (min) | V _{GS} (max) | G _{FS} (min) | G _{FS} (max) |
|---------|-----------------------|-----------------------|-----------------------|-----------------------|
| E4 | 2.50 | 2.75 | 8 | 9 |
| E5 | 2.50 | 2.75 | 9 | 10 |
| E6 | 2.50 | 2.75 | 10 | 11 |
| E7 | 2.50 | 2.75 | 11 | 12 |
| E8 | 2.50 | 2.75 | 12 | 13 |
| E9 | 2.50 | 2.75 | 13 | 14 |
| F4 | 2.75 | 3.00 | 8 | 9 |
| F5 | 2.75 | 3.00 | 9 | 10 |
| F6 | 2.75 | 3.00 | 10 | 11 |
| F7 | 2.75 | 3.00 | 11 | 12 |
| F8 | 2.75 | 3.00 | 12 | 13 |
| F9 | 2.75 | 3.00 | 13 | 14 |
| G4 | 3.00 | 3.25 | 8 | 9 |
| G5 | 3.00 | 3.25 | 9 | 10 |
| G6 | 3.00 | 3.25 | 10 | 11 |
| G7 | 3.00 | 3.25 | 11 | 12 |
| G8 | 3.00 | 3.25 | 12 | 13 |
| G9 | 3.00 | 3.25 | 13 | 14 |
| H4 | 3.25 | 3.50 | 8 | 9 |
| H5 | 3.25 | 3.50 | 9 | 10 |
| H6 | 3.25 | 3.50 | 10 | 11 |
| H7 | 3.25 | 3.50 | 11 | 12 |
| H8 | 3.25 | 3.50 | 12 | 13 |
| H9 | 3.25 | 3.50 | 13 | 14 |
| I4 | 3.50 | 3.75 | 8 | 9 |
| I5 | 3.50 | 3.75 | 9 | 10 |
| I6 | 3.50 | 3.75 | 10 | 11 |
| I7 | 3.50 | 3.75 | 11 | 12 |
| I8 | 3.50 | 3.75 | 12 | 13 |
| I9 | 3.50 | 3.75 | 13 | 14 |

8 Marking, packing and shipping specifications

Table 10. Packing and shipping specifications

| Order code | Packaging | Pcs per tray | Dry pack humidity | Vgs and Gfs code | Lot code |
|------------|--------------|--------------|-------------------|------------------|-----------|
| SD4933MR | Plastic tray | 25 | < 10% | Not mixed | Not mixed |

Figure 15. Marking layout

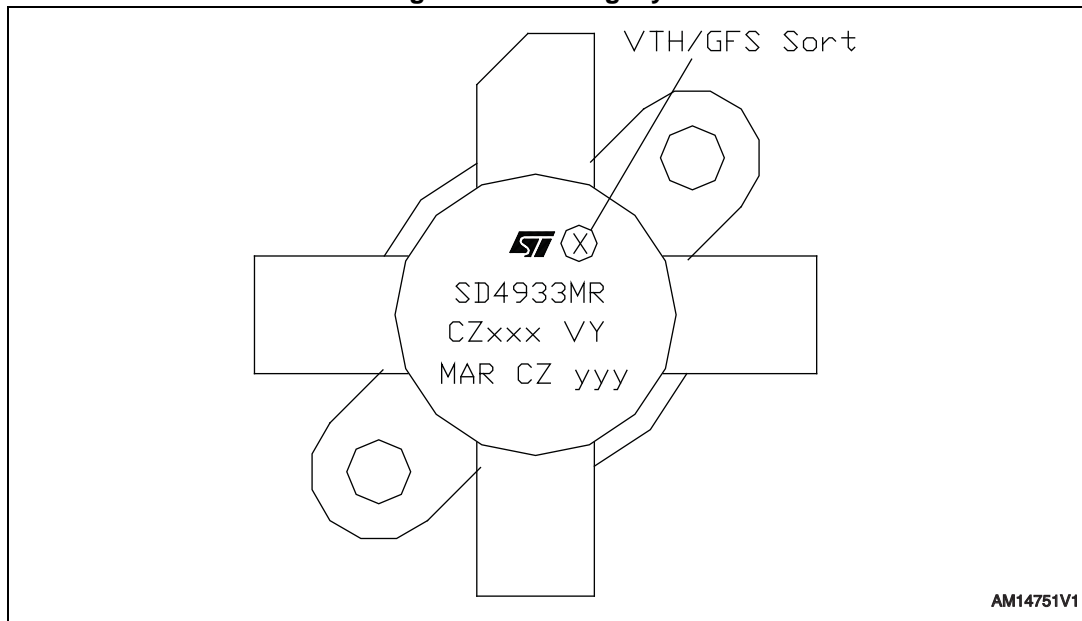


Table 11. Marking specifications

| Symbol | Description |
|--------|--|
| X | V _{GS} and G _{FS} sort |
| CZ | Assembly plant |
| xxx | Last 3 digits of diffusion lot |
| VY | Diffusion plant |
| MAR | Country of origin |
| CZ | Test and finishing plant |
| y | Assembly year |
| yy | Assembly week |

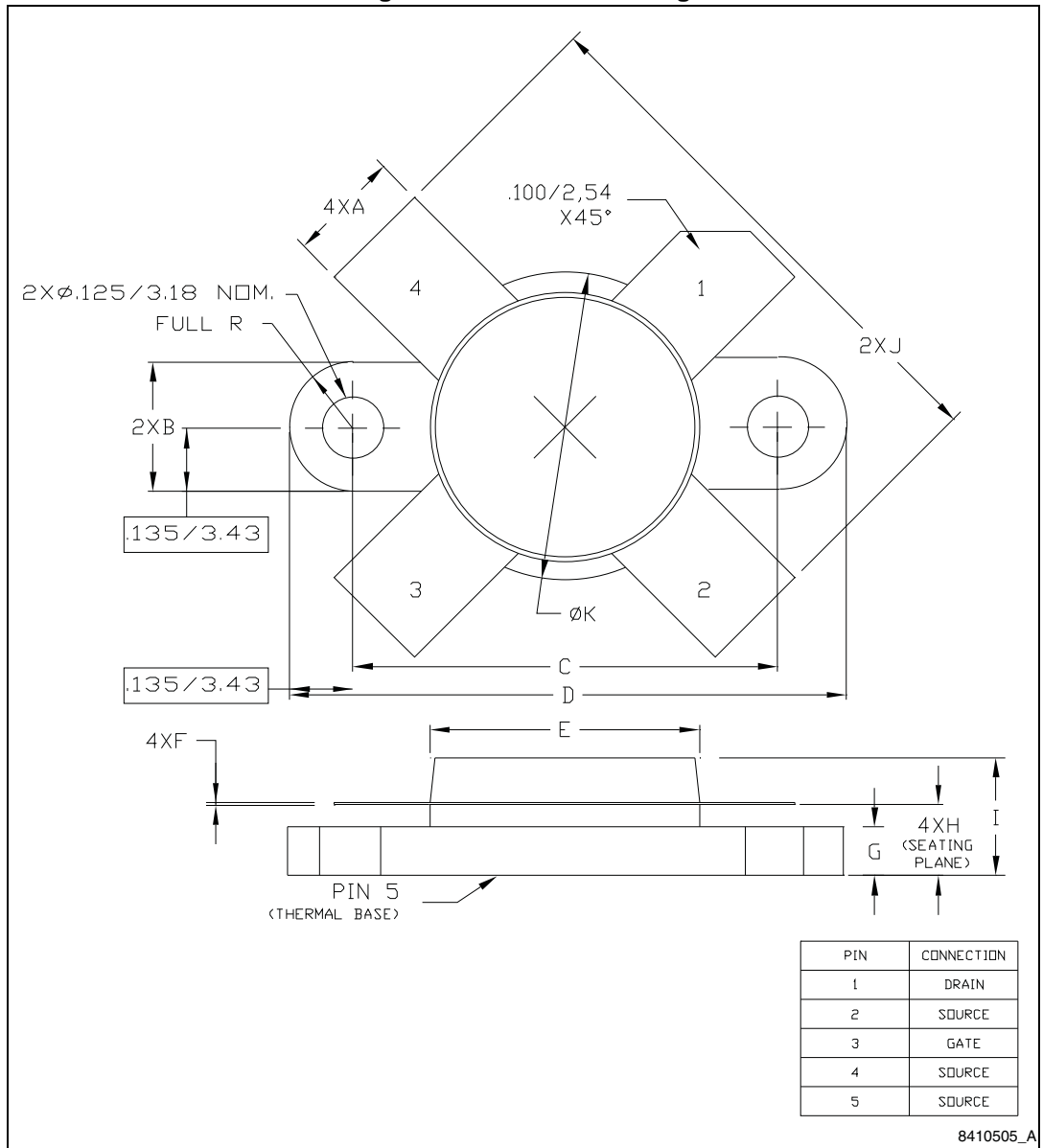
9 Package mechanical data

In order to meet environmental requirements, ST offers these devices in different grades of ECOPACK[®] packages, depending on their level of environmental compliance. ECOPACK[®] specifications, grade definitions and product status are available at: www.st.com. ECOPACK[®] is an ST trademark.

Table 12. M177MR mechanical data

| Dim. | mm | | |
|------|-------|------|-------|
| | Min. | Typ. | Max. |
| A | 5.72 | | 5.97 |
| B | 6.73 | | 6.99 |
| C | 21.84 | | 22.10 |
| D | 28.70 | | 28.96 |
| E | 13.34 | | 14.10 |
| F | 0.08 | | 0.18 |
| G | 2.49 | | 2.74 |
| H | 3.81 | | 4.32 |
| I | | | 7.87 |
| J | 27.43 | | 28.45 |
| K | 15.88 | | 16.13 |

Figure 16. M177MR drawing



8410505_A

10 Revision history

Table 13. Document revision history

| Date | Revision | Changes |
|-------------|----------|--|
| 13-Sep-2012 | 1 | Initial release. |
| 22-May-2013 | 2 | Modified: I _{GSS} value in <i>Table 4: Static</i> |
| 09-May-2017 | 3 | Document status promoted from preliminary to production data. Updated <i>Table 4: Static</i> and <i>Table 9: V_{GS}/G_{FS} sorts</i> . Minor text changes. |

IMPORTANT NOTICE – PLEASE READ CAREFULLY

STMicroelectronics NV and its subsidiaries ("ST") reserve the right to make changes, corrections, enhancements, modifications, and improvements to ST products and/or to this document at any time without notice. Purchasers should obtain the latest relevant information on ST products before placing orders. ST products are sold pursuant to ST's terms and conditions of sale in place at the time of order acknowledgement.

Purchasers are solely responsible for the choice, selection, and use of ST products and ST assumes no liability for application assistance or the design of Purchasers' products.

No license, express or implied, to any intellectual property right is granted by ST herein.

Resale of ST products with provisions different from the information set forth herein shall void any warranty granted by ST for such product.

ST and the ST logo are trademarks of ST. All other product or service names are the property of their respective owners.

Information in this document supersedes and replaces information previously supplied in any prior versions of this document.

© 2017 STMicroelectronics – All rights reserved

X-ON Electronics

Largest Supplier of Electrical and Electronic Components

Click to view similar products for [RF MOSFET Transistors](#) category:

Click to view products by [STMicroelectronics](#) manufacturer:

Other Similar products are found below :

[MRF492](#) [MRFE8VP8600HR5](#) [ARF1511](#) [ARF465BG](#) [BF 2030 E6814](#) [BLF861A](#) [MRF150J](#) [DU1215S](#) [DU28200M](#) [UF28100M](#) [DU2820S](#)
[MHT1008NT1](#) [MMRF1014NT1](#) [MRF426](#) [ARF468BG](#) [MAPHST0045](#) [MRFE6VP61K25NR6](#) [DU2860U](#) [VRF152GMP](#) [MRFE6VP5300NR1](#)
[BF2040E6814HTSA1](#) [MRFE6VP5150GNR1](#) [LET9060S](#) [MRF136Y](#) [BF999E6327HTSA1](#) [SD2931-12MR](#) [BF998E6327HTSA1](#)
[AFV10700HR5](#) [MRF141](#) [MRF171](#) [MRF172](#) [MRF174](#) [QPD1020SR](#) [BF 1005S E6327](#) [MRF134](#) [MRF136](#) [MRF137](#) [MRF141G](#) [MRF151](#)
[MRF151A](#) [MRF151G](#) [MRF157](#) [MRF158](#) [MRF160](#) [MRF171A](#) [MRF173](#) [MRF177](#) [UF2840G](#) [TGF3021-SM](#) [ARF1510](#)