

**Bluetooth® Classic module**

Datasheet - production data

**Features**

- Bluetooth radio
  - Fully embedded Bluetooth® v3.0 with SPP and HID profiles
  - Class 1 module
  - Enhanced Data Rate (EDR) support
  - Complete RF-ready module
- Embedded support for MFi iAP2 profile
- 128-bit encryption security
- Integrated antenna
- ST Cortex-M4 microprocessor
  - Up to 100 MHz
  - 512 KB Flash
  - 128 KB RAM
- Supports transmission speed with SPP up to 1500 Kbit/s
- 14 general-purpose I/Os
- User interface
  - AT command Data Package (DP)
  - Firmware upgrade over UART
- EU, FCC, IC and Bluetooth qualified
- Single voltage supply: 3.3 V typical
- Small form factor: 15.24 x 26.9 x 2.9 mm
- Operating temperature range: -40 °C to 85 °C

**Contents**

**1 Description..... 6**

**2 RoHS compliance ..... 7**

**3 Applications..... 8**

**4 Software architecture ..... 9**

    4.1 BT stack layers..... 9

    4.2 Supported profile..... 10

    4.3 AT command set: Data Package..... 10

**5 Module block diagram..... 11**

**6 Hardware specifications ..... 12**

    6.1 Recommended operating conditions..... 12

    6.2 Radio features..... 12

    6.3 Absolute maximum ratings ..... 12

    6.4 Current consumption..... 12

    6.5 I/O operating characteristics..... 13

    6.6 Pin assignment..... 14

**7 Package information ..... 16**

    7.1 RF module package information ..... 17

**8 Hardware design ..... 19**

    8.1 Reflow soldering..... 19

    8.2 UART interface..... 20

    8.3 GPIO interface ..... 21

    8.4 Reset circuit ..... 22

        8.4.1 Simple external reset circuit ..... 22

        8.4.2 Host controlled reset circuit ..... 22

    8.5 MFi co-processor interface..... 23

    8.6 PCB layout guidelines ..... 24

**9 Firmware upgrade ..... 26**

    9.1 Enter bootloader mode..... 26

    9.2 Transfer the new firmware ..... 26

    9.3 Exit bootloader mode ..... 26

**10 Regulatory compliance ..... 27**

    10.1 FCC certification..... 27



---

10.1.1	FCC labeling instructions.....	27
10.1.2	Product manual instructions for FCC compliance .....	28
10.2	IC certification .....	28
10.2.1	IC labeling instructions .....	29
10.2.2	Product manual instructions for IC compliance .....	29
10.3	Bluetooth certification .....	30
10.4	CE certification .....	30
<b>11</b>	<b>Traceability .....</b>	<b>32</b>
<b>12</b>	<b>Ordering information.....</b>	<b>33</b>
<b>13</b>	<b>Revision history .....</b>	<b>34</b>

## List of tables

Table 1: Recommended operating conditions .....	12
Table 2: Radio features.....	12
Table 3: Absolute maximum ratings .....	12
Table 4: Power consumption .....	13
Table 5: I/O operating characteristics .....	13
Table 6: Pin assignment .....	14
Table 7: Soldering.....	19
Table 8: Traceability information.....	32
Table 9: Ordering information .....	33
Table 10: Document revision history .....	34

## List of figures

Figure 1: Software architecture overview .....	9
Figure 2: SPBT3.0DP1 block diagram .....	11
Figure 3: Pin assignment .....	14
Figure 4: RF module package outline (dimensions in mm) .....	17
Figure 5: Recommended land (top view) pattern (dimensions in mm) .....	18
Figure 6: Soldering profile .....	20
Figure 7: Connection to host device .....	20
Figure 8: Typical RS232 circuit .....	21
Figure 9: Simple external reset circuit .....	22
Figure 10: Host controlled reset circuit .....	22
Figure 11: SPBT3.0DP2 to MFi coprocessor interconnections .....	24
Figure 12: Power supply capacitors .....	25
Figure 13: CE marking .....	31

# 1 Description

The SPBT3.0DP1 is an easy-to-use Bluetooth module that is compliant with Bluetooth v3.0.

The module has among the smallest form factors available in a complete Class 1 RF platform. The SPBT3.0DP1 enables electronic devices with wireless connectivity, requiring no RF experience or expertise to integrate into the final product. As a certified solution, the SPBT3.0DP1 module optimizes time-to-market for end-applications.

The module is designed for maximum performance in a minimal space including high speed UART and 14 general purpose I/O lines, and up to 1500 kbps transmission speed with SPP service active and 1000 kbps with iAP2 service active.

Its optimized design allows the integration of a complete working Bluetooth modem, including antenna, in the smallest possible size.

Deep Sleep mode reduces power consumption when a Bluetooth connection is not established.

The SPBT3.0DP1 is a surface-mount PCB module that provides fully embedded, ready-to-use Bluetooth wireless technology. The reprogrammable Flash memory contains embedded firmware for serial cable replacement using the Bluetooth SPP profile. Embedded Bluetooth Data Package (DP) firmware provides a user-friendly interface, offering simple control for cable replacement and enabling communication with most Bluetooth-enabled devices that support the SPP profile. The SPBT3.0DP1 supports the iAP2 profile, allowing communication with the newest Apple® iOS Bluetooth-enabled devices.

An Apple authentication IC is required to exchange data with an Apple device or access an Apple device application. The DP FW includes a Bluetooth iAP2 profile capable of recognizing the Apple authentication chip.

Customers using the Apple authentication IC must register as developers to become an Apple certified MFi member. License fees may apply. For additional information, please visit the Apple developer website.

Certified MFi developers developing electronic accessories that connect to the iPod®, iPhone® and iPad®, gain access to technical documentation, hardware components, technical support and certification logos.

Customized firmware for peripheral device interaction, power optimization, security, and other proprietary features may be supported and can be ordered pre-loaded and configured.

## 2 RoHS compliance

ST Bluetooth modules comply with the ECOPACK2 level of RoHS compliance.

### 3 Applications

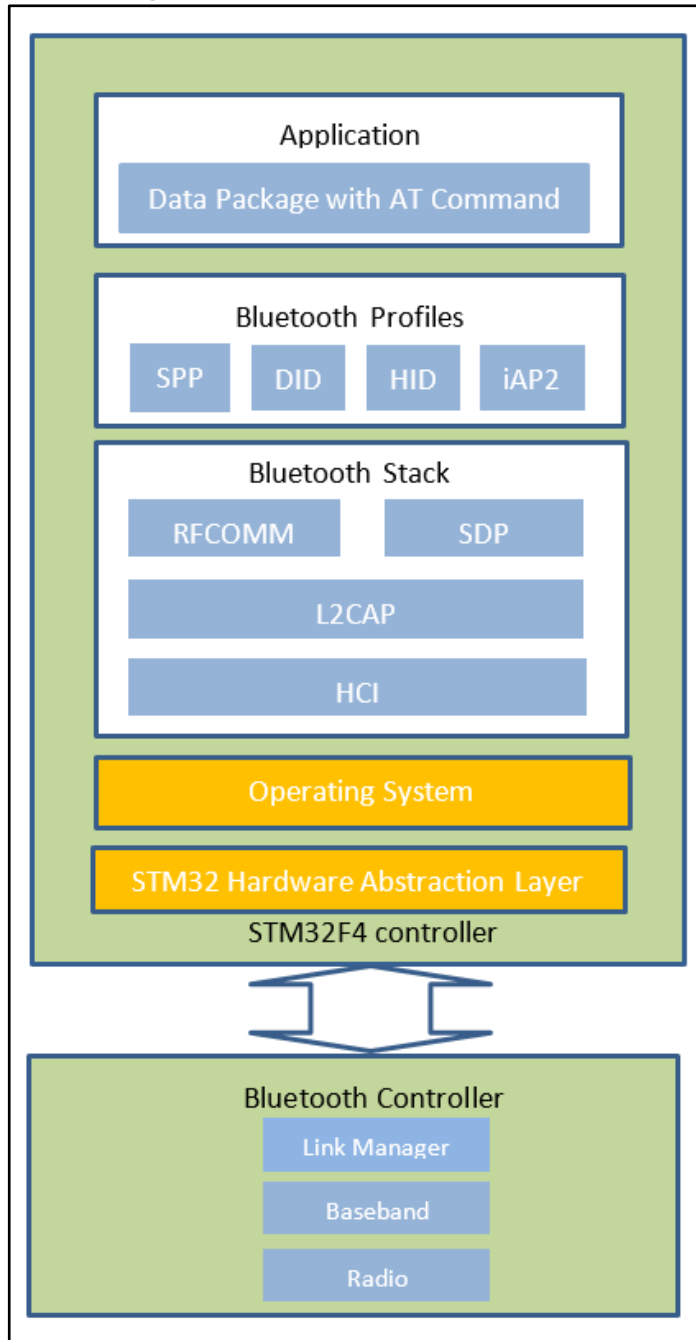
The SPBT3.0DP1 is suitable for a wide range of applications, such as:

- Serial cable replacement
- M2M industrial control
- Service diagnostics
- Data acquisition equipment
- Machine control
- Sensor monitoring
- Security systems
- Mobile health



## 4 Software architecture

Figure 1: Software architecture overview



### 4.1 BT stack layers

- Bluetooth v3.0
- Device power modes: active, deep sleep
- Connection modes: active, sniff
- Wake on Bluetooth feature optimizes power consumption of host CPU

- Authentication and encryption
- Encryption key length from 8 bits to 128 bits
- Secure simple pairing support
- Persistent Flash memory for BD address and user parameter storage
- All ACL (asynchronous connection-less) packet types
- Master/slave switch supported during connection and post connection
- Dedicated inquiry access code for improved inquiry scan performance
- Dynamic packet selection channel quality-driven data rate to optimize link performance
- Dynamic power control
- Bluetooth radio natively supports 802.11b co-existence AFH
- RFCOMM, SDP, and L2CAP protocols supported

## 4.2 Supported profile

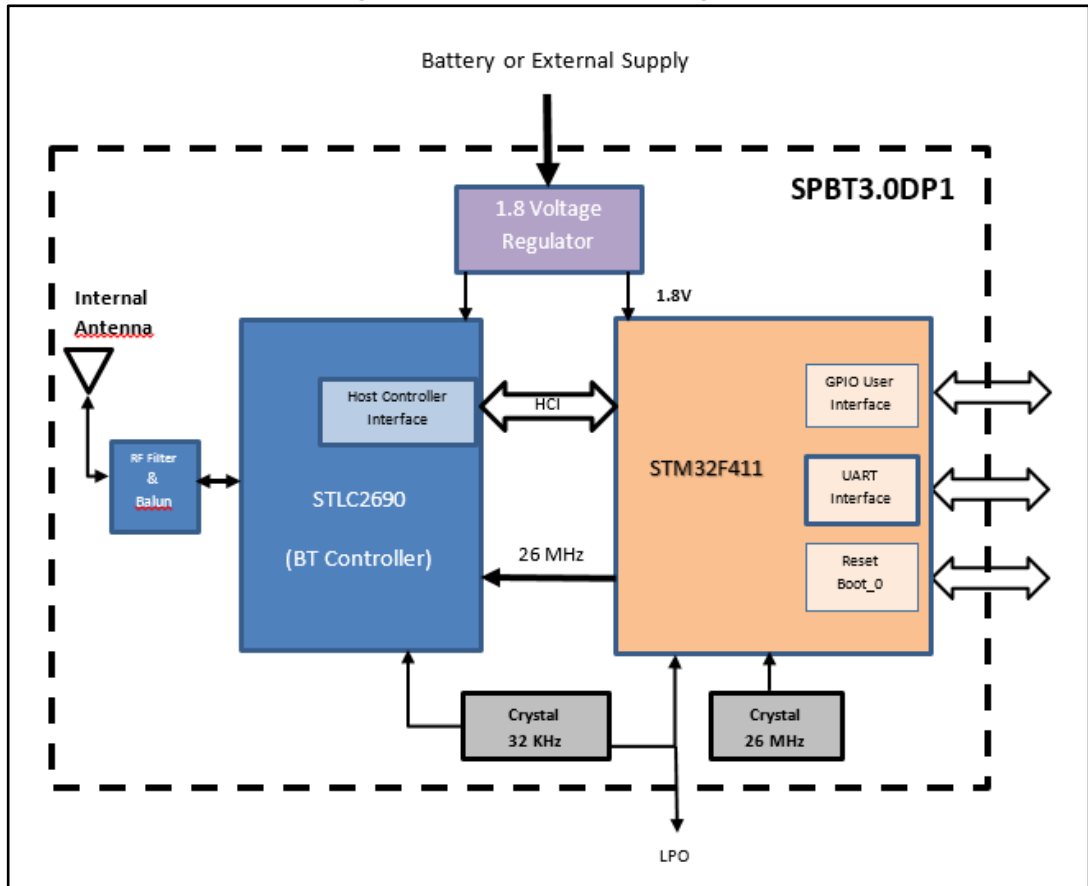
- Serial port profile (SPP)
- Human interface device (HID)
- iPhone accessory profile 2 (iAP2)
- Device identification profile (DID)

## 4.3 AT command set: Data Package

The complete command list is available in user manual UM2077 SPBT3.0DPx data package, which you can download from [www.st.com](http://www.st.com).

## 5 Module block diagram

Figure 2: SPBT3.0DP1 block diagram



## 6 Hardware specifications

General conditions ( $V_{IN} = 3.3\text{ V}$  and  $25\text{ °C}$ ).

### 6.1 Recommended operating conditions

Table 1: Recommended operating conditions

Rating	Min.	Typical	Max.	Unit
Operating temperature range	- 40	-	+8 5	°C
Supply voltage $V_{IN}$	2.1	3.3	3.6	V
Signal pin voltage	-	1.8	-	V

### 6.2 Radio features

Table 2: Radio features

Feature	Min.	Typical	Max.	Unit
Bluetooth version	-	3.0	-	
Bluetooth class	-	1	-	
Radiated transmit power	-	-	10.77	dBm
Receiver sensitivity	-	-88	-	dBm
RF frequency	2402	-	2480	MHz

### 6.3 Absolute maximum ratings

Table 3: Absolute maximum ratings

Rating	Min.	Typical	Max.	Unit
Storage temperature range	-40	-	+85	°C
Supply voltage, $V_{IN}$	-0.3	-	+5.5	V
I/O pin voltage, $V_{IO}$	-0.3	+1.8	+2.1 <sup>(1)</sup>	V

**Notes:**

<sup>(1)</sup> for pins not 5 V tolerant

### 6.4 Current consumption

Test conditions:

- Configuration variable: default
- Temperature:  $25\text{ °C}$

Table 4: Power consumption

Modes (typical power consumption)	Typical	Unit
No connection, Page/Inquiry Scan, Deep Sleep Mode	1.5	mA
No connection, Page/Inquiry Scan, Active Mode	9	mA
Connection, no data traffic, Active Mode	12	mA
Connection, no data traffic, Sniff Mode	9.5	mA
Connection, 450 Kbps tx rx data , Active mode	26 <sup>(1)</sup>	mA

**Notes:**

<sup>(1)</sup>Peak current during transmission: 80 mA.

## 6.5 I/O operating characteristics

Table 5: I/O operating characteristics

Symbol	Parameter	Min.	Max.	Unit	Conditions
V <sub>IL</sub>	Low-level input voltage	-	0.5	V	V <sub>IN</sub> , 3.3 V
V <sub>IH</sub>	High-level input voltage	1.3	-	V	V <sub>IN</sub> , 3.3 V
V <sub>OL</sub>	Low-level output voltage	-	0.5	V	V <sub>IN</sub> , 3.3 V
V <sub>OH</sub>	High-level output voltage	1.4	-	V	V <sub>IN</sub> , 3.3 V
I <sub>OL</sub>	Low-level output current	-	4 <sup>(1)</sup>	mA	V <sub>OL</sub> = 0.4 V
I <sub>OH</sub>	High-level output current	-	4 <sup>(1)</sup>	mA	V <sub>OH</sub> = 1.8 V
R <sub>PU</sub>	Pull-up resistor	30	50	kΩ	Resistor turned on <sup>(2)</sup>
R <sub>PD</sub>	Pull-down resistor	30	50	kΩ	Resistor turned on <sup>(2)</sup>

**Notes:**

<sup>(1)</sup>GPIO14 max sunk or sourced current is limited to 3mA. The speed should not exceed 2 MHz with a maximum load of 30 pF. This I/O must not be used as a current source (e.g. to drive an LED).

<sup>(2)</sup>Normally not used. Firmware dependent.

## 6.6 Pin assignment

Figure 3: Pin assignment

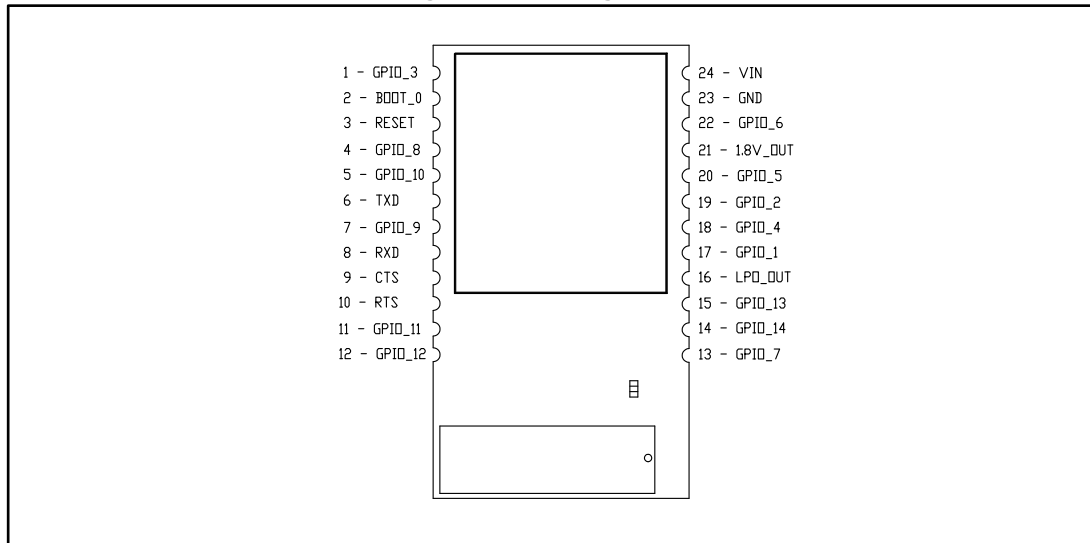


Table 6: Pin assignment

Pin	Name	Description	I/O	Notes
1	GPIO_3	General purpose I/O	I/O	5 V tolerant
2	BOOT_0	Boot pin	I	Internal 10K pull-down
3	RESET	Reset input (active low for 5 ms)	I	
4	GPIO_8	General purpose I/O	I/O	5 V tolerant
5	GPIO_10	General purpose I/O	I/O	5 V tolerant
6	TXD	Transmit Data	O	5 V tolerant
7	GPIO_9	General purpose I/O	I/O	5 V tolerant
8	RXD	Receive Data	I	5 V tolerant
9	CTS	Clear to send (active low)	I	5 V tolerant
10	RTS	Request to send (active low)	O	5 V tolerant
11	GPIO_11	I2C_SCL line for MFi chip or General purpose I/O	I/O	5 V tolerant
12	GPIO_12	I2C_SDA line for MFi chip or General purpose I/O	I/O	5 V tolerant
13	GPIO_7	General purpose I/O	I/O	5 V tolerant
14	GPIO_14	General purpose I/O	I/O	5 V tolerant
15	GPIO_13	General purpose I/O	I/O	5 V tolerant
16	LPO_OUT	Low power 32KHz oscillator output	O	
17	GPIO_1	GPIO indicating BT Connection Status <ul style="list-style-type: none"> <li>1: BT connection is active</li> <li>0: BT connection is not active</li> </ul>	O	5 V tolerant

Pin	Name	Description	I/O	Notes
18	GPIO_4	GPIO indicating Module Power Status <ul style="list-style-type: none"><li>• 1: active mode</li><li>• 0: Deep Sleep Mode</li></ul>	O	5 V tolerant
19	GPIO_2	General purpose I/O	I/O	
20	GPIO_5	General purpose I/O	I/O	
21	1.8V_OUT	+1.8V out (max 10mA)		
22	GPIO_6	General purpose I/O	I/O	5 V tolerant
23	GND	Reference ground		
24	VIN	Main power supply input		



Some GPIOs can be configured with alternate functions. For details refer to the AT Command Data Package user manual.

## 7 Package information

In order to meet environmental requirements, ST offers these devices in different grades of ECOPACK® packages, depending on their level of environmental compliance. ECOPACK® specifications, grade definitions and product status are available at: [www.st.com](http://www.st.com). ECOPACK® is an ST trademark.



### 7.1 RF module package information

Figure 4: RF module package outline (dimensions in mm)

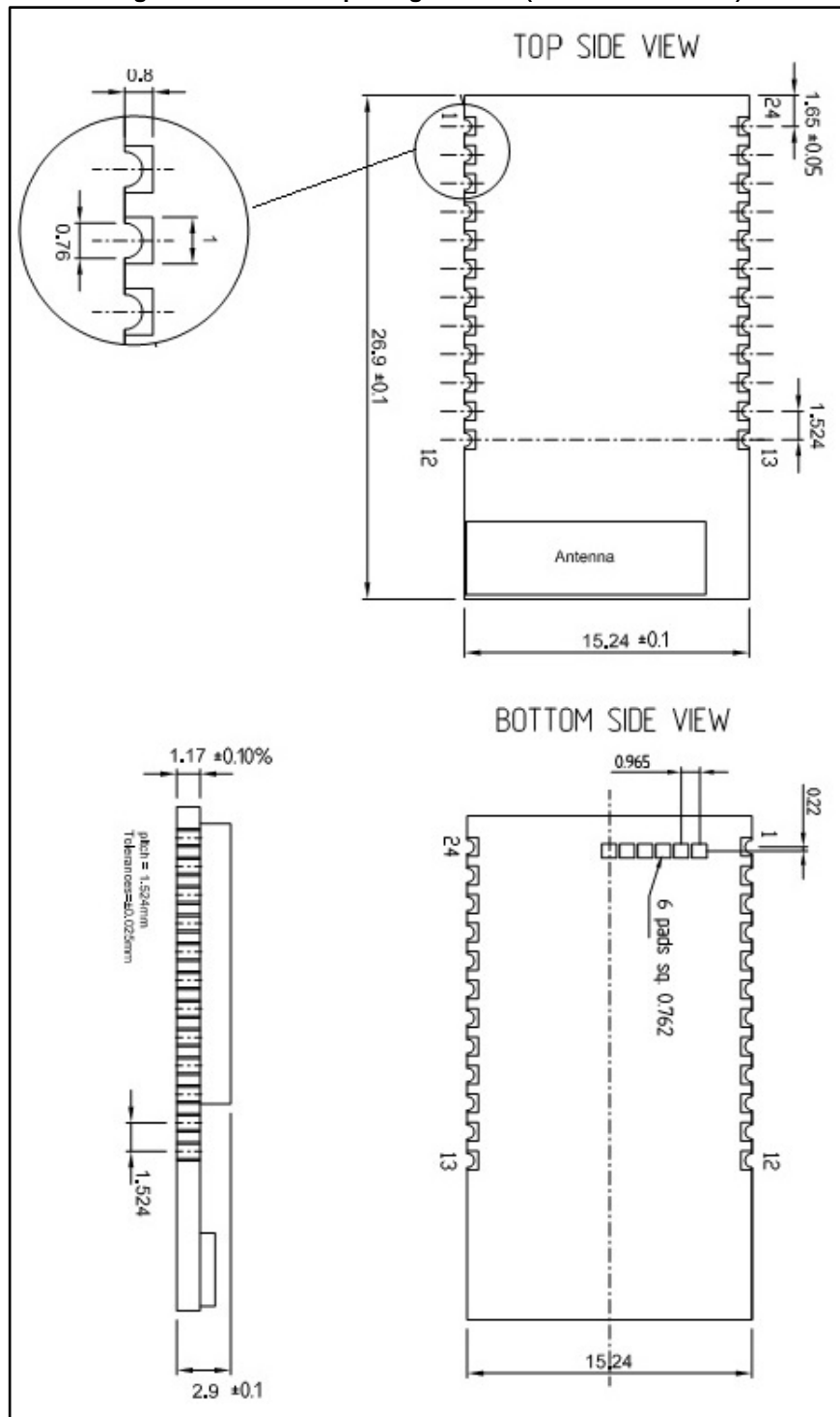
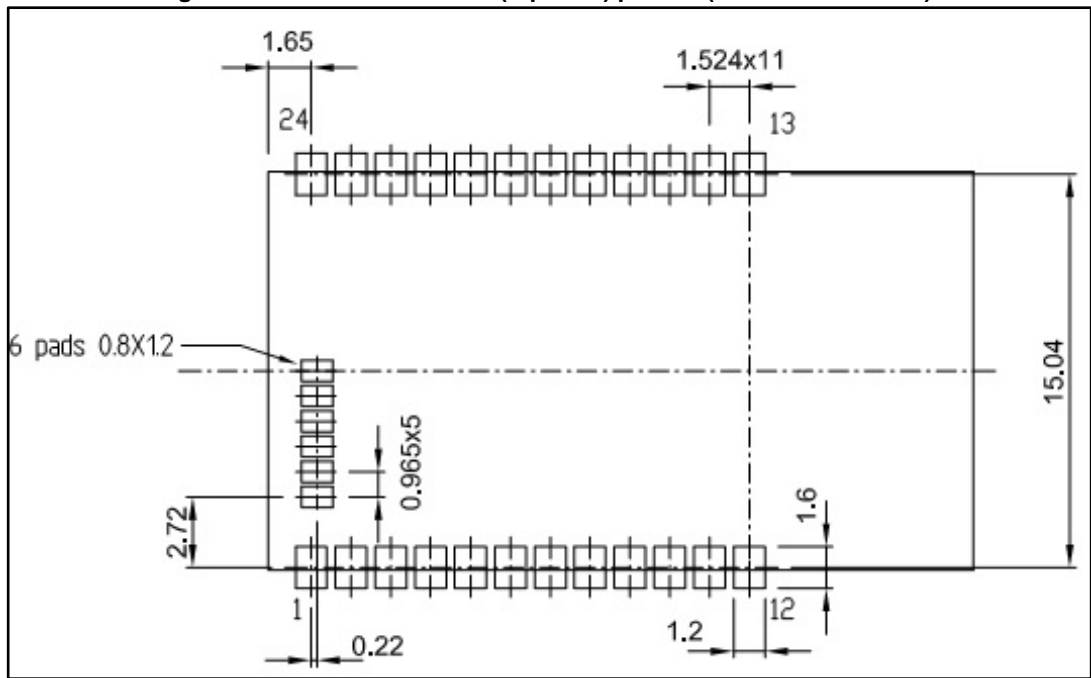


Figure 5: Recommended land (top view) pattern (dimensions in mm)



## 8 Hardware design

The SPBT3.0DP1 module with Data Package embedded firmware supports UART, I<sup>2</sup>C and GPIO hardware interfaces.

**Note:**

- All unused pins (including the additional 6 pads on bottom side) should be left floating; do not ground.
- All GND pins must be well grounded.
- The area around the module should be free of any ground planes, power planes, trace routings, or metal for 6 mm from the module antenna position, in all directions.
- Traces should not be routed under the module.

### 8.1 Reflow soldering

The SPBT3.0DP1 is a high temperature-strength surface-mount Bluetooth module supplied on a PCB with the following characteristics: 24-pin, 6-layer . The recommended final assembly reflow profiles are indicated below.

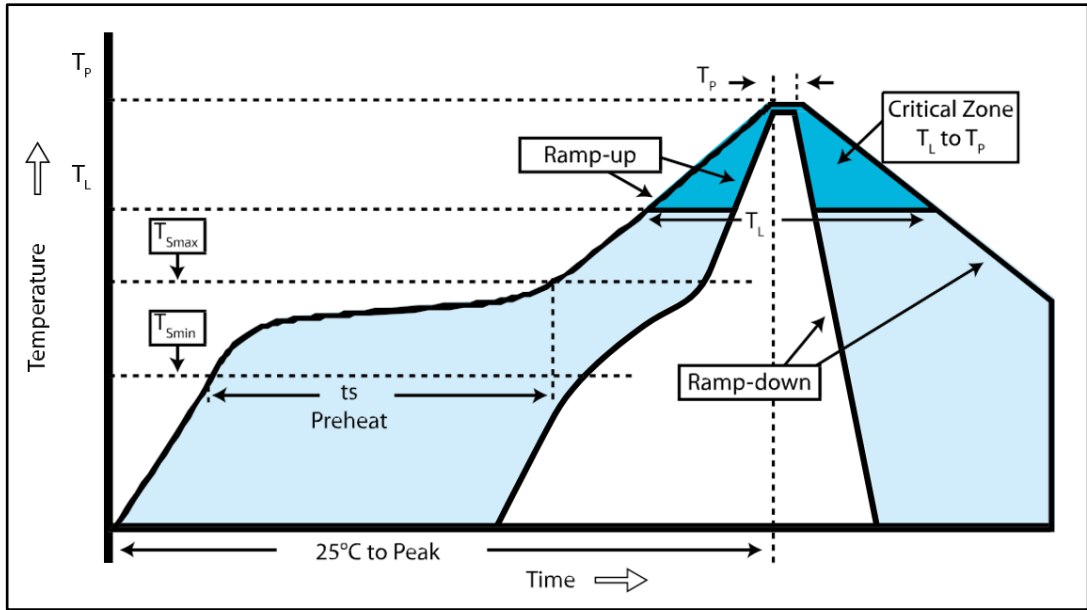
The soldering phase must be executed with care. To prevent undesired melting, particular attention must be paid to the setup of the peak temperature.

The following soldering indications are based on temperature profile recommendations.

**Table 7: Soldering**

Profile feature	PB-free assembly
Average ramp-up rate ( $T_{S_{MAX}}$ to $T_P$ )	3 °C/sec max
Preheat: – Temperature min. ( $T_S$ min.) – Temperature max. ( $T_S$ max.) – Time ( $t_s$ min. to $t_s$ max.)( $t_s$ )	150 °C 200 °C 60-100 sec
Time maintained above: – Temperature $T_L$ – Temperature $T_L$	217 °C 60-70 sec
Peak temperature ( $T_P$ )	240 + 0 °C
Time within 5 °C of actual peak temperature ( $T_P$ )	10-20 sec
Ramp-down rate	6 °C/sec
Time from 25 °C to peak temperature	8 minutes max.

Figure 6: Soldering profile



### 8.2 UART interface

The UART is compatible with the 16550 industry standard. Four signals are provided with the UART interface. The TXD and RXD pins are used for data, while the CTS and RTS pins are used for flow control.

Figure 7: Connection to host device

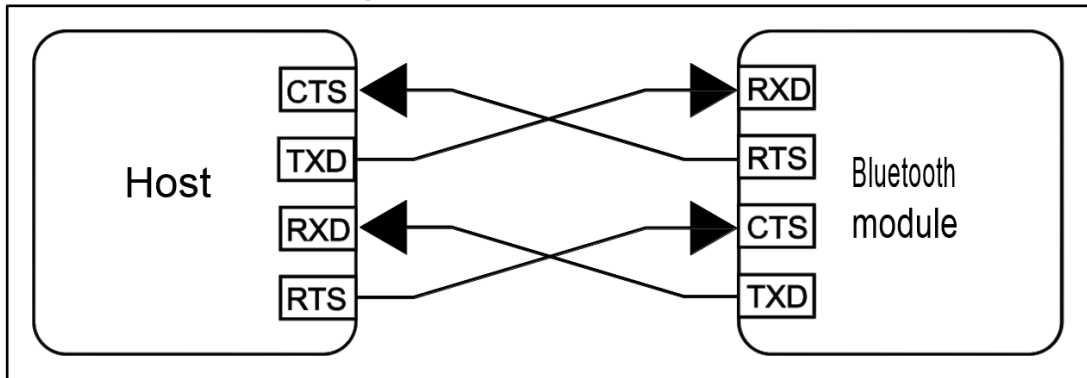
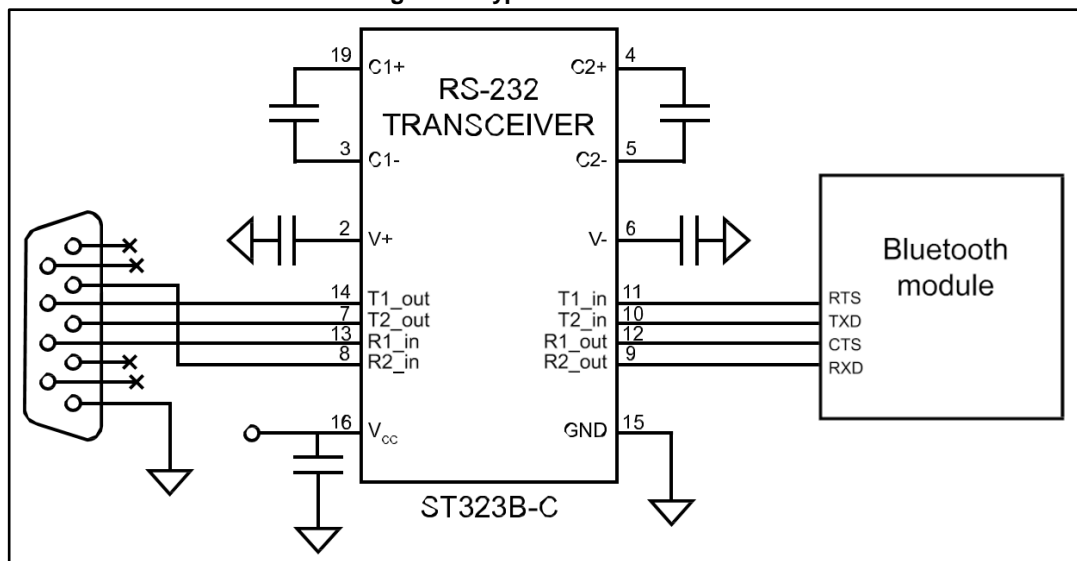


Figure 8: Typical RS232 circuit



### 8.3 GPIO interface

Module GPIO configuration depends on the Data Package embedded firmware.

By default the GPIO1, GPIO4, GPIO11 and GPIO12 have specific functions. The remaining GPIOs are available to the HOST processor that can configure them as GPIO or as alternate function ( GPIO\_HostModeSel, GPIO\_HostModeInd, GPIO\_HostWakeUp, GPIO\_FactoryReset .)

GPIO1: Bluetooth Connection Status

- 0: BT connection not present
- 1: BT connection is present

GPIO4: Module Power Status:

- 1: module is in Active Mode
- Blinking: module is in Deep Sleep Mode

GPIO11: I<sup>2</sup>C SCL pin to be connected to MFi co-processor. External pull-up resistor is needed. It can be used as GPIO if MFi chip is not used.

GPIO12: I<sup>2</sup>C SDA pin to be connected to MFi co-processor. External pull-up resistor is needed. It can be used as GPIO if MFi chip is not used.

Pins used as generic GPIO can be handled by the HOST processor using the following commands:

- AT+AB GPIOConfig [GPIO pin] [I/O]
- AT+AB GPIORead [GPIO pin]
- AT+AB GPIOWrite [GPIO pin] [1/0]

For more details about GPIOs alternate functions refer to the AT Command Data Package user manual.

All GPIOs are capable of sinking and sourcing 4 mA of I/O current. (except GPIO14) (see note in [Table 5: "I/O operating characteristics"](#)).

### 8.4 Reset circuit

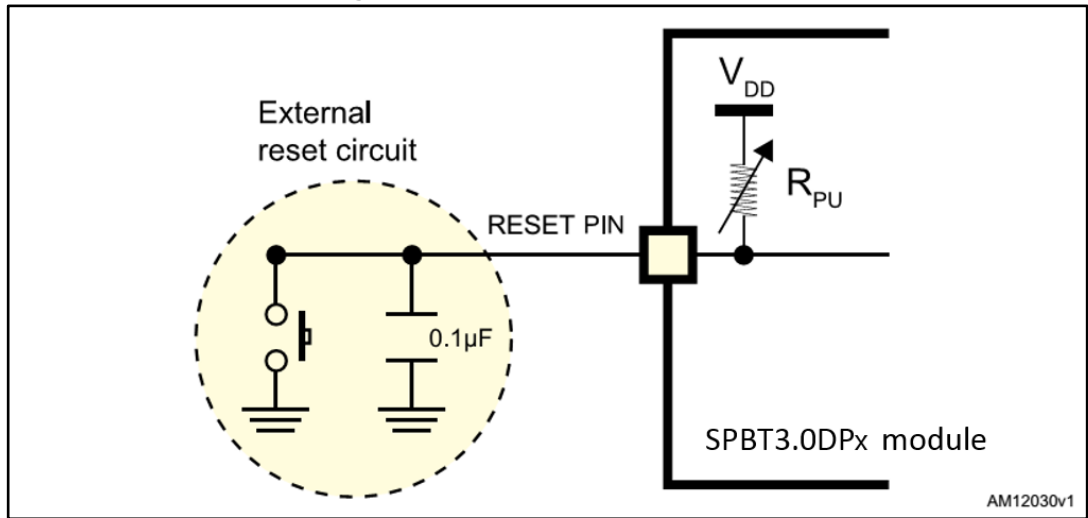
Two types of system reset circuits are detailed below.

The maximum voltage that can be supplied to the RESET pin is 3.6V, but it is suggested to use 1.8V  $V_{DD}$  voltage, as there is an internal pull-up resistor to  $V_{DD}$ . As shown in [Figure 9: "Simple external reset circuit"](#) and [Figure 10: "Host controlled reset circuit"](#) the RESET is active low, in the absence of a reset circuit the pin is internally pulled up and therefore inactive.

#### 8.4.1 Simple external reset circuit

The figure below shows a simple push-button reset circuit.

Figure 9: Simple external reset circuit

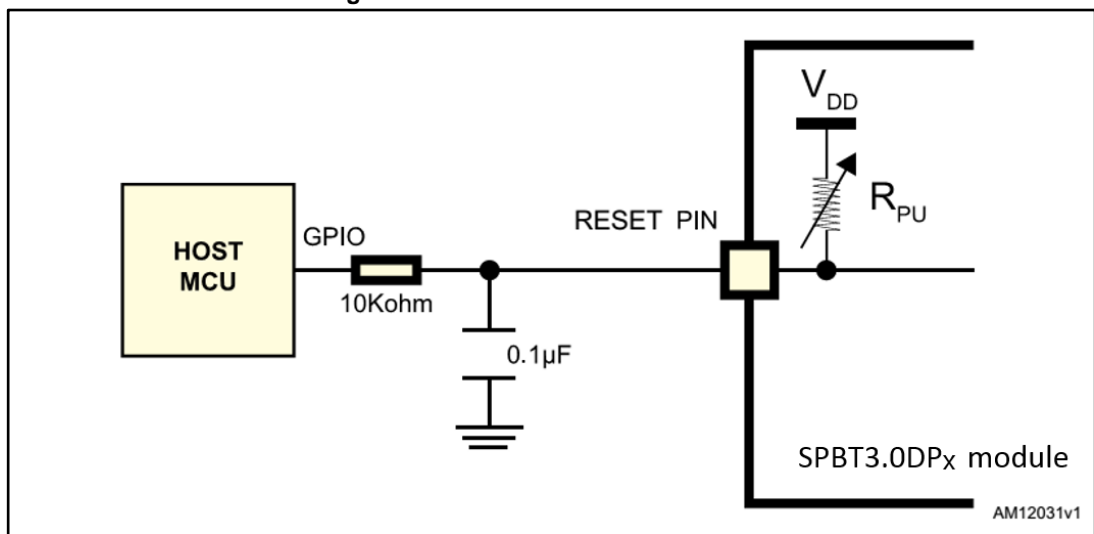


**Note:** RPU ranges from 30 kΩ to 50 kΩ internally provided.

#### 8.4.2 Host controlled reset circuit

The figure below shows a typical host controlled reset circuit.

Figure 10: Host controlled reset circuit



**Note:**

- RPU ranges from 30 k $\Omega$  to 50 k $\Omega$  internally.
- The host reset resistor should be from 1 k $\Omega$  to 10 k $\Omega$

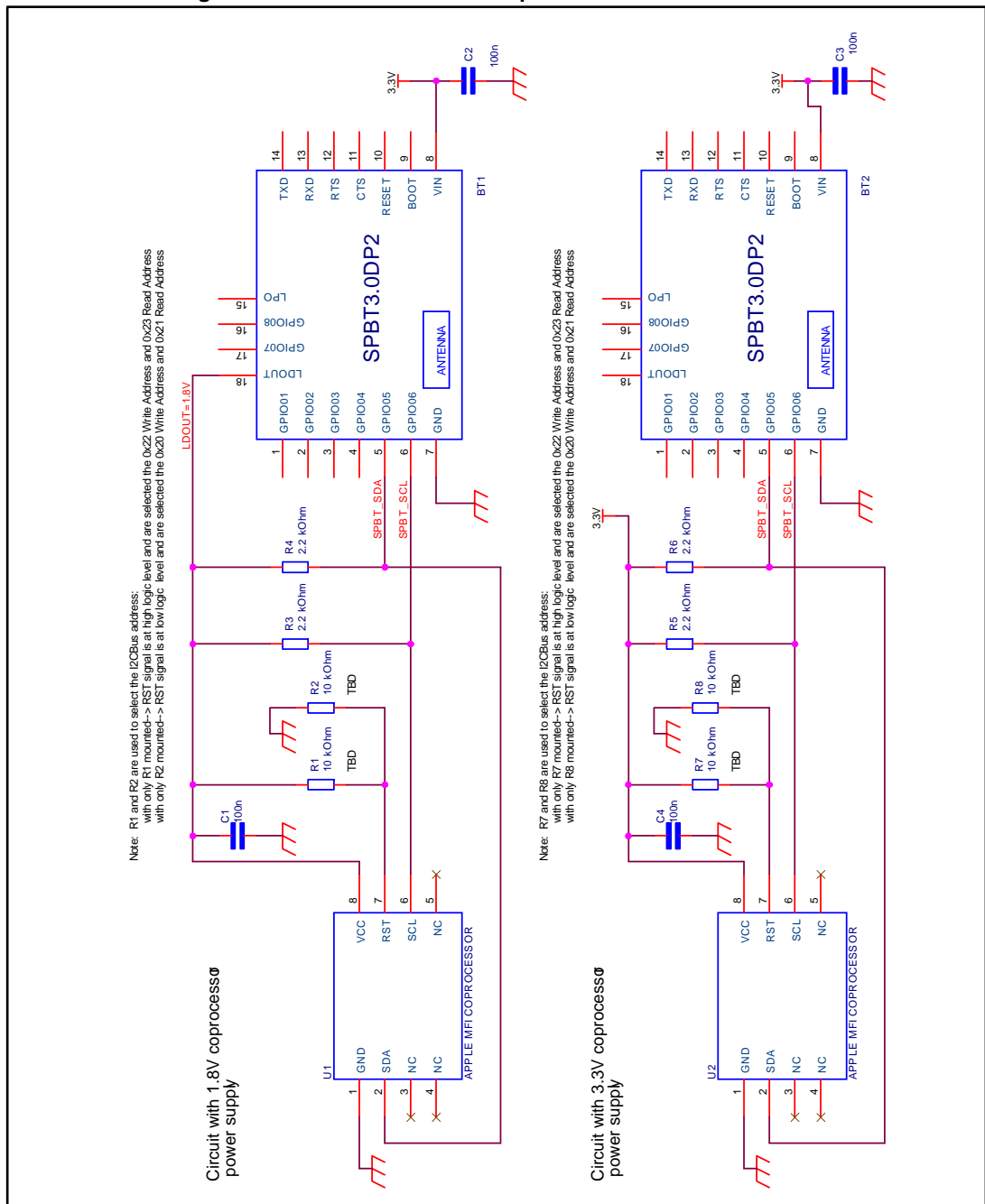
## 8.5 MFi co-processor interface

A specific MFi co-processor is needed to enable iAP2 profile for connection with Apple devices. The MFi co-processor component details are available for licensed MFi developers from the MFi program.

The MFi co-processor can be connected to the module through the I2C pins. External pull-up resistors are needed on both lines.

The Data Package firmware handles the communication with the MFi co-processor.

Figure 11: SPBT3.0DP2 to MFi coprocessor interconnections



## 8.6 PCB layout guidelines

The SPBT3.0DP1 module require proper placement on PCB to ensure optimal performance. The antenna on the PCB has an omnidirectional radiation pattern. To maximize antenna efficiency, an adequate grounding plane must be provided under the module, respecting the distance for the antenna clearance.

The position of the module on the host board and overall design of the product enclosure contributes to the antenna performance. Poor design can limit the antenna radiation

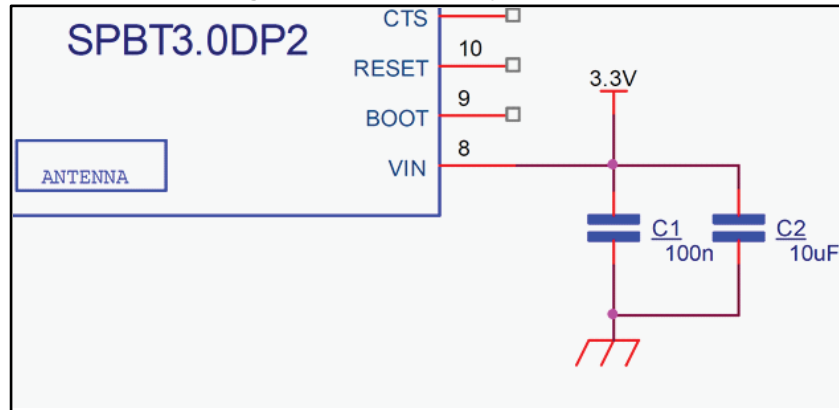


patterns and can result in reflection, diffraction, and/or scattering of the transmitted signal thus limiting the useful operating range.

Basic guidelines:

- Never place the ground plane or route copper traces directly underneath the antenna portion of the module
- Keep a 6 mm clear zone surrounding the antenna (no ground planes, no traces)
- Never place the antenna close to metallic objects
- Keep wiring, components and objects away from antenna
- Do not place the antenna in a metallic or metalized plastic enclosure
- Enclosure walls should be 20 mm or more away from the antenna in all directions
- If possible, mount antenna overhanging the edge of the host board
- Place power supply capacitors very close to VIN pin, with minimum values shown in following figure

Figure 12: Power supply capacitors



## 9 Firmware upgrade

Bluetooth is a consolidated and well known standard, anyhow interoperability issues may arise whenever a new version of an operating system (Android, Windows, Linux, iOS, etc.) appear on the market. Bug fixes and new features may also become available.

The SPBT3.0DP1 Data Package firmware has been designed to be upgradable via UART interface.

It is recommended to support the firmware update procedure in order to always get the benefit of latest firmware versions.

ST may update the FW provided with the modules at any time. ST recommends that users regularly check for documentation.

The SPBT3.0DP1 module leverages the STM32 built-in bootloader to load the new firmware. It is a three-step procedure:

1. Enter bootloader mode
2. Transfer the new firmware
3. Exit bootloader mode

### 9.1 Enter bootloader mode

To enter the Bootloader mode:

1. Set the BOOT pin to HIGH level
2. Reset the module:
  - a. Set the RESET pin to HIGH
  - b. Pause
  - c. Set the RESET pin to LOW

### 9.2 Transfer the new firmware

The specification of the protocol used in the STM32 bootloader to download the new firmware is described in the document:

[http://www.st.com/web/en/resource/technical/document/application\\_note/CD00264342.pdf](http://www.st.com/web/en/resource/technical/document/application_note/CD00264342.pdf)

A reference implementation of the STM32 bootloader protocol can be found at the following link:

<http://sourceforge.net/projects/stm32flash/>

The STM32 Flash loader demonstrator, a Windows GUI that implement that protocol can be downloaded at the following link:

<http://www.st.com/web/en/catalog/tools/PF257525>

### 9.3 Exit bootloader mode

To exit Bootloader mode:

1. Set the BOOT pin to LOW
2. Reset the module:
  - a. Set the RESET pin to HIGH
  - b. Pause
  - c. Set the RESET pin to LOW

## 10 Regulatory compliance

### 10.1 FCC certification

This module has been tested and found to comply with FCC part 15 rules. These limits are designed to provide reasonable protection against harmful interference in approved installations. This equipment generates, uses, and can radiate radio frequency energy and, if not installed and used in accordance with the instructions, may cause harmful interference to radio communications.

However, there is no guarantee that interference may not occur in any particular installation.

Operation is subject to the following two conditions:

1. This device may not cause harmful interference
2. this device must accept any interference received, including interference that may cause undesired operation. Modifications or changes to this equipment not expressly approved by STMicroelectronics may render void the user's authority to operate this equipment.

The safe user distance for RF exposure is  $\geq 5$  mm (in compliance with 447498 D01 General RF Exposure Guidance v06).

#### Modular approval

FCC ID: S9NSPBT30DP1

In accordance with FCC part 15, the SPBT3.0DP1 is listed as a modular transmitter device.

This module is evaluated for stand-alone use only. Finished products incorporating multiple transmitters must comply with collocation and RF exposure requirements in accordance with FCC multi-transmitter product procedures. Collocated transmitters operating in portable RF exposure conditions (e.g. <20 cm from persons including but not limited to body-worn and handheld devices) may require separate approval.

#### 10.1.1 FCC labeling instructions

When integrating the SPBT3.0DP1 into the final product, the OEM must ensure that the FCC labeling requirements are satisfied. A statement must be included on the exterior of the final product which indicates that the product includes a certified module. The label should state the following (or similar wording that conveys the same meaning):

Contains FCC ID: S9NSPBT30DP1

OR

This product contains FCC ID: S9NSPBT30DP1

The OEM must include the following statements on the exterior of the final product unless the product is too small (e.g. less than 4 x 4 inches) This device complies with Part 15 of the FCC Rules. Operation is subject to the following two conditions:

1. this device may not cause harmful interference
2. this device must accept any interference received, including any interference that may cause undesired operation.

### 10.1.2 Product manual instructions for FCC compliance

This section applies to OEM final products containing the SPBT3.0DP1 module, subject to FCC compliance. The final product manual must contain the following statement (or a similar statement that conveys the same meaning):

**Warning: Changes or modifications not expressly approved by the party responsible for compliance could void the user's authority to operate the equipment. (Part. 15.21)**

In the case where an OEM seeks Class B (residential) limits for the final product, the following statement must be included in the final product manual:

*Note: This equipment has been tested and found to comply with the limits for a Class B digital device, pursuant to part 15 of the FCC Rules. These limits are designed to provide reasonable protection against harmful interference in a residential installation. This equipment generates, uses and can radiate radio frequency energy and, if not installed and used in accordance with the instructions, may cause harmful interference to radio communications. However, there is no guarantee that interference will not occur in a particular installation. If this equipment does cause harmful interference to radio or television reception, which can be determined by turning the equipment off and on, the user is encouraged to try to correct the interference by one or more of the following measures:*

- *Reorient or relocate the receiving antenna.*
- *Increase the separation between the equipment and receiver.*
- *Connect the equipment into an outlet on a circuit different from that to which the receiver is connected.*
- *Consult the dealer or an experienced radio/TV technician for help.*

In cases where an OEM seeks the lesser category of a Class A digital device for the final product, the following statement must be included in the final product manual:

*Note: This equipment has been tested and found to comply with the limits for a Class A digital device, pursuant to part 15 of the FCC Rules. These limits are designed to provide reasonable protection against harmful interference when the equipment is operated in a commercial environment. This equipment generates, uses, and can radiate radio frequency energy and, if not installed and used in accordance with the instruction manual, may cause harmful interference to radio communications. Operation of this equipment in a residential area is likely to cause harmful interference in which case the user will be required to correct the interference at his expense.*

## 10.2 IC certification

The SPBT3.0DP1 module has been tested and found compliant with the IC RSS-210 rules. These limits are designed to provide reasonable protection against harmful interference in approved installations. This equipment generates, uses, and can radiate radio frequency energy and, if not installed and used in accordance with the instructions, may cause harmful interference to radio communications.

However, there is no guarantee that interference may not occur in any particular installation.

This device complies with RSS-210 of the IC rules. Operation is subject to the following two conditions:

1. this device may not cause harmful interference
2. this device must accept any interference received, including interference that may cause undesired operation.

Modifications or changes to this equipment not expressly approved by STMicroelectronics may render void the user's authority to operate this equipment.

The safe user distance for RF exposure is  $\geq 15$  mm (in compliance with RSS-102 Issue 5).

### Modular approval

IC: 8976C-SPBT301

In accordance with IC RSS-210, the SPBT3.0DP1 is listed as a modular transmitter device.

This module is evaluated for stand-alone use only. Finished products incorporating multiple transmitters must comply with collocation and RF exposure requirements in accordance with IC multi-transmitter product procedures. Collocated transmitters operating in portable RF exposure conditions (e.g.  $<20$  cm from persons including but not limited to body-worn and handheld devices) may require separate approval.

## 10.2.1 IC labeling instructions

When integrating the SPBT3.0DP1 into the final product, the OEM must ensure that the IC labeling requirements are satisfied. A statement must be included on the exterior of the final product which indicates that the product includes a certified module. The label should state the following (or similar wording that conveys the same meaning):

Contains IC: 8976C-SPBT301

OR

This product contains IC: : 8976C-SPBT301

The OEM must include the following statements on the exterior of the final product unless the product is too small (e.g. less than 4 x 4 inches):

This device complies with RSS-210 of the IC Rules. Operation is subject to the following two conditions:

1. this device may not cause harmful interference
2. this device must accept any interference received, including any interference that may cause undesired operation.

## 10.2.2 Product manual instructions for IC compliance

This section applies to OEM final products containing the SPBT3.0DP1 module, subject to IC compliance. The final product manual must contain the following statement (or a similar statement that conveys the same meaning):

**Warning: Changes or modifications not expressly approved by the party responsible for compliance could void the user's authority to operate the equipment. (RSS-210)**

In cases where an OEM seeks Class B (residential) limits for the final product, the following statement must be included in the final product manual:

*Note: This equipment has been tested and found to comply with the limits for a Class B digital device, pursuant to RSS-210 of the IC Rules. These limits are designed to provide reasonable protection against harmful interference in a residential installation. This equipment generates, uses and can radiate radio frequency energy and, if not installed and used in accordance with the instructions, may cause harmful interference to radio communications. However, there is no guarantee that interference will not occur in a particular installation. If this equipment does cause harmful interference to radio or television reception, which can be determined by turning the equipment off and on, the user is encouraged to try to correct the interference by one or more of the following measures:*

- Reorient or relocate the receiving antenna.
- Increase the separation between the equipment and receiver.

- Connect the equipment into an outlet on a circuit different from that to which the receiver is connected.
- Consult the dealer or an experienced radio/TV technician for help.

In cases where an OEM seeks the lesser category of a Class A digital device for the final product, the following statement must be included in the final product manual:

*Note: This equipment has been tested and found to comply with the limits for a Class A digital device, pursuant to RSS-210 of the IC Rules. These limits are designed to provide reasonable protection against harmful interference when the equipment is operated in a commercial environment. This equipment generates, uses, and can radiate radio frequency energy and, if not installed and used in accordance with the instruction manual, may cause harmful interference to radio communications. Operation of this equipment in a residential area is likely to cause harmful interference in which case the user will be required to correct the interference at his expense.*

### 10.3 Bluetooth certification

Module with embedded stack and profile has been qualified according to SIG qualification rules:

- Bluetooth SIG Declaration ID: D031101 (subset QDID 84050)
- Qualified Design ID (QDID): 81857
- Product type: End Product
- Core spec version: 3.0
- Product descriptions: Bluetooth module, spec V3.0

### 10.4 CE certification

The module has been certified according to the following certification rules:

- EN 300 328 V 2.1.1 (2016 11) (a)
- ETSI EN 301 489-17 V3.1.1 (2017-02) (b)
- ETSI EN 301 489-1 V2.1.1 (2017-02) (c)
- EN 60950-1:2006 + A11:2009 + A1:2010 + A12:2011 + A2:2013 (d)
- EN 62479:2010

a) EN 300 328 V 2.1.1 (2016 11): “electromagnetic compatibility and radio spectrum Matters (ERM); Wideband transmission systems; data transmission equipment operating in the 2.4 GHZ ISM band and using wideband modulation techniques; harmonized EN covering essential requirements under article 3.2 of the R&TTE directive”.

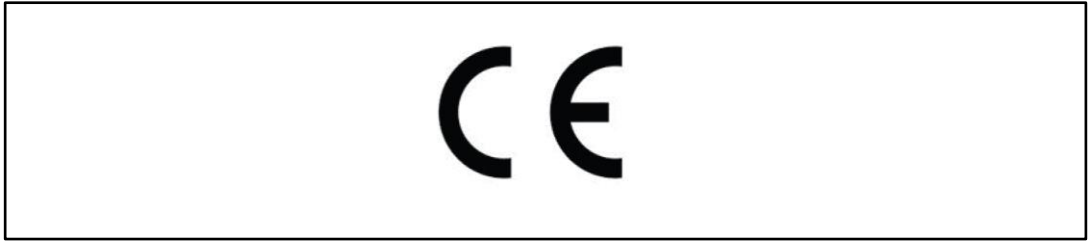
b) EN 301 489-17 V 3.1.1 (2017 02): “electromagnetic compatibility and radio spectrum Matters (ERM); electromagnetic compatibility (EMC) standard for radio equipment and services; part 17: specific condition for 2.4 GHz wideband transmission systems and 5 GHz high performance RLAN equipment”.

c) ETSI EN 301 489-1 V2.1.1 (2017 02) : “electromagnetic compatibility and radio spectrum Matters (ERM); electromagnetic compatibility (EMC) standard for radio equipment and services; part 1: Common technical requirements”.

d) EN60950-1:2006 +A11:2009+A1:2010 +A12:2011+A2:2013: “Information technology equipment - safety”.

The module is provided by CE marking:

Figure 13: CE marking



The module has obtained the RED certificate is: No. 0051-RED-0027 REV. 0”

The certified module production firmware release is:

**1.X**

For additional information please refer to:

**STMicroelectronics Via C. Olivetti 2, Agrate Brianza 20864 (ITALY)**

## 11 Traceability

Each module is univocally identified by a serial number stored in a 2D data matrix laser marked on the bottom of the module.

The serial number has the following format: WW YY D FF NNN

**Table 8: Traceability information**

Letter	Meaning
WW	Week
YY	Year
D	Product ID number
FF	Production panel coordinate identification
NN	Progressive serial number

Each module bulk package is identified by a bulk ID.

The Bulk ID and module 2D data matrix are linked by a reciprocal traceability link.

The module 2D data matrix traces the lot number of any raw material used.



## 12 Ordering information

Table 9: Ordering information

Order code	Description	Packing	MOQ
SPBT3.0DP1	Class 1 OEM Bluetooth antenna module	JEDEC tray	1020 pcs

## 13 Revision history

Table 10: Document revision history

Date	Version	Changes
28-Jun-2016	1	Initial release.
18-Sep-2017	2	Updated features in cover page. Updated <a href="#">Table 3: "Absolute maximum ratings"</a> . Updated <a href="#">Table 5: "I/O operating characteristics"</a> and <a href="#">Table 6: "Pin assignment"</a> . Updated <a href="#">Section 8: "Hardware design"</a> . Updated <a href="#">Section 8.3: "GPIO interface"</a> . Added figure in <a href="#">Figure 11: "SPBT3.0DP2 to MFi coprocessor interconnections"</a> . Updated <a href="#">Section 10.4: "CE certification"</a> . Updated <a href="#">Section 8: "Hardware design"</a> . Minor text changes.

**IMPORTANT NOTICE – PLEASE READ CAREFULLY**

STMicroelectronics NV and its subsidiaries ("ST") reserve the right to make changes, corrections, enhancements, modifications, and improvements to ST products and/or to this document at any time without notice. Purchasers should obtain the latest relevant information on ST products before placing orders. ST products are sold pursuant to ST's terms and conditions of sale in place at the time of order acknowledgement.

Purchasers are solely responsible for the choice, selection, and use of ST products and ST assumes no liability for application assistance or the design of Purchasers' products.

No license, express or implied, to any intellectual property right is granted by ST herein.

Resale of ST products with provisions different from the information set forth herein shall void any warranty granted by ST for such product.

ST and the ST logo are trademarks of ST. All other product or service names are the property of their respective owners.

Information in this document supersedes and replaces information previously supplied in any prior versions of this document.

© 2017 STMicroelectronics – All rights reserved

## X-ON Electronics

Largest Supplier of Electrical and Electronic Components

*Click to view similar products for [Bluetooth Modules - 802.15.1 category](#):*

*Click to view products by [STMicroelectronics manufacturer](#):*

Other Similar products are found below :

[A2541R24A10GM](#) [CYBLE-212023-10](#) [BM78SPP05MC2-0002AA](#) [CYW20732S](#) [968EMB0019](#) [E73-2G4M08S1CX](#) [TB-03F](#) [TB-03F-AT\\_Mesh](#) [TB-04](#) [TB-04--AT\\_Mesh](#) [BT3L\(jibu\)](#) [BT5S\(xoft\)](#) [BT5S\(4k43\)](#) [BT5S\(jcyv\)](#) [1327](#) [RN42HID-I/RM](#) [ENW-89829C3KF](#) [BLE113-A-V1](#) [BM70BLE01FC2-0B03AA](#) [ACN52832](#) [A2541E24A10GM](#) [RN42-I/RM630](#) [450-0168R](#) [MOTG-BLUETOOTH](#) [ABBTM-2.4GHz-52-T](#) [ABBTM-2.4GHz-T](#) [ABBTM-2.4GHz-T2](#) [4076](#) [AFERO-BL24-01](#) [BLED112](#) [BM62SPKS1MC2-0001AA](#) [BM78SPPS5MC2-0002AA](#) [PX0880/1](#) [DAT12](#) [BT680F](#) [PBA31309V1.00](#) [S LK64](#) [ATSAMB11-MR510CA](#) [BM20SPKA1NBC-0001AA](#) [BM20SPKS1NBC-0001AA](#) [BM23SPKS1NB9-0B02AA](#) [BM64SPKS1MC2-0002AA](#) [BM70BLE01FC2-0B04AA](#) [BM70BLE01FC2-0B05BA](#) [BM77SPP03MC2-0007AA](#) [BM77SPP03MC2-0008AA](#) [BM78SPP05NC2-0001AA](#) [BM78SPPS5NC2-0002AA](#) [BM83SM1-00TA](#) [DM164146](#) [RN42-I/RM615](#)