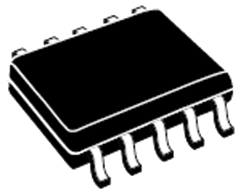


## Adaptive synchronous rectification controller for LLC resonant converter



**SSOP10**

### Features

- Secondary side synchronous rectification controller optimized for LLC resonant converter
- Dual gate driver for N-channel MOSFETs
- Adaptive turn-off logic
- Turn-on logic with adaptive masking time
- Auto-compensation of parasitic inductance
- Low consumption mode: 50  $\mu$ A quiescent current
- $V_{CC}$  operating voltage range 4.5 V to 32 V
- High voltage drain-to-source Kelvin sensing for each SR MOSFET
- Operating frequency up to 500 kHz
- Programmable exit load levels from burst- mode
- SSOP10 package

### Applications

- AC-DC adapters
- All-in-one PC
- High-end flat panel TV
- 80+/85+ compliant ATX SMPS
- 90+/92+ compliant SERVER SMPS
- Industrial SMPS

### Description

The SRK2001A controller implements a control scheme specific for secondary side synchronous rectification in LLC resonant converters that use a transformer with center tap secondary winding for full wave rectification.

It provides two high current gate drive outputs, each capable of directly driving N-channel power MOSFET. Each gate driver is controlled separately, and an interlock logic circuit prevents the two synchronous rectifier MOSFET from conducting simultaneously.

The driver high-level voltage is clamped to 11 V in order to avoid delivering excessive gate charge to the SR MOSFET when the device is supplied at higher  $V_{CC}$  voltages.

The control scheme ensures that each synchronous rectifier is switched ON as the corresponding half-winding starts conducting and OFF as its current falls to zero.

The turn-on logic with adaptive masking time (up to 10% of clock cycle) and innovative adaptive turn-off logic allow maximizing the conduction time of the SR MOSFET, eliminating the need for a parasitic inductance compensation circuit.

The low consumption mode of the device allows meeting the most stringent requirement for converter power consumption in light-load and no-load conditions.

A very low external component count required when using this device.

#### Product status link

[SRK2001A](#)

#### Product summary

<b>Order code</b>	SRK2001A	SRK2001ATR
<b>Package</b>	SSOP10	
<b>Packing</b>	Tube	Tape & Reel

#### Product label



# 1 Block diagrams

Figure 1. Internal block diagram

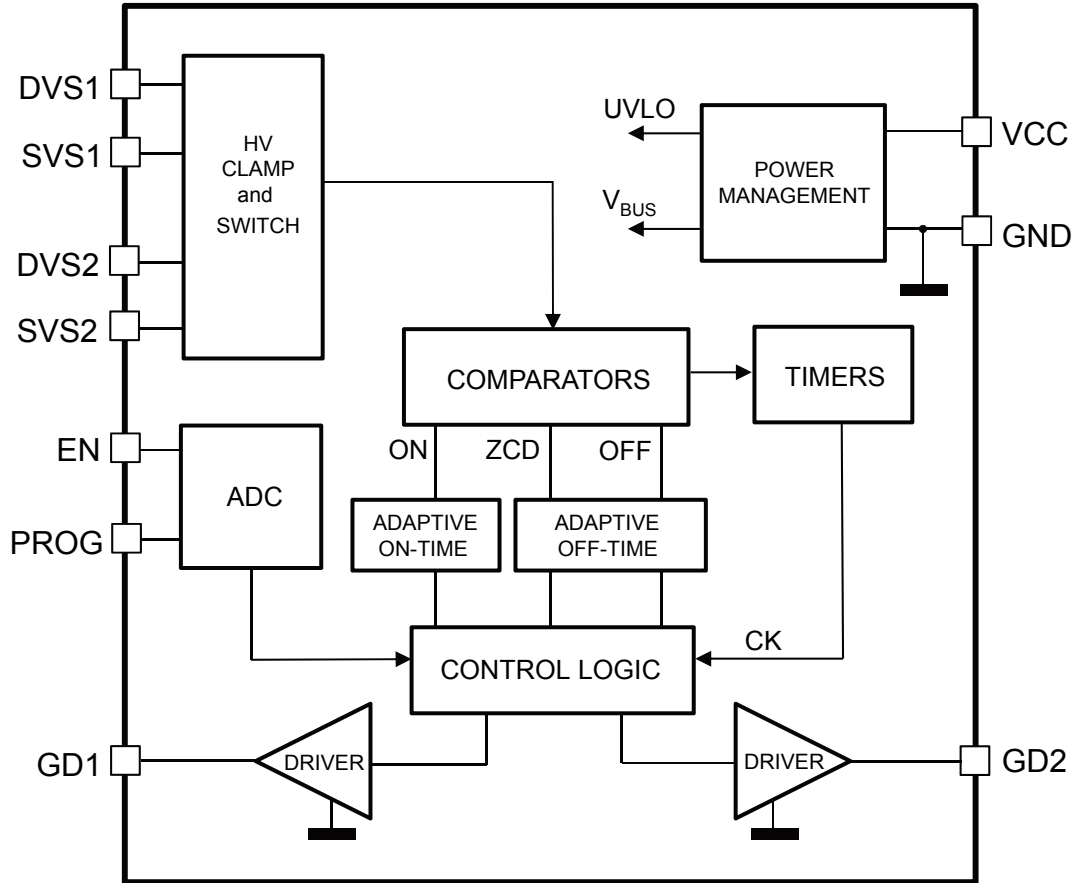
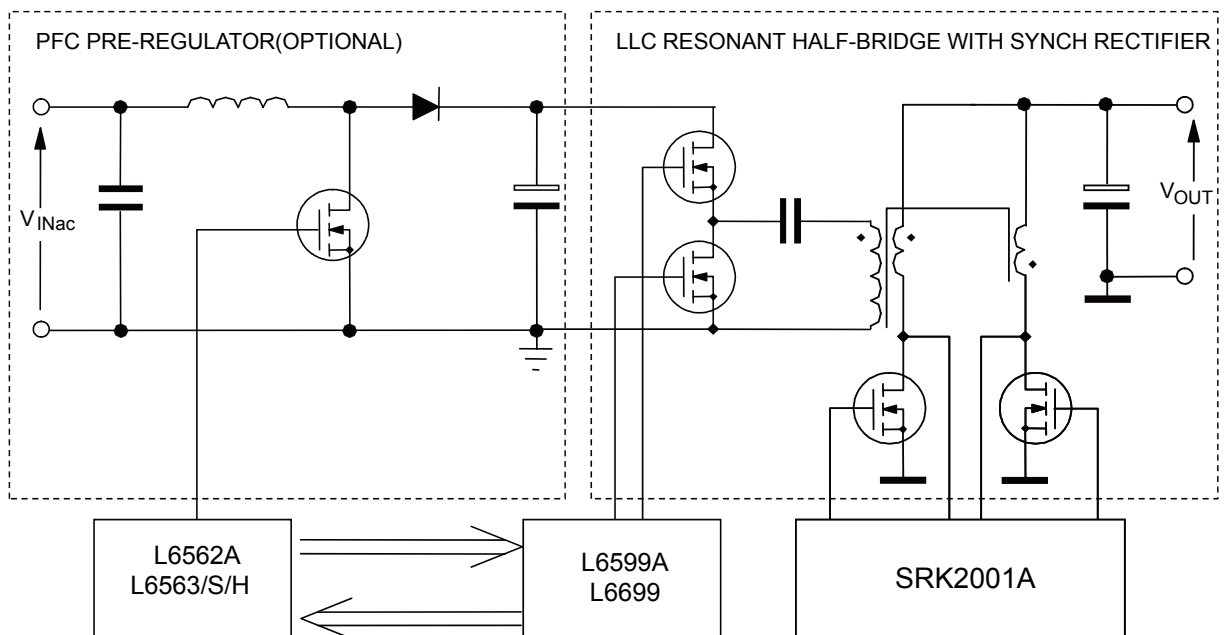
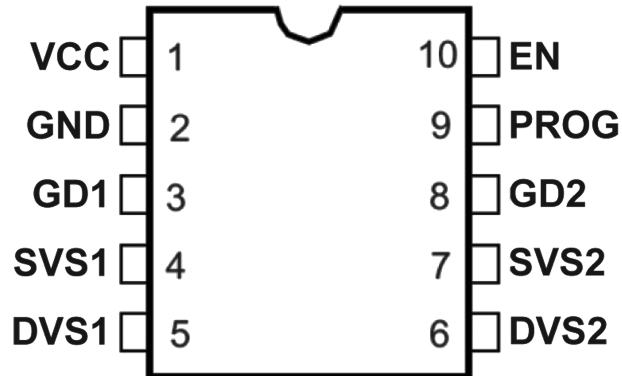


Figure 2. Typical system block diagram



## 2 Pin connections and functions

**Figure 3. Pin connections (top view)**

**Table 1. Pin functions**

No.	Name	Function
1	VCC	Supply voltage of the device. A bypass capacitor to GND located as close to IC pins as possible helps to obtain a clean supply voltage for the internal control circuitry and acts as an effective energy buffer for the pulsed gate drive currents.
2	GND	Return of the device bias current and return of the gate drive currents. Route this pin to the common point where the source terminals of both synchronous rectifier MOSFET are connected.
3 (8)	GD1 (GD2)	Gate driver output for section 1 (2). Each totem pole output stage is able to drive power MOSFET with high peak current levels. To avoid excessive gate voltages when the device is supplied with a high $V_{CC}$ , the high-level voltage of these pins is clamped to about 11 V. The pin has to be connected directly to the SR MOSFET gate terminal.
4 (7)	SVS1 (SVS2)	Source voltage sensing for section 1 (2): it is the reference voltage of the corresponding drain sensing signal on the DVS1,2 pin. These pins have to be connected directly to the respective source terminals of the corresponding synchronous rectifier MOSFET.
5 (6)	DVS1 (DVS2)	Drain voltage sensing for section 1 (2). These pins have to be connected to the respective drain terminals of the corresponding synchronous rectifier MOSFET using a series resistor of 100 $\Omega$ .
9	PROG	Programming pin for conduction duty-cycle at burst-mode exiting. A resistor connected from this pin to GND, supplied by an internal precise current source, sets a voltage $V_{PROG}$ ; depending on this voltage level, during the start-up phase, the user can choose, according to the application requirements, the proper burst-mode exiting conduction duty-cycle among the ones contained in an internal lookup table in <a href="#">Table 5</a> (the values are predefined inside the table). For the proper choice of the resistor value see <a href="#">Table 4</a> .
10	EN	Enable pin function with internal pull-up (remote ON/OFF): during the run mode, when the pin voltage is sensed below the internal threshold $V_{EN\_OFF}$ , the controller stops operating and enters a low consumption state; it resumes the operation if the pin voltage surpasses the threshold $V_{EN\_ON}$ .

### 3 Absolute maximum ratings

**Table 2. Absolute maximum ratings**

Symbol	Pin	Parameter	Value	Unit
$V_{CC}$	1	DC supply voltage	-0.3 to $V_{CCZ}$	V
$I_{CCZ}$	1	Internal Zener maximum current ( $V_{CC} = V_{CCZ}$ )	25	mA
$V_{PROG}$	10	PROG pin voltage rating	-0.3 to 3.3	V
$V_{EN}$	9	EN pin voltage rating	-0.3 to 3.3	V
DVS1,2	5, 6	Drain sense voltage referred to source SVS1,2	-3 to 90	V
SVS1,2	4, 7	Source sense voltage referred to GND	-3 to 3	V

## 4 Thermal data

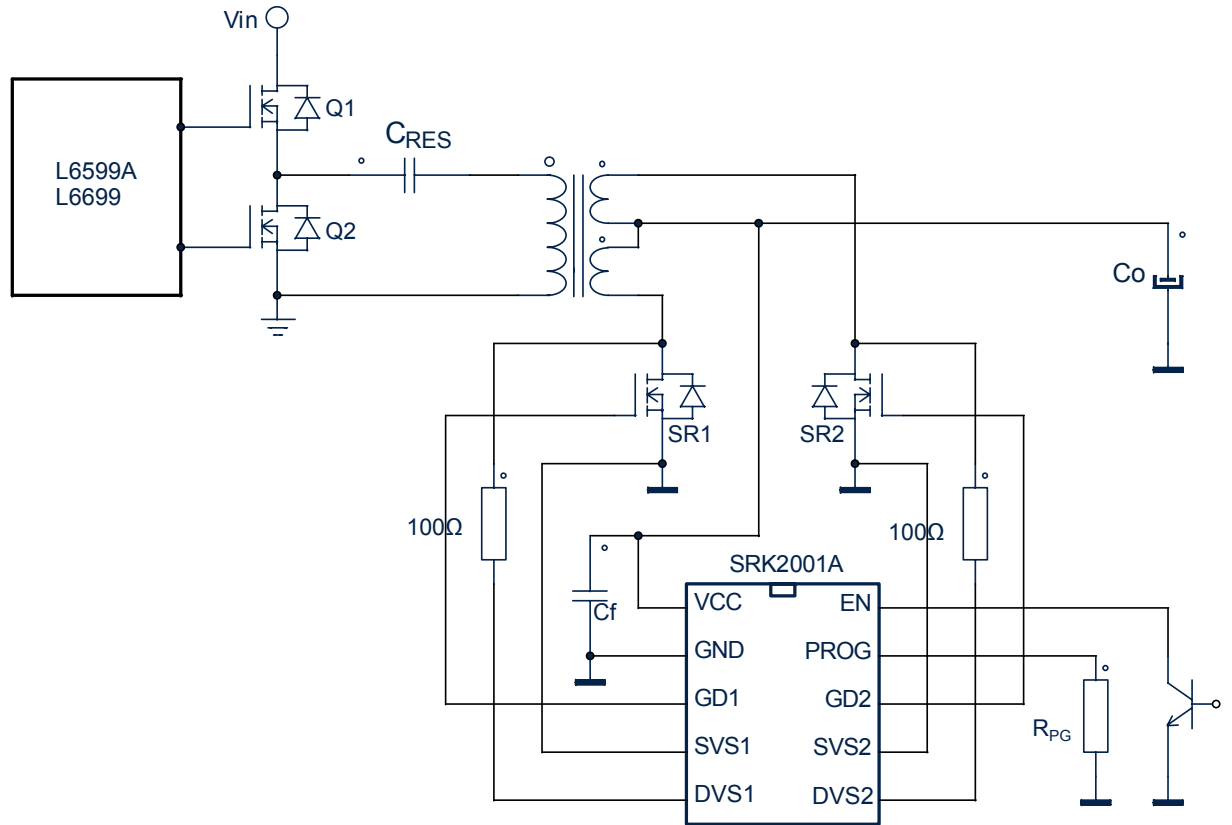
**Table 3. Thermal data**

Symbol	Parameter	Value	Unit
$R_{th\ j-amb}$	Max. thermal resistance, junction to ambient <sup>(1)</sup>	130	°C/W
$R_{th\ j-case}$	Max. thermal resistance, junction to case top <sup>(1)</sup>	10	°C/W
$P_{tot}$	Power dissipation at $T_{amb} = 50\text{ °C}$	0.75	W
$T_j$	Junction temperature operating range	-40 to 150	°C
$T_{stg}$	Storage temperature	-55 to 150	°C

1. With the pin 2 soldered to a dissipating copper area of 25 mm<sup>2</sup>, 35 μm thickness (PCB material FR4 1.6 mm thickness).

## 5 Typical application schematic

Figure 4. Typical application schematic



## 6 Electrical characteristics

**Table 4. Electrical characteristics**

( $T_j = -25$  to  $125$  °C,  $V_{CC} = 12$  V,  $C_{GD1} = C_{GD2} = 4.7$  nF,  $R_{PG} = 0$   $\Omega$ ; unless otherwise specified, typical values refer to  $T_j = 25$  °C).

Symbol	Parameter	Test condition	Min.	Typ.	Max.	Unit
<b>Supply section</b>						
$V_{CC}$	Operating range	After turn-on	4.5	-	32	V
$V_{CC\_On}$	Turn-on supply voltage	(1)	4.25	4.5	4.75	V
$V_{CC\_Off}$	Turn-off supply voltage	(1)	4	4.25	4.5	V
Hys	Hysteresis	-	-	0.25	-	V
$V_{CCZ}$	Clamp voltage	$I_{CCZ} = 20$ mA	33	36	39	V
$I_{q\_run}$	Current consumption in run mode	After turn-on (excluding SR MOS gate capacitance charging/discharging) at 100 kHz	-	700	-	$\mu$ A
$I_{CC}$	Operating supply current	At 300 kHz	-	35	-	mA
$I_q$	Quiescent current	Low-consumption mode operation, with DVS1,2 pins not switching(2), $T_j = -25$ °C to $85$ °C	-	50	65	$\mu$ A
<b>Drain-source sensing inputs and synch functions</b>						
$V_{DS1,2\_H}$	Drain-to-source sensing operating voltage	-	-	-	90	V
$V_{TH\_A}$	Arming voltage	Positive-going edge	-	1.4	-	V
$V_{TH\_PT}$	Pre-triggering voltage	Negative-going edge	-	0.7	-	V
$V_{TH\_ON}$	Turn-on threshold	Negative-going edge	-130	-100	-70	mV
$T_{diode\_off}$	Body diode residual conduction time after turn-off	-	-	75	-	ns
$T_{D\_On\_min}$	Minimum turn-on delay	-	-	100	-	ns
$T_{D\_On\_max}$	Maximum turn-on delay	At 100 kHz	-	0.5	-	$\mu$ s
<b>Enable pin remote on/off function</b>						
$V_{EN\_OFF}$	Disable threshold	(1)Negative-going edge during run mode	0.25	0.3	0.35	V
$V_{EN\_ON}$	Enable threshold	(1)Positive-going edge during run mode	0.45	0.62	0.82	V
$I_{EN\_run}$	Sourced current	During run mode	4	6	8	$\mu$ A
<b>Burst-mode exiting programming</b>						
$D_{ON}$	Restart duty-cycle during primary controller burst- mode operation	$R_{PG} = 0$ $\Omega$	-	80	-	%
		$R_{PG} = 100$ k $\Omega$ 1%	-	75	-	
		$R_{PG} = 180$ k $\Omega$ 1%	-	65	-	
		$R_{PG}$ open	-	0	-	
$I_{PROG}$	Sourced current	(1)At $V_{CC}$ startup	9	10	11	$\mu$ A
<b>Gate drivers</b>						
$I_{source\_pk}$	Output source peak current	(3)	-	-0.35	-	A
$I_{sink\_pk\_ZCD}$	Max. output sink peak current	ZCD comparator triggered turn-off(3)	-	4	-	A
$t_r$	Rise time	-	-	140	-	ns

Symbol	Parameter	Test condition	Min.	Typ.	Max.	Unit
$t_f$	Fall time (adaptive turn-off comparator)	Adaptive turn-off triggered turn-off	-	80	-	ns
$t_{f\_ZCD}$	Fall time (ZCD_OFF comparator)	ZCD_OFF comparator triggered turn-off	-	30	-	ns
$V_{GDclamp}$	Output clamp voltage	$I_{GD} = -5 \text{ mA}$ ; $V_{CC} = 20 \text{ V}$	9	11	13	V
$V_{GDL\_UVLO}$	UVLO saturation	$V_{CC} = 0 \text{ to } V_{CC\_On}$ , $I_{sink} = 5 \text{ mA}$	-	1	1.3	V

1. *Parameters tracking each other.*
2. *Low consumption mode is one of the following: primary converter burst-mode detect or the EN pin pulled low.*
3. *Parameter guaranteed by design.*



## 7 Operation description

The device block diagram is shown in [Figure 1](#). The SRK2001A can be supplied through the VCC pin by the same converter output voltage, within a wide voltage range (from 4.5 V to 32 V), internally clamped to V<sub>CCZ</sub> (36 V typical). An internal UVLO (undervoltage lockout) circuit with hysteresis keeps the device switched off at supply voltage lower than the turn-on level V<sub>CC\_On</sub>, with reduced consumption.

After the startup, the operation with V<sub>CC</sub> floating (or disconnected by supply voltage) while pins DVS1,2 are switching is not allowed: this in order to avoid that a dV/dt on the DVS pin may cause a high flowing current with possible damage of the IC.

The core of the device is the control logic block, implemented by asynchronous logic: this digital circuit generates the logic signals to the output drivers, so that the two external power MOSFET are switched on and off, depending on the evolution of their drain-source voltages, sensed on the DVS-SVS pin pairs through the comparators block.

The logic that controls the driving of the two SR MOSFET is based on two gate-driver state machines working in parallel in an interlocked way to avoid switching on both gate drivers at the same time. A third state machine manages the transitions from the normal operation to the low consumption mode and vice versa.

### 7.1 Drain voltage sensing

The SRK2001A basic operation is such that each synchronous rectifier MOSFET is switched on whenever the corresponding transformer half-winding starts conducting (i.e., when the MOSFET body diode, or an external diode in parallel, starts conducting) and it is then switched off when the flowing current approaches zero. To understand the polarity and the level of this current, the IC is provided with two pairs of pins (DVS1-SVS1 and DVS2-SVS2) that sense the drain-source voltage of either MOSFET (Kelvin sensing). In order to limit dynamic current injection in any condition, at least 100 Ω resistors in series to DVS1,2 pins must be used.

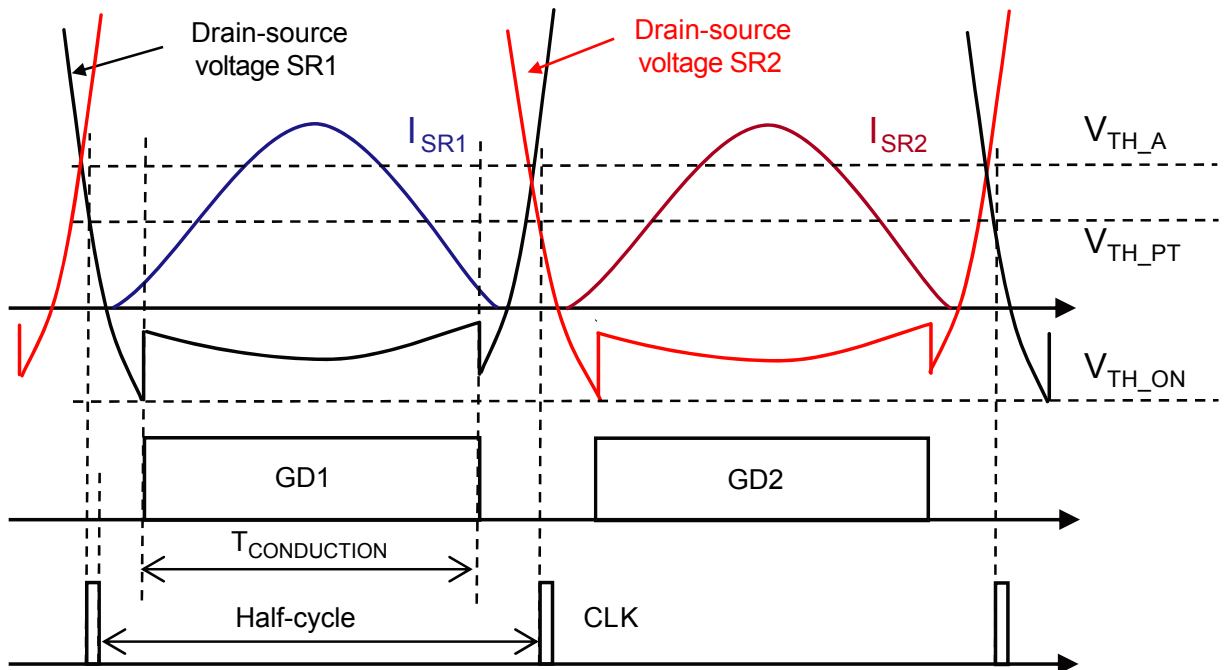
Referring to the typical waveforms in [Figure 5](#), there are three significant voltage thresholds: the first one, V<sub>TH\_A</sub> (= 1.4 V), sensitive to positive-going edges, arms the opposite gate driver (interlock function). The second one, V<sub>TH\_PT</sub> (= 0.7 V), sensitive to negative-going edges provides a pre-trigger of the gate driver and sets the internal clock; the third one V<sub>TH\_ON</sub> is the (negative) threshold that triggers the gate driver as the body diode of the SR MOSFET starts conducting.

Depending on the configuration of pins PROG and EN, it has to be verified that the condition V<sub>DVS1</sub> > V<sub>TH\_A</sub> and V<sub>DVS2</sub> > V<sub>TH\_A</sub>, at the same time, does not fall in a critical range, otherwise SRK2001A could behave unexpectedly. When PROG and EN- pins are open / open, the critical range is 11.5 to 25 μs, while for configurations other than open / open, it is 6.5 to 15 μs. From an application viewpoint, the operating points/events to be guaranteed are:

- During burst mode operation by primary controller (light load operation) : V<sub>DVS1</sub> > V<sub>TH\_A</sub> and V<sub>DVS2</sub> > V<sub>TH\_A</sub> for more than the upper limit of the range
- During well below resonance operation (worst case is minimum input voltage and maximum output load): V<sub>DVS1</sub> > V<sub>TH\_A</sub> and V<sub>DVS2</sub> > V<sub>TH\_A</sub> for less than the lower limit of the range
- During protection events by the primary controller that stop switching for a short time: V<sub>DVS1</sub> > V<sub>TH\_A</sub> and V<sub>DVS2</sub> > V<sub>TH\_A</sub> not within the critical range.

### 7.2 Turn-on

The turn-on logic is such that each SR MOSFET is switched on when the sensed drain- source voltage goes below the V<sub>TH\_ON</sub> threshold: to avoid false triggering of the gate driver, an adaptive masking delay T<sub>D\_On</sub> is introduced. This delay assumes a minimum value at the high load (T<sub>D\_On,min</sub>) and increases with decreasing load levels (up to T<sub>D\_On,max</sub> equal to 10% of the clock cycle).

**Figure 5. Typical waveforms**


The aim of  $T_{D\_On}$  is to avoid a premature turn-on at lower load conditions, triggered by capacitive currents (due to secondary side parasitic capacitance and not really related to the current flowing through the MOSFET body diode). Figure 6 shows the effect of this parasitic: in case at the reduced load a capacitive current spike should trigger the turn-on, there would be a current inversion (flowing from the output capacitor toward the SR MOSFET). This current inversion would cause a discharge of the output capacitor and consequently an increase of the rectified current rms value, in order to balance that discharge; this, in turn, would affect a bit the converter efficiency.

In case of SR MOSFET with low parasitic capacitance, capacitive currents lasting less than 10% of the clock cycle are filtered: the gate drive of course will go high when the current really flows through the body diode (i.e., the comparator sensing DVS1,2 signal and referenced to the  $V_{TH\_ON}$  threshold is triggered). In case of SR MOSFET with higher parasitic capacitance, capacitive currents lasting more than 10% of the clock cycle cannot be filtered by the turn-on delay and premature turn-on will be present.

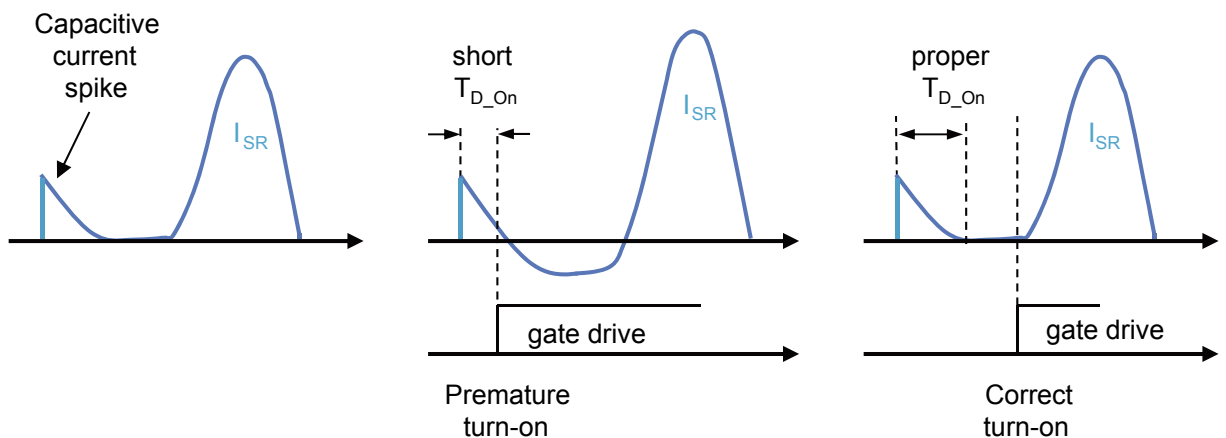
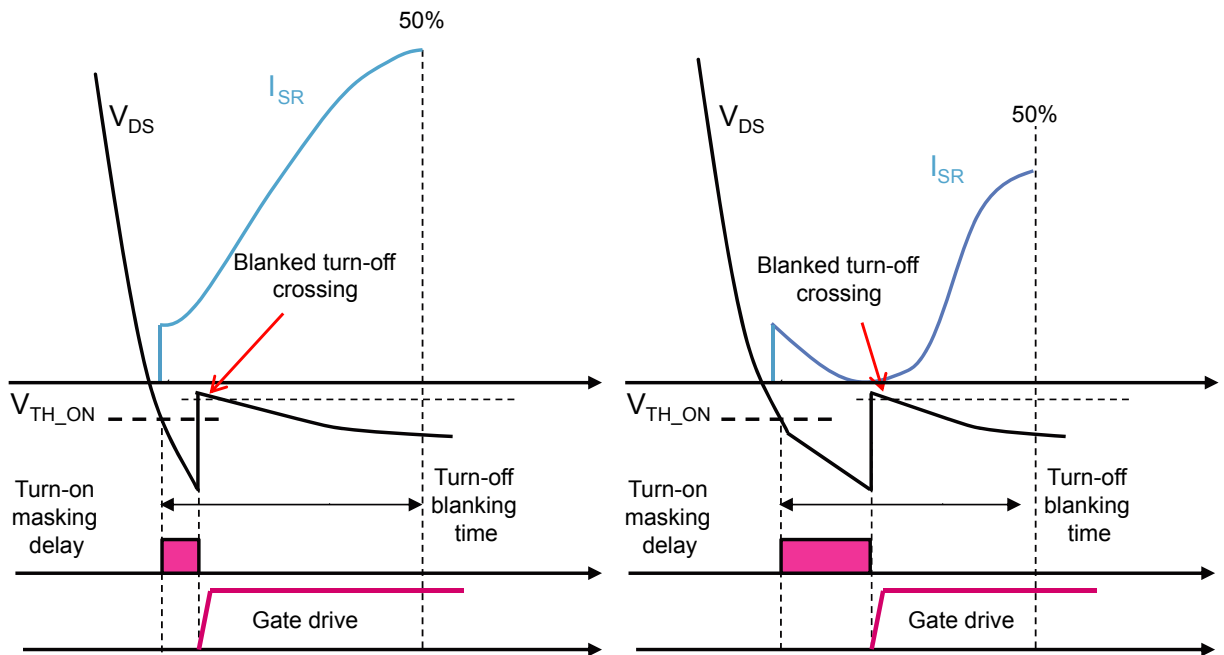
**Figure 6. Capacitive current spike effect at turn-on**


Figure 7 shows the turn-on at the full load with a minimum delay ( $T_{D\_On\_min}$ ) and at the reduced load with an increased delay (up to  $T_{D\_On\_max}$  equal to 10% of the clock cycle).

At the startup and on the low consumption mode exiting, the control circuit starts with a turn-on delay set to 7% of the clock cycle and progressively adapts it to the proper value.

**Figure 7. Full load and light load turn-on**


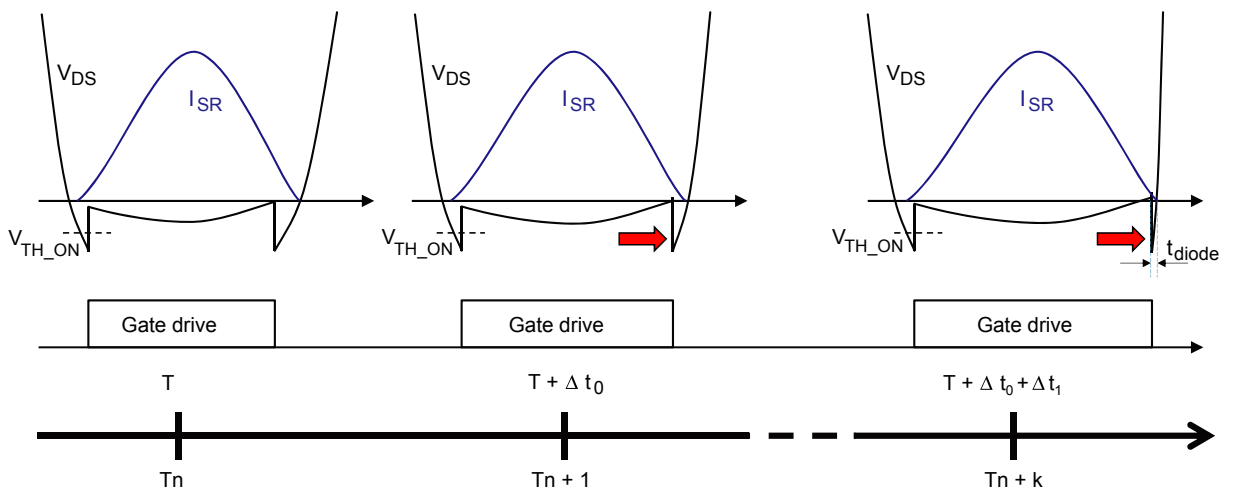
### 7.3 Adaptive turn-off

The SR MOSFET turn-off may be triggered by two different mechanisms: by the adaptive turn-off mechanism (two-slope turn-off) or by the ZCD\_OFF comparator (fast turn-off, see [Section 7.4](#)).

Due to the stray inductance in series with the SR MOSFET  $R_{DS(on)}$  (mainly the package stray inductance), the sensed drain-source signal is not really equal to the voltage drop across the MOSFET  $R_{DS(on)}$ , but it anticipates the time instant where the current reaches zero, causing a premature MOSFET turn-off.

To overcome this problem (without adding any stray inductance compensation circuit), the device uses a turn-off mechanism based on an adaptive algorithm. This consists in turning off the SR MOSFET with a certain delay after the sensed drain-source voltage has reached zero and adapting progressively this delay in order to maximize the conduction period and get the target residual conduction ( $T_{diode}$ ) of the MOSFET body diode after the turn-off.

[Figure 8](#) shows this adaptive algorithm: cycle-by-cycle the conduction time is maximized allowing in a steady-state the maximum converter efficiency.

**Figure 8. Adaptive turn-off**


After the turn-on, a blanking time (equal to 50% of the clock period - refer to Figure 6) masks the adaptive turn-off mechanism in order to avoid an undesired turn-off due to the drain-source voltage drop, consequent to the MOSFET switch-on (the flowing current passes from the body diode to MOSFET channel resistance) or due to the ringing generated at the MOSFET turn-on.

During the startup and on the low consumption mode exiting, the control circuit turns off the SR MOSFET at 50% of the clock cycle and progressively adapts this delay in order to maximize the SR MOSFET conduction time. This helps reducing system perturbations.

## 7.4 ZCD\_OFF comparator turn-off

The IC is equipped with a ZCD\_OFF comparator that is always ready to quickly turn-off the SR MOSFETs, avoiding in this way current inversions, that would cause SR MOSFETs failure and even half-bridge destruction, in case of the primary controller not equipped with proper protections.

The ZCD\_OFF comparator acts during fast transient conditions, where a sudden slope variation of the rectified current presents or when (after a quick frequency change) the above resonance operation occurs. It senses that the current has reached the zero level and triggers the gate drive circuit for a very fast MOSFET turn-off. The ZCD\_OFF comparator threshold is not fixed but self-adaptive. In fact, after a turn-off by the ZCD\_OFF comparator, the circuit senses the body diode residual conduction: if it is longer than the target value  $T_{diode}$ , the comparator threshold is increased (by an amount proportional to the difference between the residual diode conduction and the target value), so that in the next cycle the residual body diode conduction is decreased. At the end, the comparator threshold sets to such a level that the turn-off is accomplished by the adaptive turn-off mechanism, while the ZCD\_OFF comparator is ready to protect in case of a transient condition.

Therefore, in the steady state load operation and in case of slow load transitions, the turn-off is prevalently managed by the adaptive mechanism (characterized by the two-slope turn-off driving). Instead, during fast transitions or during sudden above resonance operation, the ZCD\_OFF comparator will take over, driving a fast MOSFET switch-off that prevents undesired current inversions.

The ZCD\_OFF comparator is blanked for 300 ns after the turn-on time instant in order to avoid a premature turn-off: in fact, soon after the turn-on, the sensed drain-source voltage may cross the turn-off threshold due to switching noise on parasitic stray inductance, which may trigger the ZCD\_OFF comparator.

Depending on SR MOSFET choice, some premature turn-off triggered by the ZCD\_OFF comparator may be found at the low-load, due to the noise present on the drain-source sensed signal: this is worse with lower  $R_{DS(on)}$  (due to worse signal to noise ratio) and lower stray inductance of the MOSFET package. Normally the load level where this may happen is such that the circuit has already entered a low consumption state (for example in burst-mode from primary controller); if this is not the case, some noise reduction may be helpful, for example by using RC snubbers across the SR MOSFETs drain-source.

## 7.5 Gate drive

The IC is provided with two high current gate-drive outputs, each capable of driving one or more N-channel power MOSFET in parallel.

The high-level voltage provided by the driver is clamped at  $V_{GDclamp}$  in order to avoid excessive voltage levels on the gate in case the device is supplied with a high  $V_{CC}$ , thus minimizing the gate charge provided in each switching cycle.

The two gate drivers have a pull-down capability that ensures the SR MOSFET cannot be spuriously turned on even at low  $V_{CC}$ : in fact, the drivers have a 1 V (typ.) saturation level at  $V_{CC}$  below the turn-on threshold.

As described in the previous paragraphs, either the SR MOSFET is switched on after the current starts flowing through the body diode, when the drain-source voltage is already low (equal to  $V_F$ ); therefore there is no Miller effect nor switching losses at the MOSFET turn-on, in which case the drive doesn't need to provide a fast turn-on.

Also at the turn-off, during steady-state load conditions, when the decision depends on the adaptive control circuitry, there is no need to have a very fast drive with hard pull-down, because the current has not yet reached zero and the operation is far from the current inversion occurrence. Moreover, slow transitions also help reducing the perturbation introduced into the system that arise due to the MOSFET turn-on and turn-off, contributing to improve the overall behavior of the LLC resonant converter.

The gate-drive circuit is specifically designed to reduce the switching noise at the turn-off, due to parasitic inductance in the driving current path. In fact, during the adaptive turn-off, it provides a controlled turn-off time (with the characteristic two-slope falling edge) in order to limit the current peak during gate drive transition, and does not require any resistor in series to the SR MOSFET gates.

On the other side, during very fast load transitions or on a sudden occurrence of the above resonance operation, when the turn-off decision is taken by ZCD\_OFF logic, the MOSFET turn-off needs to be very fast to avoid current inversion: therefore, the two gate drivers are designed to guarantee for a very short turn-off total delay.

In order to avoid current inversions, the SRK2001A stops driving SR MOSFET during any operating condition where the converter enters deeply into the below resonance region (i.e., switching frequency gets lower than 60% of resonance frequency).

## 7.6 EN and PROG pins: function and usage

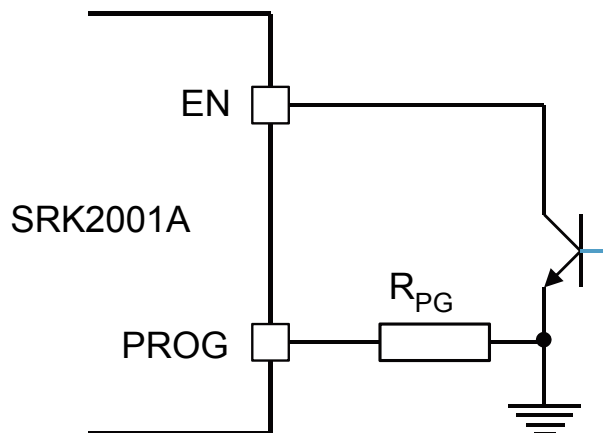
The SRK2001A can enter the low consumption mode in one of the following ways:

- By EN pin remote on-off (through a small signal NPN transistor)
- By detecting the primary controller burst-mode operation

The PROG pin allows the user to program the conduction duty-cycle of the SR MOSFET body diode to exit the low consumption mode. The configuration is set when the  $V_{CC}$  supply voltage rises above the turn-on threshold  $V_{CC\_ON}$  and the EN pin voltage is higher than the enable threshold ( $V_{EN\_ON}$ ): during this pin-strap phase, the voltage on PROG pin is detected and the corresponding value of  $D_{ON}$  (see Table 5) is internally stored as long as  $V_{CC}$  is within the supply range and EN pin voltage is above the disable threshold ( $V_{EN\_OFF}$ ). With  $V_{CC}$  supply in the operating range, the pinstrap phase is repeated each time that the EN pin is driven low to high (above the  $V_{EN\_ON}$  threshold) during user remote on-off.

Referring to Figure 9: a precise current generator  $I_{PROG}$ , sourcing current to the PROG pin, fixes the voltage across the external resistor  $R_{PG}$ ; depending on this voltage level, the conduction duty-cycle to exit the low consumption state is set, among those contained in the internal lookup table (see Table 5). After internal storing (pinstrap phase), the current generator  $I_{PROG}$  is disabled. In case during the startup the EN pin is kept low, the pinstrap phase will happen only after the EN pin is pulled high.

**Figure 9. EN - PROG pin configurations**



### 7.6.1 EN pin remote on-off

During the run mode, the EN pin can be used as remote on-off input, using a small signal transistor connected to the pin. When the switch is closed, the pin voltage goes below the  $V_{EN\_OFF}$  threshold; the controller stops operating and enters a low consumption state. Then it resumes operation when the switch is opened and the pin voltage surpasses the  $V_{EN\_ON}$  threshold (thanks to an internal pull-up of 20  $\mu A$ , reduced to 6  $\mu A$  in run mode,  $I_{EN\_run}$ ).

### 7.6.2 Burst-mode detection

Normally, at reduced loads, resonant converters enter burst mode operation in order to increase converter efficiency. The SRK2001A detects that the primary controller has stopped switching and enters its low consumption state. The condition to detect the burst-mode operation is that both DVS1, 2 pins are above the arming voltage  $V_{TH\_A}$  for at least 20  $\mu s$  (typ).

**Table 5. Burst-mode exiting lookup table**

$D_{ON}$	$R_{PG}$
80%	$R_{PG} = 0 \Omega$
75%	$R_{PG} = 100 \text{ k}\Omega$
65%	$R_{PG} = 180 \text{ k}\Omega$
0%	$R_{PG}$ open

### 7.6.3 Low consumption state exit

After the primary controller restarts switching or the EN pin goes back high, the controller resumes the operation when it detects that the conduction duty cycle has increased above the value  $D_{ON}$  programmed by the user through a proper choice of the  $R_{PG}$  resistor. The number of clock cycles needed to exit the burst mode is proportional to the difference between the body diode conduction duty cycle and the programmed  $D_{ON}$  threshold: this allows a faster sleep-out in case of the heavy load transient low-to-high. After recognizing that the conduction duty cycle is longer than the programmed  $D_{ON}$ , 12 switching cycles (i.e. 24 clock cycles) are still needed before the SRK2001A restarts driving the SR MOSFET (in order to allow the settlement of the internal timers, lost during the low consumption state, where most of the internal circuitry was not supplied or turned off).

## 7.7 Layout guidelines

The GND pin is the return of the bias current of the device and return for gate drive currents: it should be routed to the common point where the source terminals of both synchronous rectifier MOSFET are connected. When laying out the PCB, care must be taken in keeping the source terminals of both SR MOSFET as close to one another as possible and routing the trace that goes to the GND separately from the load current return path. This trace should be as short as possible and be as close to the physical source terminals as possible. Doing the layout as more geometrically symmetrical as possible will help make the circuit operation as much electrically symmetrical as possible.

Also drain-source voltage sensing should be done as physically close to the drain and source terminals as possible in order to minimize the stray inductance involved by the load current path that is in the drain-to-source voltage sensing circuit.

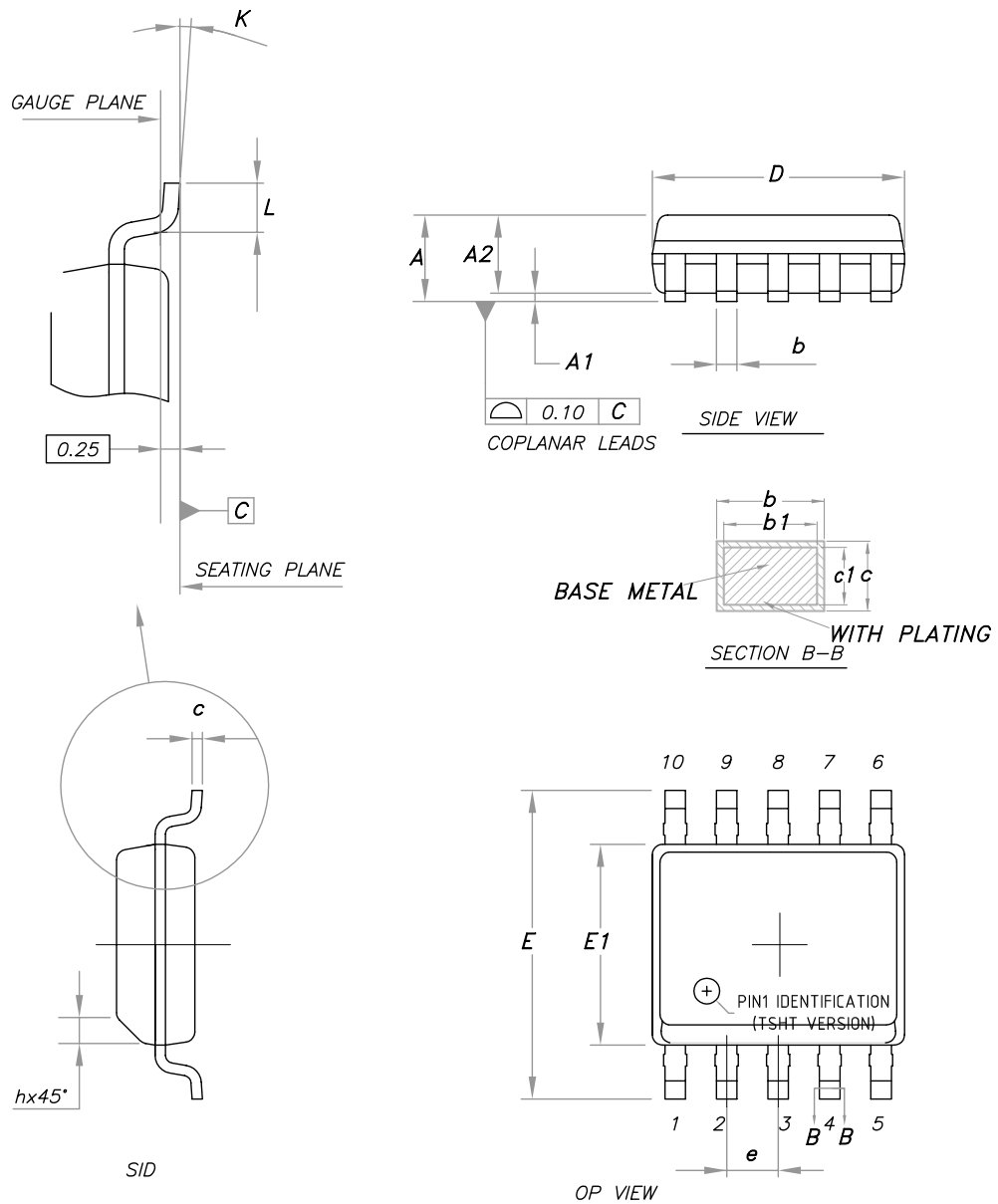
The usage of bypass capacitors between the  $V_{CC}$  and GND is recommended. They should be the low-ESR, low-ESL type and located as close to the IC pins as possible. Sometimes, a series resistor (in the tens of ohms) between the converter output voltage and the  $V_{CC}$  pin, forming an RC filter along with the by-pass capacitor, can help obtain a cleaner  $V_{CC}$  voltage.

## 8 Package information

In order to meet environmental requirements, ST offers these devices in different grades of **ECOPACK** packages, depending on their level of environmental compliance. ECOPACK specifications, grade definitions and product status are available at: [www.st.com](http://www.st.com). ECOPACK is an ST trademark.

### 8.1 SSOP10 package information

Figure 10. SSOP10 package outline



**Table 6. SSOP10 package mechanical data**

Symbol	Dimensions (mm)		
	Min.	Typ.	Max.
A	-	-	1.75
A1	0.10	-	0.225
A2	1.30	1.40	1.50
A3	0.60	0.65	0.70
b	0.39	-	0.47
b1	0.38	0.41	0.44
c	0.20	-	0.24
c1	0.19	0.20	0.21
D	4.80	4.90	5
E	5.80	6.00	6.20
E1	3.80	3.90	4.00
e	1.00 BSC		
h	0.25	-	0.50
L	0.50	-	0.80
K	0°	-	8°



## Revision history

**Table 7. Document revision history**

Date	Version	Changes
28-Jun-2016	1	Initial release.
6-Sept-2018	2	Updated Section 7.6.2 Burst-mode detection Updated Section 7.6.3 Low consumption state exit
02-Sep-2021	3	<p>Throughout document:</p> <ul style="list-style-type: none"> <li>• updated document template</li> <li>• Section, figure and table indexes moved to bottom of document</li> <li>• minor text edits</li> </ul> <p>In Section 7.1 Drain voltage sensing:</p> <ul style="list-style-type: none"> <li>• Added new paragraphs, starting with "Depending on the configuration of pins PROG and EN..."</li> </ul> <p>In Section 7.6 EN and PROG pins: function and usage:</p> <ul style="list-style-type: none"> <li>• Changed sentence "The PROG pin allows the user to program ..." and added sentence "The configuration is set when the..."</li> </ul> <p>In Section 7.6.2 Burst-mode detection:</p> <ul style="list-style-type: none"> <li>• Removed sentence from "For the correct operation of the SRK2001..." to "...it is recommended to keep the PROG pin open"</li> </ul> <p>In Section 8.1 SSOP10 package information:</p> <ul style="list-style-type: none"> <li>• updated Figure 10. SSOP10 package outline</li> <li>• updated Table 6. SSOP10 package mechanical data</li> </ul>

## Contents

<b>1</b>	<b>Block diagrams</b> .....	<b>2</b>
<b>2</b>	<b>Pin connections and functions</b> .....	<b>3</b>
<b>3</b>	<b>Absolute maximum ratings</b> .....	<b>4</b>
<b>4</b>	<b>Thermal data</b> .....	<b>5</b>
<b>5</b>	<b>Typical application schematic</b> .....	<b>6</b>
<b>6</b>	<b>Electrical characteristics</b> .....	<b>7</b>
<b>7</b>	<b>Operation description</b> .....	<b>9</b>
7.1	Drain voltage sensing .....	9
7.2	Turn-on.....	9
7.3	Adaptive turn-off .....	11
7.4	ZCD_OFF comparator turn-off.....	12
7.5	Gate drive.....	12
7.6	EN and PROG pins: function and usage .....	13
7.6.1	EN pin remote on-off .....	13
7.6.2	Burst-mode detection .....	13
7.6.3	Low consumption state exit.....	14
7.7	Layout guidelines .....	14
<b>8</b>	<b>Package information</b> .....	<b>15</b>
8.1	SSOP10 package information .....	15
	<b>Revision history</b> .....	<b>17</b>

## List of figures

Figure 1.	Internal block diagram . . . . .	2
Figure 2.	Typical system block diagram . . . . .	2
Figure 3.	Pin connections (top view) . . . . .	3
Figure 4.	Typical application schematic . . . . .	6
Figure 5.	Typical waveforms . . . . .	10
Figure 6.	Capacitive current spike effect at turn-on . . . . .	10
Figure 7.	Full load and light load turn-on . . . . .	11
Figure 8.	Adaptive turn-off . . . . .	11
Figure 9.	EN - PROG pin configurations . . . . .	13
Figure 10.	SSOP10 package outline . . . . .	15

## List of tables

<b>Table 1.</b>	Pin functions . . . . .	3
<b>Table 2.</b>	Absolute maximum ratings . . . . .	4
<b>Table 3.</b>	Thermal data . . . . .	5
<b>Table 4.</b>	Electrical characteristics . . . . .	7
<b>Table 5.</b>	Burst-mode exiting lookup table . . . . .	14
<b>Table 6.</b>	SSOP10 package mechanical data . . . . .	16
<b>Table 7.</b>	Document revision history . . . . .	17

**IMPORTANT NOTICE – PLEASE READ CAREFULLY**

STMicroelectronics NV and its subsidiaries (“ST”) reserve the right to make changes, corrections, enhancements, modifications, and improvements to ST products and/or to this document at any time without notice. Purchasers should obtain the latest relevant information on ST products before placing orders. ST products are sold pursuant to ST’s terms and conditions of sale in place at the time of order acknowledgement.

Purchasers are solely responsible for the choice, selection, and use of ST products and ST assumes no liability for application assistance or the design of Purchasers’ products.

No license, express or implied, to any intellectual property right is granted by ST herein.

Resale of ST products with provisions different from the information set forth herein shall void any warranty granted by ST for such product.

ST and the ST logo are trademarks of ST. For additional information about ST trademarks, please refer to [www.st.com/trademarks](http://www.st.com/trademarks). All other product or service names are the property of their respective owners.

Information in this document supersedes and replaces information previously supplied in any prior versions of this document.

© 2021 STMicroelectronics – All rights reserved

## X-ON Electronics

Largest Supplier of Electrical and Electronic Components

*Click to view similar products for [Power Management Specialised - PMIC category](#):*

*Click to view products by [STMicroelectronics manufacturer](#):*

Other Similar products are found below :

[LV5686PVC-XH](#) [FAN7710VN](#) [NCP391FCALT2G](#) [SLG7NT4081VTR](#) [SLG7NT4192VTR](#) [AP4313UKTR-G1](#) [AS3729B-BWLM](#)  
[MB39C831QN-G-EFE2](#) [MAX4940MB](#) [LV56841PVD-XH](#) [MAX77686EWE+T](#) [AP4306BUKTR-G1](#) [MIC5164YMM](#) [PT8A3252WE](#)  
[NCP392CSFCCT1G](#) [TEA1998TS/1H](#) [PT8A3284WE](#) [PI3VST01ZEEX](#) [PI5USB1458AZAEX](#) [PI5USB1468AZAEX](#) [MCP16502TAC-E/S8B](#)  
[MCP16502TAE-E/S8B](#) [MCP16502TAA-E/S8B](#) [MCP16502TAB-E/S8B](#) [ISL91211AIKZT7AR5874](#) [ISL91211BIKZT7AR5878](#)  
[MAX17506EVKITBE#](#) [MCP16501TC-E/RMB](#) [ISL91212AIIZ-TR5770](#) [ISL91212BIIZ-TR5775](#) [CPX200D](#) [TP-1303](#) [TP-1305](#) [TP-1603](#) [TP-](#)  
[2305](#) [TP-30102](#) [TP-4503N](#) [MIC5167YML-TR](#) [LPTM21-1AFTG237C](#) [MPS-3003L-3](#) [MPS-3005D](#) [NCP392ARFCCT1G](#) [SPD-3606](#)  
[MMPF0200F6AEP](#) [STLUX383A](#) [TP-60052](#) [ADN8834ACBZ-R7](#) [LM26480SQ-AA/NOPB](#) [LM81BIMTX-3/NOPB](#) [LM81CIMT-3/NOPB](#)