

## Automotive-grade N-channel 330 V, 160 mΩ typ., 18 A STripFET™ II Power MOSFET in a D<sup>2</sup>PAK package

Datasheet - production data

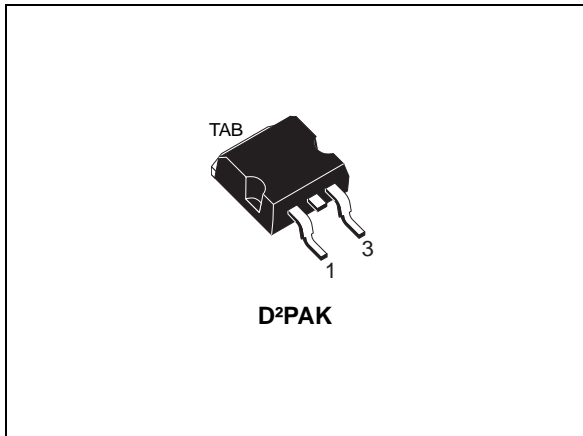
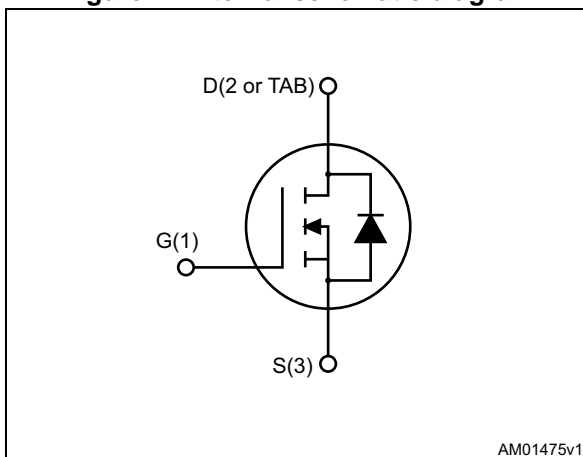


Figure 1. Internal schematic diagram



### Features

Order code	V <sub>DSS</sub>	R <sub>DS(on)</sub> max.	I <sub>D</sub>
STB18NF30	330 V	180 mΩ	18 A

- Designed for automotive applications and AEC-Q101 qualified
- 100% avalanche tested
- 175 °C junction temperature

### Applications

- Switching applications

### Description

This Power MOSFET has been developed using STMicroelectronics' unique STripFET process, which is specifically designed to minimize input capacitance and gate charge. This renders the device suitable for use as primary switch in advanced high-efficiency isolated DC-DC converters for telecom and computer applications, and applications with low gate charge driving requirements.

Table 1. Device summary

Order code	Marking	Package	Packaging
STB18NF30	18NF30	D <sup>2</sup> PAK	Tape and reel

# Contents

<b>1</b>	<b>Electrical ratings</b> .....	<b>3</b>
<b>2</b>	<b>Electrical characteristics</b> .....	<b>4</b>
2.1	Electrical characteristics (curves) .....	6
<b>3</b>	<b>Test circuits</b> .....	<b>8</b>
<b>4</b>	<b>Package mechanical data</b> .....	<b>9</b>
<b>5</b>	<b>Packaging mechanical data</b> .....	<b>12</b>
<b>6</b>	<b>Revision history</b> .....	<b>14</b>



# 1 Electrical ratings

**Table 2. Absolute maximum ratings**

Symbol	Parameter	Value	Unit
$V_{DS}$	Drain-source voltage	330	V
$V_{GS}$	Gate-source voltage	$\pm 20$	V
$I_D^{(1)}$	Drain current (continuous) at $T_C = 25\text{ }^\circ\text{C}$	18	A
	Drain current (continuous) at $T_C = 100\text{ }^\circ\text{C}$	12	A
$I_{DM}^{(2)}$	Drain current (pulsed)	72	A
$P_{TOT}$	Total dissipation at $T_C = 25\text{ }^\circ\text{C}$	150	W
$dv/dt^{(3)}$	Peak diode recovery voltage slope	10	V/ns
$T_{stg}$	Storage temperature	-55 to 175	$^\circ\text{C}$
$T_J$	Operating junction temperature		

1. The value is rated according to  $R_{thj-c}$ .
2. Pulse is rated according to SOA.
3.  $I_{SD} \leq 18\text{ A}$ ,  $di/dt \leq 200\text{ A}/\mu\text{s}$ ,  $V_{DD} \leq 80\%V_{(BR)DSS}$

**Table 3. Thermal data**

Symbol	Parameter	Value	Unit
$R_{thj-case}$	Thermal resistance junction-case	1	$^\circ\text{C}/\text{W}$
$R_{thj-pcb}^{(1)}$	Thermal resistance junction-pcb	30	

1. When mounted on 1 inch<sup>2</sup> FR-4, 2 Oz copper board.

**Table 4. Avalanche data**

Symbol	Parameter	Value	Unit
$I_{AV}$	Non-repetitive avalanche current	14	A
$E_{AS}$	Single pulse avalanche energy (starting $T_J=25\text{ }^\circ\text{C}$ , $I_D=I_{AV}$ , $V_{DD}=50\text{ V}$ )	200	mJ

## 2 Electrical characteristics

( $T_{CASE}=25\text{ °C}$  unless otherwise specified).

**Table 5. On/off states**

Symbol	Parameter	Test conditions	Min.	Typ.	Max.	Unit
$V_{(BR)DSS}$	Drain-source breakdown voltage	$I_D=1\text{ mA}$ , $V_{GS}=0$	330	-		V
$I_{DSS}$	Zero gate voltage drain current ( $V_{GS} = 0$ )	$V_{DS}=330\text{ V}$		-	1	$\mu\text{A}$
		$V_{DS}=330\text{ V}$ , $T_c=125\text{ °C}$			50	$\mu\text{A}$
$I_{GSS}$	Gate body leakage current ( $V_{DS} = 0$ )	$V_{GS}=\pm 20\text{ V}$		-	$\pm 100$	nA
$V_{GS(th)}$	Gate threshold voltage	$V_{DS}=V_{GS}$ , $I_D=250\text{ }\mu\text{A}$	2	-	4	V
$R_{DS(on)}$	Static drain-source on-resistance	$V_{GS}=10\text{ V}$ , $I_D=9\text{ A}$		160	180	m $\Omega$

**Table 6. Dynamic**

Symbol	Parameter	Test conditions	Min.	Typ.	Max.	Unit
$C_{iss}$	Input capacitance	$V_{DS}=25\text{ V}$ , $f=1\text{ MHz}$ , $V_{GS}=0\text{ V}$	-	1650	-	pF
$C_{oss}$	Output capacitance		-	220		pF
$C_{riss}$	Reverse transfer capacitance		-	30		pF
$Q_g$	Total gate charge	$V_{DD}=264\text{ V}$ , $I_D=18\text{ A}$ , $V_{GS}=10\text{ V}$ (see <a href="#">Figure 14</a> )	-	44	-	nC
$Q_{gs}$	Gate-source charge		-	7	-	nC
$Q_{gd}$	Gate-drain charge		-	17	-	nC

**Table 7. Switching times**

Symbol	Parameter	Test conditions	Min.	Typ.	Max.	Unit
$t_{d(on)}$	Turn-on delay time	$V_{DD}=165\text{ V}$ , $I_D=9\text{ A}$ , $R_G=4.70\text{ }\Omega$ , $V_{GS}=10\text{ V}$ (see <a href="#">Figure 13</a> )	-	20	-	ns
$t_r$	Rise time		-	18	-	ns
$t_{d(off)}$	Turn-off delay time		-	145	-	ns
$t_f$	Fall time		-	45	-	ns

Table 8. Source drain diode

Symbol	Parameter	Test conditions	Min.	Typ.	Max.	Unit
$I_{SD}$	Source-drain current		-		18	A
$I_{SDM}$	Source-drain current (pulsed)		-		72	A
$V_{SD}$	Forward on voltage	$I_{SD}=18\text{ A}$ , $V_{GS}=0\text{ V}$	-		1.5	V
$t_{rr}$	Reverse recovery time	$I_{SD}=18\text{ A}$ , $di/dt=100\text{ A}/\mu\text{s}$ , $V_{DD}=100\text{ V}$ (see <a href="#">Figure 15</a> )	-	180	400	ns
$Q_{rr}$	Reverse recovery charge		-	1.5		$\mu\text{C}$
$I_{RRM}$	Reverse recovery current		-	16		A
$t_{rr}$	Reverse recovery time	$I_{SD}=18\text{ A}$ , $di/dt=100\text{ A}/\mu\text{s}$ , $V_{DD}=100\text{ V}$ , $T_j=150\text{ }^\circ\text{C}$ (see <a href="#">Figure 15</a> )	-	210		ns
$Q_{rr}$	Reverse recovery charge		-	1.9		$\mu\text{C}$
$I_{RRM}$	Reverse recovery current		-	19		A

## 2.1 Electrical characteristics (curves)

Figure 2. Safe operating area

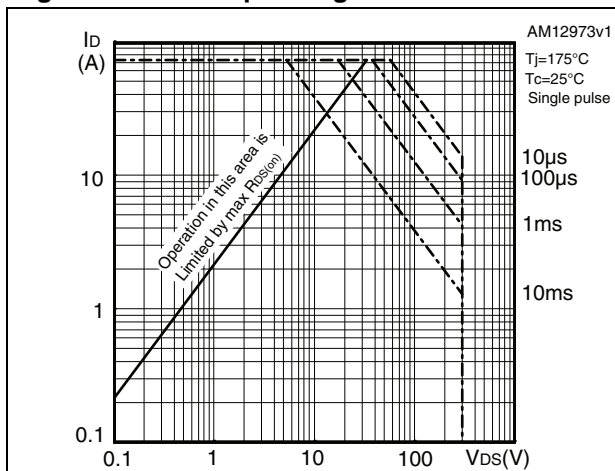


Figure 3. Thermal impedance

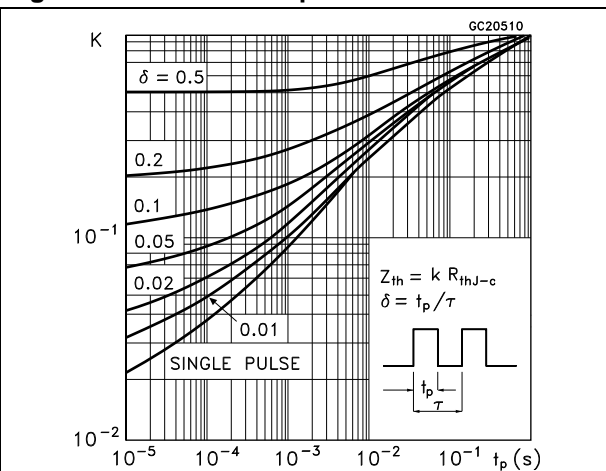


Figure 4. Output characteristics

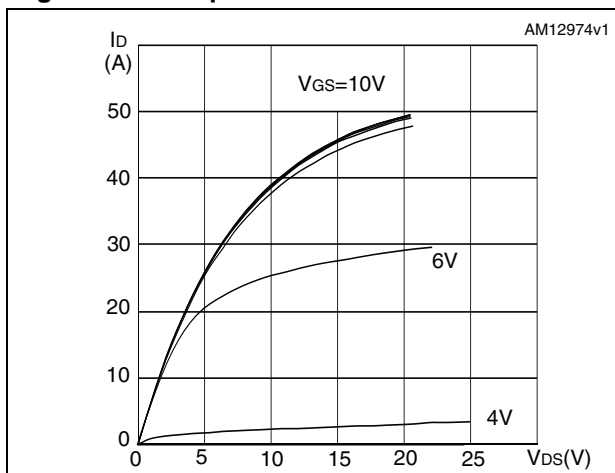


Figure 5. Transfer characteristics

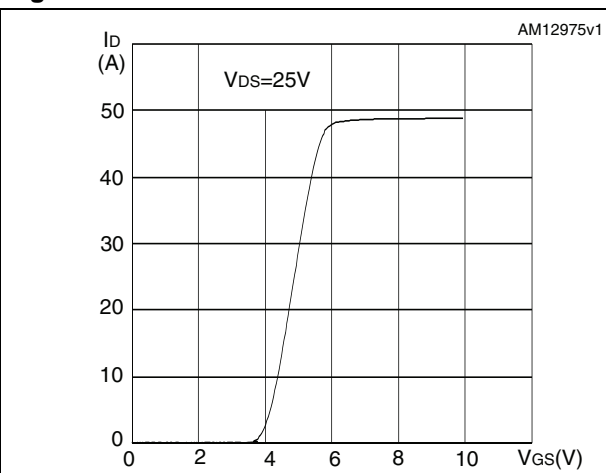


Figure 6. Normalized  $B_{V_{DSS}}$  vs temperature

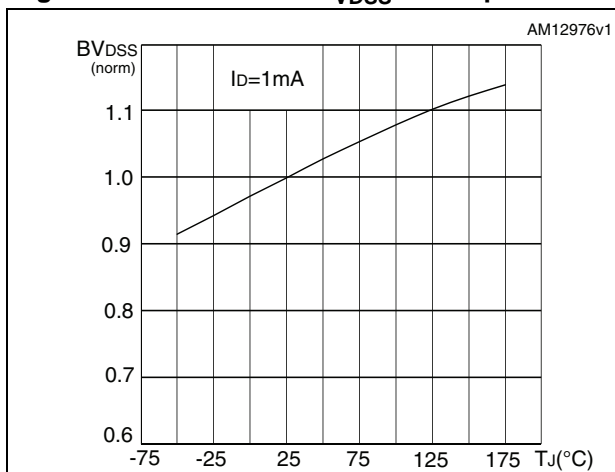


Figure 7. Static drain-source on-resistance

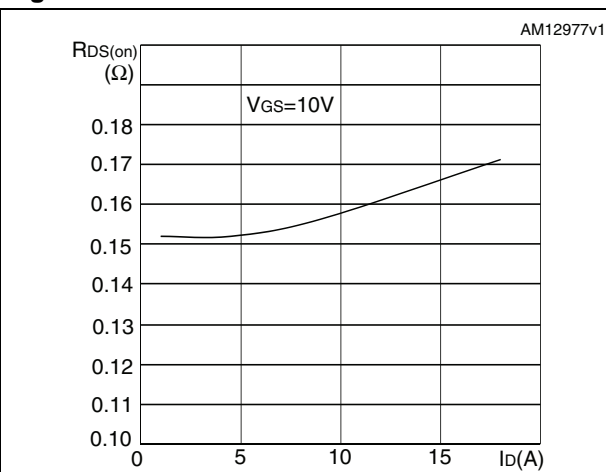


Figure 8. Gate charge vs gate-source voltage Figure 9. Capacitance variations

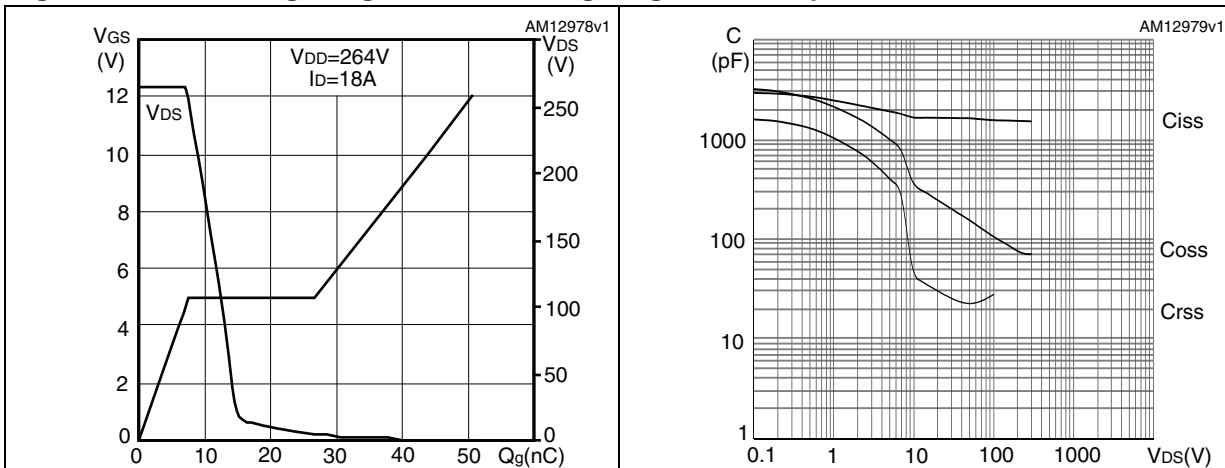


Figure 10. Normalized gate threshold voltage vs temperature Figure 11. Normalized on-resistance vs temperature

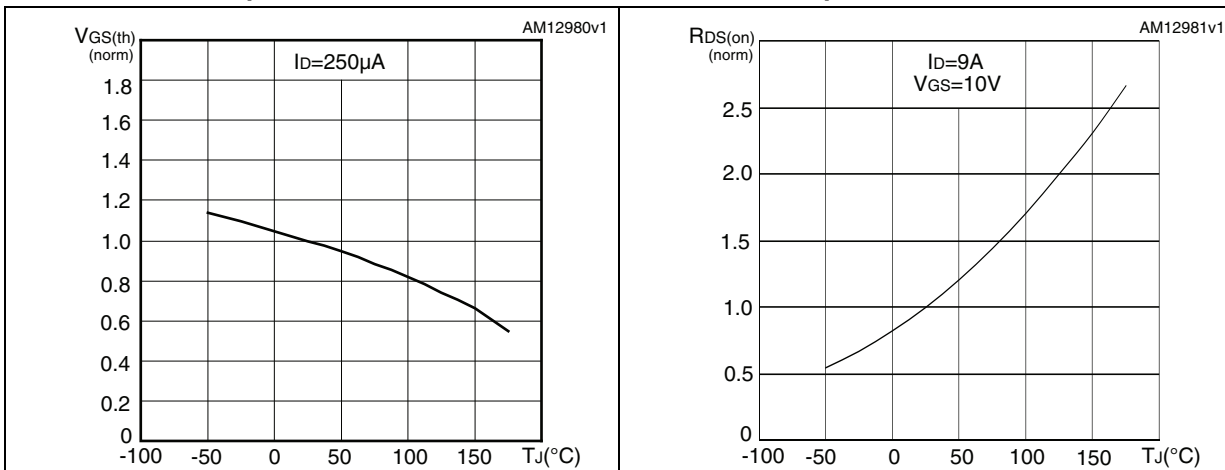
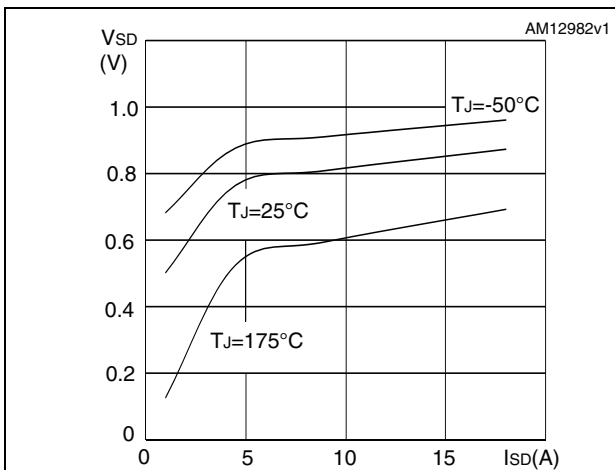


Figure 12. Source-drain diode forward characteristics

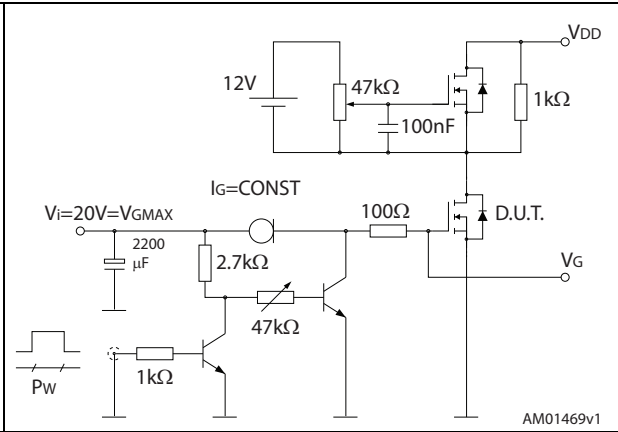


### 3 Test circuits

**Figure 13. Switching times test circuit for resistive load**



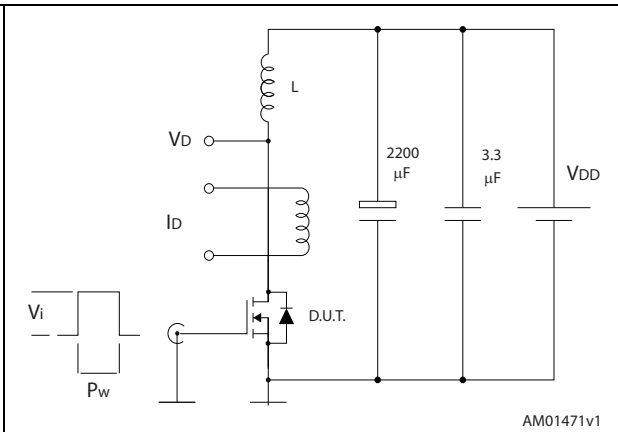
**Figure 14. Gate charge test circuit**



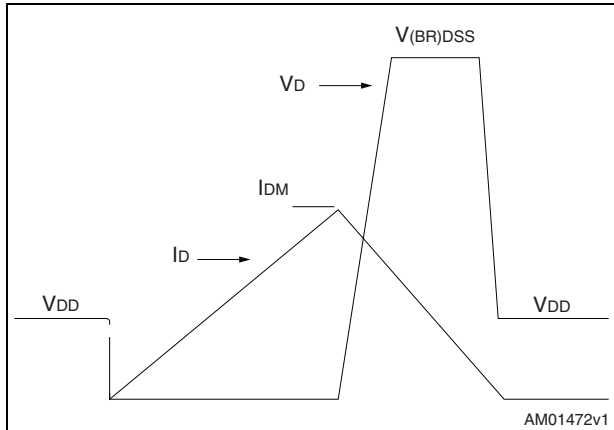
**Figure 15. Test circuit for inductive load switching and diode recovery times**



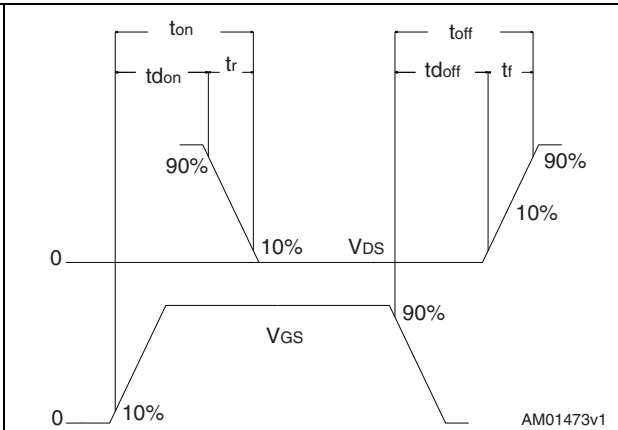
**Figure 16. Unclamped inductive load test circuit**



**Figure 17. Unclamped inductive waveform**



**Figure 18. Switching time waveform**





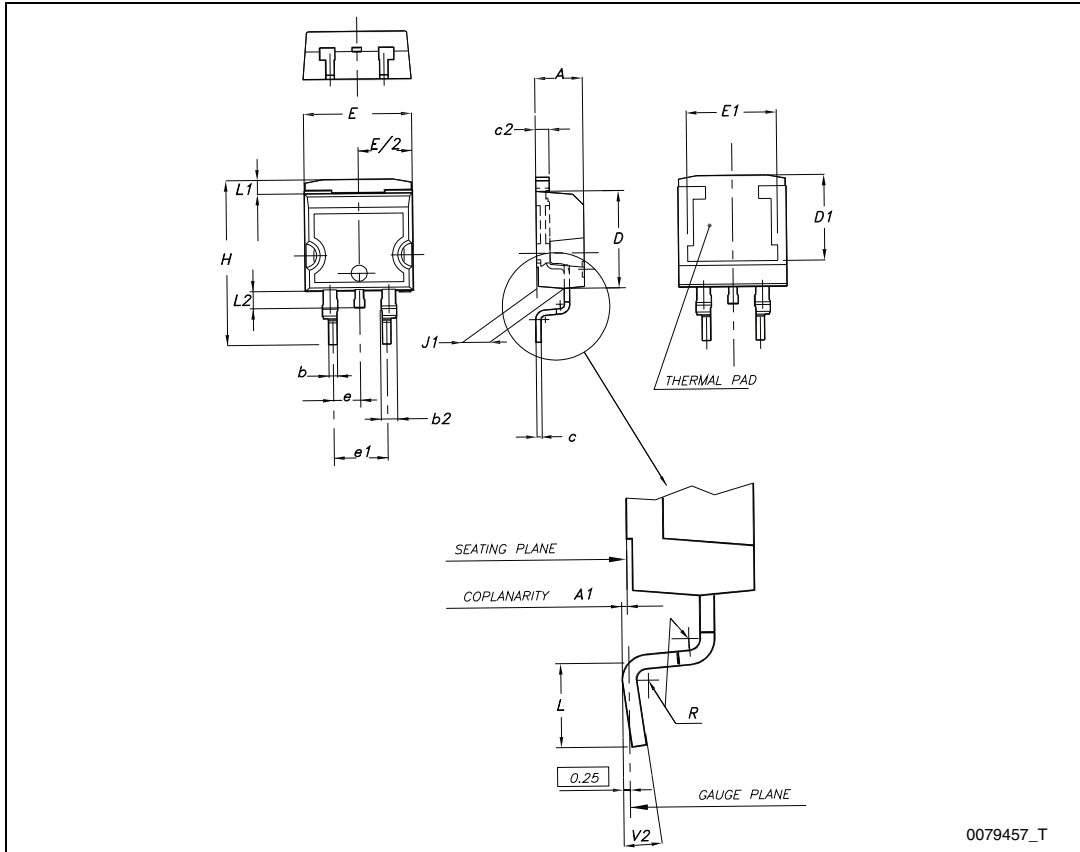
## 4 Package mechanical data

In order to meet environmental requirements, ST offers these devices in different grades of ECOPACK<sup>®</sup> packages, depending on their level of environmental compliance. ECOPACK<sup>®</sup> specifications, grade definitions and product status are available at: [www.st.com](http://www.st.com). ECOPACK<sup>®</sup> is an ST trademark.

Table 9. D<sup>2</sup>PAK (TO-263) mechanical data

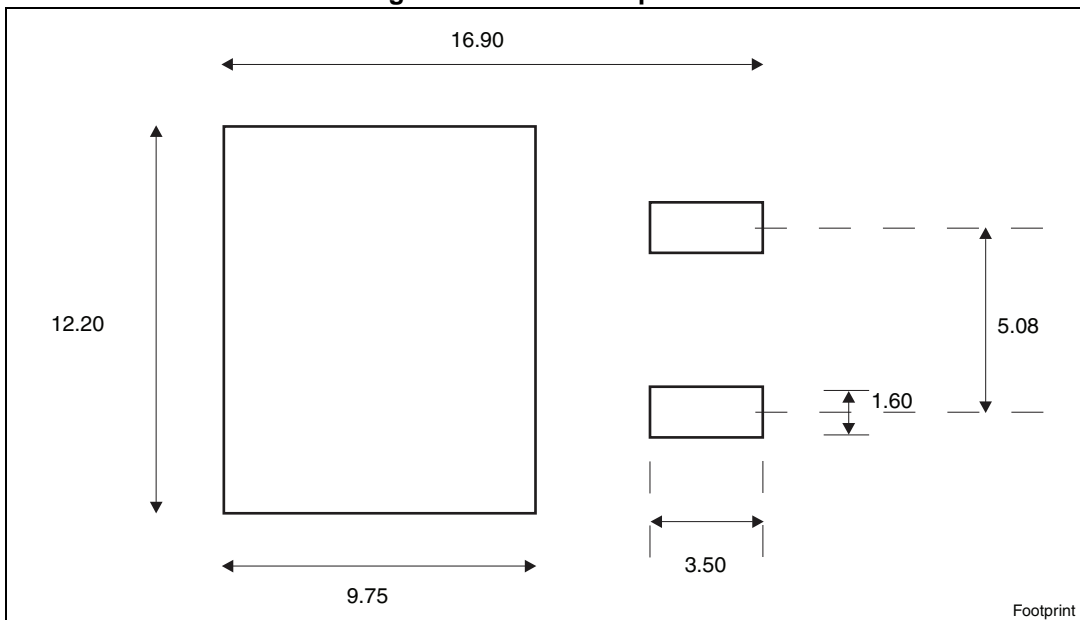
Dim.	mm		
	Min.	Typ.	Max.
A	4.40		4.60
A1	0.03		0.23
b	0.70		0.93
b2	1.14		1.70
c	0.45		0.60
c2	1.23		1.36
D	8.95		9.35
D1	7.50		
E	10		10.40
E1	8.50		
e		2.54	
e1	4.88		5.28
H	15		15.85
J1	2.49		2.69
L	2.29		2.79
L1	1.27		1.40
L2	1.30		1.75
R		0.4	
V2	0°		8°

Figure 19. D<sup>2</sup>PAK (TO-263) drawing



0079457\_T

Figure 20. D<sup>2</sup>PAK footprint<sup>(a)</sup>



a. All dimension are in millimeters

## 5 Packaging mechanical data

Table 10. D<sup>2</sup>PAK (TO-263) tape and reel mechanical data

Tape			Reel		
Dim.	mm		Dim.	mm	
	Min.	Max.		Min.	Max.
A0	10.5	10.7	A		330
B0	15.7	15.9	B	1.5	
D	1.5	1.6	C	12.8	13.2
D1	1.59	1.61	D	20.2	
E	1.65	1.85	G	24.4	26.4
F	11.4	11.6	N	100	
K0	4.8	5.0	T		30.4
P0	3.9	4.1			
P1	11.9	12.1	Base qty		1000
P2	1.9	2.1	Bulk qty		1000
R	50				
T	0.25	0.35			
W	23.7	24.3			

Figure 21. Tape

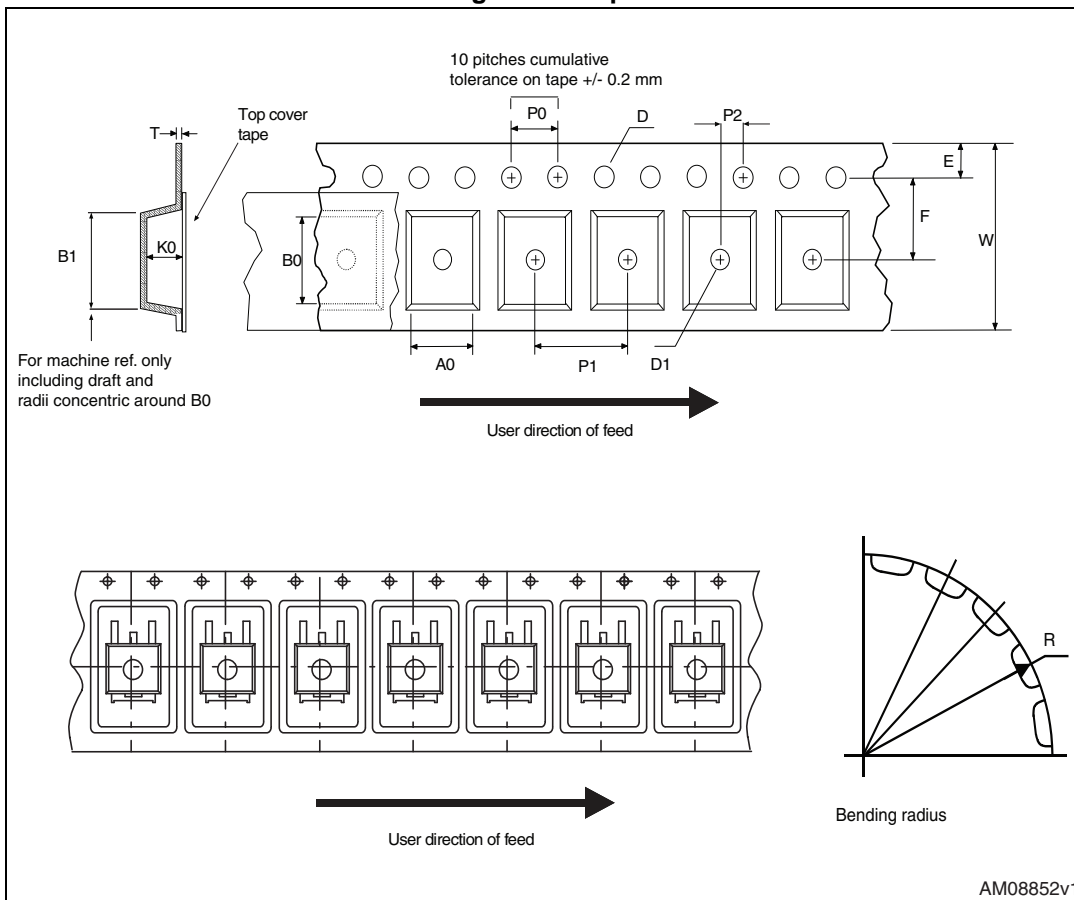
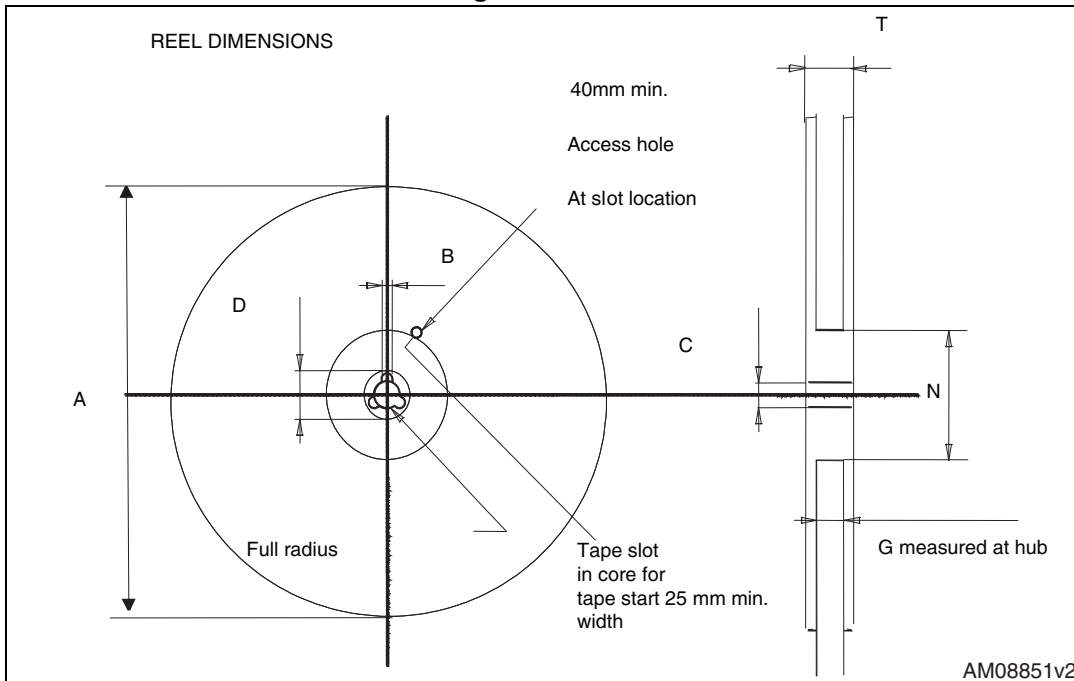


Figure 22. Reel



## 6 Revision history

Table 11. Document revision history

Date	Revision	Changes
13-Jan-2012	1	First release
23-May-2012	2	<i>Section 2.1: Electrical characteristics (curves)</i> has been added. Document status promoted from preliminary data to production data.
06-Aug-2013	3	<ul style="list-style-type: none"><li>– Updated: <i>Section 4: Package mechanical data</i></li><li>– Updated: <i>Figure 13, 14, 15 and 16</i></li><li>– Added: dv/dt in <i>Table 2</i></li><li>– Minor text changes</li></ul>

**Please Read Carefully:**

Information in this document is provided solely in connection with ST products. STMicroelectronics NV and its subsidiaries ("ST") reserve the right to make changes, corrections, modifications or improvements, to this document, and the products and services described herein at any time, without notice.

All ST products are sold pursuant to ST's terms and conditions of sale.

Purchasers are solely responsible for the choice, selection and use of the ST products and services described herein, and ST assumes no liability whatsoever relating to the choice, selection or use of the ST products and services described herein.

No license, express or implied, by estoppel or otherwise, to any intellectual property rights is granted under this document. If any part of this document refers to any third party products or services it shall not be deemed a license grant by ST for the use of such third party products or services, or any intellectual property contained therein or considered as a warranty covering the use in any manner whatsoever of such third party products or services or any intellectual property contained therein.

**UNLESS OTHERWISE SET FORTH IN ST'S TERMS AND CONDITIONS OF SALE ST DISCLAIMS ANY EXPRESS OR IMPLIED WARRANTY WITH RESPECT TO THE USE AND/OR SALE OF ST PRODUCTS INCLUDING WITHOUT LIMITATION IMPLIED WARRANTIES OF MERCHANTABILITY, FITNESS FOR A PARTICULAR PURPOSE (AND THEIR EQUIVALENTS UNDER THE LAWS OF ANY JURISDICTION), OR INFRINGEMENT OF ANY PATENT, COPYRIGHT OR OTHER INTELLECTUAL PROPERTY RIGHT.**

**ST PRODUCTS ARE NOT AUTHORIZED FOR USE IN WEAPONS. NOR ARE ST PRODUCTS DESIGNED OR AUTHORIZED FOR USE IN: (A) SAFETY CRITICAL APPLICATIONS SUCH AS LIFE SUPPORTING, ACTIVE IMPLANTED DEVICES OR SYSTEMS WITH PRODUCT FUNCTIONAL SAFETY REQUIREMENTS; (B) AERONAUTIC APPLICATIONS; (C) AUTOMOTIVE APPLICATIONS OR ENVIRONMENTS, AND/OR (D) AEROSPACE APPLICATIONS OR ENVIRONMENTS. WHERE ST PRODUCTS ARE NOT DESIGNED FOR SUCH USE, THE PURCHASER SHALL USE PRODUCTS AT PURCHASER'S SOLE RISK, EVEN IF ST HAS BEEN INFORMED IN WRITING OF SUCH USAGE, UNLESS A PRODUCT IS EXPRESSLY DESIGNATED BY ST AS BEING INTENDED FOR "AUTOMOTIVE, AUTOMOTIVE SAFETY OR MEDICAL" INDUSTRY DOMAINS ACCORDING TO ST PRODUCT DESIGN SPECIFICATIONS. PRODUCTS FORMALLY ESCC, QML OR JAN QUALIFIED ARE DEEMED SUITABLE FOR USE IN AEROSPACE BY THE CORRESPONDING GOVERNMENTAL AGENCY.**

Resale of ST products with provisions different from the statements and/or technical features set forth in this document shall immediately void any warranty granted by ST for the ST product or service described herein and shall not create or extend in any manner whatsoever, any liability of ST.

ST and the ST logo are trademarks or registered trademarks of ST in various countries.

Information in this document supersedes and replaces all information previously supplied.

The ST logo is a registered trademark of STMicroelectronics. All other names are the property of their respective owners.

© 2013 STMicroelectronics - All rights reserved

STMicroelectronics group of companies

Australia - Belgium - Brazil - Canada - China - Czech Republic - Finland - France - Germany - Hong Kong - India - Israel - Italy - Japan - Malaysia - Malta - Morocco - Philippines - Singapore - Spain - Sweden - Switzerland - United Kingdom - United States of America

[www.st.com](http://www.st.com)



## X-ON Electronics

Largest Supplier of Electrical and Electronic Components

*Click to view similar products for [MOSFET](#) category:*

*Click to view products by [STMicroelectronics](#) manufacturer:*

Other Similar products are found below :

[614233C](#) [648584F](#) [IRFD120](#) [JANTX2N5237](#) [FCA20N60\\_F109](#) [FDZ595PZ](#) [2SK2545\(Q,T\)](#) [405094E](#) [423220D](#) [TPCC8103,L1Q\(CM](#)  
[MIC4420CM-TR](#) [VN1206L](#) [SBVS138LT1G](#) [614234A](#) [715780A](#) [NTNS3166NZT5G](#) [SSM6J414TU,LF\(T](#) [751625C](#) [BUK954R8-60E](#)  
[DMN3404LQ-7](#) [NTE6400](#) [SQJ402EP-T1-GE3](#) [2SK2614\(TE16L1,Q\)](#) [2N7002KW-FAI](#) [DMN1017UCP3-7](#) [EFC2J004NUZTDG](#) [ECH8691-](#)  
[TL-W](#) [FCAB21350L1](#) [P85W28HP2F-7071](#) [DMN1053UCP4-7](#) [NTE221](#) [NTE2384](#) [NTE2903](#) [NTE2941](#) [NTE2945](#) [NTE2946](#) [NTE2960](#)  
[NTE2967](#) [NTE2969](#) [NTE2976](#) [NTE455](#) [NTE6400A](#) [NTE2910](#) [NTE2916](#) [NTE2956](#) [NTE2911](#) [DMN2080UCB4-7](#) [TK10A80W,S4X\(S](#)  
[SSM6P69NU,LF](#) [DMP22D4UFO-7B](#)