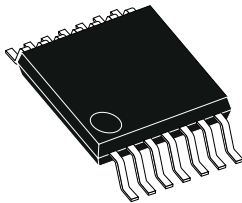


## 8 V to 48 V fully programmable universal electronic fuse



HTSSOP14

### Features

- Operating input voltage range: 8 to 48 V
- Absolute maximum input voltage: 55 V
- Continuous current typ.: 4 A
- N-channel on-resistance typ.: 30 mΩ
- Enable/fault functions
- Output clamp voltage: adjustable from 10 to 52 V
- Programmable undervoltage lockout
- Short-circuit current limit
- Programmable overload current limit
- Adjustable soft-start time
- Latch or auto-retry thermal protection
- Maximum allowable power protection
- Power Good
- Drives an optional external reverse current protection MOSFET
- Operating junction temperature -40 °C to 125 °C
- HTSSOP14 package

### Applications

- Hot board insertion
- Electronic circuit breaker/power busing
- Industrial/alarm/lighting systems
- Distributed power systems
- Telecom power modules

### Description

The **STEF01** is a universal integrated electronic fuse optimized for monitoring output current and the input voltage on DC power lines.

When connected in series to the main power rail, it is able to detect and react to overcurrent and overvoltage conditions. When an overload condition occurs, the device limits the output current to a safe value defined by the user. If the anomalous overload condition persists, the device goes into an open state, disconnecting the load from the power supply.

The device is fully programmable. UVLO, overvoltage clamp and start-up time can be set by means of external components.

The adjustable turn-on time is useful to keep the in-rush current under control during startup and hot-swap operations. The device provides either thermal latch and auto-retry protection modes, which are selectable by means of a dedicated pin.

The **STEF01** provides a gate driver pin for an external power MOSFET to implement a reverse-current blocking circuit. The intervention of the thermal protection is signaled to the board monitoring circuits through a signal on the fault pin.

#### Maturity status link

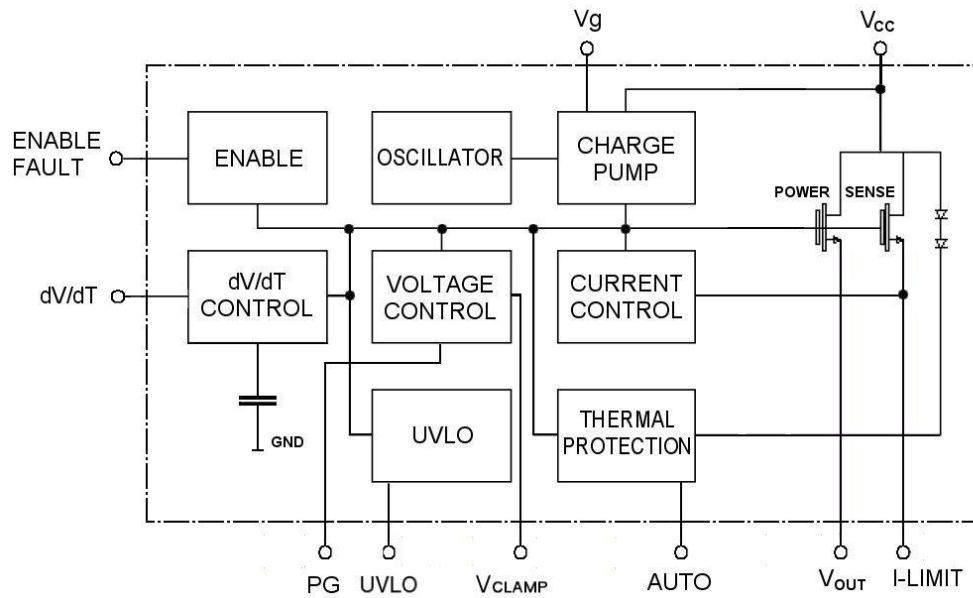
STEF01

#### Device summary

<b>Order code</b>	STEF01FTR
<b>Package</b>	HTSSOP14
<b>Packing</b>	Tape and reel

# 1 Device block diagram

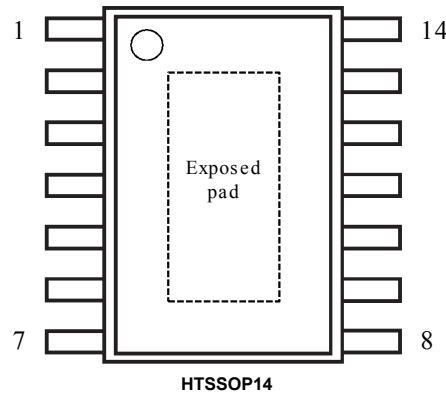
Figure 1. Block diagram



GIPD010220161057MT

## 2 Pin configuration

**Figure 2. Pin configuration (top view)**



GIPD010220161207MT

**Table 1. Pin description**

Pin n°	Symbol	Note
1	UVLO	A resistor divider connected between this pin, V <sub>CC</sub> and GND sets the UVLO threshold. If left floating the UVLO is preset to 14.5 V.
2	dv/dt	The internal dv/dt circuit controls the slew rate of the output voltage at turn-on. The internal capacitor allows a ramp-up time of around 3 ms. An external capacitor can be added to this pin to increase the ramp-up time. If an additional capacitor is not required, this pin should be left open.
3	GND	Ground pin.
4	Auto	This pin selects the thermal protection behavior. The device is set in latched mode when this pin is left floating or connected to a voltage higher than 1 V. It is set in auto-retry mode when the pin is connected to GND.
5	Vclamp	A resistor divider connected between this pin, V <sub>OUT</sub> and GND sets the overvoltage clamp level. If left floating the clamp is preset to 28 V.
6, 7, 8, 9	V <sub>OUT</sub>	Output port. All the pins must be tied together with short copper tracks.
10	I-Limit	A resistor between this pin and V <sub>OUT</sub> sets the overload current limit level.
11	Vg	Gate driver output for the optional external reverse-blocking MOSFET.
12	En/Fault	Tri-state, bi-directional pin. During normal operation the pin must be left floating, or it can be used to disable the output of the device by pulling it to ground using an open drain or open collector device. If a thermal fault occurs, the voltage on this pin will go to an intermediate state to signal a monitoring circuit that the device is in thermal shutdown. It can be connected to another device of this family to cause a simultaneous shutdown during thermal events.
13	PG	Power Good flag. It is an open drain, to be pulled up through an external resistor.
14	V <sub>CC</sub>	Input port. Connect this pin to the exposed pad.
Exposed pad	V <sub>CC</sub>	Exposed pad. Input port of the device, internally connected to the power element drain.

### 3 Maximum ratings

**Table 2. Absolute maximum ratings**

Symbol	Parameter	Value	Unit
$V_{CC}$	Positive power supply voltage	-0.3 to 55	V
$V_{OUT/source}$	Output voltage pin	-0.3 to $V_{CC}$	V
I-Limit	Current sense resistor pin	-0.3 to $V_{CC}$	V
$I_D$	Continuous current	6	A
PG	Power good flag pin	-0.3 to $V_{CC}$	V
Vclamp, UVLO	Vclamp, UVLO pins	-0.3 to 7	V
En/Fault	Enable/Fault pin	-0.3 to 7	V
dv/dt	Startup time selection pin	-0.3 to 7	V
Auto	Auto retry selection pin	-0.3 to 7	V
Vg	Gate driver pin	-0.3 to 65	V
$T_J$	Maximum junction temperature <sup>(1)</sup>	150	°C
$T_{STG}$	Storage temperature range	-65 to 150	°C
$T_{LEAD}$	Lead temperature (soldering) 10 s	260	°C

1. The thermal limit is set above the maximum thermal rating. It is not recommended to operate the device at temperatures greater than the maximum ratings for extended periods of time.

**Note:** Absolute maximum ratings are those values beyond which damage to the device may occur. Functional operation under these conditions is not implied.

**Table 3. Recommended operating condition**

Symbol	Parameter	Value	Unit
$V_{CC}$	Operating power supply voltage, steady state	8 to 48	V
	Maximum power supply voltage, clamping active	52	V
$R_{Limit}$	Current sense resistor range <sup>(1)</sup>	8 to 1000	$\Omega$
$I_D$	Continuous current	4	A
$T_J$	Operating junction temperature	-40 to 125	°C

1. Important: The  $R_{Limit}$  resistor is mandatory in the application. Very low values of the  $R_{Limit}$  or lack of connection of  $R_{Limit}$  may lead to malfunction of current limiting circuit and to device damage.

**Table 4. Thermal data**

Symbol	Parameter	HTSSOP14	Unit
$R_{thJA}$	Thermal resistance junction-ambient, 2 layer PCB	140	°C/W
	Thermal resistance junction-ambient, 4 layer PCB	40	
$R_{thJC}$	Thermal resistance junction-case	4	°C/W

## 4 Electrical characteristics

$V_{CC} = 24\text{ V}$ ,  $V_{EN} = \text{floating}$ ,  $C_I = 10\ \mu\text{F}$ ,  $C_O = 47\ \mu\text{F}$ ,  $T_J = 25\ ^\circ\text{C}$  (unless otherwise specified).

**Table 5. Electrical characteristics for STEF01**

Symbol	Parameter	Test conditions	Min.	Typ.	Max.	Unit
<b>Under/over voltage protection</b>						
$V_{Clamp}$	Output clamping voltage	$V_{CC} = 36\text{ V}$ , $V_{Clamp} = \text{floating}$		28		V
	Accuracy		-5		+5	%
	Output clamping voltage range	With external resistor divider on Vclamp pin	10		52	V
$V_{ON}$	Under voltage lockout threshold	Turn on, voltage going up, UVLO = floating	13	14.5	16	V
	Under voltage lockout range	With external resistor divider on UVLO pin	8		45	V
$V_{Hyst}$	UVLO hysteresis			10		%
<b>Power MOSFET</b>						
$R_{DSon}$	ON resistance	$I_D = 1\text{ A}$ <sup>(1)</sup>		30	50	mΩ
		$-40\ ^\circ\text{C} < T_J < 125\ ^\circ\text{C}$ <sup>(2)</sup>			70	
$V_{OFF}$	Off state output voltage	$V_{CC} = 36\text{ V}$ , $V_{GS} = 0$ , $R_L = \text{infinite}$		1	20	mV
<b>Current limit</b>						
$I_{Short}$	Short circuit current limit	$R_{Limit} = 22\ \Omega$ , $V_{OUT} = \text{gnd}$		1.5		A
$I_{Lim}$	Overload current limit	$R_{Limit} = 22\ \Omega$ , $V_{OUT} = V_{CC} - 2\text{ V}$ , $V_{CC} > 8\text{ V}$	3.2	4	4.8	A
<b>dv/dt circuit</b>						
dv/dt	Output voltage ramp time	Enable to $V_{OUT} = 22\text{ V}$ , No $C_{dv/dt}$		3		ms
		Enable to $V_{OUT} = 46\text{ V}$ , $V_{CC} = 48\text{ V}$ , $V_{Clamp} = 52\text{ V}$ , no $C_{dv/dt}$		3.6		
$I_{dv/dt}$	dv/dt source pin current			100		nA
<b>Enable/Fault</b>						
$V_{IL}$	Low level input voltage	Output disabled	0		0.4	V
$V_{I(INT)}$	Intermediate level input voltage	Thermal fault, output disabled		1.4		V
$V_{IH}$	High level input voltage	Output enabled	2.8		5	V
$V_{I(MAX)}$	High state maximum voltage	Pin floating	4.7	5	5.3	V
$I_{IL}$	Low level input current (sink)	$V_{Enable} = 0\text{ V}$		-20	-40	μA
	Maximum fan-out for fault signal	Total number of chips that can be connected to this pin for simultaneous shutdown			5	Units
<b>Power Good</b>						
$V_D$	Power Good output threshold	$V_{CC} - V_{OUT}$ value for Power Good		1		V
		Hysteresis		0.1		

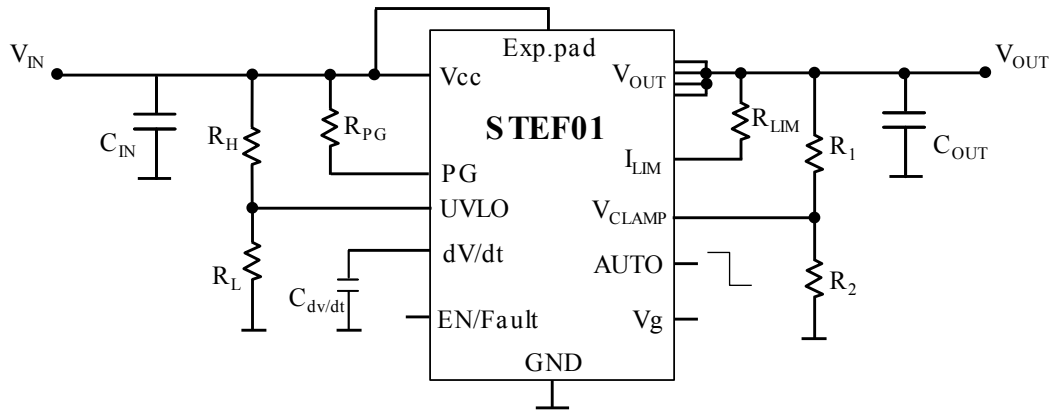
Symbol	Parameter	Test conditions	Min.	Typ.	Max.	Unit
$V_L$	Power Good output voltage low	$I_{\text{sink}} = 6 \text{ mA}$ open drain output			0.4	V
<b>External MOS gate driver</b>						
$I_g$	Sourcing current	Device on		30		$\mu\text{A}$
$R_p$	Strong pull down	$V_{\text{EN}} = 0 \text{ V}$		450		$\Omega$
$V_g$	Gate driver voltage	$V_g - V_{\text{OUT}}$	8.5	9.5	10.5	V
<b>Auto-retry function</b>						
$V_{\text{AR}}$	Autoretry logic level	Auto-retry activated			0.4	V
		Latched protection activated	1			
<b>Total device consumption</b>						
$I_{\text{Bias}}$	Bias current	Device operational		0.4		mA
		Thermal shutdown <sup>(2)</sup>		0.1		
		Off state ( $V_{\text{EN}} = \text{GND}$ )		0.1		
$V_{\text{min}}$	Minimum operating voltage				8	V
<b>Thermal shutdown</b>						
TSD	Shutdown temperature <sup>(2)</sup>			175		$^{\circ}\text{C}$
	Hysteresis	Only in auto-retry mode		25		

1. Pulsed test.

2. Guaranteed by design, but not tested in production.

## 5 Typical application

Figure 3. Application circuit



GIPD010220161218MT

### 5.1 Operating modes

#### 5.1.1 Turn-on and UVLO

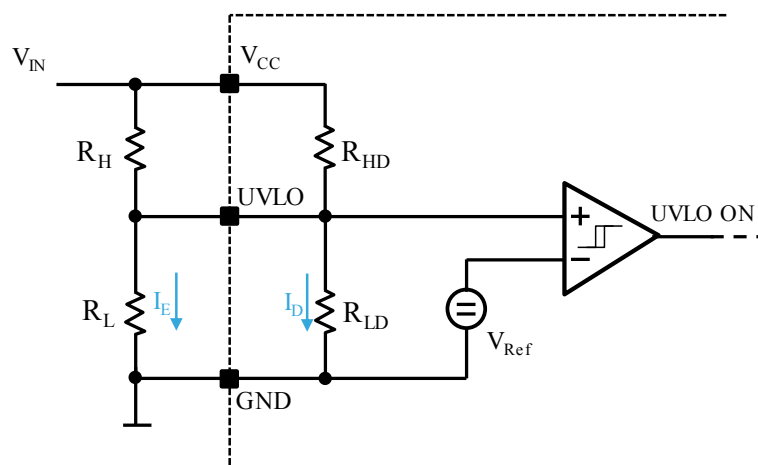
The device features a programmable UVLO block. If the input voltage exceeds the UVLO ON threshold ( $V_{ON}$ ), the power pass element is turned on and the Enable/Fault pin goes up to the high state.

Figure 4. UVLO block simplified diagram shows the simplified diagram of the UVLO circuit. The voltage at the UVLO pin is compared to an internal 1 V reference (0.9 V during turn OFF).

The default ON threshold is set by internal divider ( $R_{HD}$ ,  $R_{LD}$ ) to 14.5 V; the  $I_D$  current flowing through the internal divider is set to  $\sim 3 \mu\text{A}$ .

The UVLO threshold can be modified in accordance with power rail needs by adding the  $R_H$ - $R_L$  resistor divider, as shown in Figure 4. UVLO block simplified diagram. The external divider is in parallel with the internal default one, therefore the threshold can be changed within the 8 V to 45 V range.

Figure 4. UVLO block simplified diagram



GIPD010220161241MT

When the external divider is used, the ratio between external current  $I_E$  and the internal current  $I_D$  should be kept as high as possible, to guarantee maximum linearity of the circuit with respect to temperature and process variations.

Setting  $I_E/I_D > 10$  provides sufficient UVLO linearity, at the same time keeping overall current consumption at acceptable levels. Given the desired  $V_{ON}$  threshold, for a fixed value of the lower resistor  $R_L$ , **Equation 1** can be used to calculate the upper resistor  $R_H$ .

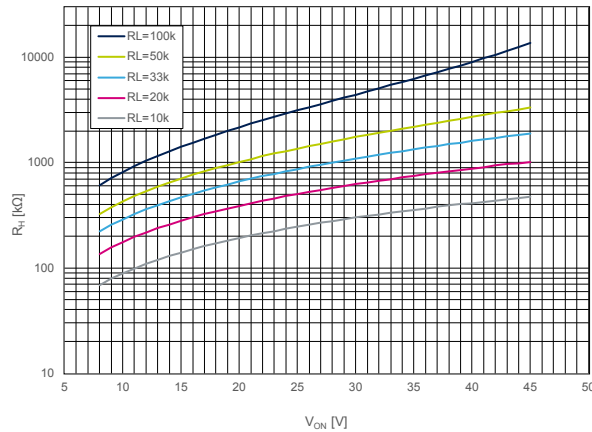
**Equation 1**

$$R_H = \frac{1}{\frac{(1/R_L + 1/333)}{(V_{ON} - 1)} - \frac{1}{4500}}$$

(resistor values are expressed in kΩ)

Figure 5. UVLO threshold ( $V_{ON}$ ) vs.  $R_H$ ,  $R_L$  shows the relationship between  $R_H$  and the UVLO turn ON threshold, for some fixed values of  $R_L$ .

**Figure 5. UVLO threshold ( $V_{ON}$ ) vs.  $R_H$ ,  $R_L$**



The resistor divider approach described above guarantees the best UVLO performance in terms of accuracy and temperature dependence.

In order to reduce the application B.O.M., the 1-resistor approach can be used also, at the expenses of overall UVLO circuit accuracy.

In this case, the  $R_H$  resistor can be omitted for  $V_{ON}$  thresholds higher than 14.5 V, or  $R_L$  for  $V_{ON}$  lower than 14.5 V.

In any case it is recommended to check that in all operating conditions, the UVLO threshold is never lower than 8 V, in order to guarantee correct operation.

After an initial delay time of typically 170 μs, the output voltage is supplied with a slope defined by the internal dv/dt circuitry. If no additional capacitor is connected to the dv/dt pin, the total time from the Enable signal going high and the output voltage reaching the nominal value is around 3 ms.

**5.1.2 Normal operating condition**

The STEF01 E-fuse provides the circuitry on its output with the same voltage shown at its input, with a small voltage fall due to the N-channel MOSFET RDS-on.

**5.1.3 Output voltage clamp**

If the input voltage exceeds the  $V_{clamp}$  value, the internal protection circuit clamps the output voltage to  $V_{clamp}$ . The overvoltage clamp threshold is preset to 28 V if the  $V_{clamp}$  pin is left floating, otherwise it can be externally adjusted in the range of 10 to 52 V by connecting a resistor divider ( $R_1, R_2$ ) of appropriate value between the  $V_{clamp}$  pin,  $V_{OUT}$  and GND.

The setting procedure is similar to that of UVLO, the internal divider current being fixed to 10 μA.



Given the desired  $V_{\text{clamp}}$  threshold, for a fixed value of the lower resistor  $R_2$ , **Equation 2** can be used to calculate the upper resistor  $R_1$

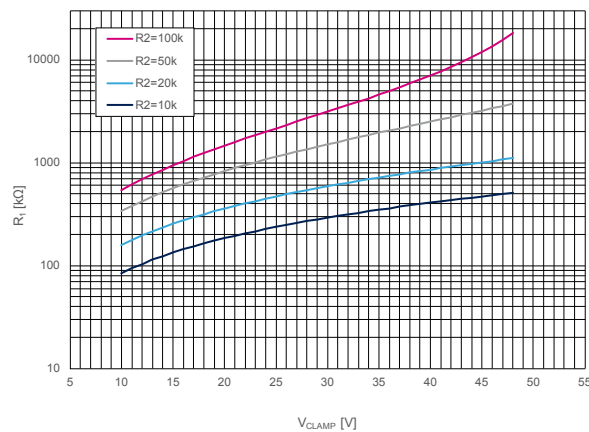
**Equation 2**

$$R_1 = \frac{1}{\frac{(1/R_2 + 10^{-2})}{(V_{\text{clamp}} - 1)} - \frac{1}{2700}}$$

(resistor values are expressed in kΩ)

Figure 6. Clamping voltage ( $V_{\text{clamp}}$ ) vs.  $R_1$ ,  $R_2$  shows the relation between  $R_1$  and the clamping voltage, for some fixed values of  $R_2$ .

**Figure 6. Clamping voltage ( $V_{\text{clamp}}$ ) vs.  $R_1$ ,  $R_2$**



**5.1.4 Current limit**

The STEF01 embeds an overcurrent sensing circuit, based on an internal N-channel Sense FET with a fixed ratio, used to monitor the output current (Figure 1. Block diagram).

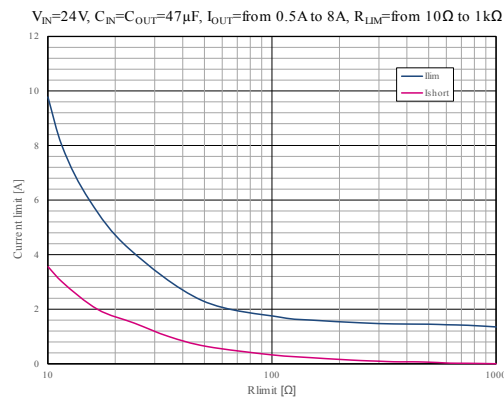
The current limiting circuit responds to overcurrent events by reducing the conductivity of the power MOSFET, in order to clamp the output current at a safe value.

The overcurrent protection trip-point can be selected externally by means of the limiting resistor  $R_{\text{Limit}}$ , according to the graphs in Section 5.1.4 Current limit and Figure 25. Current limit vs.  $R_{\text{limit}}$  (zoom).

The circuit features two levels of current limitation, each one valid for a certain range of output voltage ( $V_{\text{OUT}}$ ).

In case of overload, when the input current surpasses the programmed overload current limit ( $I_{\text{LIM}}$ ), but the output voltage is still higher than 5.5 V (typ.), the device clamps the current to the  $I_{\text{LIM}}$  value.

If case of strong overload or short circuit, when the output voltage decreases to less than 3.5 V, the device enters the foldback current limit, with the current limited to a lower value ( $I_{\text{SHORT}}$ ) that is typically 1.5 A when  $R_{\text{Limit}} = 22 \Omega$ .

**Figure 7. Current limit vs.  $R_{limit}$** 


AMG180720171100MT

During startup, the foldback current limit is disabled and the current is limited by the overcurrent protection at the  $I_{LIM}$  value. Please refer also to [Section 5.4 Maximum load at startup](#) for more details.

It is important to note that the  $R_{Limit}$  is mandatory for the current limiting circuit to function properly. It is recommended to use  $R_{Limit}$  value according to [Table 3. Recommended operating condition](#) and to the package power dissipation.

Important: very low values of  $R_{Limit}$  or failure to connect it may lead to malfunctioning of the current limiting circuit and to device damage.

## 5.2 Protection circuits

Since the power dissipation can reach remarkable levels during startup into heavy capacitive loads, large load transients and short-circuit during operation at high voltage, the STEF01 is protected by means of two circuits: the absolute thermal protection and the maximum power dissipation protection.

### 5.2.1 Thermal protection

The thermal protection is a standard thermal shutdown feature, which acts when the die temperature exceeds the absolute shutdown threshold, set typically to 175 °C.

The behavior of the STEF01 at thermal protection intervention can be changed by the user through the external Auto pin. This pin is internally pulled up.

When the Auto pin is left floating or connected to a voltage higher than 1 V, the thermal protection works as latched. If the device temperature exceeds the thermal shutdown threshold, the thermal shutdown circuitry turns the power MOSFET off, disconnecting the load. The EN/Fault pin of the device will be automatically set at an intermediate voltage, typically 1.4 V, in order to signal the overtemperature event.

The E-fuse can be reset either by cycling the supply voltage or by pulling down the EN pin below the  $V_{IL}$  threshold and then releasing it.

When the AUTO pin is connected to GND or to a voltage lower than 0.4 V, the thermal protection works as auto-retry. Once the thermal protection threshold is reached, the power is turned off and remains in an off state until the die temperature drops below the hysteresis value. Once this occurs, the internal auto-retry circuit initiates a new startup cycle, with controlled  $dv/dt$ . During the shutdown period, the EN/Fault pin of the device will be automatically set to 0 V.

### 5.2.2 Maximum dissipated power protection

Besides the standard thermal shutdown described in [Section 5.2.1 Thermal protection](#), which acts when the die temperature surpasses the absolute shutdown threshold, the STEF01 is equipped with advanced thermal protection, which limits the thermal power dissipated into the device. When the power dissipation is higher than the internal limit, the power transistor is turned off.

The power protection always acts in auto-retry mode, regardless of the Auto pin status. Its intervention is signaled on the EN/FAULT pin with a LOW logic state. If the fault persists, the die temperature may reach the thermal protection limit. If this happens, the device behavior is the one fixed by the user through the Auto pin signal.

The maximum dissipated power protection is able to protect the device from very fast overheating events, such as those caused by a short circuit on the output during operation.

### 5.3 Soft start function

The inrush current profile is controlled through a dedicated soft-start circuit. The startup time is set by default at 3 ms (typ.) and it can be prolonged by connecting a capacitor between the  $C_{dv/dt}$  pin and GND. [Figure 8. Startup time](#) illustrates the turn-on sequence.

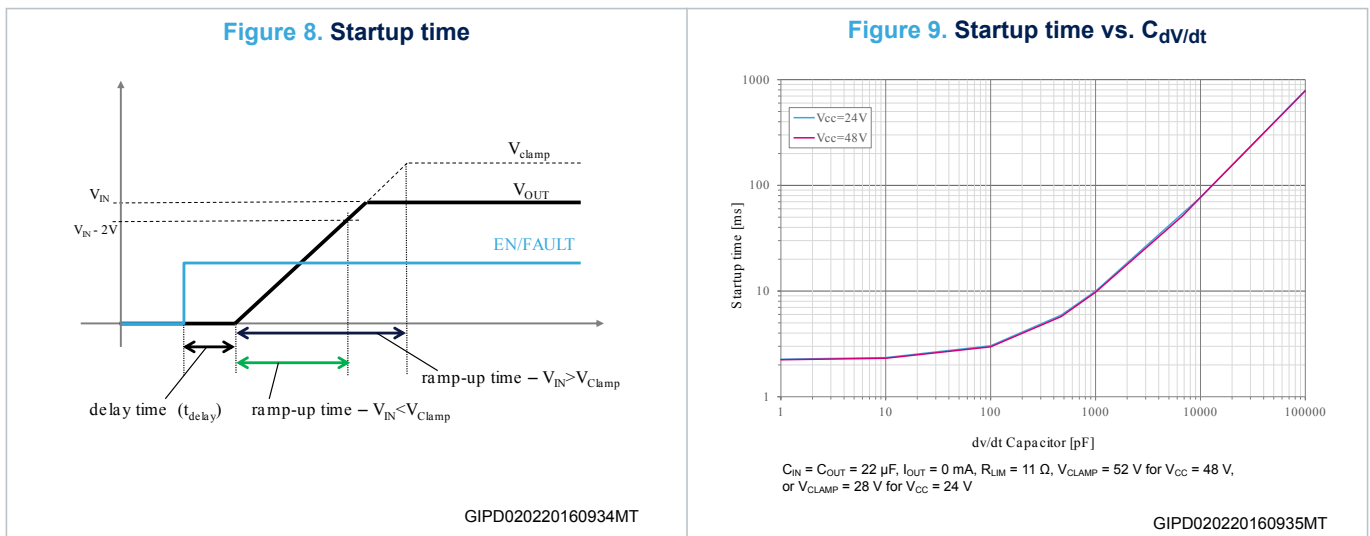
The turn-on time is defined as the time interval  $t_{ON}$  between assertion of the enable signal and the  $V_{OUT}$  reaching the  $(V_{OUT(NOM)} - 2V)$  voltage. The turn-on time is a function of the  $C_{dv/dt}$  capacitor, the input voltage  $V_{CC}$  and the clamping voltage  $V_{Clamp}$ .

Given the  $C_{dv/dt}$  external capacitor value, the turn-on time can be estimated using [Equation 3](#) and the graph in [Figure 9. Startup time vs.  \$C\_{dv/dt}\$](#) , valid for normal operating conditions ( $V_{CC} < V_{Clamp}$ ). In case the startup occurs with power supply voltage higher than the clamping voltage ( $V_{CC} > V_{Clamp}$ ), the total startup time will be longer. The equation is meant as a theoretical aid in choosing the  $C_{dv/dt}$  capacitor, and does not take into account the capacitor tolerance, temperature and process variations.

#### Equation 3

$$t_{ON} = 0.952 \cdot \frac{V_{CC}}{V_{Clamp}} \cdot \frac{(300 + C_{dv/dt})}{113000} + t_{delay}$$

where time is expressed in [s] and the capacitor in [pF];  $t_{delay} \sim 170 \mu s$ , is the initial delay time.



### 5.4 Maximum load at startup

The power limiting function described in [Section 5.2.2 Maximum dissipated power protection](#) is designed to provide fast and effective protection for the internal FET.

Depending on supply voltage and load, it is possible that during startup the power dissipation is such that the maximum power protection is triggered and the output is shut down before the startup is complete. The EN/Fault signal is set according to [Table 6. Enable/Fault pin behavior during thermal protection events](#).

In case of strong capacitive loads, the total startup time may be longer than the programmed startup time, since it is dependent also on the limitation current, the output load and the output capacitance value. In such a situation, the foldback current limit could activate, so that the startup is longer or eventually interrupted by the intervention of thermal protection.

To avoid this occurrence, a longer startup time should be set by the appropriate selection of the  $C_{dv/dt}$  capacitor.

## 5.5 Enable-fault pin

The Enable/Fault pin has the dual function of enabling/disabling the device and, at the same time, providing information about the device status to the application. The EN/Fault signal can be provided to a monitoring circuit to control the status of device.

It can be used as a standard Enable pin, (HI = enable, LO = disable) or connected to an external open-drain or open-collector device.

The EN/fault pin is internally pulled up to 5 V, therefore the device is enabled if the pin is left floating. In case of a thermal fault, the pin is pulled to an intermediate state, with a voltage of 1.4 V (typ.) (see [Section 5.1.1](#) ).

The EN/Fault signal can be directly connected to the Enable/Fault pins of other STEF01 devices on the same application in order to implement a simultaneous enable/disable feature.

When a thermal fault occurs, the latch version can be reset either by cycling the supply voltage or by pulling down the Enable pin below the  $V_{IL}$  threshold and then releasing it.

In the auto-retry operating mode, the power MOSFET remains in an off state until the die temperature drops below the hysteresis value. The EN/Fault pin is set to a low logic level and the auto-retry circuit attempts to restart the device with soft start.

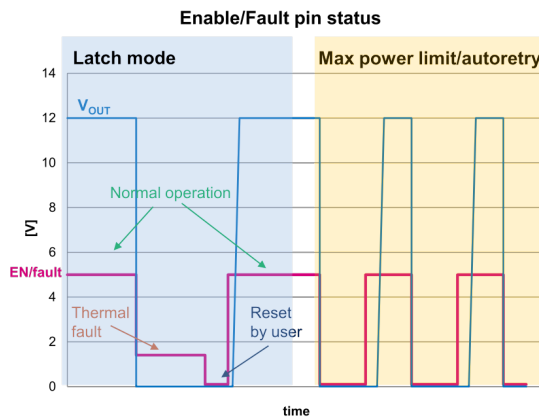
In case of power limit intervention, the EN/Fault pin is set to low logic level also. The following truth table and the graph in [Figure 10. Enable/Fault pin status](#) summarize the device behavior and the EN/Fault signal in all conditions.

**Table 6. Enable/Fault pin behavior during thermal protection events**

Auto pin logic level	Thermal protection status	Maximum power protection status	EN/Fault pin status	Output voltage
High	0	0	5 V	ON
High	1	X	1.4 V	OFF
High	0	1	0 V	OFF
Low	0	0	5 V	ON
Low	1	X	0 V	OFF
Low	0	1	0 V	OFF

*Note:* Maximum power protection always auto-retries (see [Section 5.2.2 Maximum dissipated power protection](#)).

**Figure 10. Enable/Fault pin status**



GIPD020220160952MT

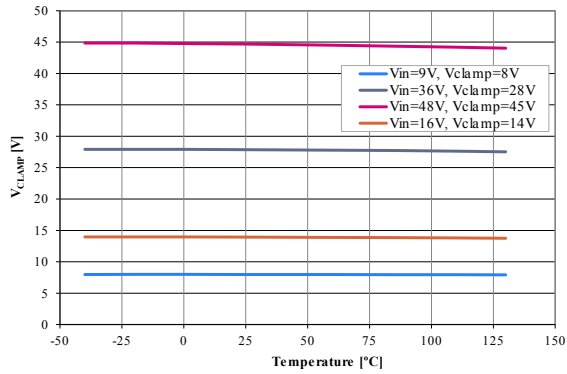


Additional protections and methods for addressing these transients are:

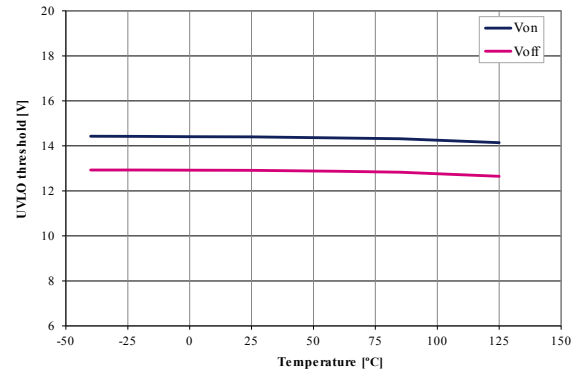
- Minimizing inductance of the input and output tracks
- TVS diodes on the input to absorb inductive spikes
- Schottky diode on the output to absorb negative spikes
- Combination of ceramic and electrolytic capacitors on the input and output

## 6 Typical performance characteristics

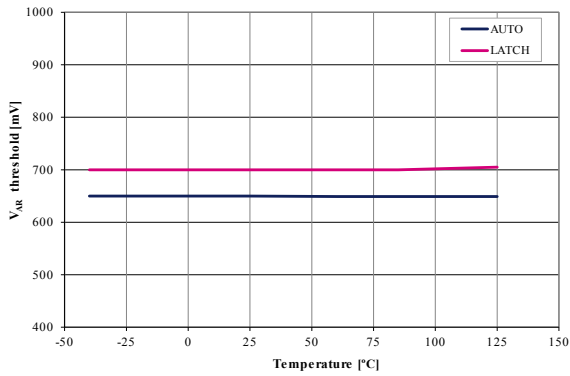
(The following plots are referred to the typical application circuit and, unless otherwise noted, at  $T_A = 25^\circ\text{C}$ )

**Figure 12. Clamping voltage vs. temperature**


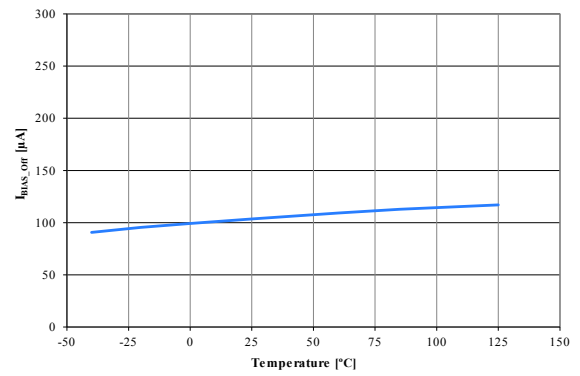
AMG180720171130MT

**Figure 13. UVLO voltage vs. temperature**

 $I_{OUT} = 10\text{ mA}, V_{IN} = \text{from } 10\text{ V to } 16\text{ V}, V_{CLAMP} \text{ set to } 14\text{ V}$ 

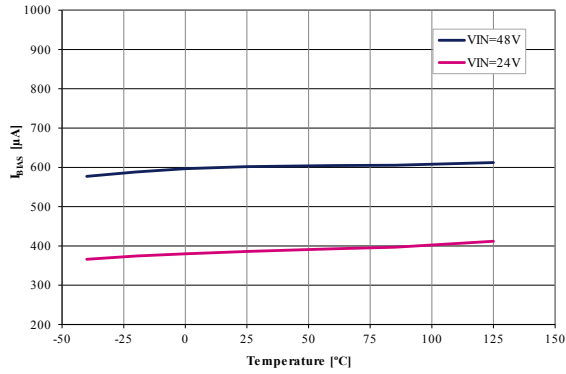
AMG180720171131MT

**Figure 14. Auto pin thresholds vs. temperature**


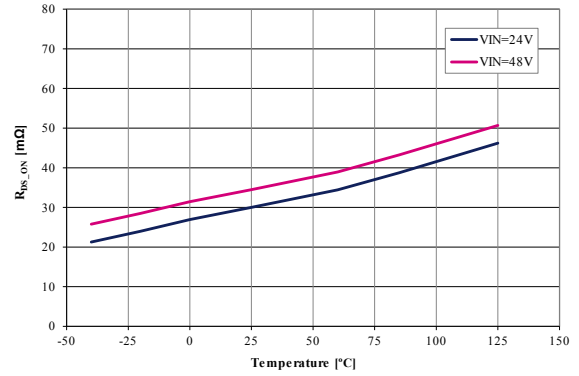
AMG180720171132MT

**Figure 15. Off-state current vs. temperature**

 $V_{IN} = 48\text{ V}, V_{EN} = \text{GND}$ 

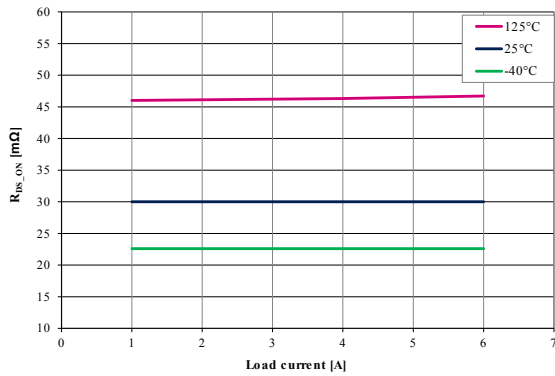
AMG180720171133MT

**Figure 16. Bias current (device operational)**


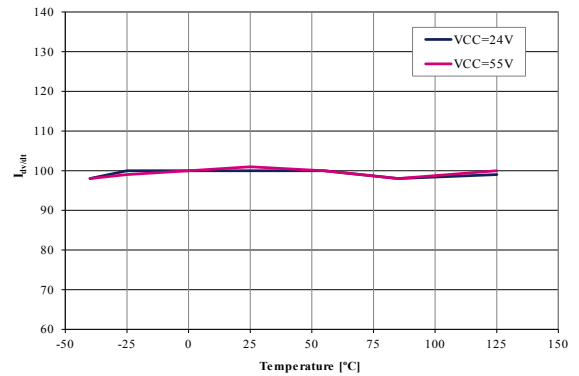
AMG180720171134MT

**Figure 17. ON resistance vs. temperature**

 I<sub>out</sub> = 1 A

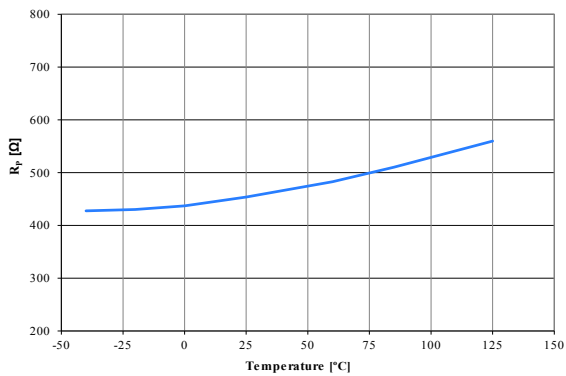
AMG180720171135MT

**Figure 18. ON resistance vs. load current**


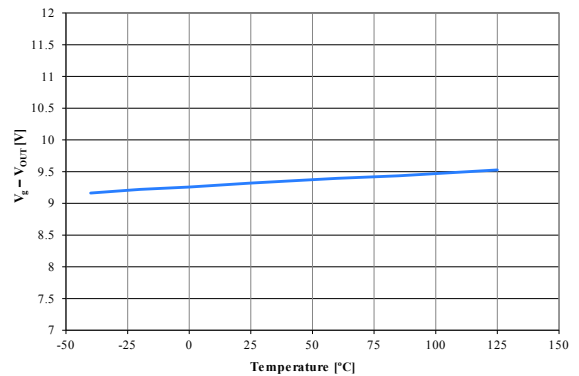
AMG180720171136MT

**Figure 19. dv/dt pin current vs. temperature**


AMG180720171137MT

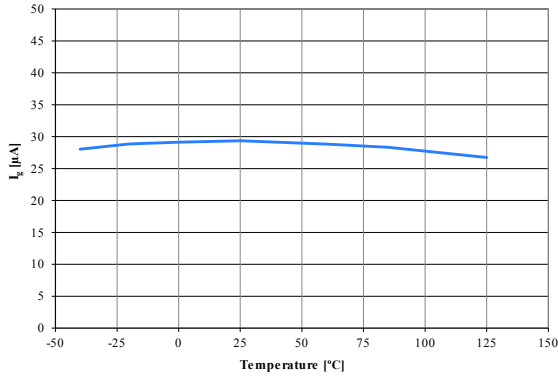
**Figure 20. External gate driver pull-down resistance**


AMG180720171138MT

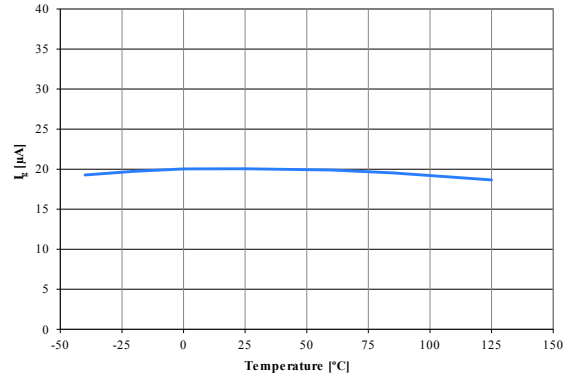
**Figure 21. External gate driver voltage**


AMG180720171139MT

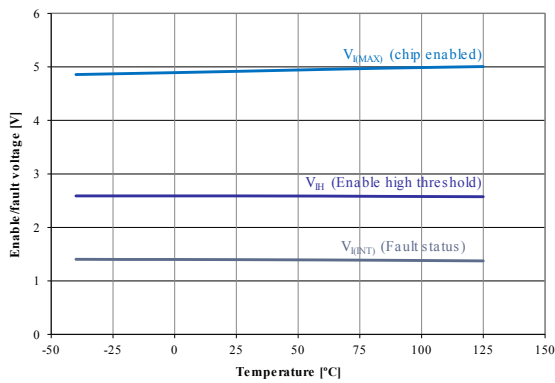


**Figure 22. External gate driver current (source) vs. temperature**


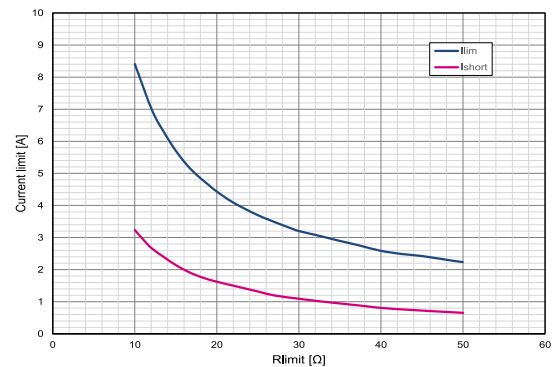
AMG180720171140MT

**Figure 23. Low level En/Fault pin current (sink) vs. temperature**


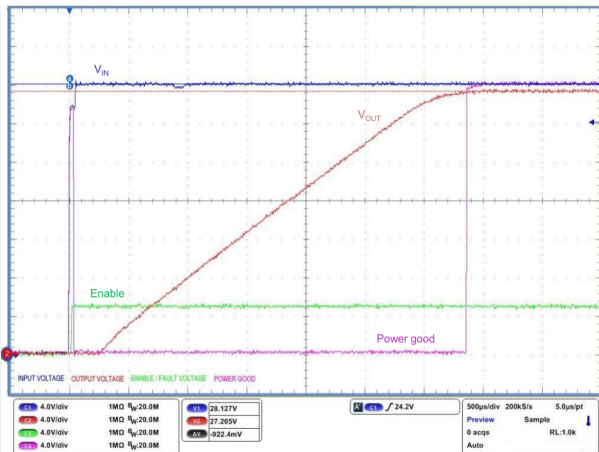
AMG180720171141MT

**Figure 24. En/Fault pin voltage vs. temperature**


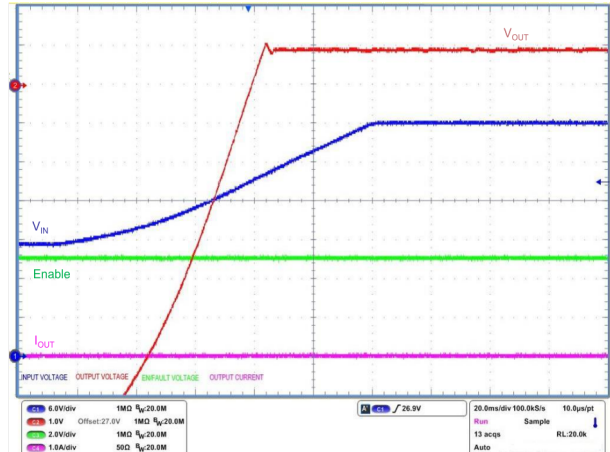
AMG180720171142MT

**Figure 25. Current limit vs.  $R_{limit}$  (zoom)**

 $V_{IN} = 24\text{ V}$ ,  $C_{IN} = C_{OUT} = 47\text{ }\mu\text{F}$ ,  $I_{OUT} = \text{from } 0.5\text{ A to } 8\text{ A}$ ,  
 $R_{LIM} = \text{from } 10\text{ }\Omega\text{ to } 50\text{ }\Omega$ 

AMG180720171143MT

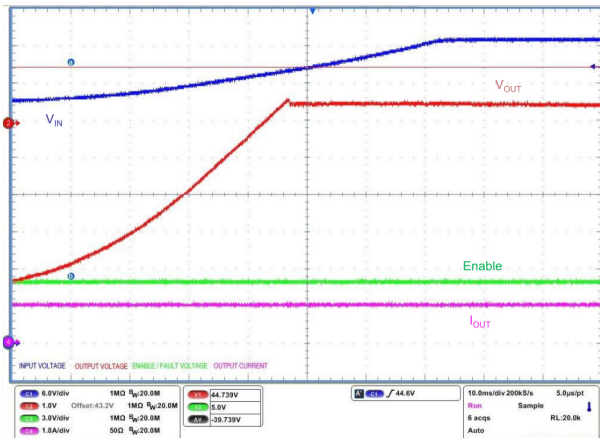
**Figure 26.  $V_{OUT}$  ramp-up vs. Enable**

 $V_{IN} = 28\text{ V}$ ,  $C_{IN} = 22\text{ }\mu\text{F}$ ,  $C_{OUT} = 22\text{ }\mu\text{F}$ ,  $R_{LIM} = 11\text{ }\Omega$ ,  
 $V_{CLAMP} = 26\text{ V}$ ,  $AUTO = GND$ 

AMG180720171144MT

**Figure 27.  $V_{OUT}$  clamping (28 V)**

 $V_{IN} = \text{from } 20\text{ V to } 36\text{ V}$ ,  $V_{clampset} \text{ to } 28\text{ V}$ ,  $C_{IN} = 47\text{ }\mu\text{F}$ ,  $C_{OUT} = 47\text{ }\mu\text{F}$ 

AMG180720171145MT

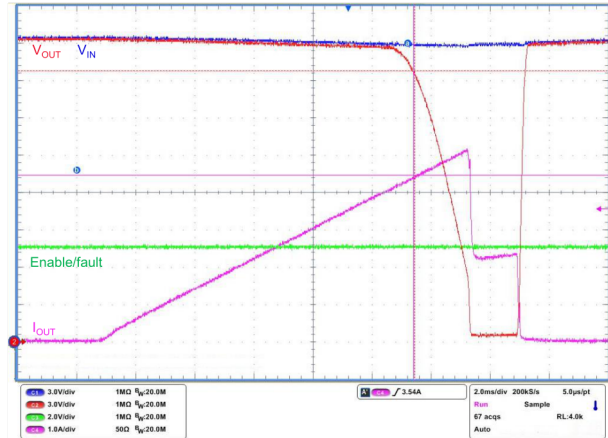
Figure 28.  $V_{OUT}$  clamping (44 V)



$V_{IN}$  = from 36 V to 50 V,  $V_{clampset}$  to 44 V,  
 $C_{IN}$  = 10  $\mu$ F,  $C_{OUT}$  = 10  $\mu$ F

AMG180720171146MT

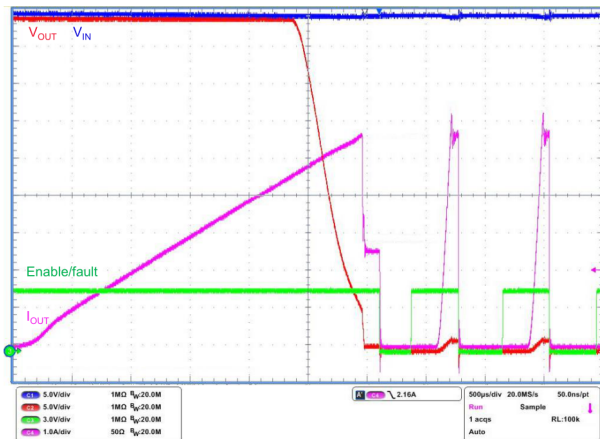
Figure 29. Response to overload (latch)



$V_{IN}$  = 24 V,  $C_{IN}$  =  $C_{OUT}$  = 47  $\mu$ F,  $I_{OUT}$  from 0 A to overload,  
 $R_{LIMIT}$  = 22  $\Omega$ , AUTO = GND

AMG180720171147MT

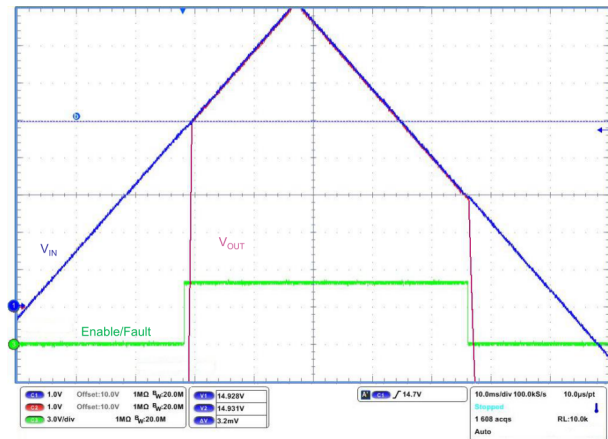
Figure 30. Response to overload (autoretry)



$V_{IN}$  = 45 V  $C_{IN}$  = 47  $\mu$ F,  $C_{OUT}$  = 1  $\mu$ F,  $I_{OUT}$  from 0 mA to overload,  
AUTO = FLOATING

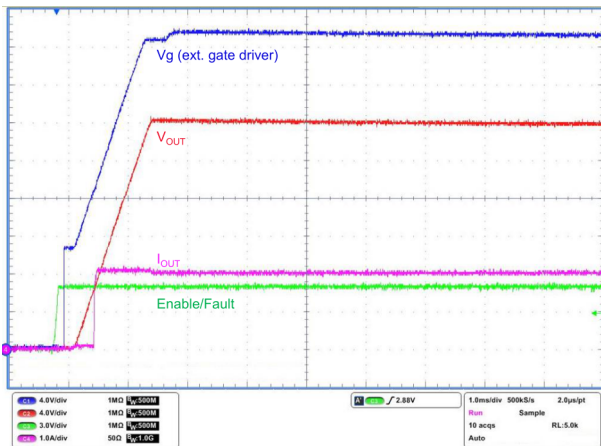
AMG180720171148MT

Figure 31. UVLO



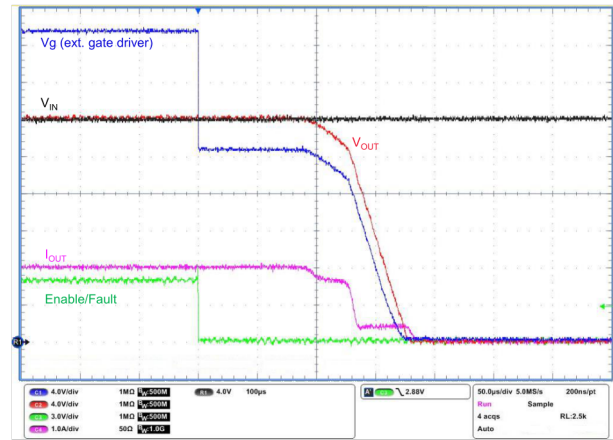
$V_{IN}$  = from 0 V to 20 V,  $C_{IN}$  = 22  $\mu$ F,  $C_{OUT}$  = 22  $\mu$ F,  $I_{OUT}$  = 10 mA,  $R_{TH}$ ,  
 $R_L$  not connected

AMG180720171149MT

**Figure 32. Enable turn-on with external FET**


$V_{IN} = 24\text{ V}$ ,  $C_{IN} = 1\ \mu\text{F}$ ,  $C_{OUT} = 1\ \mu\text{F}$ ,  $R_{LIM} = 11\ \Omega$ ,  $V_{CLAMP} = 50\text{ V}$ ,  
 $I_{OUT} = 2\text{ A}$ ,  $V_{OUT}$  measured after external FET

AMG180720171150MT

**Figure 33. Enable turn-off with external FET**


$V_{IN} = 24\text{ V}$ ,  $C_{IN} = 1\ \mu\text{F}$ ,  $C_{OUT} = 1\ \mu\text{F}$ ,  $R_{LIM} = 11\ \Omega$ ,  $V_{CLAMP} = 50\text{ V}$ ,  $I_{OUT} = 2\text{ A}$ ,  
 $V_{OUT}$  measured after external FET

AMG180720171151MT

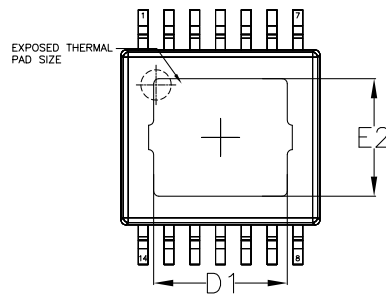
## 7 Package information

In order to meet environmental requirements, ST offers these devices in different grades of **ECOPACK** packages, depending on their level of environmental compliance. ECOPACK specifications, grade definitions and product status are available at: [www.st.com](http://www.st.com). ECOPACK is an ST trademark.

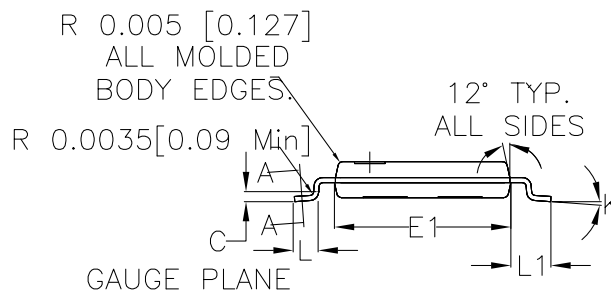
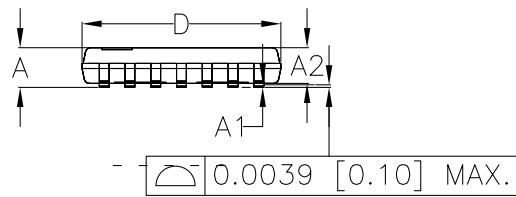
### 7.1 HTSSOP14 package information

Figure 34. HTSSOP14 package outline

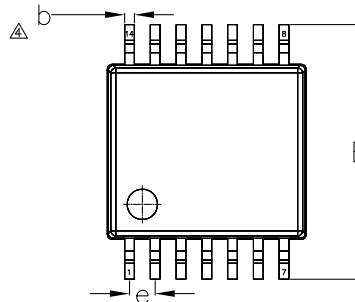
#### BOTTOM VIEW



#### SIDE VIEW



#### TOP VIEW

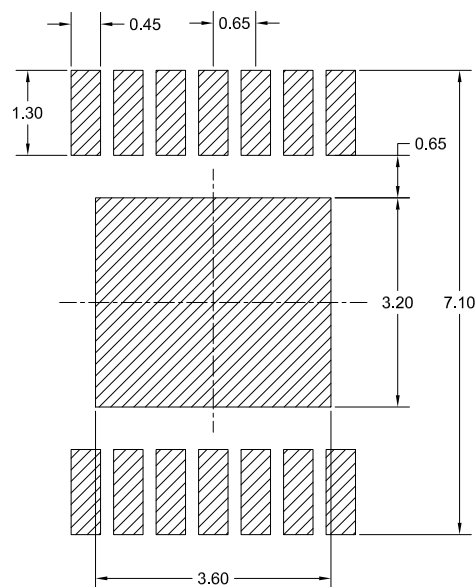


7256412

Table 7. HTSSOP14 mechanical data

Dim.	mm		
	Min.	Typ.	Max.
A	1.00	1.10	1.20
A1	0.05	0.10	0.15
A2	0.80	1.00	1.05
b	0.19	0.25	0.30
c	0.09		0.25
D	4.90	5.00	5.10
D1	3.00		3.20
E	6.20	6.40	6.60
E1	4.30	4.40	4.50
E2	3.00		3.20
e	0.65 BSC		
L	0.45	0.60	0.75
L1	0.95	1.00	1.05
k	0		8
aaa			0.10

Figure 35. HTSSOP14 recommended footprint



## 7.2 HTSSOP14 packing information

Figure 36. HTSSOP14 carrier tape outline

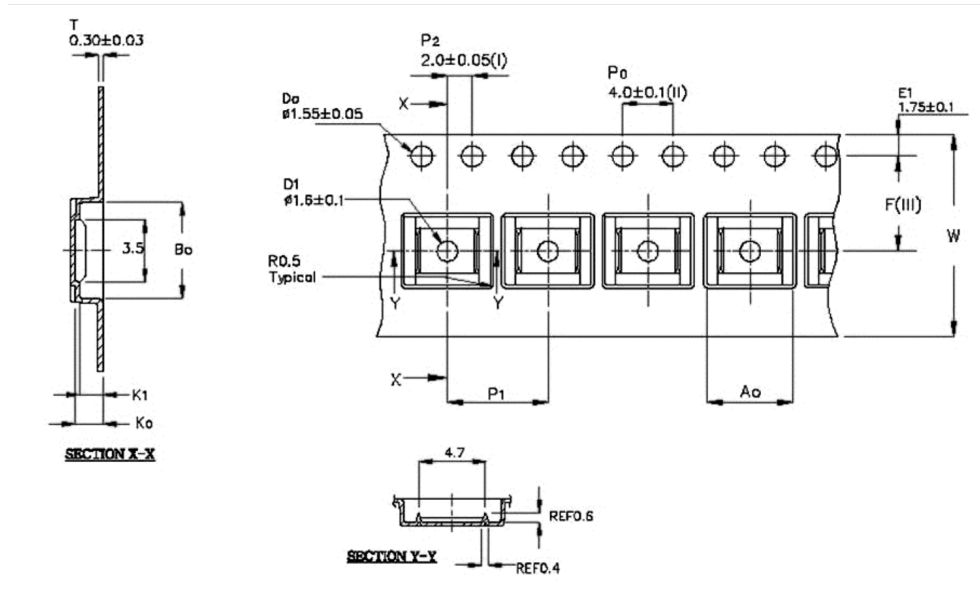
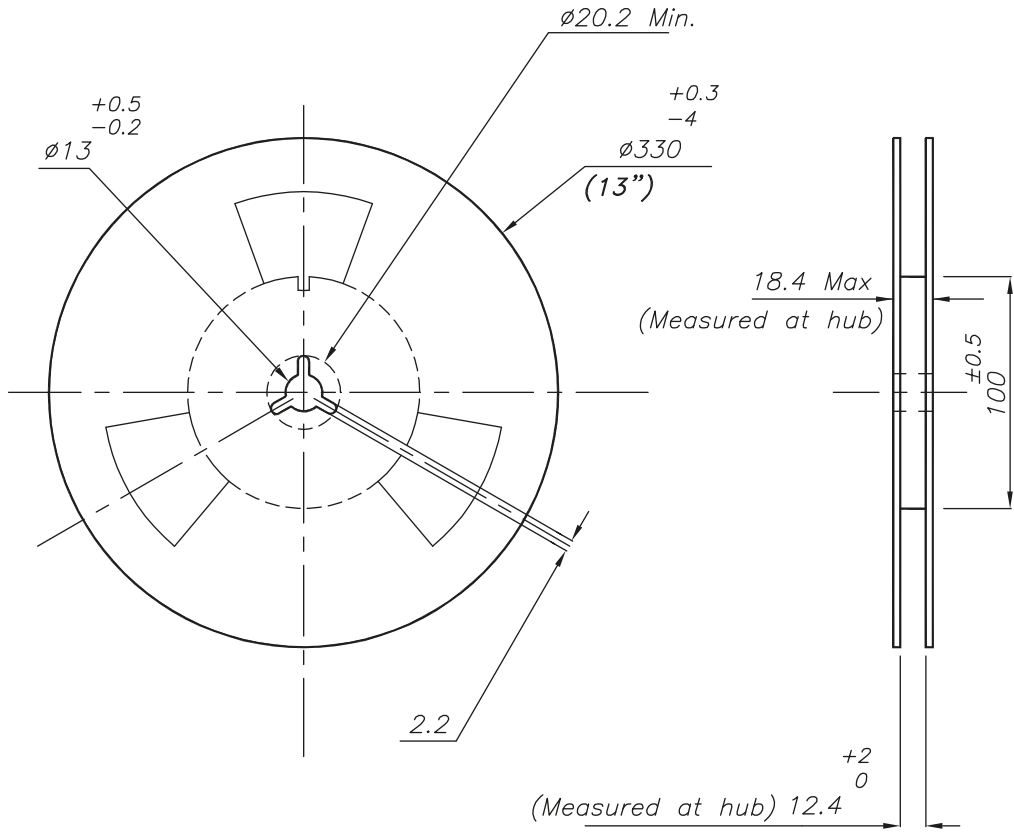


Table 8. HTSSOP14 carrier tape mechanical data

Dim.	Value (mm)
Ao	$6.8 \pm 0.1$
Bo	$5.4 \pm 0.1$
Ko	$1.6 \pm 0.1$
Ki	$1.3 \pm 0.1$
F	$5.5 \pm 0.05$
P1	$8.0 \pm 0.1$
W	$12.0 \pm 0.3$

Figure 37. HTSSOP14 reel outline (dimensions are in mm)



## Revision history

**Table 9. Document revision history**

Date	Revision	Changes
04-Aug-2017	1	Initial release.
15-Feb-2018	2	Update: $I_D$ value Table 2. Absolute maximum ratings.
24-May-2018	3	Updated maturity status link on the cover page.
13-Jul-2018	4	Updated pin 11 note Table 1. Pin description.
01-Oct-2018	5	Updated $V_{IL}$ , $V_{IH}$ and $V_{I(MAX)}$ values in Table 5. Electrical characteristics for STEF01.
19-May-2020	6	Added new <a href="#">Figure 37</a> . HTSSOP14 reel outline (dimensions are in mm). Updated <a href="#">Figure 5</a> and <a href="#">Figure 6</a> .



## Contents

<b>1</b>	<b>Device block diagram</b> .....	<b>2</b>
<b>2</b>	<b>Pin configuration</b> .....	<b>3</b>
<b>3</b>	<b>Maximum ratings</b> .....	<b>4</b>
<b>4</b>	<b>Electrical characteristics</b> .....	<b>5</b>
<b>5</b>	<b>Typical application</b> .....	<b>7</b>
<b>5.1</b>	<b>Operating modes</b> .....	<b>7</b>
<b>5.1.1</b>	<b>Turn-on and UVLO</b> .....	<b>7</b>
<b>5.1.2</b>	<b>Normal operating condition</b> .....	<b>8</b>
<b>5.1.3</b>	<b>Output voltage clamp</b> .....	<b>8</b>
<b>5.1.4</b>	<b>Current Limit</b> .....	<b>9</b>
<b>5.2</b>	<b>Protection circuits</b> .....	<b>10</b>
<b>5.2.1</b>	<b>Thermal protection</b> .....	<b>10</b>
<b>5.2.2</b>	<b>Maximum dissipated power protection</b> .....	<b>10</b>
<b>5.3</b>	<b>Soft start function</b> .....	<b>11</b>
<b>5.4</b>	<b>Maximum load at startup</b> .....	<b>11</b>
<b>5.5</b>	<b>Enable-fault pin</b> .....	<b>12</b>
<b>5.6</b>	<b>Power good function</b> .....	<b>13</b>
<b>5.7</b>	<b>Gate driver for reverse current blocking FET</b> .....	<b>13</b>
<b>5.8</b>	<b>External capacitors and application suggestions</b> .....	<b>13</b>
<b>6</b>	<b>Typical performance characteristics</b> .....	<b>15</b>
<b>7</b>	<b>Package information</b> .....	<b>20</b>
<b>7.1</b>	<b>HTSSOP14 package information</b> .....	<b>20</b>
<b>7.2</b>	<b>HTSSOP14 packing information</b> .....	<b>22</b>
	<b>Revision history</b> .....	<b>24</b>
	<b>Contents</b> .....	<b>25</b>
	<b>List of tables</b> .....	<b>26</b>
	<b>List of figures</b> .....	<b>27</b>

## List of tables

<b>Table 1.</b>	Pin description . . . . .	3
<b>Table 2.</b>	Absolute maximum ratings . . . . .	4
<b>Table 3.</b>	Recommended operating condition . . . . .	4
<b>Table 4.</b>	Thermal data . . . . .	4
<b>Table 5.</b>	Electrical characteristics for STEF01 . . . . .	5
<b>Table 6.</b>	Enable/Fault pin behavior during thermal protection events . . . . .	12
<b>Table 7.</b>	HTSSOP14 mechanical data . . . . .	21
<b>Table 8.</b>	HTSSOP14 carrier tape mechanical data . . . . .	22
<b>Table 9.</b>	Document revision history . . . . .	24

## List of figures

<b>Figure 1.</b>	Block diagram . . . . .	2
<b>Figure 2.</b>	Pin configuration (top view) . . . . .	3
<b>Figure 3.</b>	Application circuit . . . . .	7
<b>Figure 4.</b>	UVLO block simplified diagram . . . . .	7
<b>Figure 5.</b>	UVLO threshold ( $V_{ON}$ ) vs. $R_H$ , $R_L$ . . . . .	8
<b>Figure 6.</b>	Clamping voltage ( $V_{clamp}$ ) vs. $R_1$ , $R_2$ . . . . .	9
<b>Figure 7.</b>	Current limit vs. $R_{limit}$ . . . . .	10
<b>Figure 8.</b>	Startup time . . . . .	11
<b>Figure 9.</b>	Startup time vs. $C_{dV/dt}$ . . . . .	11
<b>Figure 10.</b>	Enable/Fault pin status . . . . .	12
<b>Figure 11.</b>	STEF01 with external reverse blocking FET . . . . .	13
<b>Figure 12.</b>	Clamping voltage vs. temperature . . . . .	15
<b>Figure 13.</b>	UVLO voltage vs. temperature . . . . .	15
<b>Figure 14.</b>	Auto pin thresholds vs. temperature . . . . .	15
<b>Figure 15.</b>	Off-state current vs. temperature . . . . .	15
<b>Figure 16.</b>	Bias current (device operational) . . . . .	16
<b>Figure 17.</b>	ON resistance vs. temperature . . . . .	16
<b>Figure 18.</b>	ON resistance vs. load current . . . . .	16
<b>Figure 19.</b>	$dv/dt$ pin current vs. temperature . . . . .	16
<b>Figure 20.</b>	External gate driver pull-down resistance . . . . .	16
<b>Figure 21.</b>	External gate driver voltage . . . . .	16
<b>Figure 22.</b>	External gate driver current (source) vs. temperature . . . . .	17
<b>Figure 23.</b>	Low level En/Fault pin current (sink) vs. temperature . . . . .	17
<b>Figure 24.</b>	En/Fault pin voltage vs. temperature . . . . .	17
<b>Figure 25.</b>	Current limit vs. $R_{limit}$ (zoom) . . . . .	17
<b>Figure 26.</b>	$V_{OUT}$ ramp-up vs. Enable . . . . .	17
<b>Figure 27.</b>	$V_{OUT}$ clamping (28 V) . . . . .	17
<b>Figure 28.</b>	$V_{OUT}$ clamping (44 V) . . . . .	18
<b>Figure 29.</b>	Response to overload (latch) . . . . .	18
<b>Figure 30.</b>	Response to overload (autoretry) . . . . .	18
<b>Figure 31.</b>	UVLO . . . . .	18
<b>Figure 32.</b>	Enable turn-on with external FET . . . . .	19
<b>Figure 33.</b>	Enable turn-off with external FET . . . . .	19
<b>Figure 34.</b>	HTSSOP14 package outline . . . . .	20
<b>Figure 35.</b>	HTSSOP14 recommended footprint . . . . .	21
<b>Figure 36.</b>	HTSSOP14 carrier tape outline . . . . .	22
<b>Figure 37.</b>	HTSSOP14 reel outline (dimensions are in mm) . . . . .	23

**IMPORTANT NOTICE – PLEASE READ CAREFULLY**

STMicroelectronics NV and its subsidiaries (“ST”) reserve the right to make changes, corrections, enhancements, modifications, and improvements to ST products and/or to this document at any time without notice. Purchasers should obtain the latest relevant information on ST products before placing orders. ST products are sold pursuant to ST’s terms and conditions of sale in place at the time of order acknowledgement.

Purchasers are solely responsible for the choice, selection, and use of ST products and ST assumes no liability for application assistance or the design of Purchasers’ products.

No license, express or implied, to any intellectual property right is granted by ST herein.

Resale of ST products with provisions different from the information set forth herein shall void any warranty granted by ST for such product.

ST and the ST logo are trademarks of ST. For additional information about ST trademarks, please refer to [www.st.com/trademarks](http://www.st.com/trademarks). All other product or service names are the property of their respective owners.

Information in this document supersedes and replaces information previously supplied in any prior versions of this document.

© 2020 STMicroelectronics – All rights reserved

## X-ON Electronics

Largest Supplier of Electrical and Electronic Components

*Click to view similar products for* [Current & Power Monitors & Regulators](#) *category:*

*Click to view products by* [STMicroelectronics](#) *manufacturer:*

Other Similar products are found below :

[NCP347MTAHTBG](#) [NCS37000MNG](#) [NCP4353BSNT1G](#) [MAX4845DEYT+T](#) [ZXCT1080QE5TA](#) [NCP4353ASNT1G](#) [ZXCT1008QFTA](#)  
[UC3838ADW](#) [NCP361SNT1G](#) [ZXCT1023DFGTA](#) [ADM1294-1AARUZ-RL7](#) [LT3092ETS8#TRPBF](#) [LTC4151IMS-1#PBF](#) [LM334S8#PBF](#)  
[INA203AIDR](#) [ADM1294-1AACPZ](#) [ADM1294-1BACPZ](#) [ADL5317ACPZ-REEL7](#) [ADM1041ARQZ](#) [ADM1192-1ARMZ-R7](#) [ADM1293-](#)  
[1BARUZ](#) [ADM1294-1AARUZ](#) [LTC1921CMS8#PBF](#) [LTC1921IS8#PBF](#) [LTC1392CS8#PBF](#) [LTC1921CS8#PBF](#) [LTC2921CGN#PBF](#)  
[LTC2947IUHF-65#PBF](#) [ZXCT1009FTA](#) [DM7332G-00364-B1](#) [CS5460A-BSZ](#) [CS5463-ISZR](#) [ZXCT1107QSA-7](#) [AP4341SNTR-G1](#)  
[LT2940IDD#PBF](#) [ZXCT1110W5-7](#) [ZXCT1083E5TA](#) [ZXCT1021E5TA](#) [ZXCT1022E5TA](#) [ZXCT1041E5TA](#) [ZXCT1051E5TA](#)  
[ZXCT1080E5TA](#) [ZXCT1107SA-7](#) [INA285AQDGKRQ1](#) [INA286AQDGKRQ1](#) [IR3725MTRPBF](#) [ISL28023FR12Z-T7A](#) [ISL28025FI12Z-](#)  
[T7A](#) [IXCY10M45S](#) [IXCY10M90S](#)