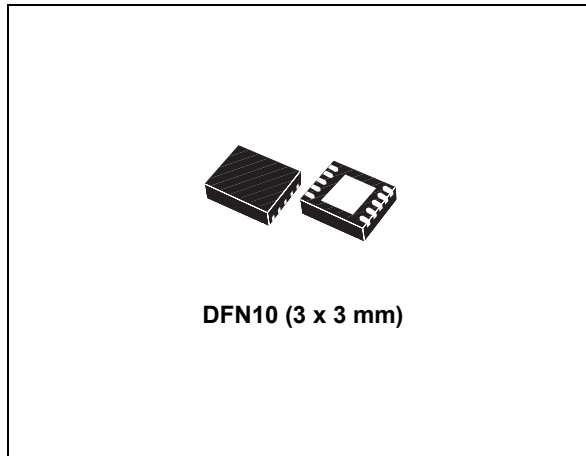


Electronic fuse for 5 V line

Datasheet - production data



- Hard disk and SSD arrays
- Set-top boxes
- DVD and Blu-ray disc drivers

Description

The STEF05D is an integrated electronic fuse optimized for monitoring output current and input voltage. Connected in series to a 5 V rail, it is capable of protecting the electronic circuitry on its output from overcurrent and overvoltage. The device has a controlled delay and turn-on time. When an overload condition occurs, the STEF05D limits the output current to a predefined safe value. If the anomalous overload condition persists, it goes into an open state, disconnecting the load from the power supply. If a continuous short-circuit is present on the board, when power is re-applied the E-fuse initially limits the output current to a safe value, and then again goes into an open state.

The device is equipped with a thermal protection circuit. The intervention of the thermal protection is signal led to the board monitoring circuits through a signal on the Fault pin.

Unlike mechanical fuses, which must be physically replaced after a single event, the E-fuse does not degrade in its performance after short-circuit/thermal protection interventions and it is reset either by recycling the supply voltage or using the Enable pin.

The companion chip for 12 V power rails is also available with part number STEF12.

Features

- Continuous current typ: 3.6 A
- N-channel on-resistance typ: 40 mΩ
- Enable/fault functions
- Output clamp voltage typ: 6.65 V
- Undervoltage lockout
- Short-circuit limit
- Overload current limit
- Controlled output voltage ramp
- Thermal latch typ: 165 °C
- Uses tiny capacitors
- Operating junction temp. - 40 °C to 125 °C
- Available in DFN10 (3 x 3 mm).

Applications

- Hard disk drives
- Solid state drives (SSD)

Table 1. Device summary

Order code	Package	Packaging
STEF05DPUR	DFN10 (3 x 3 mm)	Tape and reel

Contents

1	Block diagram	3
2	Pin configuration	4
3	Maximum ratings	5
4	Electrical characteristics	6
5	Typical application	8
5.1	Operating modes	8
5.1.1	Turn-on	8
5.1.2	Normal operating condition	9
5.1.3	Output voltage clamp	9
5.1.4	Current limiting	9
5.1.5	Thermal shutdown	9
5.2	R_{Limit} calculation	9
5.3	$C_{dv/dt}$ calculation	9
5.4	Enable/fault pin	10
6	Typical performance characteristics	12
7	Package mechanical data	14
8	Revision history	18

2 Pin configuration

Figure 2. Pin configuration (top view)

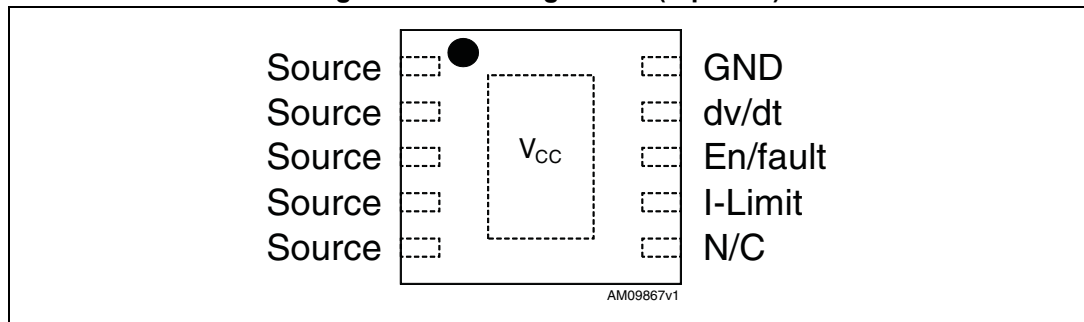


Table 2. Pin description

Pin N°	Symbol	Note
1 to 5	$V_{OUT}/Source$	Connected to the Source of the internal power MOSFET and to the output terminal of the fuse
6	NC	Not connected
7	I-Limit	A resistor between this pin and the Source pin sets the overload and short-circuit current limit levels.
8	En/Fault	The enable/fault pin is a tri-state, bi-directional interface. During normal operation the pin must be left floating, or it can be used to disable the output of the device by pulling it to Ground using an open drain or open collector device. If a thermal fault occurs, the voltage on this pin will go to an intermediate state to signal a monitor circuit that the device is in thermal shutdown. It can be connected to another device of this family to cause a simultaneous shutdown during thermal events.
9	dv/dt	The internal dv/dt circuit controls the slew rate of the output voltage at turn-on. The internal capacitor allows a ramp-up time of around 1ms. An external capacitor can be added to this pin to increase the ramp time. If an additional capacitor is not required, this pin should be left open.
10	GND	Ground Pin
11	V_{CC}	Exposed pad. Positive input voltage must be connected to V_{CC} .

3 Maximum ratings

Table 3. Absolute maximum ratings

Symbol	Parameter	Value	Unit
V _{CC}	Positive power supply voltage (steady state)	-0.3 to 10	V
	Positive power supply voltage (max 100 ms)	-0.3 to 15	
V _{OUT/source}	(max 100 ms)	-0.3 to V _{CC} +0.3	V
I-Limit	(max 100 ms)	-0.3 to 15	V
En/Fault		-0.3 to 7	V
dv/dt		-0.3 to 7	V
T _{OP}	Operating junction temperature range ⁽¹⁾	-40 to 125	°C
T _{STG}	Storage temperature range	-65 to 150	°C
T _{LEAD}	Lead temperature (Soldering) 10 sec	260	°C

1. The thermal limit is set above the maximum thermal rating. It is not recommended to operate the device at temperatures greater than the maximum ratings for extended periods of time.

Note: Absolute maximum ratings are those values beyond which damage to the device may occur. Functional operation under these conditions is not implied.

Table 4. Thermal data

Symbol	Parameter	Value	Unit
R _{thJA}	Thermal resistance junction-ambient	52.7	°C/W
R _{thJC}	Thermal resistance junction-case	17.4	°C/W

Table 5. ESD performances

Symbol	Parameter	Test conditions	Value	Unit
ESD	ESD Protection	HBM	2	KV
		MM	150	V
		CDM	500	V

4 Electrical characteristics

$V_{CC} = 5\text{ V}$, $V_{EN} = 3.3\text{ V}$, $C_I = 10\text{ }\mu\text{F}$, $C_O = 47\text{ }\mu\text{F}$, $T_J = 25\text{ }^\circ\text{C}$, unless otherwise specified

Table 6. Electrical characteristics for STEF05D

Symbol	Parameter	Test conditions	Min.	Typ.	Max.	Unit
Under/Overvoltage Protection						
V_{Clamp}	Output clamping voltage	$V_{CC} = 10\text{ V}$	5.95	6.65	7.7	V
V_{UVLO}	Undervoltage lockout	Turn-on, voltage going up	3.2	3.6	4.3	V
V_{Hyst}	UVLO Hysteresis			0.40		V
Power MOSFET						
t_{dly}	Delay time	Enabling of chip to $I_D = 100\text{ mA}$ with a 1 A resistive load		200		μs
R_{DSon}	ON resistance ⁽¹⁾	$T_J = 25\text{ }^\circ\text{C}$		40	60	$\text{m}\Omega$
		$T_J = 125\text{ }^\circ\text{C}$ ⁽²⁾			70	
V_{OFF}	Off state output voltage	$V_{CC} = 10\text{ V}$, $V_{GS} = 0$, $R_{Limit} = \text{infinite}$		50	200	mV
I_D	Continuous current	0.5 inch ² pad ⁽²⁾ , $T_A = 25\text{ }^\circ\text{C}$		3.6		A
		Minimum copper, $T_A = 80\text{ }^\circ\text{C}$		1.7		
Current Limit						
I_{Short}	Short-circuit current limit	$R_{Limit} = 11\text{ }\Omega$	3.1	4.1	5.1	A
I_{Lim}	Overload current limit	$R_{Limit} = 11\text{ }\Omega$		4		A
dv/dt Circuit						
dv/dt	Output voltage ramp time	Enable to $V_{OUT} = 4.7\text{ V}$, No $C_{dv/dt}$		0.8		ms
Enable/Fault						
V_{IL}	Low level input voltage ⁽²⁾	Output Disabled	0.35	0.58	0.81	V
$V_{I(INT)}$	Intermediate level input voltage ⁽²⁾	Thermal Fault, Output Disabled	0.82	1.4	1.95	V
V_{IH}	High level input voltage	Output Enabled	1.96	2.64	3.3	V
$V_{I(MAX)}$	High state maximum voltage		3.4	4.3	5.4	V
I_{IL}	Low level input current (sink)	$V_{Enable} = 0\text{ V}$		-10	-30	μA
I_I	High level leakage current for external switch	$V_{Enable} = 3.3\text{ V}$			1	μA
	Maximum fan-out for fault signal	Total numbers of chips that can be connected to this pin for simultaneous shutdown			3	Units

Table 6. Electrical characteristics for STEF05D

Symbol	Parameter	Test conditions	Min.	Typ.	Max.	Unit
Total Device						
I_{Bias}	Bias current	Device operational		0.5	2	mA
		Thermal Shutdown		1		
V_{min}	Minimum operating voltage				3.1	V
Thermal Latch						
TSD	Shutdown temperature ⁽²⁾			165		°C

1. Pulse test: Pulse width = 300 μ s, Duty cycle = 2%

2. Limits in temperature are guaranteed by design, but not tested in production

5 Typical application

Figure 3. Application circuit

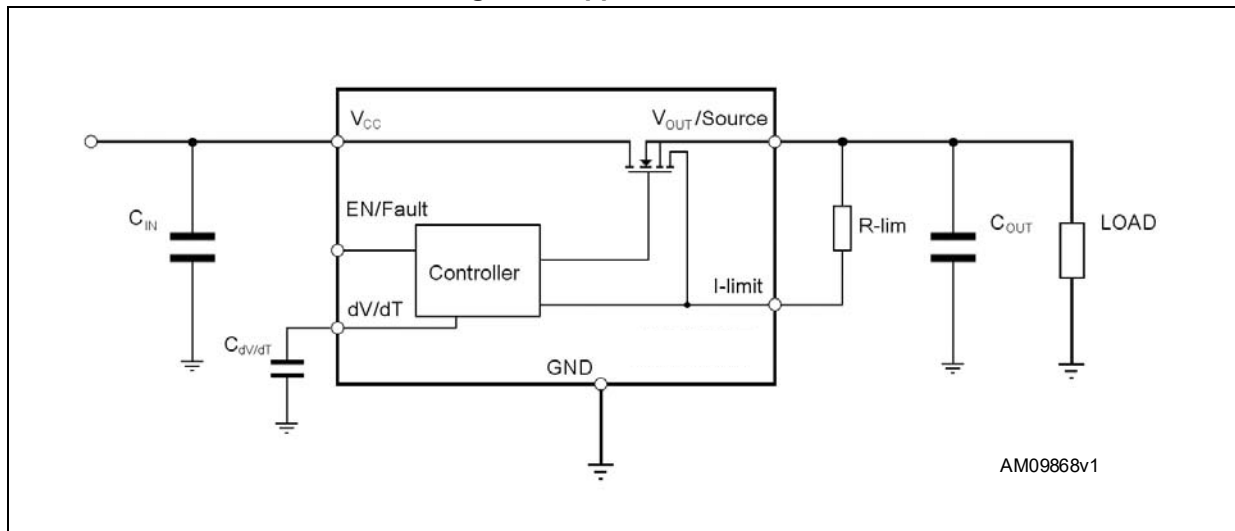
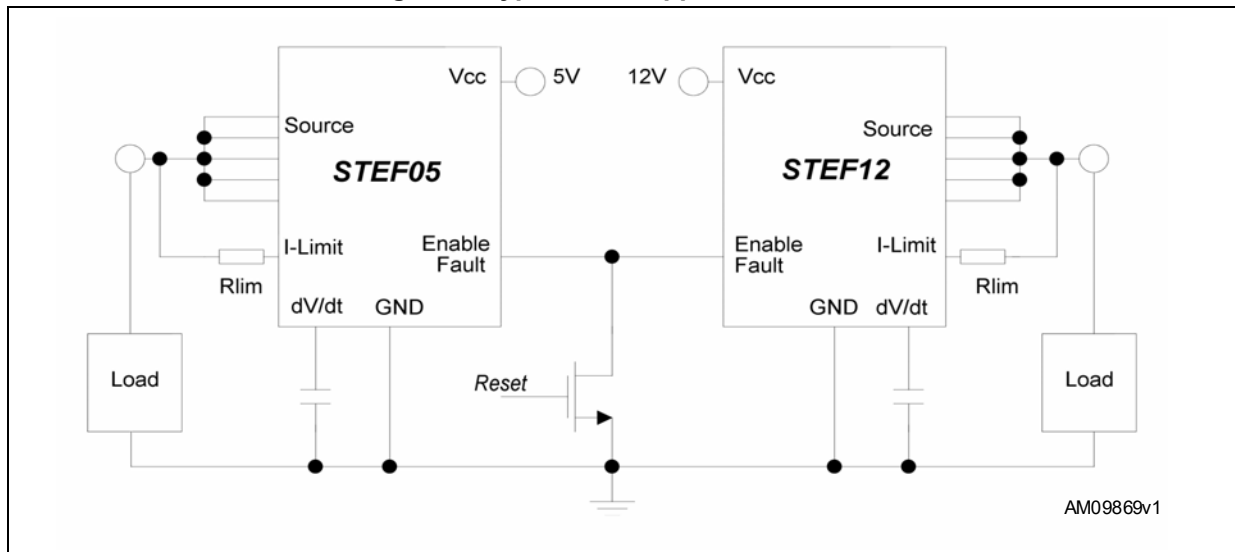


Figure 4. Typical HDD application circuit



5.1 Operating modes

5.1.1 Turn-on

When the input voltage is applied, the Enable/Fault pin goes up to the high state, enabling the internal control circuitry.

After an initial delay time of typically 200 μ s, the output voltage is supplied with a slope defined by the internal dv/dt circuitry. If no additional capacitor is connected to dv/dt pin, the total time from the Enable signal going high and the output voltage reaching the nominal value is around 1 ms (refer to [Figure 5](#) and [Figure 7](#)).

5.1.2 Normal operating condition

The STEF05D E-fuse behaves like a mechanical fuse, buffering the circuitry on its output with the same voltage shown at its input, with a small voltage fall due to the N-channel MOSFET $R_{DS(on)}$.

5.1.3 Output voltage clamp

This internal protection circuit clamps the output voltage to a maximum safe value, typically 6.65V, if the input voltage exceeds this threshold.

5.1.4 Current limiting

When an overload event occurs, the current limiting circuit reduces the conductivity of the power MOSFET, in order to clamp the output current at the value selected externally by means of the limiting resistor R_{Limit} ([Figure 3](#)).

5.1.5 Thermal shutdown

If the device temperature exceeds the thermal latch threshold, typically 165°C, the thermal shutdown circuitry turns the power MOSFET off, thus disconnecting the load. The EN/Fault pin of the device will automatically be set at an intermediate voltage, in order to signal the overtemperature event.

From this condition the E-fuse can be reset either by cycling the supply voltage or by pulling down the EN pin below the V_{ij} threshold, and then releasing it.

5.2 R_{Limit} calculation

As shown in [Figure 3](#), the device uses an internal N-channel sense FET with a fixed ratio, to monitor the output current and limit it at the level set by the user.

The R_{Limit} value for achieving the requested current limitation can be estimated by using the following theoretical formula, together with the graph in [Figure 13](#):

Equation 1

$$R_{Limit} = \frac{42}{I_{short}}$$

5.3 $C_{dv/dt}$ calculation

Connecting a capacitor between the $C_{dv/dt}$ pin and GND will allow the modification of the output voltage ramp time.

Given the desired time interval Δt during which the output voltage goes from zero to his maximum value, the capacitance to be added on $C_{dv/dt}$ pin can be calculated using the following theoretical formula:

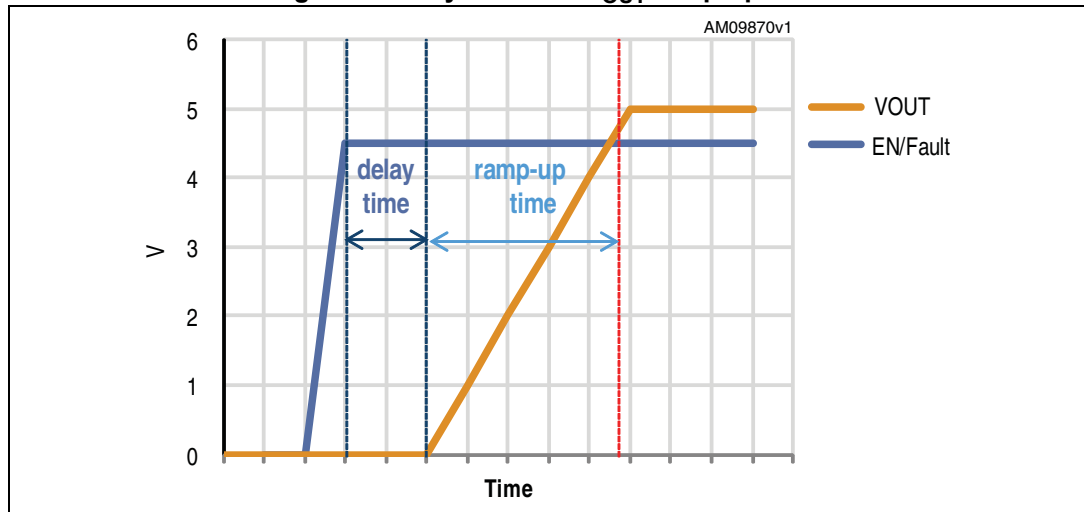
Equation 2

$$C_{dv/dt} = 36 \times 10^{-9} \Delta t - 30 \times 10^{-12}$$

Where $C_{dv/dt}$ is expressed in Farad, and the time Δt in seconds.

Figure 5 shows a graphical explanation of delay time and ramp-up time.

Figure 5. Delay time and V_{OUT} ramp-up time



5.4 Enable/fault pin

The Enable/Fault pin has the dual function of controlling the output of the device and, at the same time, of providing information about the device status to the application.

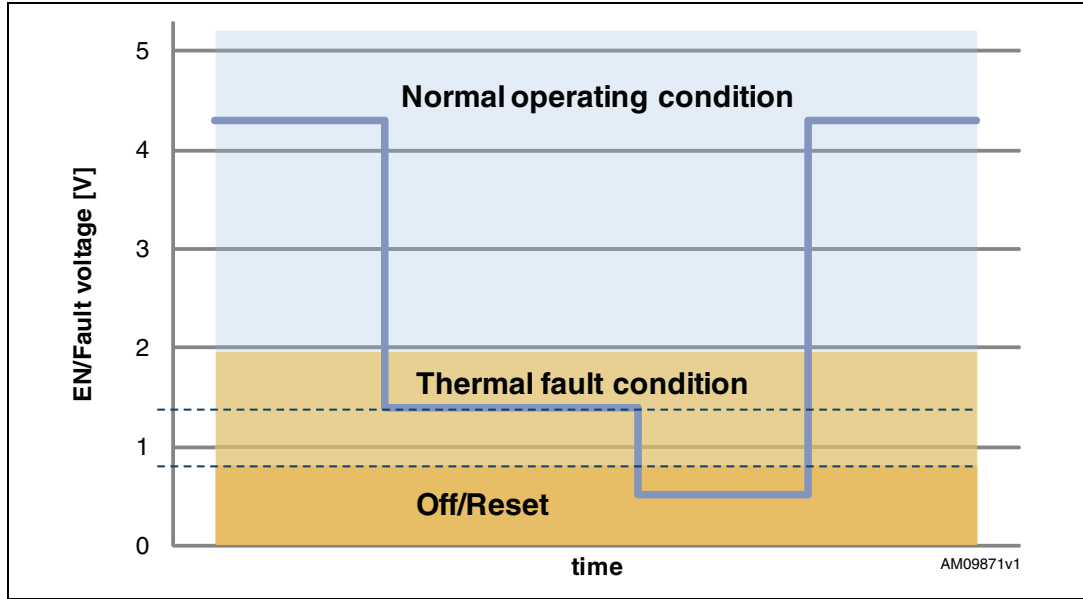
When it is used, it should be connected to an external open-drain or open-collector device. In this case, when it is pulled at low logic level, it turns the output of the E-Fuse off.

If this pin is left floating, since it has internal pull-up circuitry, the output of the E-Fuse is kept ON in normal operating conditions.

In case of thermal fault, the pin is pulled to an intermediate state (Figure 6). This signal can be provided to a monitor circuit, informing it that a thermal shutdown has occurred, or it can be directly connected to the Enable/Fault pins of other STEFxx devices on the same application in order to achieve a simultaneous enable/disable feature.

When a thermal fault occurs, the device can be reset either by cycling the supply voltage or by pulling down the Enable pin below the V_{il} threshold and then releasing it.

Figure 6. Enable/fault pin status



6 Typical performance characteristics

The following plots are referred to the typical application circuit and, unless otherwise noted, at $T_A = 25^\circ\text{C}$.

Figure 7. V_{OUT} ramp-up vs. EN/fault

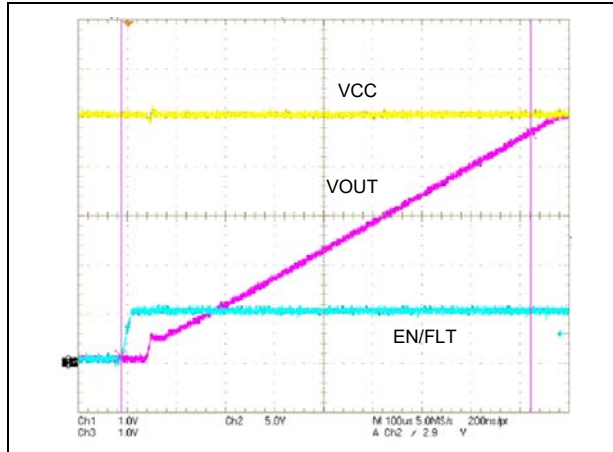


Figure 8. Startup vs. V_{CC}

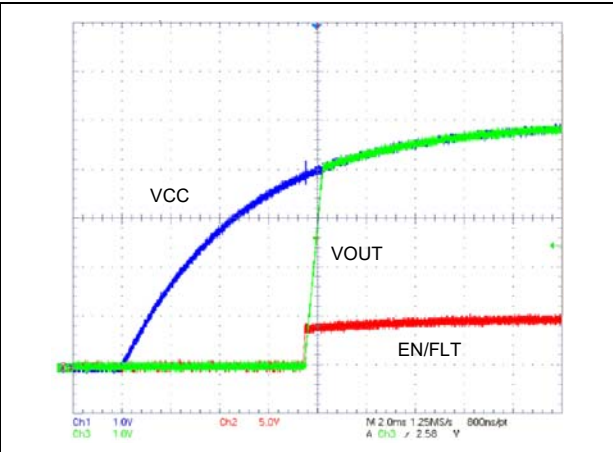


Figure 9. Startup @ short-circuit

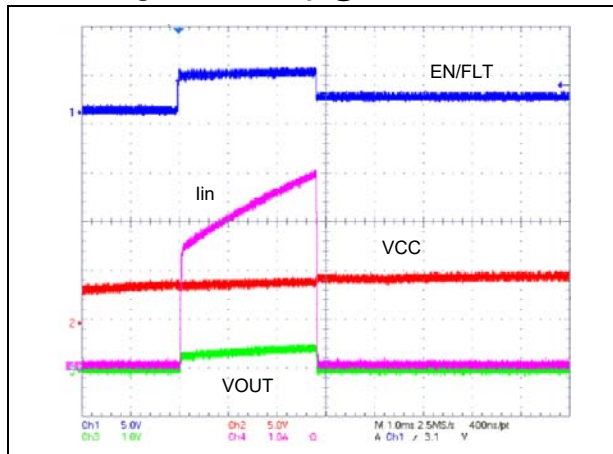


Figure 10. Startup @ heavy load

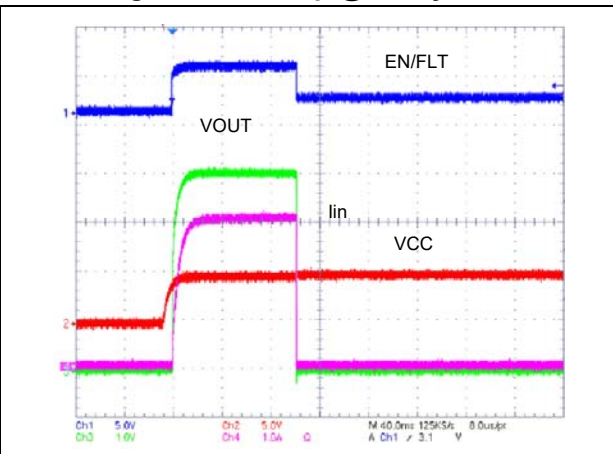


Figure 11. Startup vs. EN/fault

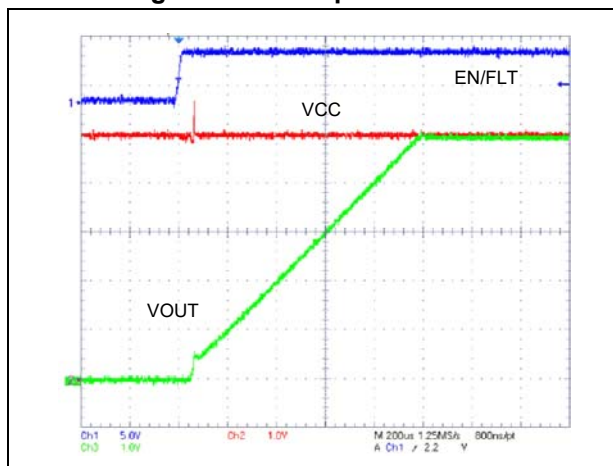


Figure 12. Clamp voltage

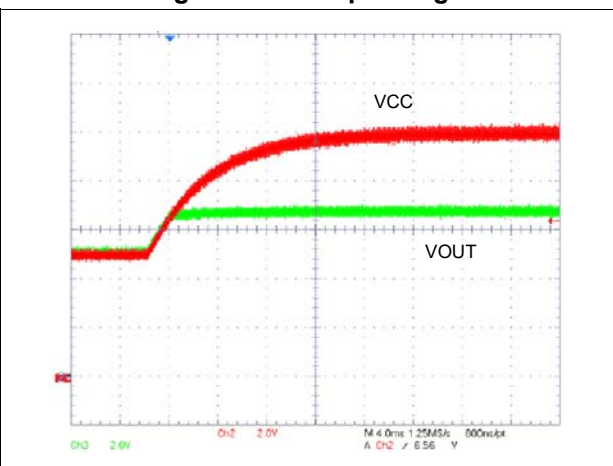


Figure 13. Current limit and short circuit current vs. R_{LIMIT}

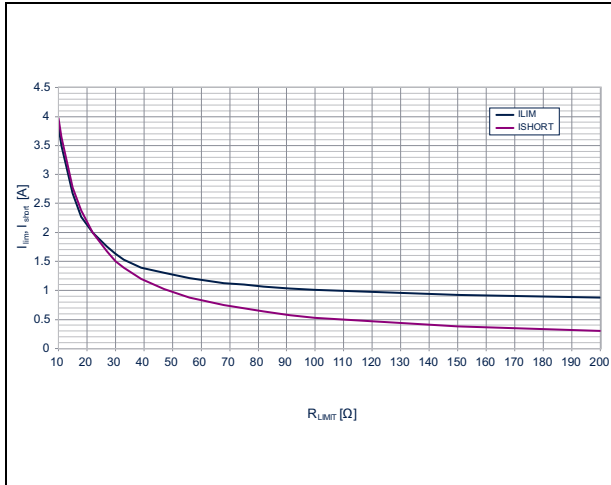
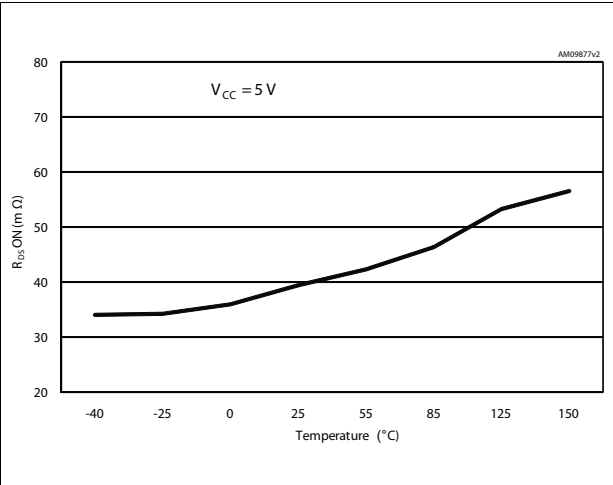


Figure 14. R_{DSON} vs. temperature



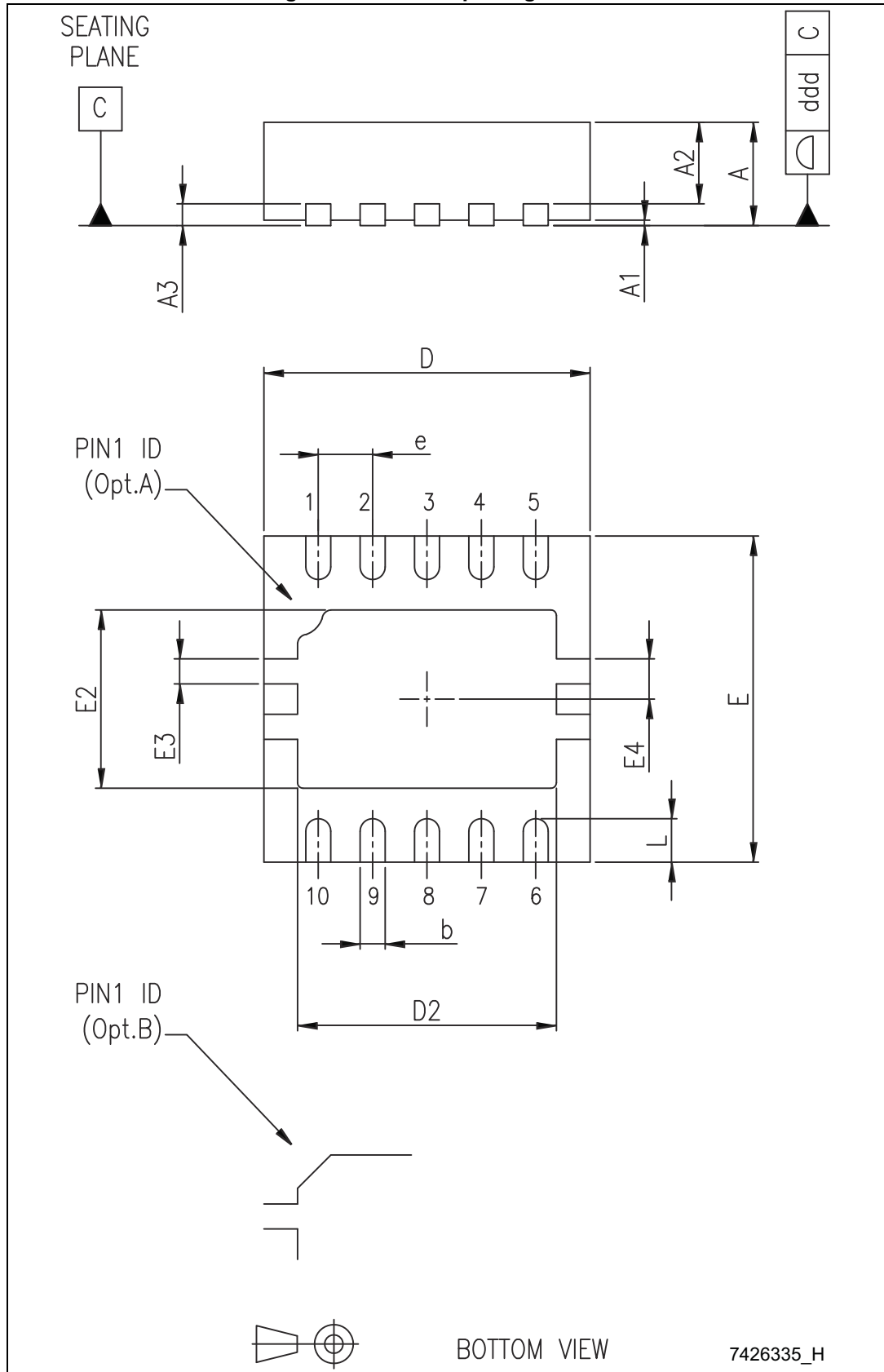
7 Package mechanical data

In order to meet environmental requirements, ST offers these devices in different grades of ECOPACK packages, depending on their level of environmental compliance. ECOPACK specifications, grade definitions and product status are available at: www.st.com. ECOPACK is an ST trademark.

Table 7. DFN10L (3 x 3 mm.) mechanical data

Dim.	mm.		
	Min.	Typ.	Max.
A	0.80	0.90	1.00
A1		0.02	0.05
A2	0.55	0.65	0.80
A3		0.20	
b	0.18	0.25	0.30
D	2.85	3.00	3.15
D2	2.20		2.70
E	2.85	3.00	3.15
E2	1.40		1.75
E3		0.230	
E4		0.365	
e		0.50	
L	0.30	0.40	0.50
ddd			0.08

Figure 15. DFN10L package outline



Tape and reel QFNxx/DFNxx (3x3 mm) mechanical data

Dim.	mm.			inch.		
	Min.	Typ.	Max.	Min.	Typ.	Max.
A			330			12.992
C	12.8		13.2	0.504		0.519
D	20.2			0.795		
N	60			2.362		
T			18.4			0.724
Ao		3.3		0.130		
Bo		3.3		0.130		
Ko		1.1		0.043		
Po		4		0.157		
P		8		0.315		

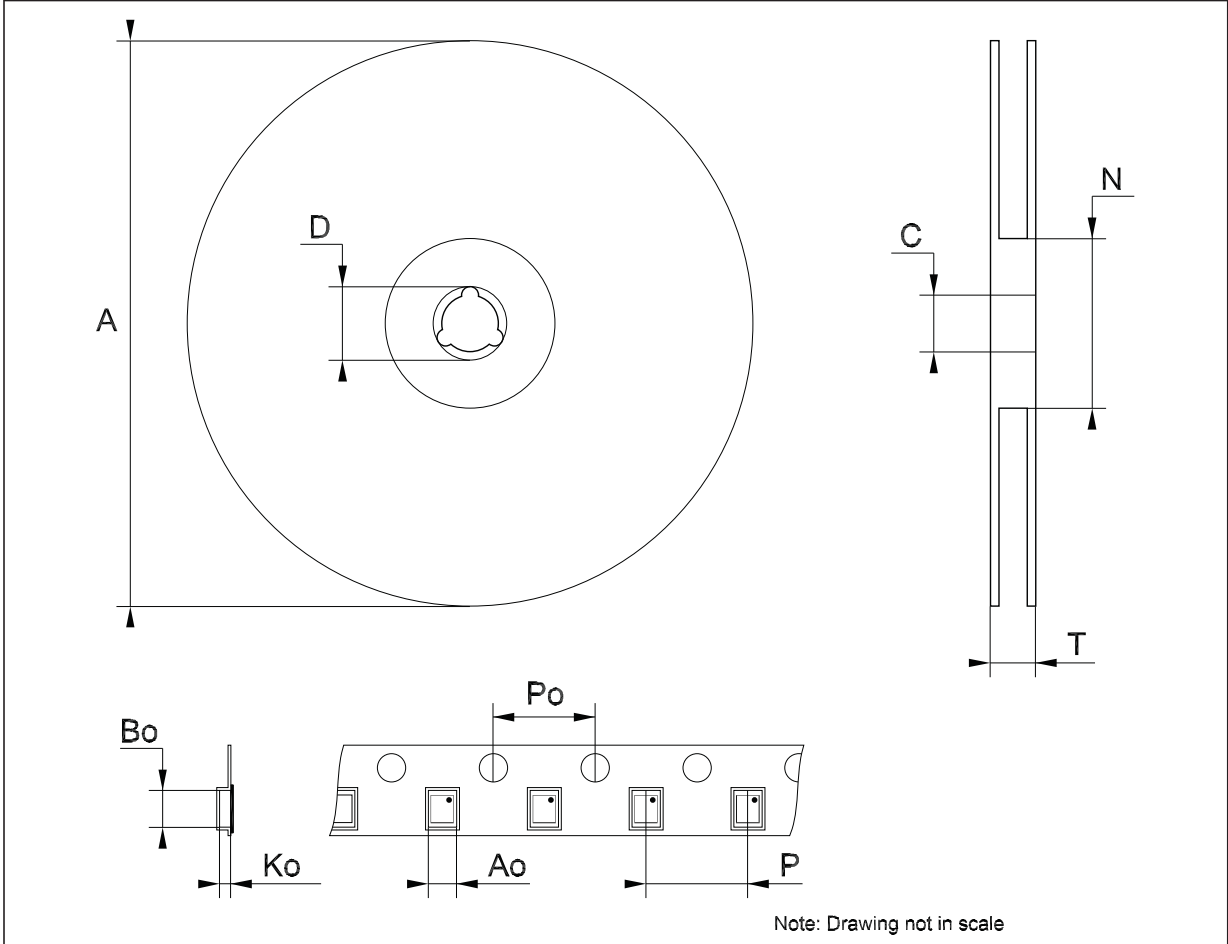
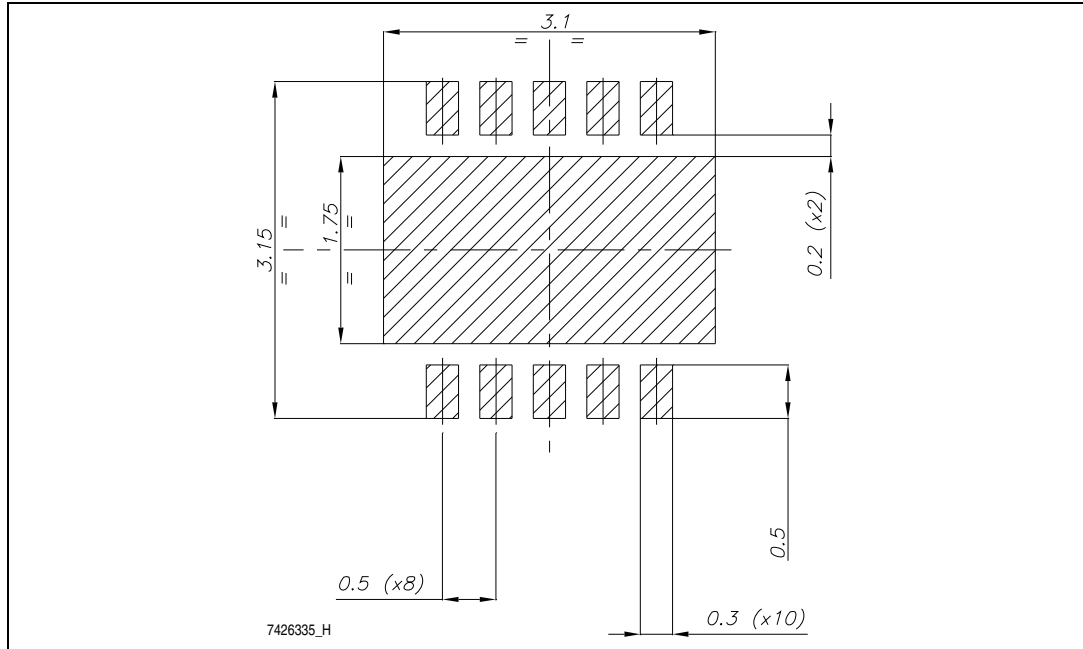


Figure 16. DFN10L footprint - recommended data (dimensions in mm.)



8 Revision history

Table 8. Document revision history

Date	Revision	Changes
19-Mar-2013	1	Initial release.
22-May-2020	2	Datasheet promoted from preliminary data to production data. Updated Figure 13 .

IMPORTANT NOTICE – PLEASE READ CAREFULLY

STMicroelectronics NV and its subsidiaries (“ST”) reserve the right to make changes, corrections, enhancements, modifications, and improvements to ST products and/or to this document at any time without notice. Purchasers should obtain the latest relevant information on ST products before placing orders. ST products are sold pursuant to ST’s terms and conditions of sale in place at the time of order acknowledgement.

Purchasers are solely responsible for the choice, selection, and use of ST products and ST assumes no liability for application assistance or the design of Purchasers’ products.

No license, express or implied, to any intellectual property right is granted by ST herein.

Resale of ST products with provisions different from the information set forth herein shall void any warranty granted by ST for such product.

ST and the ST logo are trademarks of ST. For additional information about ST trademarks, please refer to www.st.com/trademarks. All other product or service names are the property of their respective owners.

Information in this document supersedes and replaces information previously supplied in any prior versions of this document.

© 2020 STMicroelectronics – All rights reserved

X-ON Electronics

Largest Supplier of Electrical and Electronic Components

Click to view similar products for [Hot Swap Voltage Controllers](#) category:

Click to view products by [STMicroelectronics](#) manufacturer:

Other Similar products are found below :

[LTC4227CUFD-4#PBF](#) [LTC4212IMS](#) [ADM1075-2ARUZ-RL7](#) [LM5067MW-1/NOPB](#) [ADM1075-1ARUZ-RL7](#) [MAX5969BETB+T](#)
[MIC22700YML-TR](#) [LT1640LIS8#PBF](#) [LTC4217CDHC-12#PBF](#) [LT4294HDD#PBF](#) [LTC4253CGN#PBF](#) [LTC4211CMS8#PBF](#)
[LTC4230CGN#PBF](#) [LTC4224IMS-1#PBF](#) [LTC4216IMS#PBF](#) [LTC4212IMS#PBF](#) [LTC4260CGN#PBF](#) [LTC4227CGN-2#PBF](#)
[LTC4244IGN#PBF](#) [LTC4212CMS#PBF](#) [LT4250HCN8#PBF](#) [ADM1276-3ACPZ-RL](#) [LTC4226IUD-1#PBF](#) [LT1640AHCN8](#) [ADM1075-2ACPZ](#) [ADM1075-1ACPZ](#) [ADM1073ARUZ](#) [ADM1073ARUZ-REEL7](#) [ADM1075-1ARUZ](#) [ADM1075-2ARUZ](#) [ADM1170-1AUJZ-RL7](#)
[ADM1171-2AUJZ-RL7](#) [ADM1172-1AUJZ-RL7](#) [ADM1172-2AUJZ-RL7](#) [ADM1176-1ARMZ-R7](#) [ADM1177-1ARMZ-R7](#) [ADM1177-2ARMZ-R7](#) [ADM1178-1ARMZ-R7](#) [ADM1275-3ARQZ](#) [ADM1275-1ARQZ](#) [ADM1275-3ARQZ-R7](#) [ADM1276-3ACPZ](#) [ADM4210-1AUJZ-RL7](#) [ADM1275-2ARQZ](#) [ADM1070ARTZ-REEL7](#) [LTC1645IS#PBF](#) [LTC1645CS#PBF](#) [LTC4251BIS6-1#TRMPBF](#) [LTC1422IS8#PBF](#)
[LT1641CS8#PBF](#)