

---

**TFT LCD panel controller evaluation board based on  
STM3220F-EVAL**

---

Data brief



- Real-time camera image streaming to showcase the driver performance
- On-board constant current drive circuit for LED based TFT-LCD backlight
- Static image display with refresh rate of 60 frames per second
- RoHS compliant

**Description**

The purpose of the STEVAL-CCM004V2 evaluation board is to demonstrate the STM32F2x capabilities of the high performance Flexible Static Memory Controller (FSMC) interface to drive a TFT LCD.

A 3.5" QVGA resolution TFT-LCD panel is interfaced with the STM32 FSMC peripheral.

The STEVAL-CCM004V2 board is designed to be interfaced as daughter board for the STM320G-EVAL kit.

**Features**

- Direct RGB signal driving using STM32 without additional on-chip controller
- STM3220G-EVAL based plug-in daughter board for feature extensibility
- Ready-to-use graphic library APIs for easy GUI design

# 1 Schematic diagrams

Figure 1: LCD section

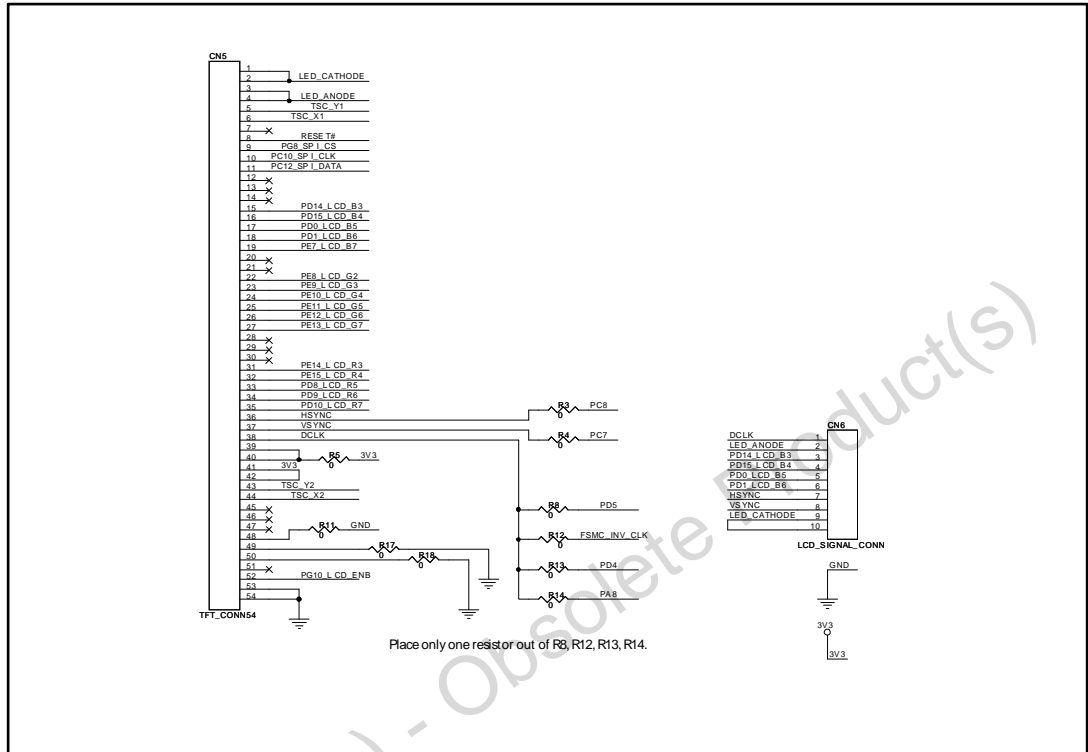


Figure 2: Single channel inverter

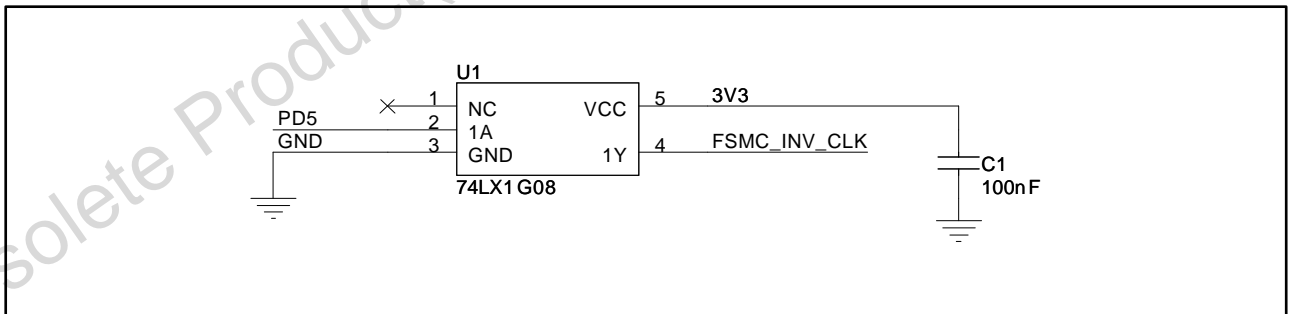


Figure 3: Touchscreen controller

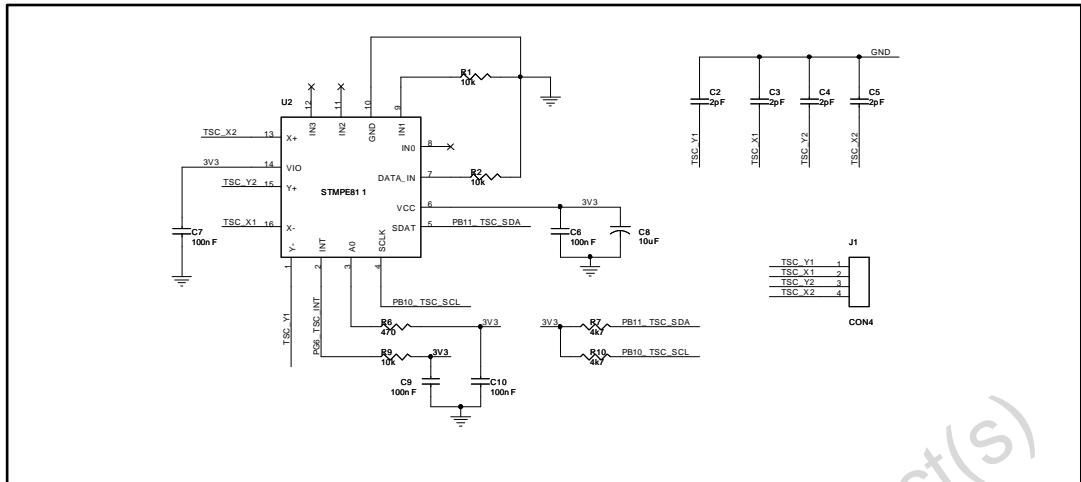


Figure 4: EVAL board connector section

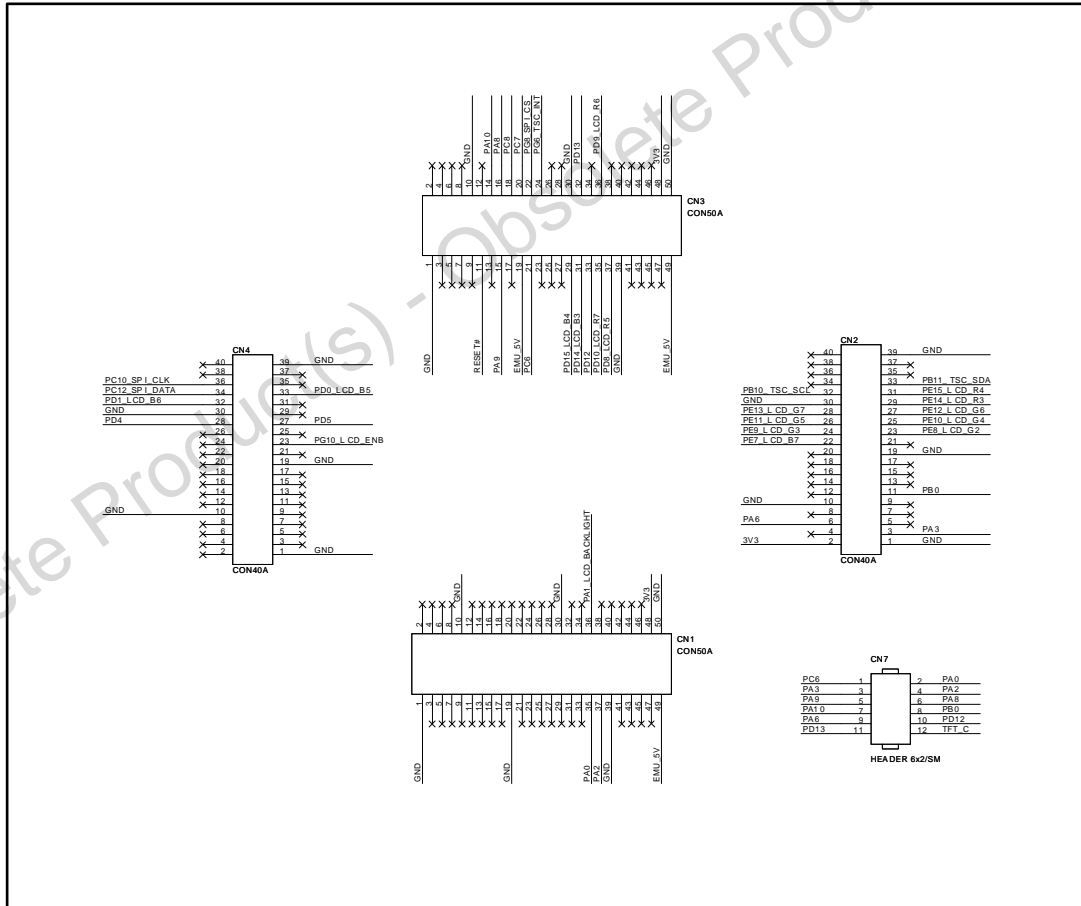
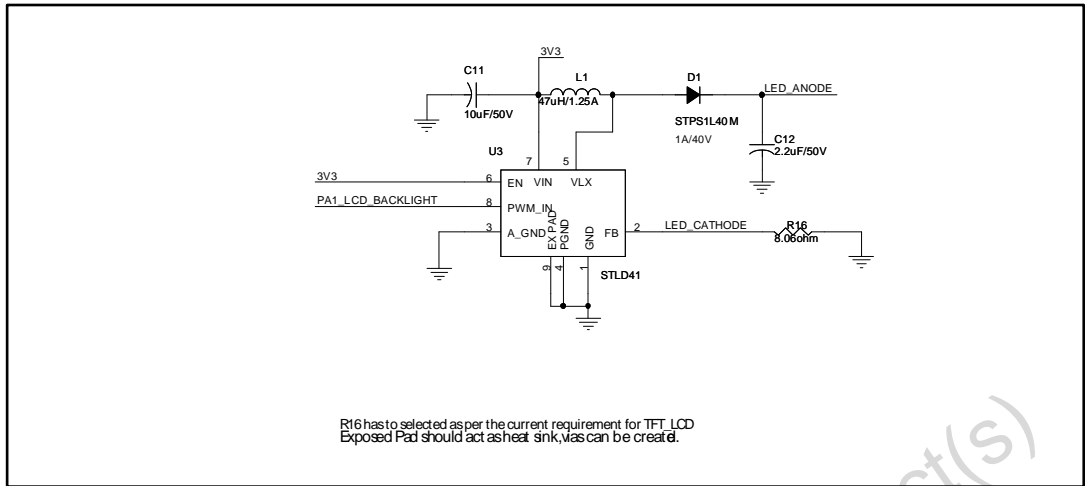


Figure 5: LCD backlight driver



Obsolete Product(s) - Obsolete Product(s)

## 2 Revision history

Table 1: Document revision history

Date	Revision	Changes
16-Dec-2013	1	First release

Obsolete Product(s) - Obsolete Product(s)

**Please Read Carefully**

Information in this document is provided solely in connection with ST products. STMicroelectronics NV and its subsidiaries ("ST") reserve the right to make changes, corrections, modifications or improvements, to this document, and the products and services described herein at any time, without notice.

All ST products are sold pursuant to ST's terms and conditions of sale.

Purchasers are solely responsible for the choice, selection and use of the ST products and services described herein, and ST assumes no liability whatsoever relating to the choice, selection or use of the ST products and services described herein.

No license, express or implied, by estoppel or otherwise, to any intellectual property rights is granted under this document. If any part of this document refers to any third party products or services it shall not be deemed a license grant by ST for the use of such third party products or services, or any intellectual property contained therein or considered as a warranty covering the use in any manner whatsoever of such third party products or services or any intellectual property contained therein.

**UNLESS OTHERWISE SET FORTH IN ST'S TERMS AND CONDITIONS OF SALE ST DISCLAIMS ANY EXPRESS OR IMPLIED WARRANTY WITH RESPECT TO THE USE AND/OR SALE OF ST PRODUCTS INCLUDING WITHOUT LIMITATION IMPLIED WARRANTIES OF MERCHANTABILITY, FITNESS FOR A PARTICULAR PURPOSE (AND THEIR EQUIVALENTS UNDER THE LAWS OF ANY JURISDICTION), OR INFRINGEMENT OF ANY PATENT, COPYRIGHT OR OTHER INTELLECTUAL PROPERTY RIGHT.**

**ST PRODUCTS ARE NOT DESIGNED OR AUTHORIZED FOR USE IN: (A) SAFETY CRITICAL APPLICATIONS SUCH AS LIFE SUPPORTING, ACTIVE IMPLANTED DEVICES OR SYSTEMS WITH PRODUCT FUNCTIONAL SAFETY REQUIREMENTS; (B) AERONAUTIC APPLICATIONS; (C) AUTOMOTIVE APPLICATIONS OR ENVIRONMENTS, AND/OR (D) AEROSPACE APPLICATIONS OR ENVIRONMENTS. WHERE ST PRODUCTS ARE NOT DESIGNED FOR SUCH USE, THE PURCHASER SHALL USE PRODUCTS AT PURCHASER'S SOLE RISK, EVEN IF ST HAS BEEN INFORMED IN WRITING OF SUCH USAGE, UNLESS A PRODUCT IS EXPRESSLY DESIGNATED BY ST AS BEING INTENDED FOR "AUTOMOTIVE, AUTOMOTIVE SAFETY OR MEDICAL" INDUSTRY DOMAINS ACCORDING TO ST PRODUCT DESIGN SPECIFICATIONS. PRODUCTS FORMALLY ESCC, QML OR JAN QUALIFIED ARE DEEMED SUITABLE FOR USE IN AEROSPACE BY THE CORRESPONDING GOVERNMENTAL AGENCY.**

Resale of ST products with provisions different from the statements and/or technical features set forth in this document shall immediately void any warranty granted by ST for the ST product or service described herein and shall not create or extend in any manner whatsoever, any liability of ST.

ST and the ST logo are trademarks or registered trademarks of ST in various countries.

Information in this document supersedes and replaces all information previously supplied.

The ST logo is a registered trademark of STMicroelectronics. All other names are the property of their respective owners.

© 2013 STMicroelectronics - All rights reserved

STMicroelectronics group of companies

Australia - Belgium - Brazil - Canada - China - Czech Republic - Finland - France - Germany - Hong Kong - India - Israel - Italy  
- Japan - Malaysia - Malta - Morocco - Philippines - Singapore - Spain - Sweden - Switzerland - United Kingdom - United  
States of America

[www.st.com](http://www.st.com)

## X-ON Electronics

Largest Supplier of Electrical and Electronic Components

*Click to view similar products for [Display Development Tools](#) category:*

*Click to view products by [STMicroelectronics](#) manufacturer:*

Other Similar products are found below :

[KIT 60121-3](#) [S5U13L02P00C100](#) [S5U13U11P00C100](#) [4172800XX-3](#) [TW8823-LC2-EVAL](#) [KIT 67134-3](#) [LCD8000-43T](#) [CC-ACC-LCDW-70](#) [TW8836-L-EVAL](#) [TW8819-NA2-CR-EVAL](#) [MAX14521EEVKIT](#) [121CBL02-RPK](#) [KIT 60145-3](#) [S5U13748P00C100](#) [DFR0413](#) [ADM00931](#) [3248](#) [MIKROE-3158](#) [MIKROE-3159](#) [DLPLCR90EVM](#) [DLPLCR67EVM](#) [DLPLCR50XEVM](#) [DLPLCRC900DEVM](#) [MAX20069EVKIT#](#) [LCD-16397](#) [LCD-16398](#) [KIT95000-3](#) [1109](#) [MIKROE-2449](#) [MIKROE-2453](#) [TSC2007EVM-PDK](#) [131](#) [1316](#) [1431](#) [DEV-13628](#) [1590](#) [MIKROE-2269](#) [1601](#) [1673](#) [1770](#) [TPS65132BEVM](#) [UEZGUI-1788-70WVM](#) [1947](#) [1983](#) [KIT 60110-3](#) [KIT 60125-3](#) [KIT 67110-3](#) [4172700XX-3](#) [2050](#) [3273](#)