

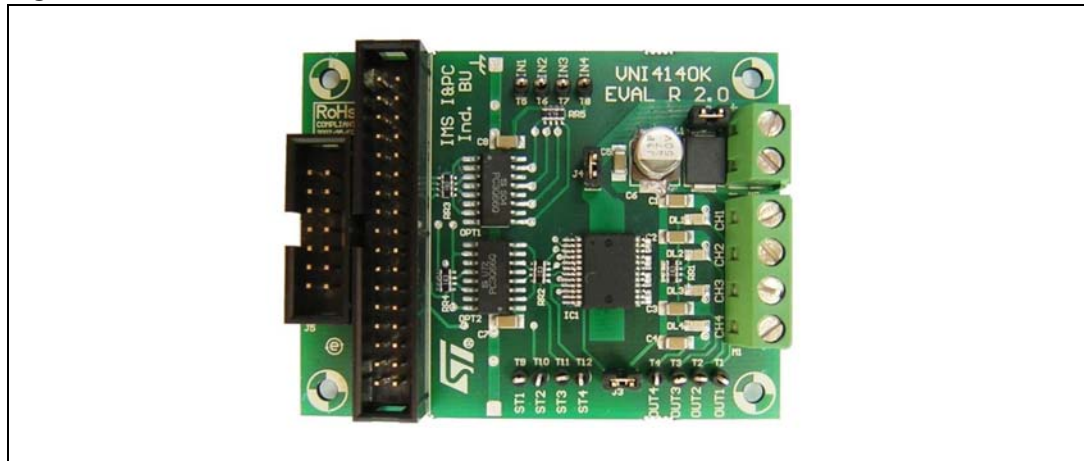
STEVAL-IFP006V1: designing with VNI4140K quad high-side smart power solid-state relay ICs

Introduction

The STEVAL-IFP006V1 demonstration board has been developed to show the new VNI4140K device functionalities within industrial applications such as PLCs (programmable logic controllers) which drive lamps, valves, relays, and similar loads.

This tool allows evaluating VNI4140K features, in particular all kinds of embedded self-protections, power-handling capabilities, operation and diagnostic feedback, thermal behavior and conformity to inherent IEC standards.

Figure 1. STEVAL-IFP006V1



A double-sided PCB allows obtaining the best trade-off between a routing solution and thermal management results.

The main features of the demonstration board are:

- Four output channels (4 x 0.7 A)
- Four input channels
- Four feedback channels for diagnostic purposes
- Bidirectional opto-isolated interface for MCU safe connection
- TTL/CMOS compatible signals for MCU direct connection
- LEDs to indicate output state
- Compliance to IEC61000-4-4 and IEC61000-4-5
- Compatibility with existing STMicroelectronics tools (IBU communication board, CANIC10...)
- 10.5 V to 36 V DC power supply voltage range

Contents

1	Electrical characteristics	4
2	Safety precautions	5
3	VNI4140K quad high-side smart power solid-state relay IC	
	description	6
4	IFP006V1 demonstration board description	8
4.1	Overview	8
4.2	IFP006V1 schematic	9
4.3	IFP006V1 connectors	10
4.4	IFP006V1 thermal management	11
4.5	EMC immunity test	12
4.5.1	Description	12
4.5.2	Test conditions	12
4.5.3	Burst immunity test	13
4.5.4	Surge test	14
Appendix A	Bill of material	16
Appendix B	PCB layout	18
Appendix C	References	19
	Revision history	20

List of figures

Figure 1.	STEVAL-IFP006V1	1
Figure 2.	Block diagram	6
Figure 3.	IFP006V1 top view	8
Figure 4.	IFP006V1 bottom view	8
Figure 5.	IFP006V1 schematic.	9
Figure 6.	J1 connector pinout	10
Figure 7.	J5 connector pinout	10
Figure 8.	IFP006V1 PCB copper heatsink	11
Figure 9.	Thermal map in steady state condition	11
Figure 10.	Thermal map in demagnetization condition (1 Hz repetitive cycling on 48 W 1.2 H load) . 11	
Figure 11.	Steady state thermal behavior 3D simulation	12
Figure 12.	Repetitive demagnetization thermal behavior 3D simulation (1 Hz repetitive cycling on 48 W 1.2 H load)	12
Figure 13.	Burst timing waveform	13
Figure 14.	Surge standard timing waveform	14
Figure 15.	IFP006V1 component layer	18
Figure 16.	IFP006V1 copper top layer	18
Figure 17.	IFP006V1 copper bottom layer	18

1 Electrical characteristics

The electrical characteristics of the VNI4140k demonstration board (STEVAL-IFP006V1) are given in [Table 1](#).

Table 1. STEVAL-IFP006V1 electrical characteristics

Parameter	Value			Notes
	Min	Typ	Max	
Operating conditions				
Ambient operating temperature			85 °C	If the VNI4140K junction temperature exceeds 180 °C, device shuts down
Power supply				
Vcc supply voltage	10.5 V	24 V	36 V	
Vdd logic supply voltage		5 V		From eval communication board
Supply current on Vdd		250 μ A		All channels in OFF state
		2.4 mA	4.8 mA	ON state with $V_{in} = 5$ V
Output stage				
Output channel ON current limitation	0.7 A		1.7 A	IC internally limited $V_{CC} = 24$ V; $R_{LOAD} < 10$ m Ω
Maximum DC output current		1.4 A		Dynamic load
dV/dt(ON) turn-on voltage slope		0.7 V/ μ s		$I_{OUT} = 0.5$ A, resistive load
dV/dt(off) turn-off voltage slope		1.5 V/ μ s		$I_{OUT} = 0.5$ A, resistive load
Demagnetization protection				
Output voltage on inductive turn-off	Vcc-41	Vcc-45	Vcc-50	$I_{OUT} = 0.5$ A; $L_{LOAD} \geq 1$ mH

2 Safety precautions

The board must be used only by expert technicians. The copper areas around the VNI4140K device have a heat sink function, visible in the top layer layout view, refer to [Figure 8](#). In case of short-circuit, current limiting or hard demagnetization, the STEVAL-IFP006V1 board, or part of it, might reach a very high temperature with consequent danger.

No specific protections are implemented for reverse DC accidental connection. Remember that an electrolytic capacitor is connected to the supply bus, therefore a reverse continuous DC voltage applied to it may produce a dangerous explosion.

Warning: ST assumes no responsibility for any consequences which may result from the improper use of this tool.

3 VNI4140K quad high-side smart power solid-state relay IC description

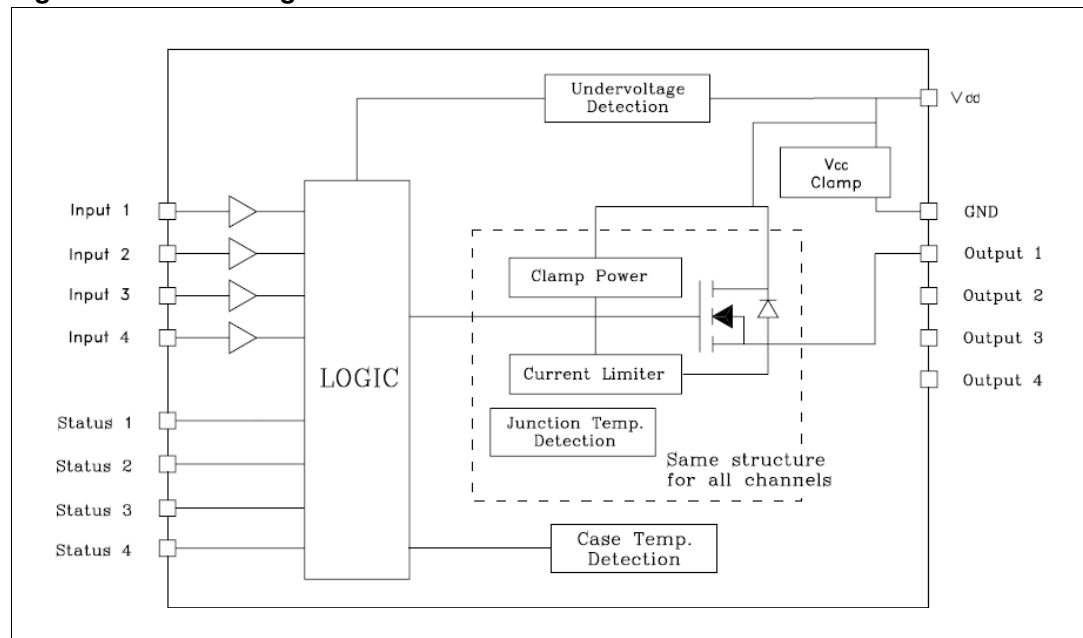
The VNI4140k is a monolithic 4-channel driver featuring a very low supply current. The IC, which uses STMicroelectronics VIPower technology, is intended for driving loads with one side connected to ground.

Active channel current limitation, combined with thermal shutdown (independent for each channel) and automatic restart, protect the device against overload.

The main features of the VNI4140K IC are:

- Output current: 0.7 A per channel
- Shorted load protections for each channel
- Junction overtemperature protection
- Case overtemperature protection for thermal independence of the channels
- Thermal case shutdown and restart not simultaneous for the various channels
- Protection against ground disconnection
- Current limitation
- Undervoltage shutdown
- Open drain diagnostic outputs
- 3.3 V CMOS/TTL compatible inputs
- Fast demagnetization of inductive loads
- Conforms to IEC 61131-2

Figure 2. Block diagram



Active current limitation avoids that the system power supply drops in case of shorted load. In overload condition, the channel turns OFF and back ON automatically after the IC temperatures decrease below a threshold fixed by a temperature hysteresis so that junction

temperature is controlled. If this condition makes the case temperature reach the case temperature limit (T_{CSD}), overloaded channels (i.e. the ones for which junction temperature has exceeded the junction protection threshold, T_{jSD} , and has not fallen below the junction protection reset threshold, T_{jR}) are turned OFF. These channels restart, non-simultaneously, only when the case temperature decreases below the case protection reset threshold (T_{CR}). Non-overloaded channels continue to operate normally.

The open drain diagnostic outputs indicate related channel overtemperature conditions.

4 IFP006V1 demonstration board description

4.1 Overview

The VNI4140K demonstration board is composed of two main sections:

- Opto-isolated interface for input and status signals
- A four-channel self-protect power stage section with STMicroelectronics Transil™ diode protection

The demonstration board consists of a double-sided FR4 printed circuit board with 35 µm copper plating. The PCB dimensions are 52 mm x 68 mm. The top and bottom views are shown below.

Figure 3. IFP006V1 top view

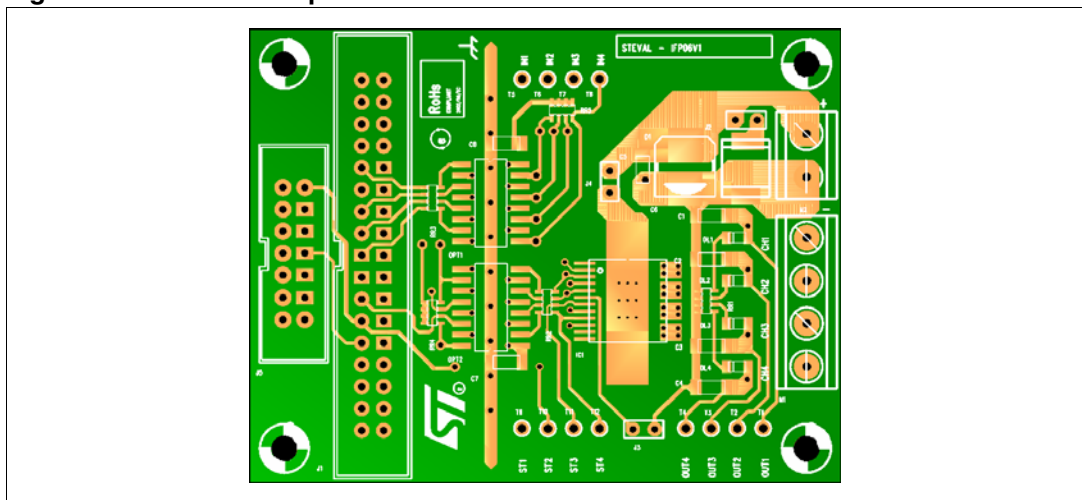
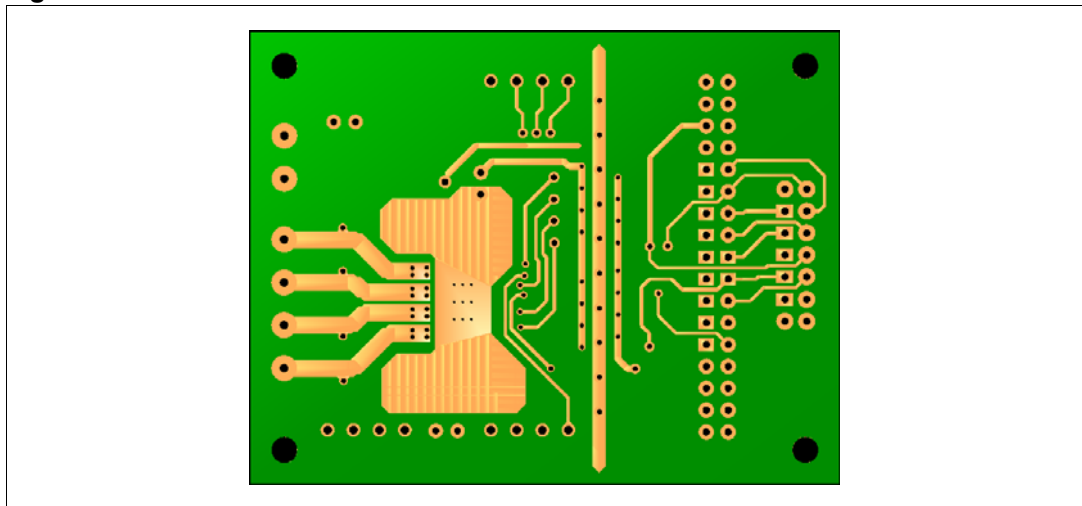
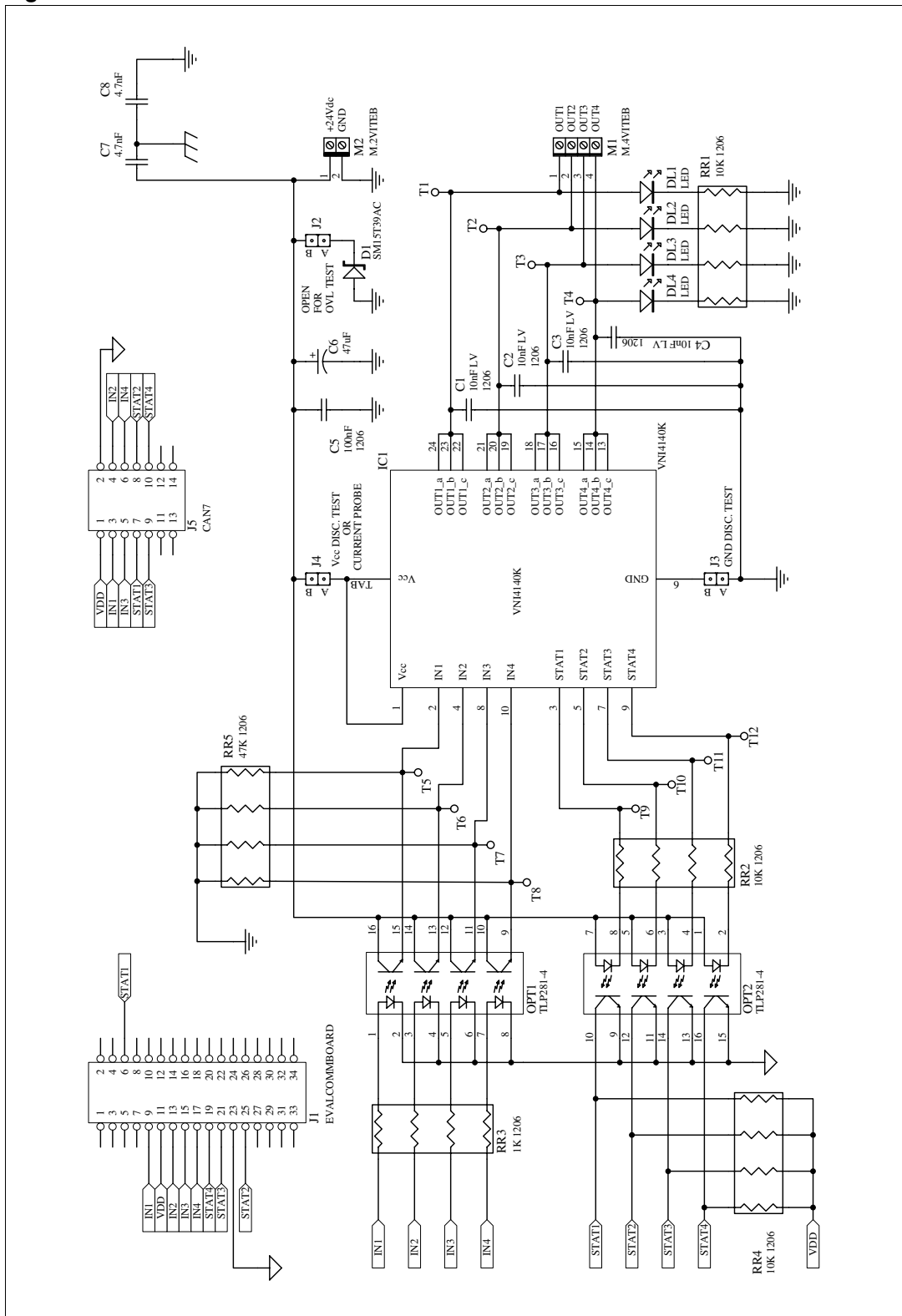


Figure 4. IFP006V1 bottom view



4.2 IFP006V1 schematic

Figure 5. IFP006V1 schematic



4.3 IFP006V1 connectors

The demonstration board is equipped with input and output connectors. Specifically, there are two input header connectors (J5 and J1), one 4-channel output connector (M1), and a supply voltage connector (M2).

Both input connectors, J5 and J1, provide the same bidirectional signals guaranteeing the maximum compatibility with existing STMicroelectronics tools such as the industrial communication board (see AN2451) and similar products.

Figure 6. J1 connector pinout

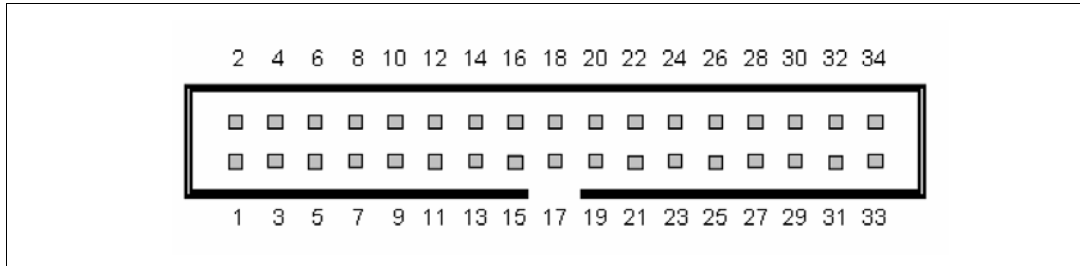


Figure 7. J5 connector pinout

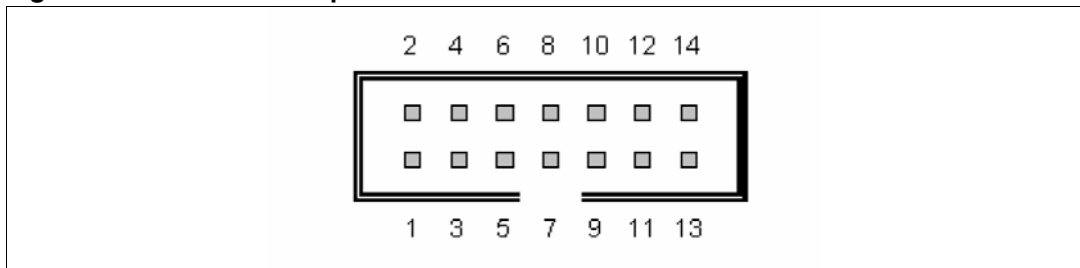


Table 2. J1 and J5 pin description

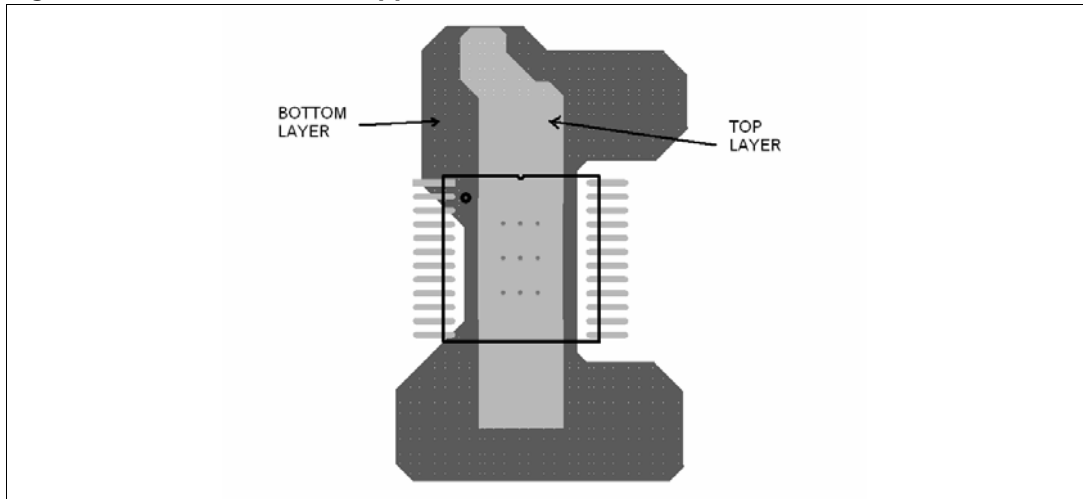
J1 pin number	J5 pin number	Signal	Type
11	1	Vdd	5/3.3 V supply voltage
23	2	GND	Signal ground
9	3	IN1	Input channel 1
13	4	IN2	Input channel 2
15	5	IN3	Input channel 3
17	6	IN4	Input channel 4
6	7	STAT1	Status channel 1
25	8	STAT2	Status channel 2
21	9	STAT3	Status channel 3
19	10	STAT4	Status channel 4

4.4 IFP006V1 thermal management

The IFP006V1 PCB has two heatsinks: approximately 1 sq. cm on the top layer and 3 sq. cm on the bottom layer, thermally interconnected through 9 vias, as shown in [Figure 8](#).

In a steady state condition low $R_{DS(on)}$ ensures a very low dissipation but in current limitation and in fast demagnetization, the power dissipation is much higher, requiring a low thermal resistance through the device exposed tab, soldering space, top layer, vias and bottom layer path. A 35 μm copper (10 oz/sq. ft) thickness and 0.3 mm diameter for the vias are used according to EIA/JESD51-5.

Figure 8. IFP006V1 PCB copper heatsink



[Figure 9](#) and [11](#) show the IFP006V1 temperature map with all channels permanently switched ON, 48 Ω loads, 24 V supply voltage and ambient temperature of 25 $^{\circ}\text{C}$. The IC temperature increase is only about a few degrees.

[Figure 10](#) and [12](#) show a similar map when the IC is cycling at 1 Hz, 50% duty cycle, 48 Ω 1.2 H loads, 24 V supply voltage and ambient temperature of 25 $^{\circ}\text{C}$.

Figure 9. Thermal map in steady state condition

Figure 10. Thermal map in demagnetization condition (1 Hz repetitive cycling on 48 Ω 1.2 H load)

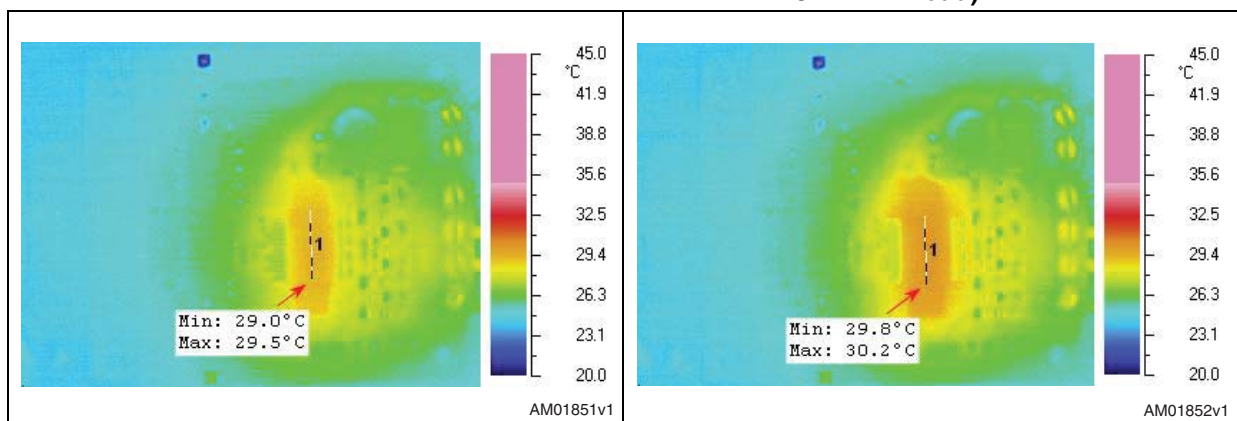
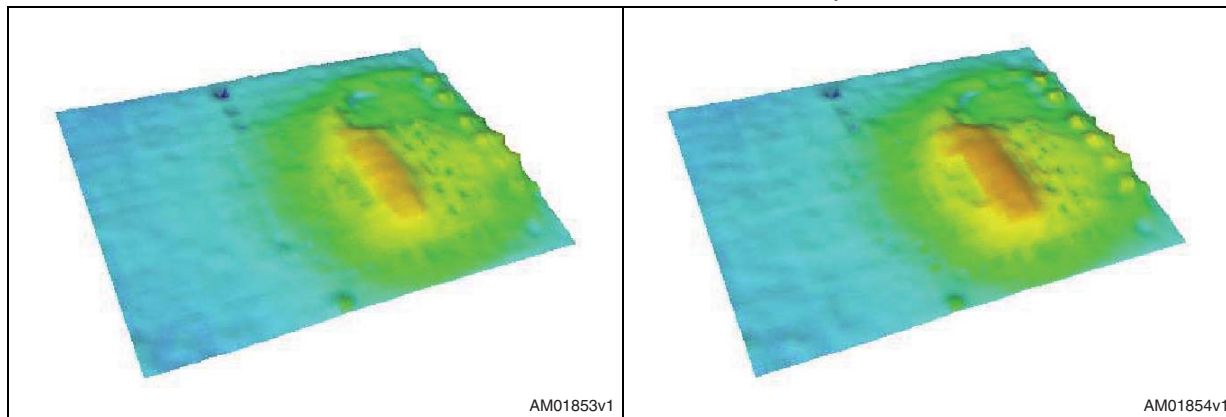


Figure 11. Steady state thermal behavior 3D simulation**Figure 12. Repetitive demagnetization thermal behavior 3D simulation (1 Hz repetitive cycling on 48 Ω 1.2 H load)**

In particular [Figure 11](#) and [12](#) show 3D thermal modelization of the device.

4.5 EMC immunity test

4.5.1 Description

IFP006V1 has been tested according to EMC immunity standards IEC61000-4-4 (fast transient burst) and IEC61000-4-5 (high energy surge).

A fast transient burst test has been performed all channels.

Each channel under test is cycling ON and OFF at 1 Hz, duty cycle 50%, on four 48 Ω load resistors at 24 Vdc supply voltage.

A burst signal was applied using an ultra-compact simulator with an internal capacitive coupling clamp tool.

4.5.2 Test conditions

- Ambient temperature: 25.6 °C
- Ambient humidity: 46%
- Main voltage power supply: 24 Vdc
- DC insulated voltage: 5 Vdc
- Loads: 4 x 48 Ω power resistor

4.5.3 Burst immunity test

Table 3 gives the burst setup configuration adopted to perform this test.

Table 3. Burst setup configuration

Test level	Condition
Pulse time t_r	5 ns \pm 30%
Pulse duration t_d	50 ns \pm 30%
Source impedance	$Z_q = 50 \Omega \pm 20\%$
Polarity	Positive / negative
Burst duration (t_d)	15 ms \pm 20%
Burst frequency (f)	5 kHz
Burst period (t_r)	300 ms \pm 20%
Duration time (T)	5 min

Figure 13 below shows the standard timing waveform applied during the burst test.

Figure 13. Burst timing waveform

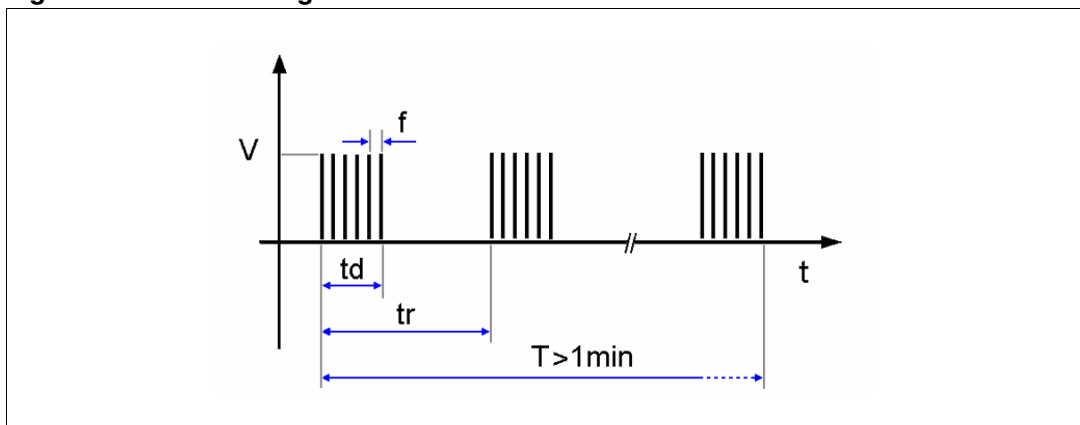


Table 4 shows the results of an inherent burst test. Normal performance has been observed when applying four different disturbance levels on the output ports and Vcc main voltage power supply.

Table 4. Burst test results

Burst standard test routines	Level	Voltage (kV)	Acceptance criteria ⁽¹⁾
IEC 61000-4-4	Level 1	0.5	A
IEC 61000-4-4	Level 2	1	A
IEC 61000-4-4	Level 3	2	A
IEC 61000-4-4	Level 4	4	A

1. Classification of the test

(Criteria A): normal performance

(Criteria B): temporary degradation or loss of function or performance with automatic return to normal operation

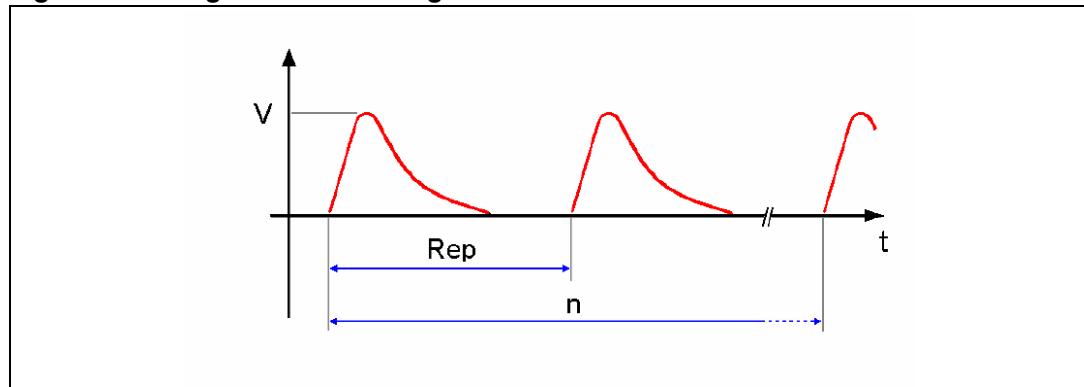
(Criteria C): temporary degradation or loss of function with external intervention to recover normal operation

(Criteria D): degradation or loss of function, need replacement of damaged components to recover normal operation.

4.5.4 Surge test

A high energy surge test was performed in differential mode. A high surge signal was injected on the DUT (device under test) through a 42 Ω decoupling resistor. The test consisted of three positive and three negative discharges with a repetition rate of 1 discharge per minute.

[Figure 14](#) shows the standard timing waveform applied on the DUT.

Figure 14. Surge standard timing waveform

[Table 5](#) below shows normal performance of the device.

Table 5. Surge test results

Surge standard test routines	Level	Voltage (V)	Acceptance criteria ⁽¹⁾
IEC 61000-4-5	Level 1	500	A
IEC 61000-4-5	Level 2	1000	A
IEC 61000-4-5	Level 3	2000	A

1. Classification of the test

(Criteria A): normal performance

(Criteria B): temporary degradation or loss of function or performance with automatic return to normal operation

(Criteria C): temporary degradation or loss of function with external intervention to recover normal operation

(Criteria D): degradation or loss of function, need replacement of damaged components to recover normal operation.

Appendix A Bill of material

Table 6. IFP006V1 demonstration board bill of material

Designator	Part type	Description
RR1	10 k Ω x 4	SMD resistor pack 1206 format
RR2	10 k Ω x 4	SMD resistor pack 1206 format
RR3	1 k Ω x 4	SMD resistor pack 1206 format
RR4	10 k Ω x 4	SMD resistor pack 1206 format
RR5	47 k Ω x 4	SMD resistor pack 1206 format
C1	10 nF LV	SMD capacitor 1206 format
C2	10 nF LV	SMD capacitor 1206 format
C3	10 nF LV	SMD capacitor 1206 format
C4	10 nF LV	SMD capacitor 1206 format
C5	100 nF	SMD capacitor 1206 format
C6	47 μ F 50 V	SMD electrolytic capacitor
C7	4.7 nF	SMD capacitor 1206 format
C8	4.7 nF	SMD capacitor 1206 format
D1	SM15T39AC	Transil™ diode
DL1	LED diode	SMD LED diode 0805 format
DL2	LED diode	SMD LED diode 0805 format
DL3	LED diode	SMD LED diode 0805 format
DL4	LED diode	SMD LED diode 0805 format
OPT1	PC3Q66Q	4-channel OPTO isolator
OPT2	PC3Q66Q	4-channel OPTO isolator
IC1	VNI4140K	ST IC Industrial 4 CH HSD
J1	HADER 34-pin	Compatible EVALCOMMBBOARD
J2	Jumper	Overvoltage test
J3	Jumper	Ground disconnection test
J4	Jumper	V _{CC} disconnection test
J5	Hader 14-pin	Compatible ST7CANIC DB
M1	4 screw plugs	HSD output connector
M2	2 screw plugs	Power supply connector
T1	Test point	HSD output channel 1 voltage
T2	Test point	HSD output channel 2 voltage
T3	Test point	HSD output channel 3 voltage
T4	Test point	HSD output channel 4 voltage

Table 6. IFP006V1 demonstration board bill of material (continued)

Designator	Part type	Description
T5	Test point	HSD input channel 1 signal
T6	Test point	HSD input channel 2 signal
T7	Test point	HSD input channel 3 signal
T8	Test point	HSD input channel 4 signal
T9	Test point	HSD channel 1 status
T10	Test point	HSD channel 2 status
T11	Test point	HSD channel 3 status
T12	Test point	HSD channel 4 status

Appendix B PCB layout

Figure 15. IFP006V1 component layer

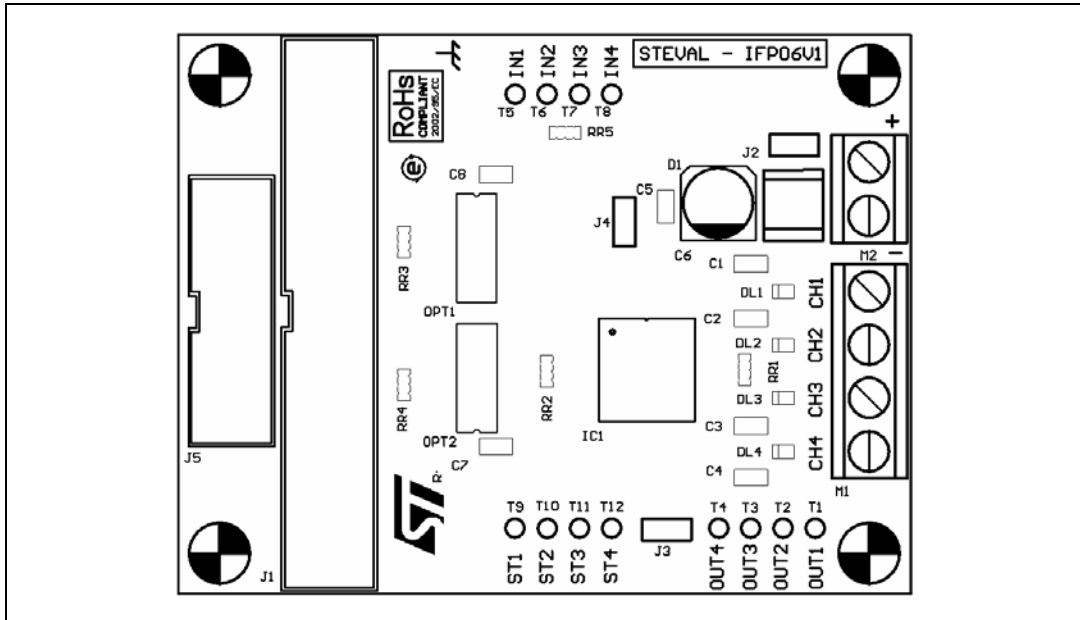


Figure 16. IFP006V1 copper top layer

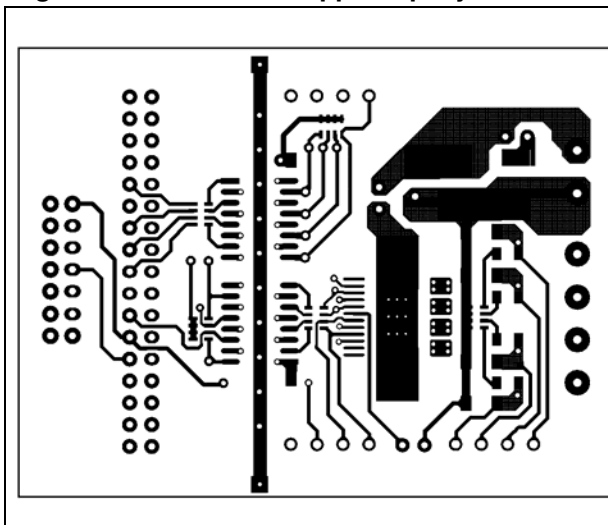
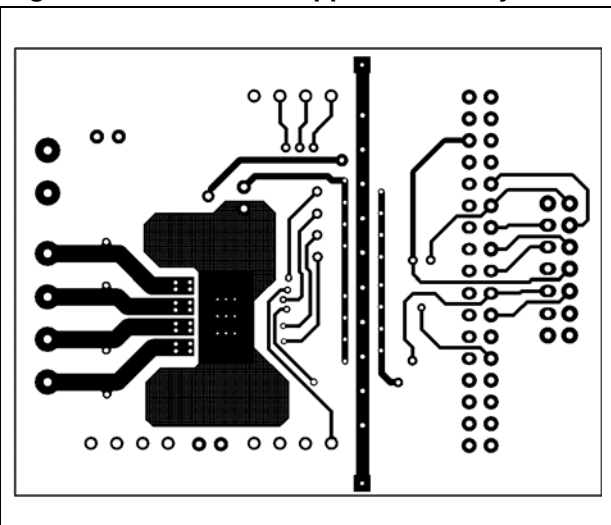


Figure 17. IFP006V1 copper bottom layer



Appendix C References

1. AN1351 - VIPower and BCDmultipower: making life easier with ST's high side drivers

Revision history

Table 7. Document revision history

Date	Revision	Changes
20-May-2009	1	Initial release

Please Read Carefully:

Information in this document is provided solely in connection with ST products. STMicroelectronics NV and its subsidiaries ("ST") reserve the right to make changes, corrections, modifications or improvements, to this document, and the products and services described herein at any time, without notice.

All ST products are sold pursuant to ST's terms and conditions of sale.

Purchasers are solely responsible for the choice, selection and use of the ST products and services described herein, and ST assumes no liability whatsoever relating to the choice, selection or use of the ST products and services described herein.

No license, express or implied, by estoppel or otherwise, to any intellectual property rights is granted under this document. If any part of this document refers to any third party products or services it shall not be deemed a license grant by ST for the use of such third party products or services, or any intellectual property contained therein or considered as a warranty covering the use in any manner whatsoever of such third party products or services or any intellectual property contained therein.

UNLESS OTHERWISE SET FORTH IN ST'S TERMS AND CONDITIONS OF SALE ST DISCLAIMS ANY EXPRESS OR IMPLIED WARRANTY WITH RESPECT TO THE USE AND/OR SALE OF ST PRODUCTS INCLUDING WITHOUT LIMITATION IMPLIED WARRANTIES OF MERCHANTABILITY, FITNESS FOR A PARTICULAR PURPOSE (AND THEIR EQUIVALENTS UNDER THE LAWS OF ANY JURISDICTION), OR INFRINGEMENT OF ANY PATENT, COPYRIGHT OR OTHER INTELLECTUAL PROPERTY RIGHT.

UNLESS EXPRESSLY APPROVED IN WRITING BY AN AUTHORIZED ST REPRESENTATIVE, ST PRODUCTS ARE NOT RECOMMENDED, AUTHORIZED OR WARRANTED FOR USE IN MILITARY, AIR CRAFT, SPACE, LIFE SAVING, OR LIFE SUSTAINING APPLICATIONS, NOR IN PRODUCTS OR SYSTEMS WHERE FAILURE OR MALFUNCTION MAY RESULT IN PERSONAL INJURY, DEATH, OR SEVERE PROPERTY OR ENVIRONMENTAL DAMAGE. ST PRODUCTS WHICH ARE NOT SPECIFIED AS "AUTOMOTIVE GRADE" MAY ONLY BE USED IN AUTOMOTIVE APPLICATIONS AT USER'S OWN RISK.

Resale of ST products with provisions different from the statements and/or technical features set forth in this document shall immediately void any warranty granted by ST for the ST product or service described herein and shall not create or extend in any manner whatsoever, any liability of ST.

ST and the ST logo are trademarks or registered trademarks of ST in various countries.

Information in this document supersedes and replaces all information previously supplied.

The ST logo is a registered trademark of STMicroelectronics. All other names are the property of their respective owners.

© 2009 STMicroelectronics - All rights reserved

STMicroelectronics group of companies

Australia - Belgium - Brazil - Canada - China - Czech Republic - Finland - France - Germany - Hong Kong - India - Israel - Italy - Japan - Malaysia - Malta - Morocco - Philippines - Singapore - Spain - Sweden - Switzerland - United Kingdom - United States of America

www.st.com



X-ON Electronics

Largest Supplier of Electrical and Electronic Components

Click to view similar products for [Other Development Tools](#) category:

Click to view products by [STMicroelectronics](#) manufacturer:

Other Similar products are found below :

[DS100BR410EVK-4/NOPB](#) [BK0004](#) [BK0012](#) [SN65MLVD2-3EVM](#) [DS80EP100-EVK](#) [MAX9684EVKIT#](#) [MAX4952AEVKIT+](#) [ESD-EVM-001](#) [MAX14842EVKIT+](#) [EVAL01-HMC749LC3C](#) [410-320](#) [TPD6F002-Q1EVM](#) [TS9002DB](#) [DS80PCI800EVK/NOPB](#) [118777-HMC722LC3C](#) [118777-HMC723LC3C](#) [118777-HMC678LC3C](#) [DC1765A-A](#) [125614-HMC851LC3C](#) [TPD1E05U06DPYEVM](#) [SN65LVDM31-32BEVM](#) [DC2062A-A](#) [NB4N855SMEVB](#) [LMH6321MR-EVAL/NOPB](#) [EVAL01-HMC747LC3C](#) [4537](#) [DK-M3F-1.8-TRK-1.5-S](#) [DK-M3-FS-1.8-1.5-M12/16](#) [DK-M3L-1.8-TRK-6.0-S](#) [DK-M3-LS-1.8-6](#) [ADALM1000](#) [ADALP2000](#) [EVAL-CN0202-SDPZ](#) [EVAL-CN0203-SDPZ](#) [EVAL-CN0204-SDPZ](#) [EVAL-CN0209-SDPZ](#) [EVAL-CN0225-SDPZ](#) [EVAL-CN0229-SDPZ](#) [EVAL-CN0251-SDPZ](#) [EVAL-CN0272-SDPZ](#) [EVAL-CN0301-SDPZ](#) [EVAL-CN0325-SDPZ](#) [EVAL-CN0355-PMDZ](#) [EVAL-CN0364-SDPZ](#) [EVAL-SDP-CB1Z](#) [DS1964SEVKIT#](#) [MAX14611EVKIT#](#) [MAX22088EVKIT#](#) [MAX4951AEEVKIT+](#) [MAXREFDES60#](#)