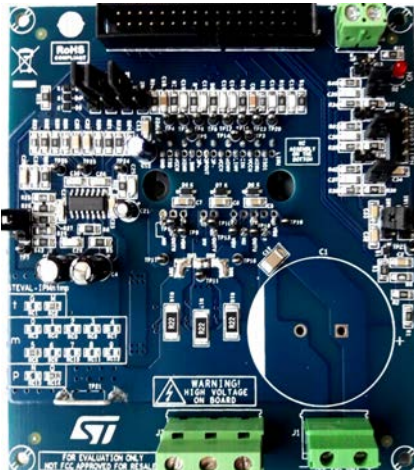


## 300 W motor control power board based on STIPQ3M60T-H SLLIMM™-nano 2nd series MOSFET IPM



### Features

- Input voltage: from 125 to 400 V<sub>DC</sub>
- Nominal power: up to 300 W
  - Allowable maximum power is related to the application conditions and cooling system
- Nominal current: up to 1.1 Arms
- Input auxiliary voltage: up to 20 VDC
- Single- or three-shunt resistors for current sensing (with sensing network)
- Three options for current sensing: dedicated external op-amps, internal SLLIMM-nano op-amp (single) or via MCU
- Overcurrent hardware protection
- IPM temperature monitoring and protection
- Hall sensor or encoder input
- MOSFETs intelligent power module:
  - SLLIMM-nano 2nd series IPM (STIPQ3M60T-H) - Full molded package
- Motor control connector (32 pins) interfacing with ST MCU boards
- Universal design for further evaluation with breadboard and testing pins
- Very compact size
- WEEE compliant
- RoHS compliant

Product summary	
300 W motor control power board based on STIPQ3M60T-H SLLIMM™-nano 2nd series MOSFET IPM	STEVAL-IPMNM3Q
SLLIMM-nano 2nd series IPM, 3-phase inverter, 3 A, 1.6 Ω max., 600 V N-channel MDmesh DM2	STIPQ3M60T-HZ/ STIPQ3M60T-HL
Featured technologies	STPOWER SLLIMM
Development environments	STM32 MCSDK STSW- POWERSTUDIO
Applications	PMSM / BLDC Motor 3-phase Induction Motor (ACIM)

### Description

The STEVAL-IPMNM3Q is a compact motor drive power board equipped with the STIPQ3M60T-HZ (or STIPQ3M60T-HL) SLLIMM-nano (small low-loss intelligent molded module) 2nd series based on N-channel Power MOSFET MDmesh™ DM2 fast-recovery diode. It provides an affordable and easy-to-use solution for driving high power motors in a wide range of applications such as power white goods, air conditioning, compressors, power fans and 3-phase inverters for motor drives in general.

The IPM consists of six MOSFETs, three high voltage half-bridge gate driver ICs and a wide range of features like undervoltage lockout, smart shutdown, internal temperature sensor and NTC, overcurrent protection and internal op-amp.

The main characteristics of this evaluation board are small size, minimal BOM and high efficiency. It features an interface circuit (BUS and V<sub>CC</sub> connectors), bootstrap capacitors, snubber capacitor, hardware short-circuit protection, fault event signal and temperature monitoring. It is designed to work in single- or three-shunt configuration and with three current sensing options: three dedicated on-board op-amps, op-amps available on a connected microcontroller, or the single op-amp embedded in the power module. A Hall/Encoder section completes the circuit.

The system is designed to achieve accurate and fast conditioning of current feedback to satisfy the typical requirements for field oriented control (FOC).

The STEVAL-IPMNM3Q is compatible with ST control boards based on STM32 microcontrollers, providing a complete platform for motor control.

# 1 Schematics

Figure 1. STEVAL-IPMNM3Q board schematic (1 of 5)

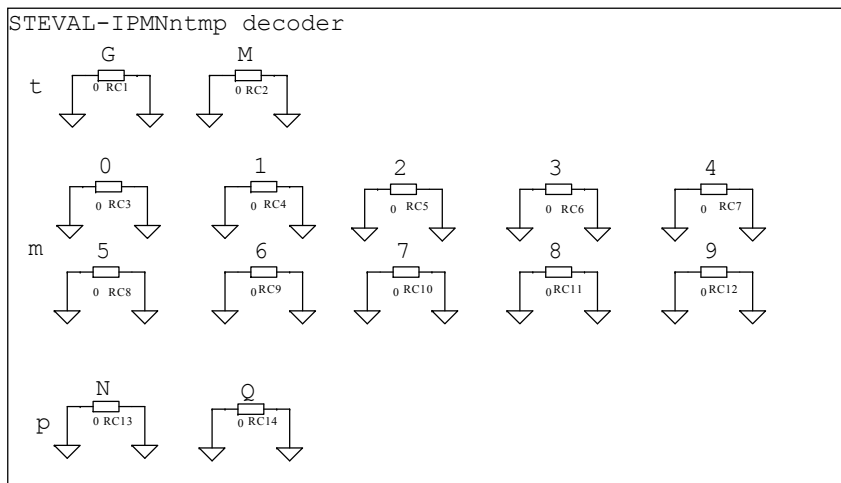
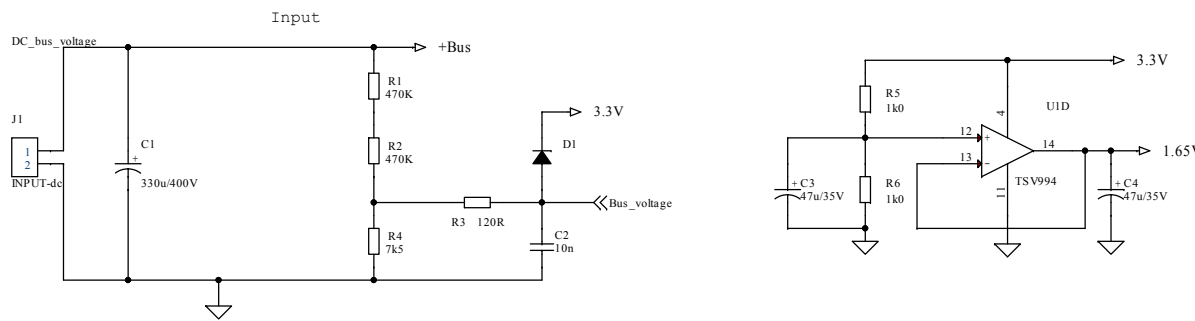


Figure 2. STEVAL-IPMNM3Q board schematic (2 of 5)

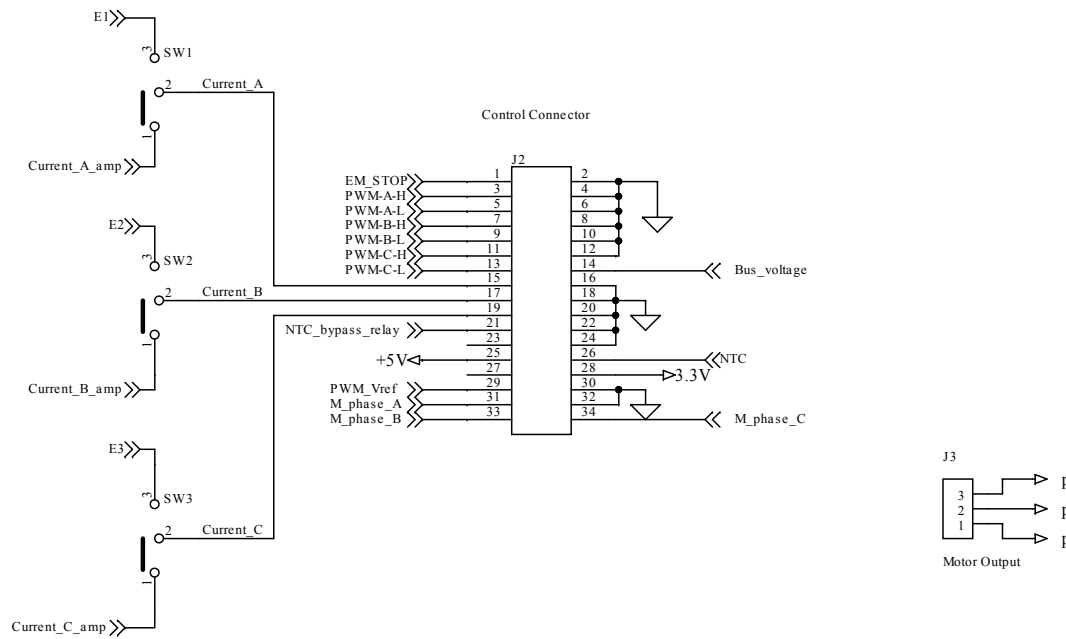


Figure 3. STEVAL-IPMNM3Q board schematic (3 of 5)

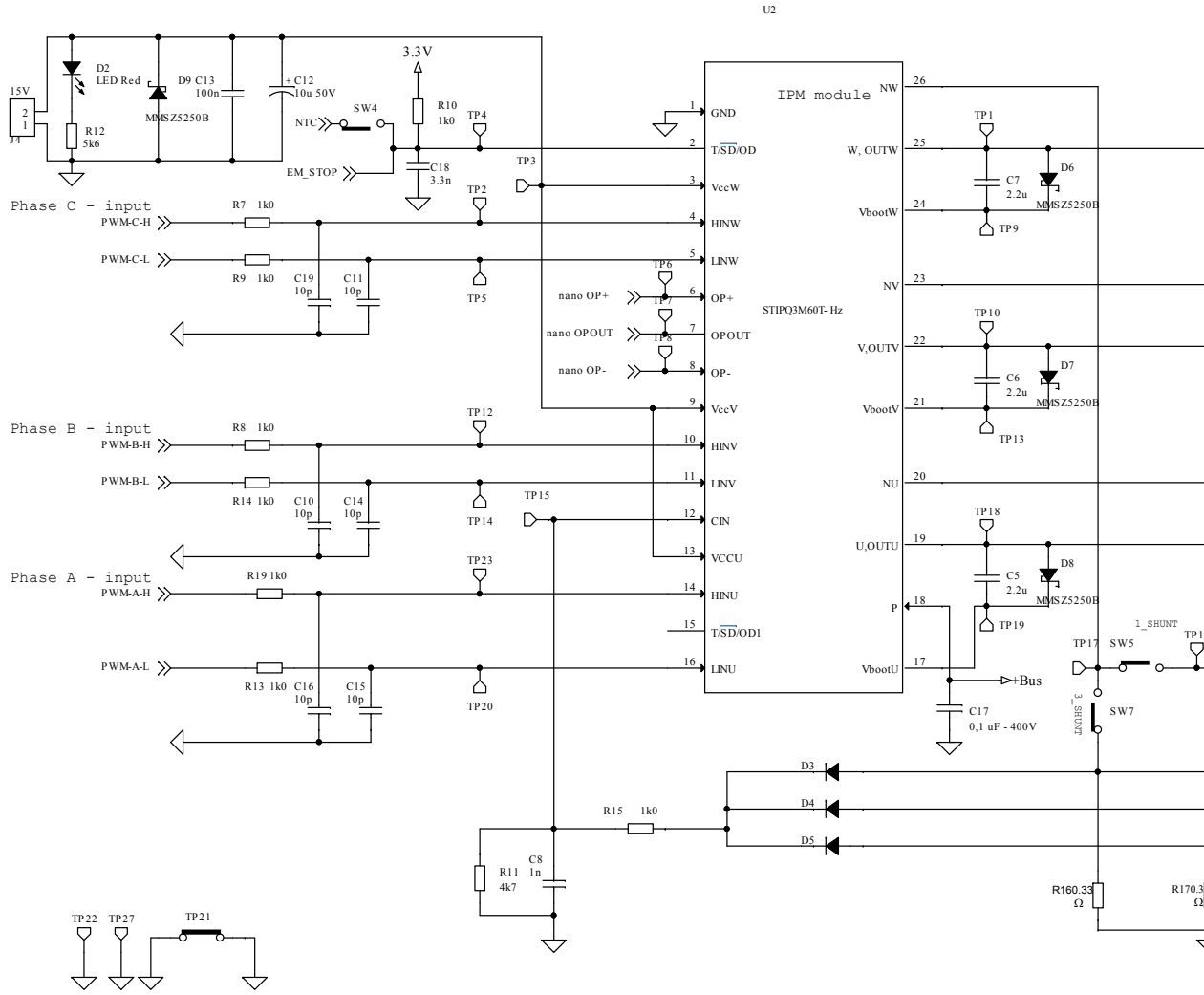


Figure 4. STEVAL-IPMNM3Q board schematic (4 of 5)

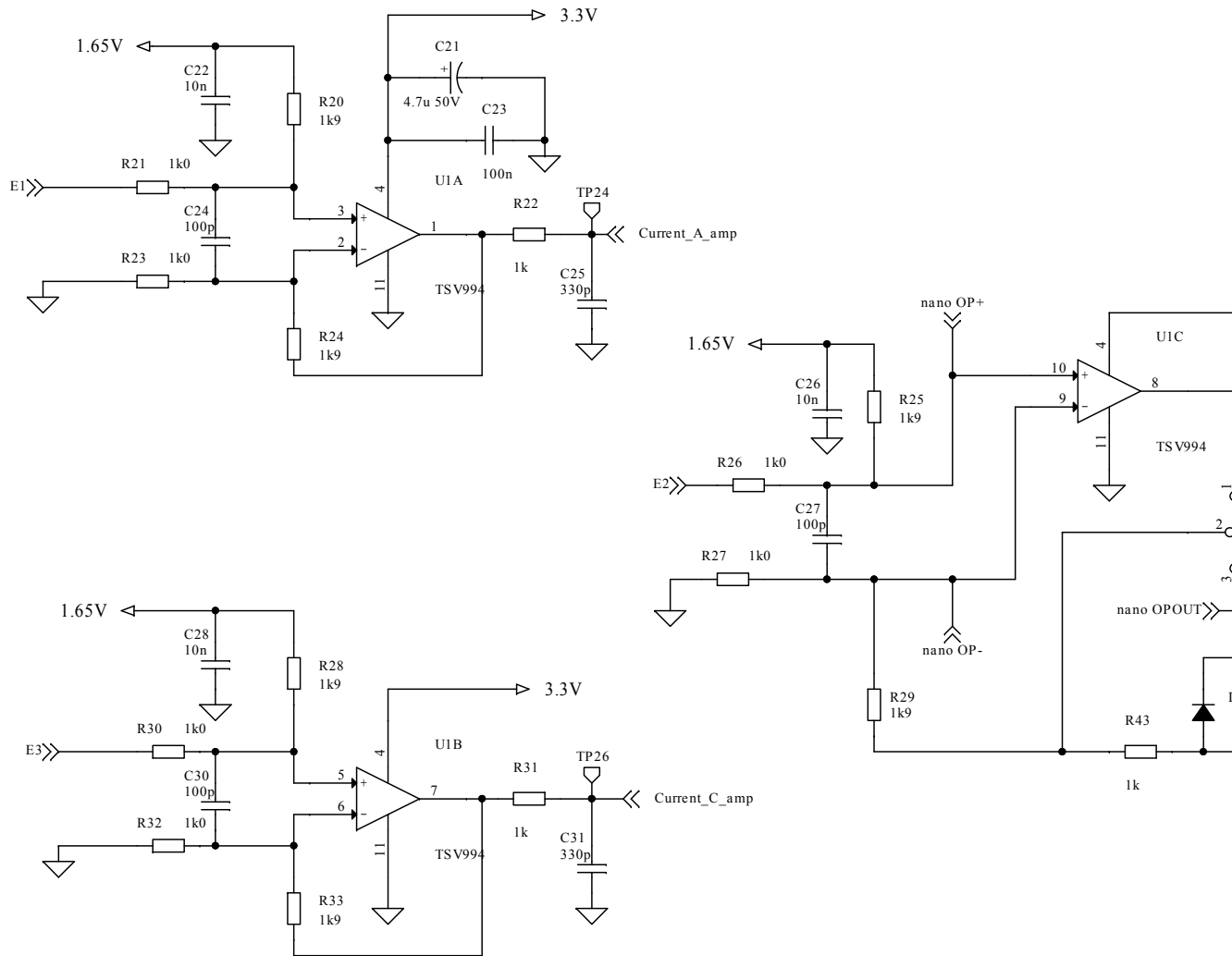
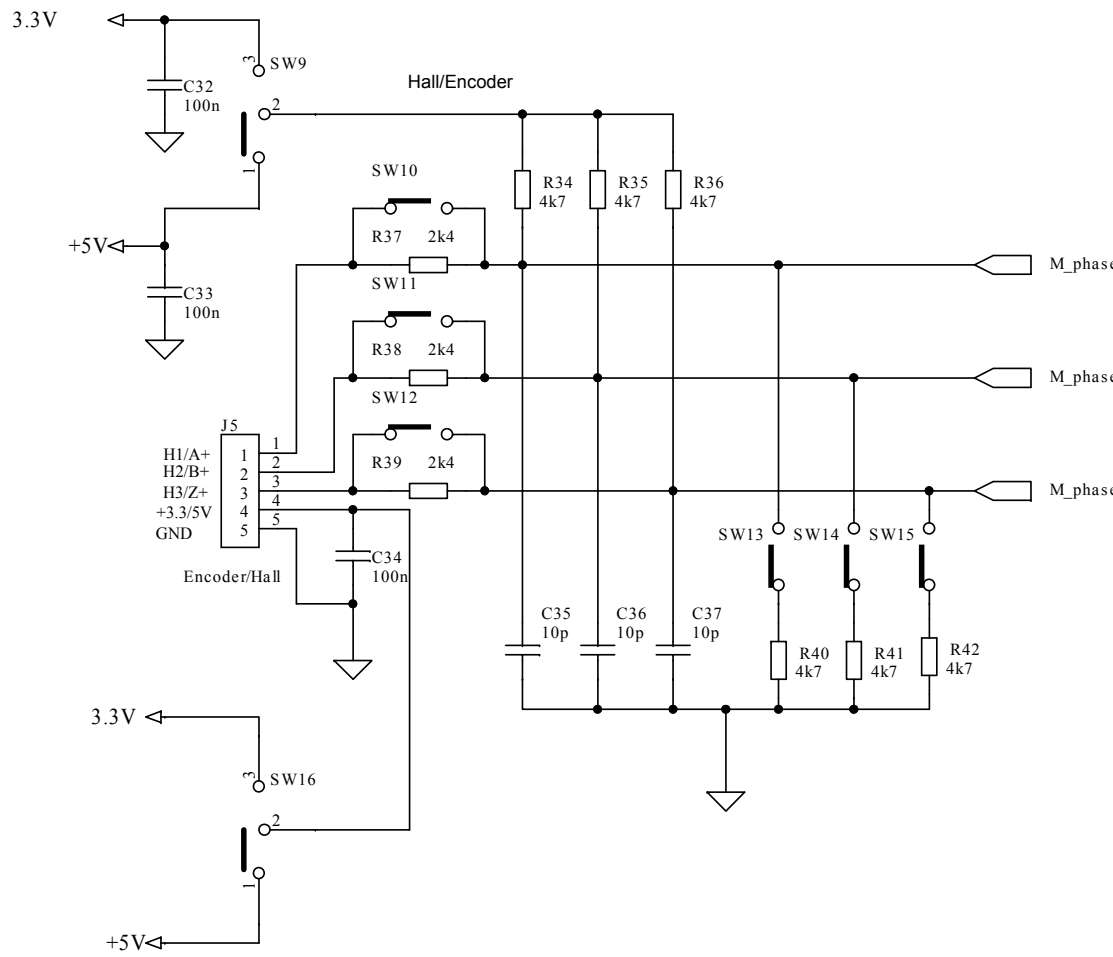


Figure 5. STEVAL-IPMNM3Q board schematic (5 of 5)



## Revision history

**Table 1. Document revision history**

Date	Version	Changes
30-Apr-2020	1	Initial release.

**IMPORTANT NOTICE – PLEASE READ CAREFULLY**

STMicroelectronics NV and its subsidiaries (“ST”) reserve the right to make changes, corrections, enhancements, modifications, and improvements to ST products and/or to this document at any time without notice. Purchasers should obtain the latest relevant information on ST products before placing orders. ST products are sold pursuant to ST’s terms and conditions of sale in place at the time of order acknowledgement.

Purchasers are solely responsible for the choice, selection, and use of ST products and ST assumes no liability for application assistance or the design of Purchasers’ products.

No license, express or implied, to any intellectual property right is granted by ST herein.

Resale of ST products with provisions different from the information set forth herein shall void any warranty granted by ST for such product.

ST and the ST logo are trademarks of ST. For additional information about ST trademarks, please refer to [www.st.com/trademarks](http://www.st.com/trademarks). All other product or service names are the property of their respective owners.

Information in this document supersedes and replaces information previously supplied in any prior versions of this document.

© 2020 STMicroelectronics – All rights reserved



## X-ON Electronics

Largest Supplier of Electrical and Electronic Components

*Click to view similar products for* [Power Management IC Development Tools](#) *category:*

*Click to view products by* [STMicroelectronics](#) *manufacturer:*

Other Similar products are found below :

[EVAL-ADM1168LQEBZ](#) [EVB-EP5348UI](#) [MIC23451-AAAYFL EV](#) [MIC5281YMME EV](#) [DA9063-EVAL](#) [ADP122-3.3-EVALZ](#) [ADP130-0.8-EVALZ](#) [ADP130-1.2-EVALZ](#) [ADP130-1.5-EVALZ](#) [ADP130-1.8-EVALZ](#) [ADP1714-3.3-EVALZ](#) [ADP1716-2.5-EVALZ](#) [ADP1740-1.5-EVALZ](#) [ADP1752-1.5-EVALZ](#) [ADP1828LC-EVALZ](#) [ADP1870-0.3-EVALZ](#) [ADP1871-0.6-EVALZ](#) [ADP1873-0.6-EVALZ](#) [ADP1874-0.3-EVALZ](#) [ADP1882-1.0-EVALZ](#) [ADP199CB-EVALZ](#) [ADP2102-1.25-EVALZ](#) [ADP2102-1.875EVALZ](#) [ADP2102-1.8-EVALZ](#) [ADP2102-2-EVALZ](#) [ADP2102-3-EVALZ](#) [ADP2102-4-EVALZ](#) [ADP2106-1.8-EVALZ](#) [ADP2147CB-110EVALZ](#) [AS3606-DB](#) [BQ24010EVM](#) [BQ24075TEVM](#) [BQ24155EVM](#) [BQ24157EVM-697](#) [BQ24160EVM-742](#) [BQ24296MEVM-655](#) [BQ25010EVM](#) [BQ3055EVM](#) [NCV891330PD50GEVB](#) [ISLUSBI2CKIT1Z](#) [LM2744EVAL](#) [LM2854EVAL](#) [LM3658SD-AEV/NOPB](#) [LM3658SDEV/NOPB](#) [LM3691TL-1.8EV/NOPB](#) [LM4510SDEV/NOPB](#) [LM5033SD-EVAL](#) [LP38512TS-1.8EV](#) [EVAL-ADM1186-1MBZ](#) [EVAL-ADM1186-2MBZ](#)