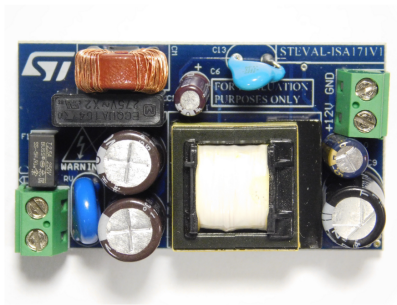


## 12 V - 15 W quasi resonant flyback converter based on the VIPER35HD



### Features

- Wide input voltage range: 90 V<sub>AC</sub> to 264 V<sub>AC</sub>
- Output voltage: 12 V
- Output current: 1.25 A
- Rated output power: 15 W
- Quasi resonant operation
- Input power standby @ 230 V<sub>AC</sub>: < 30 mW
- Active mode efficiency: > 82%
- EMI: pre-compliance with EN55022-Class-B
- RoHS compliant

### Description

The STEVAL-ISA171V1 implements a 15 W power supply designed in quasi resonant flyback topology for a wide-range AC input voltage. Its key features are its small size and minimal bill of material, high efficiency and low standby consumption.

The core of the application is the VIPER35, the quasi-resonant offline high voltage converter from the VIPerPLUS product family.

The VIPER35 integrates an 800 V rugged power MOSFET with PWM current-mode control.

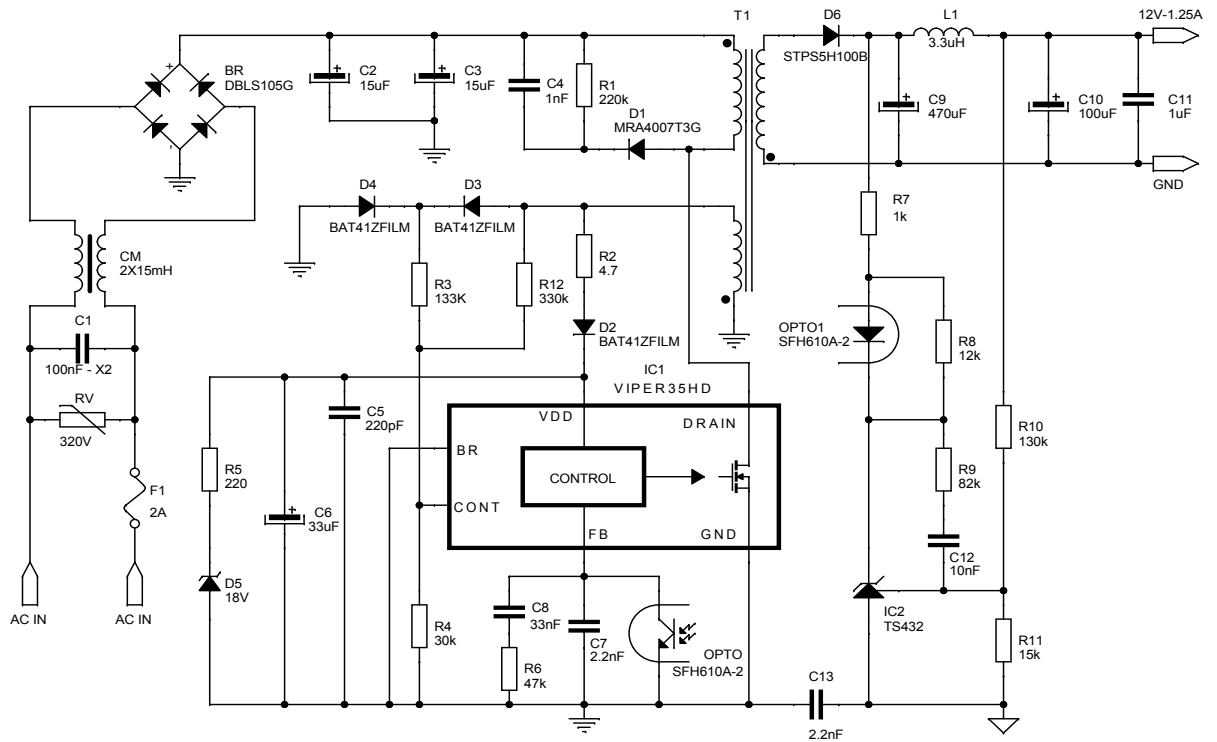
Extremely low consumption under no-load conditions is ensured thanks to burst mode operation that reduces the average switching frequency and minimizes all frequency-related losses.

The VIPER35 operates in quasi resonant mode, a feature that helps to meet the EMI standards.

Product summary	
STEVAL-ISA171V1 - 12 V - 15 W quasi resonant flyback converter based on the VIPER35HD	STEVAL-ISA171V1
VIPER35 - VIPerPlus family: Quasi-resonant high performance off line high voltage converter	VIPER35HD

# 1 Schematic diagrams

Figure 1. STEVAL-ISA171V1 circuit schematic



## Revision history

**Table 1. Document revision history**

Date	Version	Changes
06-Nov-2015	1	Initial release.
19-Sep-2019	2	Updated <a href="#">Figure 1. STEVAL-ISA171V1 circuit schematic</a>

**IMPORTANT NOTICE – PLEASE READ CAREFULLY**

STMicroelectronics NV and its subsidiaries (“ST”) reserve the right to make changes, corrections, enhancements, modifications, and improvements to ST products and/or to this document at any time without notice. Purchasers should obtain the latest relevant information on ST products before placing orders. ST products are sold pursuant to ST’s terms and conditions of sale in place at the time of order acknowledgement.

Purchasers are solely responsible for the choice, selection, and use of ST products and ST assumes no liability for application assistance or the design of Purchasers’ products.

No license, express or implied, to any intellectual property right is granted by ST herein.

Resale of ST products with provisions different from the information set forth herein shall void any warranty granted by ST for such product.

ST and the ST logo are trademarks of ST. For additional information about ST trademarks, please refer to [www.st.com/trademarks](http://www.st.com/trademarks). All other product or service names are the property of their respective owners.

Information in this document supersedes and replaces information previously supplied in any prior versions of this document.

© 2019 STMicroelectronics – All rights reserved

## X-ON Electronics

Largest Supplier of Electrical and Electronic Components

*Click to view similar products for [Power Management IC Development Tools](#) category:*

*Click to view products by [STMicroelectronics](#) manufacturer:*

Other Similar products are found below :

[EVAL-ADM1168LQEBZ](#) [EVB-EP5348UI](#) [MIC23451-AAAYFL EV](#) [MIC5281YMME EV](#) [DA9063-EVAL](#) [ADP122-3.3-EVALZ](#) [ADP130-0.8-EVALZ](#) [ADP130-1.2-EVALZ](#) [ADP130-1.5-EVALZ](#) [ADP130-1.8-EVALZ](#) [ADP1714-3.3-EVALZ](#) [ADP1715-3.3-EVALZ](#) [ADP1716-2.5-EVALZ](#) [ADP1740-1.5-EVALZ](#) [ADP1752-1.5-EVALZ](#) [ADP1828LC-EVALZ](#) [ADP1870-0.3-EVALZ](#) [ADP1871-0.6-EVALZ](#) [ADP1873-0.6-EVALZ](#) [ADP1874-0.3-EVALZ](#) [ADP1882-1.0-EVALZ](#) [ADP199CB-EVALZ](#) [ADP2102-1.25-EVALZ](#) [ADP2102-1.875EVALZ](#) [ADP2102-1.8-EVALZ](#) [ADP2102-2-EVALZ](#) [ADP2102-3-EVALZ](#) [ADP2102-4-EVALZ](#) [ADP2106-1.8-EVALZ](#) [ADP2147CB-110EVALZ](#) [AS3606-DB](#) [BQ24010EVM](#) [BQ24075TEVM](#) [BQ24155EVM](#) [BQ24157EVM-697](#) [BQ24160EVM-742](#) [BQ24296MEVM-655](#) [BQ25010EVM](#) [BQ3055EVM](#) [NCV891330PD50GEVB](#) [ISLUSBI2CKIT1Z](#) [LM2744EVAL](#) [LM2854EVAL](#) [LM3658SD-AEV/NOPB](#) [LM3658SDEV/NOPB](#) [LM3691TL-1.8EV/NOPB](#) [LM4510SDEV/NOPB](#) [LM5033SD-EVAL](#) [LP38512TS-1.8EV](#) [EVAL-ADM1186-1MBZ](#)