

100 W, ultra-wide range flyback converter based on L6566BH



Features

- Wide input voltage range:
 - 230 to 690 V_{AC}
 - 250 to 1000 V_{DC}
- Output 24 V/100 W
- Short time undervoltage (long time for 50 W output) down to 150 V_{DC}/180 V_{AC}
- Selectable fixed-frequency or quasi-resonant operation
- Embedded 1 kV high voltage startup
- Modified soft-start circuit
- Optional brownout protection
- RoHS compliant

Description

The [STEVAL-ISA211V1](#) flyback converter is designed for industrial or photovoltaic sectors to be used as an auxiliary power supply.

The 24 V/100 W output with reinforced isolation can be used in several applications. The input voltage range starts from standard Europe voltage (230 V_{AC}) and ends at 690 V_{AC} or 1 kVDC. For short-time periods or lower output power, the converter can operate with voltage decreased down to 150 V_{DC}.

The [STEVAL-ISA211V1](#) is based on the [L6566BH](#) multi-mode controller and [STW12N170K5](#) 1700 V MDmesh K5 Power MOSFET, in one-switch Flyback topology with isolated output.

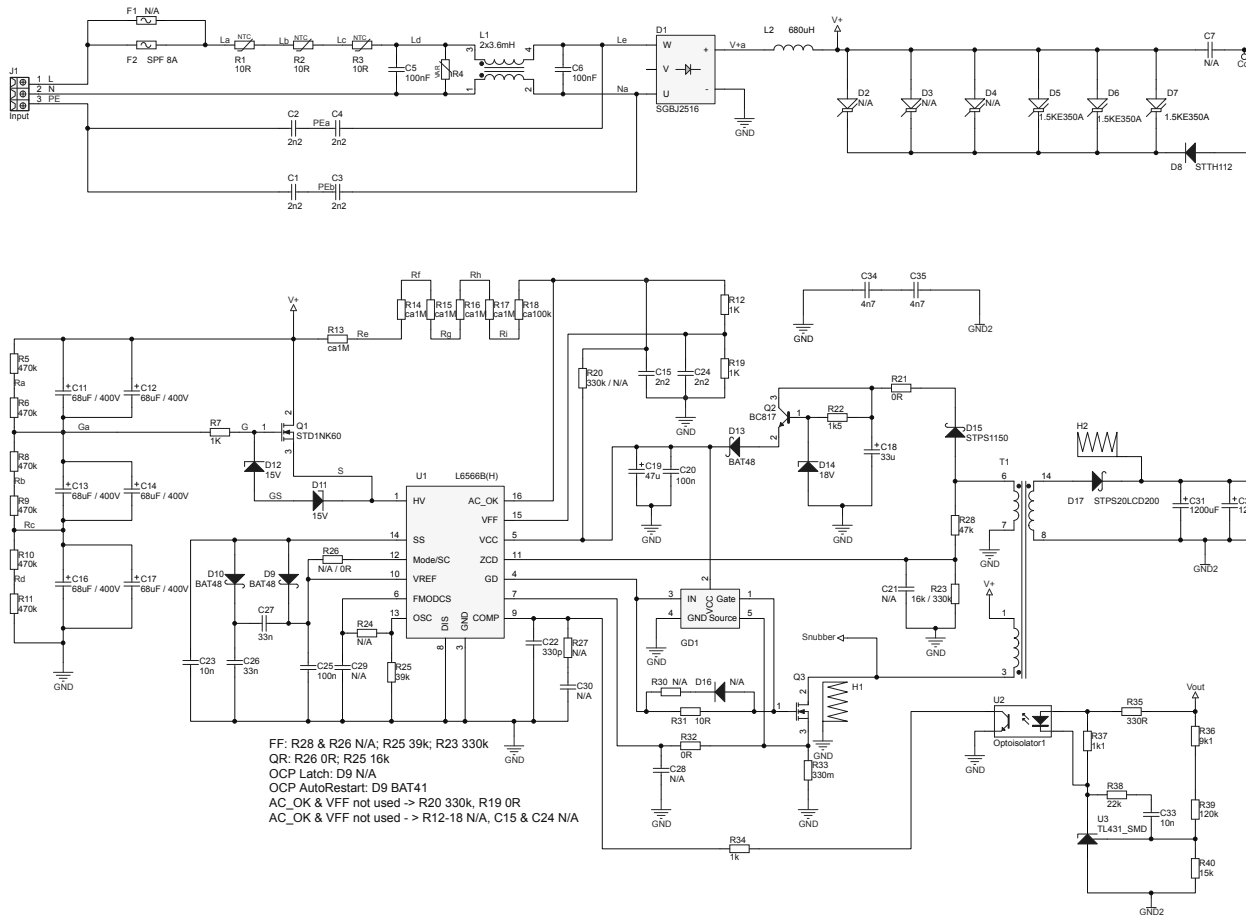
[L6566BH](#) integrates 840 V high voltage startup which is boosted by the [STD1NK60T4](#) Power MOSFET up to 1 kV.

The converter operates in fixed-frequency mode but it can be easily set to quasi-resonant mode by changing one resistor.

Product summary	
100 W, ultra-wide range flyback converter based on L6566BH	STEVAL-ISA211V1
Multi-mode controller for SMPS	L6566BH
N-channel 1700 V, 2.3 Ohm typ., 5 A MDmesh K5 Power MOSFET	STW12N170K5
Applications	Auxiliary SMPS Industrial Power Supply

1 Schematic diagrams

Figure 1. STEVAL-ISA211V1 circuit schematic



Revision history

Table 1. Document revision history

Date	Version	Changes
11-Dec-2020	1	Initial release.

IMPORTANT NOTICE – PLEASE READ CAREFULLY

STMicroelectronics NV and its subsidiaries (“ST”) reserve the right to make changes, corrections, enhancements, modifications, and improvements to ST products and/or to this document at any time without notice. Purchasers should obtain the latest relevant information on ST products before placing orders. ST products are sold pursuant to ST’s terms and conditions of sale in place at the time of order acknowledgement.

Purchasers are solely responsible for the choice, selection, and use of ST products and ST assumes no liability for application assistance or the design of Purchasers’ products.

No license, express or implied, to any intellectual property right is granted by ST herein.

Resale of ST products with provisions different from the information set forth herein shall void any warranty granted by ST for such product.

ST and the ST logo are trademarks of ST. For additional information about ST trademarks, please refer to www.st.com/trademarks. All other product or service names are the property of their respective owners.

Information in this document supersedes and replaces information previously supplied in any prior versions of this document.

© 2020 STMicroelectronics – All rights reserved

X-ON Electronics

Largest Supplier of Electrical and Electronic Components

Click to view similar products for [Power Management IC Development Tools](#) category:

Click to view products by [STMicroelectronics](#) manufacturer:

Other Similar products are found below :

[EVAL-ADM1168LQEBZ](#) [EVB-EP5348UI](#) [MIC23451-AAAYFL EV](#) [MIC5281YMME EV](#) [DA9063-EVAL](#) [ADP122-3.3-EVALZ](#) [ADP130-0.8-EVALZ](#) [ADP130-1.2-EVALZ](#) [ADP130-1.5-EVALZ](#) [ADP130-1.8-EVALZ](#) [ADP1714-3.3-EVALZ](#) [ADP1715-3.3-EVALZ](#) [ADP1716-2.5-EVALZ](#) [ADP1740-1.5-EVALZ](#) [ADP1752-1.5-EVALZ](#) [ADP1828LC-EVALZ](#) [ADP1870-0.3-EVALZ](#) [ADP1871-0.6-EVALZ](#) [ADP1873-0.6-EVALZ](#) [ADP1874-0.3-EVALZ](#) [ADP1882-1.0-EVALZ](#) [ADP199CB-EVALZ](#) [ADP2102-1.25-EVALZ](#) [ADP2102-1.875EVALZ](#) [ADP2102-1.8-EVALZ](#) [ADP2102-2-EVALZ](#) [ADP2102-3-EVALZ](#) [ADP2102-4-EVALZ](#) [ADP2106-1.8-EVALZ](#) [ADP2147CB-110EVALZ](#) [AS3606-DB](#) [BQ24010EVM](#) [BQ24075TEVM](#) [BQ24155EVM](#) [BQ24157EVM-697](#) [BQ24160EVM-742](#) [BQ24296MEVM-655](#) [BQ25010EVM](#) [BQ3055EVM](#) [NCV891330PD50GEVB](#) [ISLUSBI2CKIT1Z](#) [LM2744EVAL](#) [LM2854EVAL](#) [LM3658SD-AEV/NOPB](#) [LM3658SDEV/NOPB](#) [LM3691TL-1.8EV/NOPB](#) [LM4510SDEV/NOPB](#) [LM5033SD-EVAL](#) [LP38512TS-1.8EV](#) [EVAL-ADM1186-1MBZ](#)