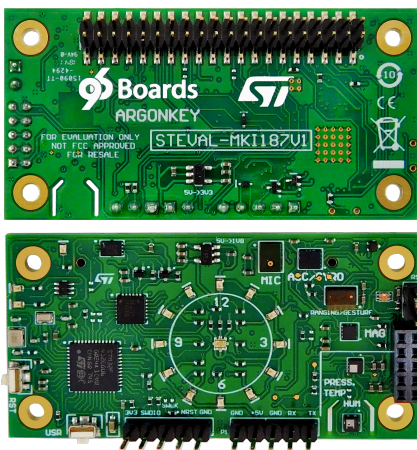


ArgonKey mezzanine board based on different ST sensors

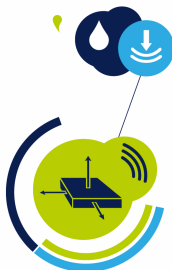


Features

- The following ST MEMS sensors are mounted:
 - LSM6DSL 6-axis inertial module
 - LIS2MDL Magnetic sensor
 - LPS22HB Pressure sensor
 - HTS221 Humidity and Temperature sensor
 - MP34DT05-AMicrophone
- VL53L0X gesture detector
- Based on STM32F412C microcontroller

Description

The STEVAL-MKI187V1 is a mezzanine board (also referred to as 96Boards Argonkey) designed according to the Linaro specification. The board acts as a sensor hub platform for all 96Boards compliant products. The board can be used as a standalone board or connected to the HiKey (LeMaker) board from 96Boards. The board has two buttons (Reset and user) and several LEDs that are appropriately positioned for IoT hardware applications.



Product summary

ArgonKey mezzanine board based on different ST sensors [STEVAL-MKI187V1](#)

iNEMO inertial module, 3-axis accelerometer, 3-axis gyroscope, always-on, smart FIFO buffer, free-fall, wakeup, 6D/4D orientation, I2C, SPI [LSM6DSL](#)

Magnetic sensor, digital output, 50 gauss magnetic field dynamic range, ultra-low power high performance 3-axis magnetometer [LIS2MDL](#)

Magnetic sensor, digital output, 50 gauss magnetic field dynamic range, ultra-low power high performance 3-axis magnetometer [LPS22HB](#)

Capacitive digital sensor for relative humidity and temperature [HTS221](#)

MEMS audio sensor omnidirectional digital microphone, 64 dB SNR, -26 dBFS sensitivity, top-port, 122.5 dB SPL AOP [MP34DT05-A](#)

World smallest Time-of-Flight (ToF) ranging sensor [VL53L0X](#)

1 Schematic diagrams

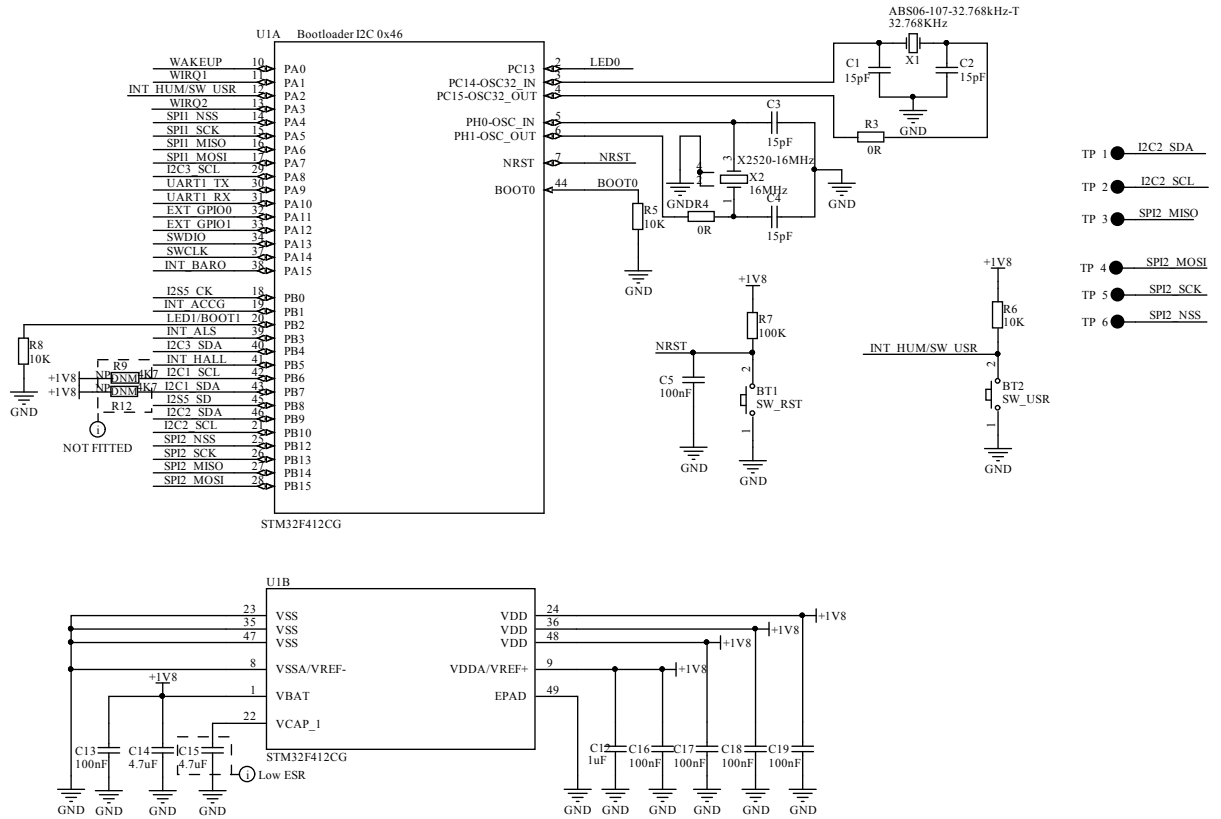
Figure 1. STEVAL-MKI187V1 - STM32 section


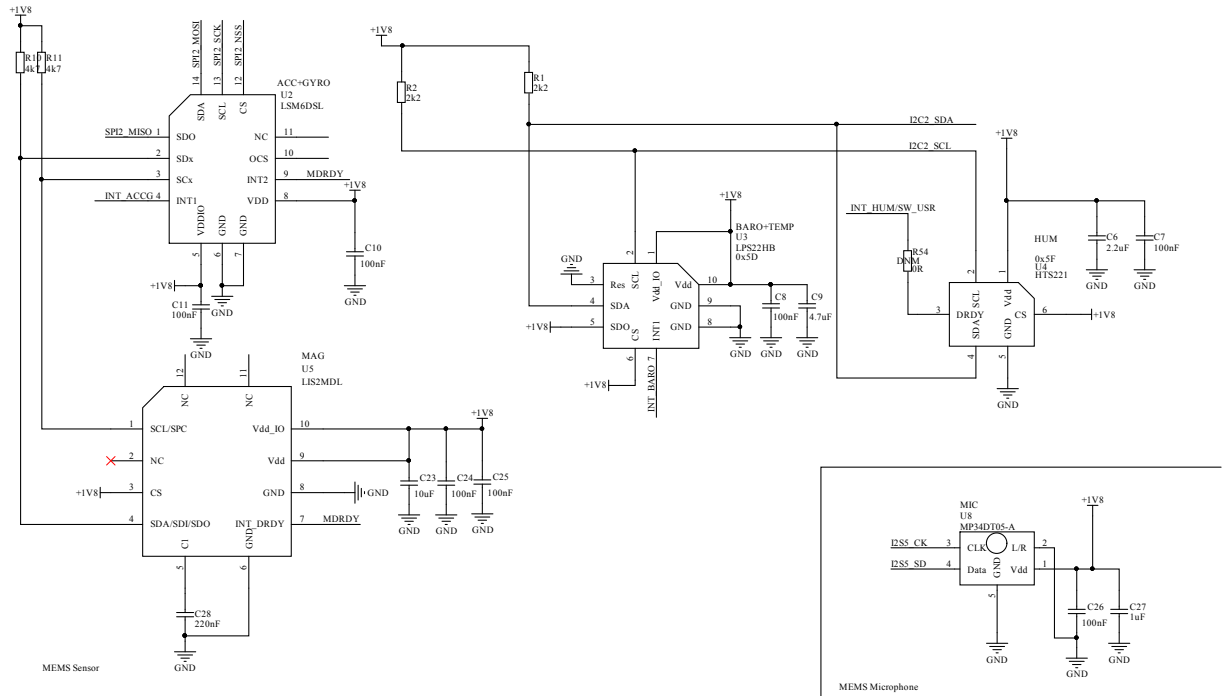
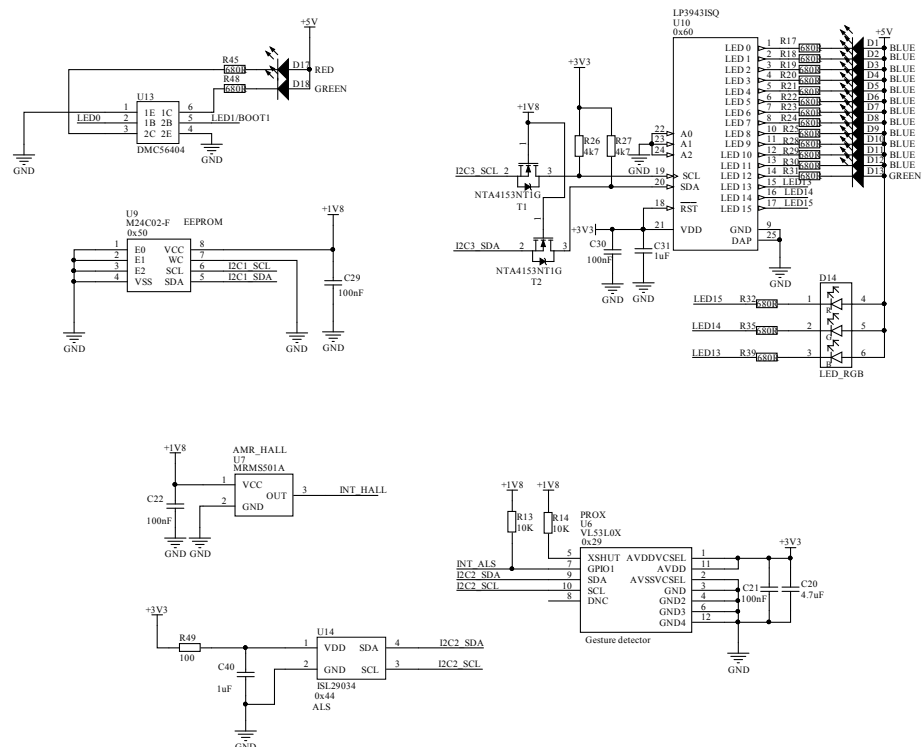
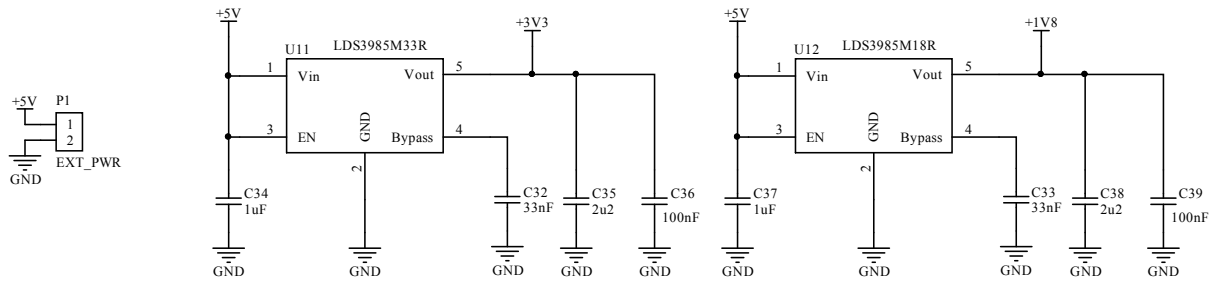
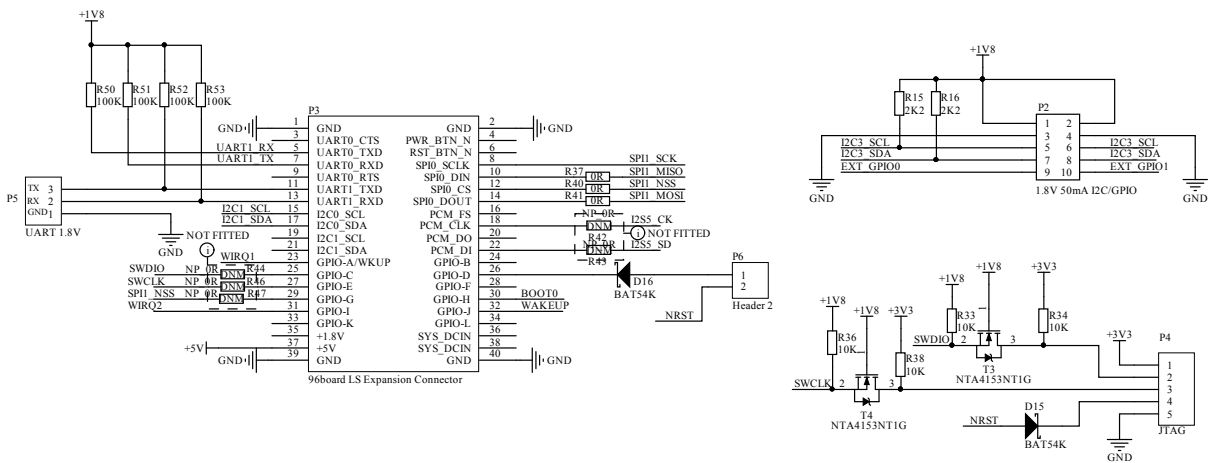
Figure 2. STEVAL-MKI187V1 - MEMS sensor and microphone

Figure 3. STEVAL-MKI187V1 - board schematic


Figure 4. STEVAL-MKI187V1 - power supply section

Figure 5. STEVAL-MKI187V1 - connector section


Revision history

Table 1. Document revision history

Date	Version	Changes
13-Feb-2019	1	Initial release.

IMPORTANT NOTICE – PLEASE READ CAREFULLY

STMicroelectronics NV and its subsidiaries (“ST”) reserve the right to make changes, corrections, enhancements, modifications, and improvements to ST products and/or to this document at any time without notice. Purchasers should obtain the latest relevant information on ST products before placing orders. ST products are sold pursuant to ST’s terms and conditions of sale in place at the time of order acknowledgement.

Purchasers are solely responsible for the choice, selection, and use of ST products and ST assumes no liability for application assistance or the design of Purchasers’ products.

No license, express or implied, to any intellectual property right is granted by ST herein.

Resale of ST products with provisions different from the information set forth herein shall void any warranty granted by ST for such product.

ST and the ST logo are trademarks of ST. All other product or service names are the property of their respective owners.

Information in this document supersedes and replaces information previously supplied in any prior versions of this document.

© 2019 STMicroelectronics – All rights reserved

X-ON Electronics

Largest Supplier of Electrical and Electronic Components

Click to view similar products for [Multiple Function Sensor Development Tools](#) category:

Click to view products by [STMicroelectronics](#) manufacturer:

Other Similar products are found below :

[MAXWSNENV#](#) [STEVAL-MKIT01V1](#) [KT-O2-25%-TB200A-E](#) [KT-TVOC-200-TB200A](#) [KT-NmHc-200-TB200A](#) [SEN0344](#) [PIM520](#)
[PIM518](#) [PIM519](#) [PIM502](#) [EVAL-AD7746HDZ](#) [AS7022-EVALKIT](#) [ALTEHTG2SMIP](#) [MAX30101WING#](#) [OB1203SD-U-EVK](#) [MIKROE-](#)
[4265](#) [A000070](#) [EV_ICG-20660L](#) [GX-F12A](#) [GX-F12A-P](#) [GX-F15A](#) [GX-F6A](#) [GX-F8AI-P](#) [GX-H15AI-P](#) [GX-H6A-P](#) [GX-HL15B-P](#) [1093](#)
[MIKROE-2455](#) [MIKROE-2458](#) [MIKROE-2507](#) [MIKROE-2508](#) [MIKROE-2516](#) [MIKROE-2529](#) [1458](#) [MIKROE-1628](#) [176](#) [189](#) [1893](#) [2106](#)
[ATQT4-XPRO](#) [GP30-DEMO MODULE](#) [GX-F12AI-P](#) [GX-F15A-P](#) [GX-FL15B-P](#) [GX-H12AI-P](#) [GX-H15A-P](#) [GX-H6AI-P](#) [GX-H8A](#) [GX-](#)
[H8A-P](#) [GX-F15AI-P](#)