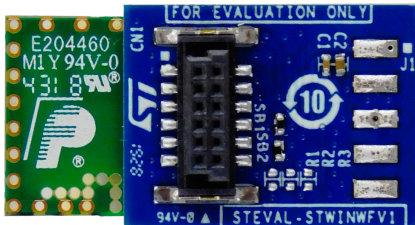


## Wi-Fi expansion for the SensorTile Wireless Industrial Node (STWIN) kit



### Features

- Wi-Fi adapter for [STEVAL-STWINKT1B](#) (and [STEVAL-STWINKT1](#))
- Plugs into STWIN core system board through dedicated 12-pin connector
- Single 3.3 V power supply input
- ISM43362-M3G-L44-E Wi-Fi module:
  - 802.11 b/g/n Compatible based on Broadcom MAC/Baseband/Radio device
  - Fully contained TCP/IP stack
  - Host interface: SPI up to 25 MHz
  - Network features ICMP ( Ping), ARP, DHCP,TCP, UDP
  - Low power operation (3.3 V supply) with built-in low power modes
  - Secure Wi-Fi authentication WEP-128, WPA-PSK (TKIP), WPA2-PSK
  - CE certified
  - FCC certified
  - IC certified
- RoHS and China RoHS compliant
- WEEE compliant

### Description

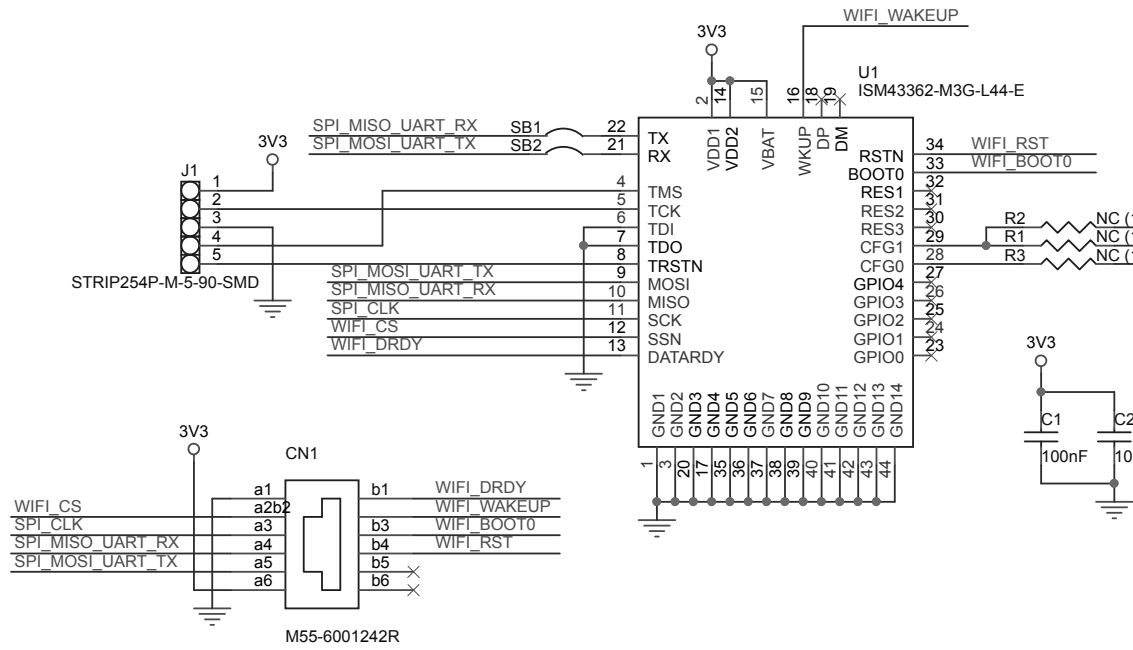
The STEVAL-STWINWFV1 expansion board adds 2.4 GHz Wi-Fi connectivity to the [STEVAL-STWINKT1B](#) (and [STEVAL-STWINKT1](#)).

Application examples that take advantage of this expansion board can be found in [STSW-STWINKT01](#) firmware package as well as in the [FP-IND-PREDMNT1](#) Predictive Maintenance Function Pack.

Product summary	
Wi-Fi expansion board for the STWIN development kit	<a href="#">STEVAL-STWINWFV1</a>
STWIN SensorTile Wireless Industrial Node development kit and reference design for industrial IoT applications	<a href="#">STEVAL-STWINKT1/</a> <a href="#">STEVAL-STWINKT1B</a>
Firmware for <a href="#">STEVAL-STWINKT1B</a> evaluation kit	<a href="#">STSW-STWINKT01</a>
Applications	Factory Automation Connectivity

# 1 Schematic diagrams

Figure 1. STEVAL-STWINWFV1 schematic



## Revision history

**Table 1. Document revision history**

Date	Version	Changes
29-Jul-2019	1	Initial release.
11-Jan-2021	2	Updated cover page features, description and product summary table.

**IMPORTANT NOTICE – PLEASE READ CAREFULLY**

STMicroelectronics NV and its subsidiaries (“ST”) reserve the right to make changes, corrections, enhancements, modifications, and improvements to ST products and/or to this document at any time without notice. Purchasers should obtain the latest relevant information on ST products before placing orders. ST products are sold pursuant to ST’s terms and conditions of sale in place at the time of order acknowledgement.

Purchasers are solely responsible for the choice, selection, and use of ST products and ST assumes no liability for application assistance or the design of Purchasers’ products.

No license, express or implied, to any intellectual property right is granted by ST herein.

Resale of ST products with provisions different from the information set forth herein shall void any warranty granted by ST for such product.

ST and the ST logo are trademarks of ST. For additional information about ST trademarks, please refer to [www.st.com/trademarks](http://www.st.com/trademarks). All other product or service names are the property of their respective owners.

Information in this document supersedes and replaces information previously supplied in any prior versions of this document.

© 2021 STMicroelectronics – All rights reserved

## X-ON Electronics

Largest Supplier of Electrical and Electronic Components

*Click to view similar products for [Position Sensor Development Tools](#) category:*

*Click to view products by [STMicroelectronics](#) manufacturer:*

Other Similar products are found below :

[AS5115 PB](#) [AS5215 AB](#) [STEVAL-MKI043V1](#) [EVB90340-LDC-200-Rev1.0](#) [STEVAL-STWINMAV1](#) [1032](#) [178](#) [DPP401Z000](#) [EVAL-ADXRS453Z-M](#) [EVAL-ADXRS453Z-V](#) [1007214-3](#) [STEVAL-MKI045V1](#) [STEVAL-MKI042V1](#) [STEVAL-MKI037V1](#) [IMX-070](#) [164](#) [EVAL-KIT DMU381ZA-400](#) [OpenIMU300RI EVK](#) [OpenIMU330BI EVK](#) [3595](#) [AS5161-EK-AB](#) [AS5200L-MF\\_EK\\_AB](#) [AS5215 DB](#) [AS5600L-SO\\_EK\\_AB](#) [AS5600L-WL\\_EK\\_AB](#) [AS5715-TS\\_EK\\_AB](#) [AS5X47D-TO\\_EK\\_ST](#) [TRK-1T02-E](#) [ADIS16265/PCBZ](#) [ADIS16260/PCBZ](#) [ADIS16477-1/PCBZ](#) [ADIS16477-3/PCBZ](#) [EVAL-ADIS2Z](#) [EVAL-ADXRS450Z-S](#) [EVAL-ADXRS453Z](#) [EVAL-ADXRS453Z-S](#) [EVAL-ADXRS646Z](#) [EVAL-ADXRS800Z-EY](#) [EVAL-ADXRS800Z-M](#) [EVAL-ADXRS800Z-RG](#) [EVAL-CN0341-SDPZ](#) [ATBNO055-XPRO](#) [DFR0027](#) [DFR0053](#) [DPP401A000](#) [EVB90365-Rev1.0](#) [EVB90371-GDC-100-Rev1.0](#) [EVB90371-GDC-200-Rev1.0](#) [EVB90371-GDC-300-Rev1.0](#) [EVB90371-GGO-100-Rev1.0](#)