

15 V / 100 mA high voltage buck converter reference design based on VIPER26K



Features

- Ultra-wide range: 90–600 V_{AC} or 60–870 V_{DC}
- Frequency: 50-60 Hz
- Output voltage: 15 V
- Output current: 100 mA
- Very compact size
- Tight line and load regulation over the entire input and output range
- Meets IEC55022 Class B conducted EMI even with a reduced EMI filter, thanks to the frequency jittering feature
- RoHS compliant

Description

The [STEVAL-VP26K01B](#) reference design implements a 15 V-1.5 W buck converter for ultra-wide input voltage range auxiliary power supplies from 60 to 870 V_{DC} or 90 to 600 V_{AC}. The highly compact design offers tight line and load regulation over the entire input and output range.

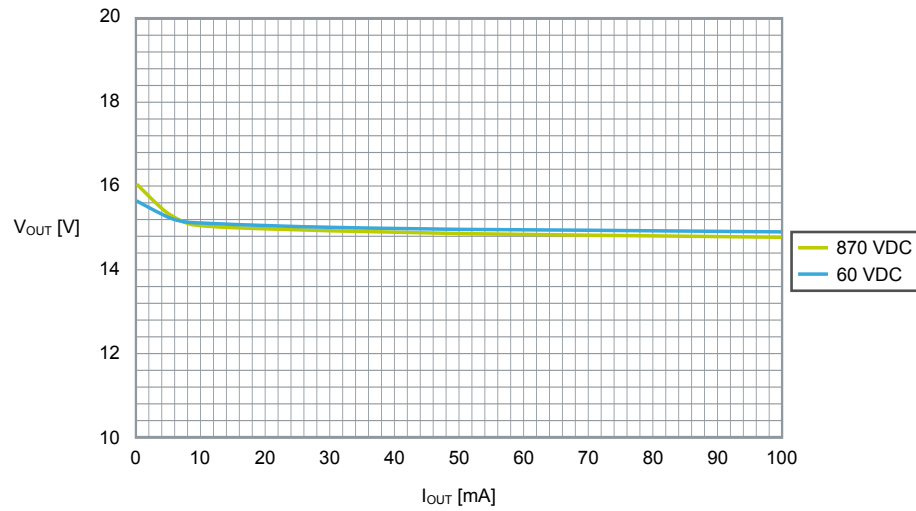
The board represents a very low cost buck solution based on the new [VIPER265KDTR](#) offline high-voltage converter from the [VIPerPlus](#) family with 1050 V Power MOSFET and PWM current-mode control. It allows direct connection to ultra-wide range mains without the need for input an voltage limiter and/or stacked MOSFETs, therefore ensuring a minimal BOM.

The [VIPER265KDTR](#) operates at 60 kHz fixed frequency with frequency jittering to meet the EMC standard requirements.

Product summary	
15 V / 100 mA high voltage buck converter based on VIPer265KD	STEVAL-VP26K01B
1050 V high voltage converter	VIPER265KDTR
1000 V, 1 A ultrafast diode	STTH110
low capacitance small signal Schottky diodes	BAT41
VIPerPlus series high voltage converters	VIPerPlus
Applications	Buck converter

1 Features and specifications

Figure 1. STEVAL-VP26K01B line-load regulation

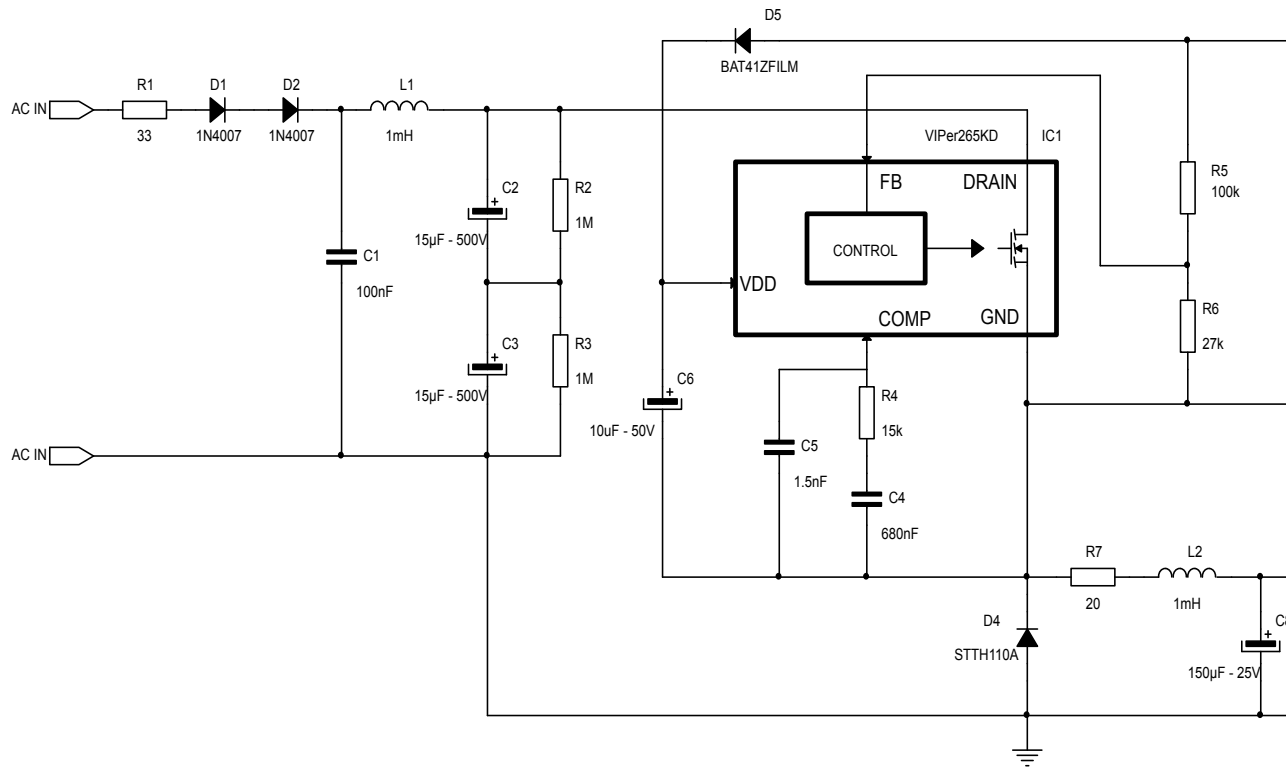


RELATED LINKS

Please visit the [VIPerPlus](#) page on the [ST website](#) for more information on this series of high-voltage converters

2 Schematic diagrams

Figure 2. STEVAL-VP26K01B schematic diagram



Revision history

Table 1. Document revision history

Date	Version	Changes
08-Jul-2019	1	Initial release.

IMPORTANT NOTICE – PLEASE READ CAREFULLY

STMicroelectronics NV and its subsidiaries (“ST”) reserve the right to make changes, corrections, enhancements, modifications, and improvements to ST products and/or to this document at any time without notice. Purchasers should obtain the latest relevant information on ST products before placing orders. ST products are sold pursuant to ST’s terms and conditions of sale in place at the time of order acknowledgement.

Purchasers are solely responsible for the choice, selection, and use of ST products and ST assumes no liability for application assistance or the design of Purchasers’ products.

No license, express or implied, to any intellectual property right is granted by ST herein.

Resale of ST products with provisions different from the information set forth herein shall void any warranty granted by ST for such product.

ST and the ST logo are trademarks of ST. For additional information about ST trademarks, please refer to www.st.com/trademarks. All other product or service names are the property of their respective owners.

Information in this document supersedes and replaces information previously supplied in any prior versions of this document.

© 2019 STMicroelectronics – All rights reserved

X-ON Electronics

Largest Supplier of Electrical and Electronic Components

Click to view similar products for [Power Management IC Development Tools](#) category:

Click to view products by [STMicroelectronics](#) manufacturer:

Other Similar products are found below :

[EVAL-ADM1168LQEBZ](#) [EVB-EP5348UI](#) [MIC23451-AAAYFL EV](#) [MIC5281YMME EV](#) [DA9063-EVAL](#) [ADP122-3.3-EVALZ](#) [ADP130-0.8-EVALZ](#) [ADP130-1.2-EVALZ](#) [ADP130-1.5-EVALZ](#) [ADP130-1.8-EVALZ](#) [ADP1712-3.3-EVALZ](#) [ADP1714-3.3-EVALZ](#) [ADP1715-3.3-EVALZ](#) [ADP1716-2.5-EVALZ](#) [ADP1740-1.5-EVALZ](#) [ADP1752-1.5-EVALZ](#) [ADP1828LC-EVALZ](#) [ADP1870-0.3-EVALZ](#) [ADP1871-0.6-EVALZ](#) [ADP1873-0.6-EVALZ](#) [ADP1874-0.3-EVALZ](#) [ADP1882-1.0-EVALZ](#) [ADP199CB-EVALZ](#) [ADP2102-1.25-EVALZ](#) [ADP2102-1.875EVALZ](#) [ADP2102-1.8-EVALZ](#) [ADP2102-2-EVALZ](#) [ADP2102-3-EVALZ](#) [ADP2102-4-EVALZ](#) [ADP2106-1.8-EVALZ](#) [ADP2147CB-110EVALZ](#) [AS3606-DB](#) [BQ24010EVM](#) [BQ24075TEVM](#) [BQ24155EVM](#) [BQ24157EVM-697](#) [BQ24160EVM-742](#) [BQ24296MEVM-655](#) [BQ25010EVM](#) [BQ3055EVM](#) [NCV891330PD50GEVB](#) [ISLUSBI2CKIT1Z](#) [LM2744EVAL](#) [LM2854EVAL](#) [LM3658SD-AEV/NOPB](#) [LM3658SDEV/NOPB](#) [LM3691TL-1.8EV/NOPB](#) [LM4510SDEV/NOPB](#) [LM5033SD-EVAL](#) [LP38512TS-1.8EV](#)