

## SLLIMM™-nano small low-loss intelligent molded module IPM, 3 A, 600 V, 3-phase IGBT inverter bridge

Datasheet - production data



### Features

- IPM 3 A, 600 V, 3-phase IGBT inverter bridge including control ICs for gate driving and freewheeling diodes
- Optimized for low electromagnetic interference
- $V_{CE(sat)}$  negative temperature coefficient
- 3.3 V, 5 V, 15 V CMOS/TTL inputs comparators with hysteresis and pull-down resistors
- Undervoltage lockout
- Internal bootstrap diode
- Interlocking function
- Optimized pinout for easy board layout

### Applications

- 3-phase inverters for motor drives
- Dish washers, refrigerator compressors, heating systems, air-conditioning fans, draining and recirculation pumps

### Description

This intelligent power module implements a compact, high performance AC motor drive in a simple, rugged design. It is composed of six IGBTs with freewheeling diodes and three half-bridge HVICs for gate driving, providing low electromagnetic interference (EMI) characteristics with optimized switching speed. The package is optimized for thermal performance and compactness in built-in motor applications, or other low power applications where assembly space is limited. This IPM includes an operational amplifier, completely uncommitted, and a comparator that can be used to design a fast and efficient protection circuit. SLLIMM™ is a trademark of STMicroelectronics.

Table 1: Device summary

Order code	Marking	Package	Packing
STGIPN3H60A	GIPN3H60A	NDIP-26L	Tube

**Contents**

**1 Internal schematic diagram and pin configuration ..... 3**

**2 Electrical ratings ..... 6**

    2.1 Absolute maximum ratings ..... 6

    2.2 Thermal data ..... 6

**3 Electrical characteristics ..... 7**

    3.1 Inverter part ..... 7

    3.2 Control part ..... 9

**4 Application circuit example ..... 11**

    4.1 Guidelines ..... 12

**5 Package information ..... 13**

    5.1 NDIP-26L type C package information ..... 14

    5.2 NDIP-26L packing information ..... 16

**6 Revision history ..... 17**

# 1 Internal schematic diagram and pin configuration

Figure 1: Internal schematic diagram

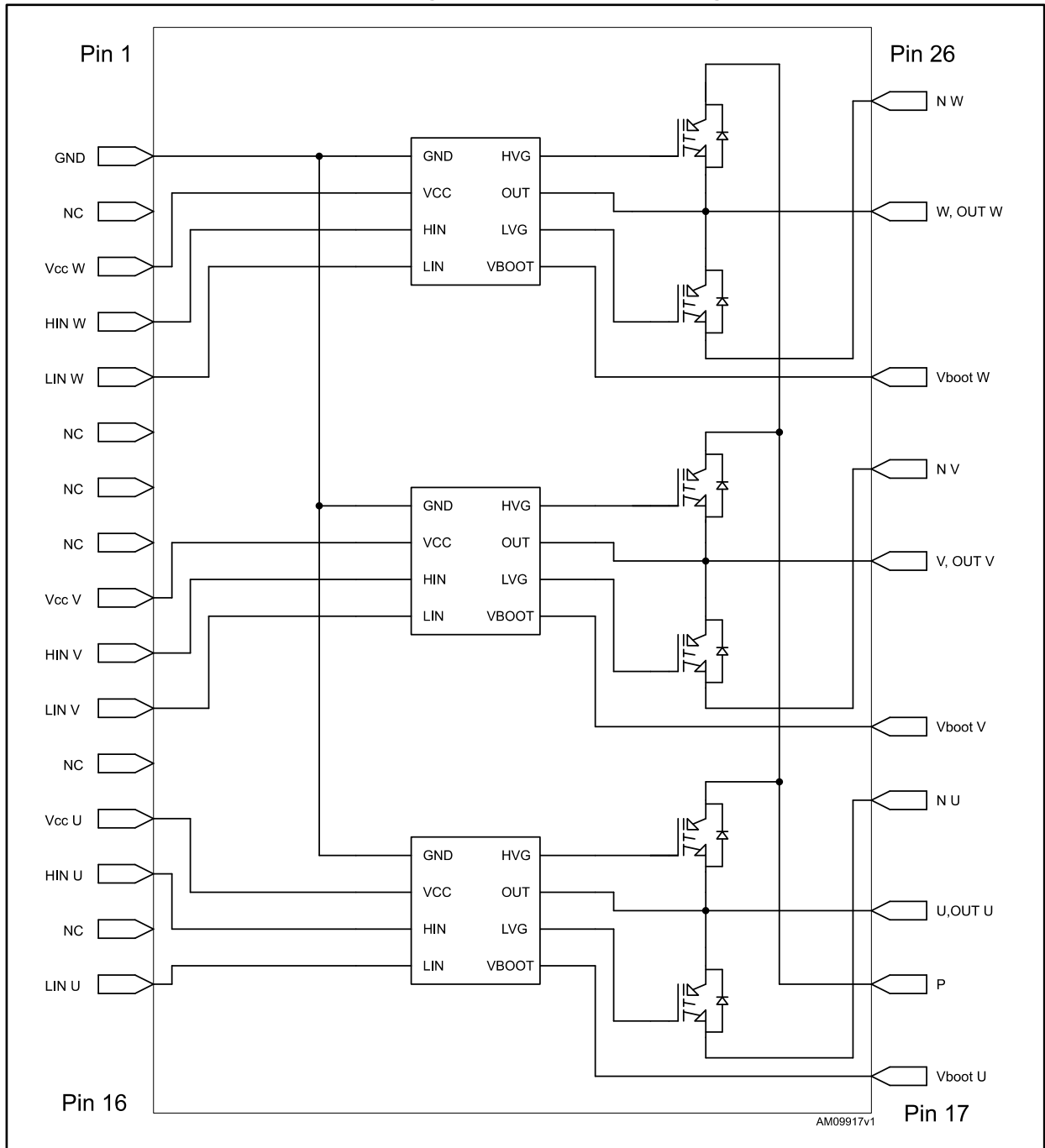


Table 2: Pin description

Pin	Symbol	Description
1	GND	Ground
2	NC	Not connected
3	V <sub>CC</sub> W	Low voltage power supply W phase
4	HIN W	High side logic input for W phase
5	LIN W	Low side logic input for W phase
6	NC	Not connected
7	NC	Not connected
8	NC	Not connected
9	V <sub>CC</sub> V	Low voltage power supply V phase
10	HIN V	High side logic input for V phase
11	LIN V	Low side logic input for V phase
12	NC	Not connected
13	V <sub>CC</sub> U	Low voltage power supply for U phase
14	HIN U	High side logic input for U phase
15	NC	Not connected
16	LIN U	Low side logic input for U phase
17	V <sub>BOOT</sub> U	Bootstrap voltage for U phase
18	P	Positive DC input
19	U	U phase output
20	N <sub>U</sub>	Negative DC input for U phase
21	V <sub>BOOT</sub> V	Bootstrap voltage for V phase
22	V	V phase output
23	N <sub>V</sub>	Negative DC input for V phase
24	V <sub>BOOT</sub> W	Bootstrap voltage for W phase
25	W	W phase output
26	N <sub>W</sub>	Negative DC input for W phase

Figure 2: Pin layout (top view)



## 2 Electrical ratings

### 2.1 Absolute maximum ratings

Table 3: Inverter part

Symbol	Parameter	Value	Unit
V <sub>CEs</sub>	Each IGBT collector emitter voltage (V <sub>IN</sub> <sup>(1)</sup> = 0)	600	V
± I <sub>C</sub> <sup>(2)</sup>	Each IGBT continuous collector current at T <sub>C</sub> = 25°C	3	A
± I <sub>CP</sub> <sup>(3)</sup>	Each IGBT pulsed collector current	18	A
P <sub>TOT</sub>	Each IGBT total dissipation at T <sub>C</sub> = 25°C	8	W

**Notes:**

(1) Applied between HIN<sub>i</sub>, LIN<sub>i</sub> and G<sub>ND</sub> for i = U, V, W.

(2) Calculated according to the iterative formula:

$$I_C(T_C) = \frac{T_{j(max)} - T_C}{R_{thj-c} \times V_{CE(sat)(max)}(T_{j(max)}, I_C(T_C))}$$

(3) Pulse width limited by max junction temperature.

Table 4: Control part

Symbol	Parameter	Min.	Max.	Unit
V <sub>OUT</sub>	Output voltage applied between OUT <sub>U</sub> , OUT <sub>V</sub> , OUT <sub>W</sub> - G <sub>ND</sub>	V <sub>boot</sub> - 18	V <sub>boot</sub> + 0.3	V
V <sub>CC</sub>	Low voltage power supply	- 0.3	18	V
V <sub>boot</sub>	Bootstrap voltage	- 0.3	618	V
V <sub>IN</sub>	Logic input voltage applied between HIN <sub>i</sub> , LIN <sub>i</sub> and G <sub>ND</sub> for i = U, V, W	- 0.3	V <sub>CC</sub> + 0.3	V
ΔV <sub>OUT/dT</sub>	Allowed output slew rate		50	V/ns

Table 5: Total system

Symbol	Parameter	Value	Unit
V <sub>ISO</sub>	Isolation withstand voltage applied between each pin and heatsink plate (AC voltage, t = 60 s.)	1000	V
T <sub>j</sub>	Power chips operating junction temperature range	-40 to 150	°C
T <sub>C</sub>	Module operation case temperature range	-40 to 125	°C

### 2.2 Thermal data

Table 6: Thermal data

Symbol	Parameter	Value	Unit
R <sub>thJA</sub>	Thermal resistance junction-ambient	50	°C/W

### 3 Electrical characteristics

#### 3.1 Inverter part

$T_J = 25\text{ °C}$  unless otherwise specified.

Table 7: Static

Symbol	Parameter	Test conditions	Min.	Typ.	Max.	Unit
$V_{CE(sat)}$	Collector-emitter saturation voltage	$V_{CC} = V_{boot} = 15\text{ V}$ , $V_{IN}^{(1)} = 0\text{ to }5\text{ V}$ , $I_C = 1\text{ A}$	-	2.15	2.6	V
		$V_{CC} = V_{boot} = 15\text{ V}$ , $V_{IN}^{(1)} = 0\text{ to }5\text{ V}$ , $I_C = 1\text{ A}$ , $T_J = 125\text{ °C}$	-	1.65		
$I_{CES}$	Collector-cut off current ( $V_{IN}^{(1)} = 0$ "logic state")	$V_{CE} = 550\text{ V}$ , $V_{CC} = V_{Boot} = 15\text{ V}$	-		250	$\mu\text{A}$
$V_F$	Diode forward voltage	$V_{IN}^{(1)} = 0$ "logic state", $I_C = 1\text{ A}$	-		1.7	V

**Notes:**

<sup>(1)</sup>Applied between  $HIN_i$ ,  $LIN_i$  and  $GND$  for  $i = U, V, W$  ( $LIN$  inputs are active-low).

Table 8: Inductive load switching time and energy

Symbol	Parameter	Test conditions	Min.	Typ.	Max.	Unit
$t_{on}^{(1)}$	Turn-on time	$V_{DD} = 300\text{ V}$ , $V_{CC} = V_{boot} = 15\text{ V}$ , $V_{IN}^{(2)} = 0 - 5\text{ V}$ , $I_C = 1\text{ A}$ (see <a href="#">Figure 4: "Switching time definition"</a> )	-	275	-	ns
$t_{c(on)}^{(1)}$	Crossover time (on)		-	90	-	
$t_{off}^{(1)}$	Turn-off time		-	890	-	
$t_{c(off)}^{(1)}$	Crossover time (off)		-	125	-	
$t_{rr}$	Reverse recovery time		-	50	-	$\mu\text{J}$
$E_{on}$	Turn-on switching energy		-	18	-	
$E_{off}$	Turn-off switching energy	-	13	-		

**Notes:**

<sup>(1)</sup> $t_{ON}$  and  $t_{OFF}$  include the propagation delay time of the internal drive.  $t_{C(ON)}$  and  $t_{C(OFF)}$  are the switching time of IGBT itself under the internally given gate driving condition.

<sup>(2)</sup>Applied between  $HIN_i$ ,  $LIN_i$  and  $GND$  for  $i = U, V, W$  ( $LIN$  inputs are active-low).

Figure 3: Switching time test circuit

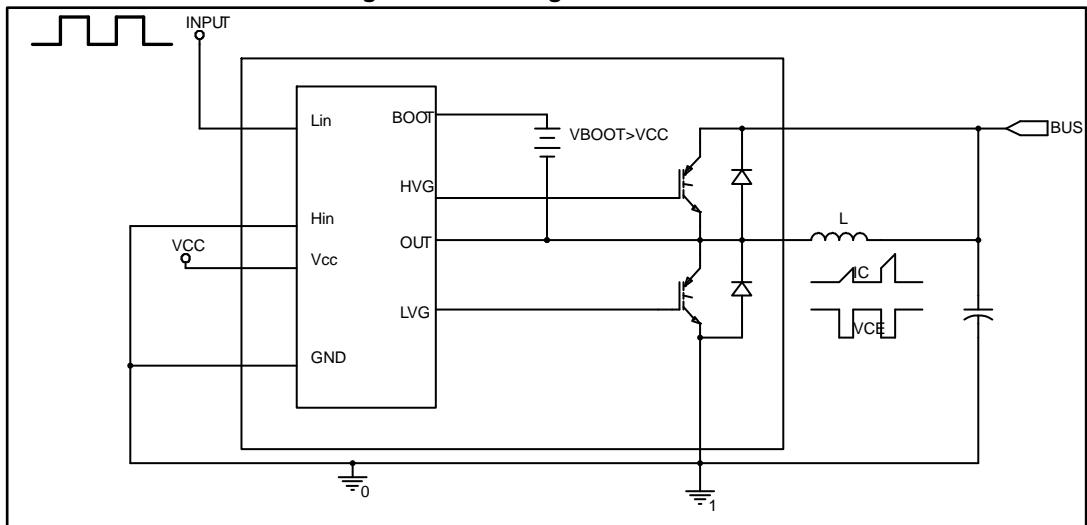
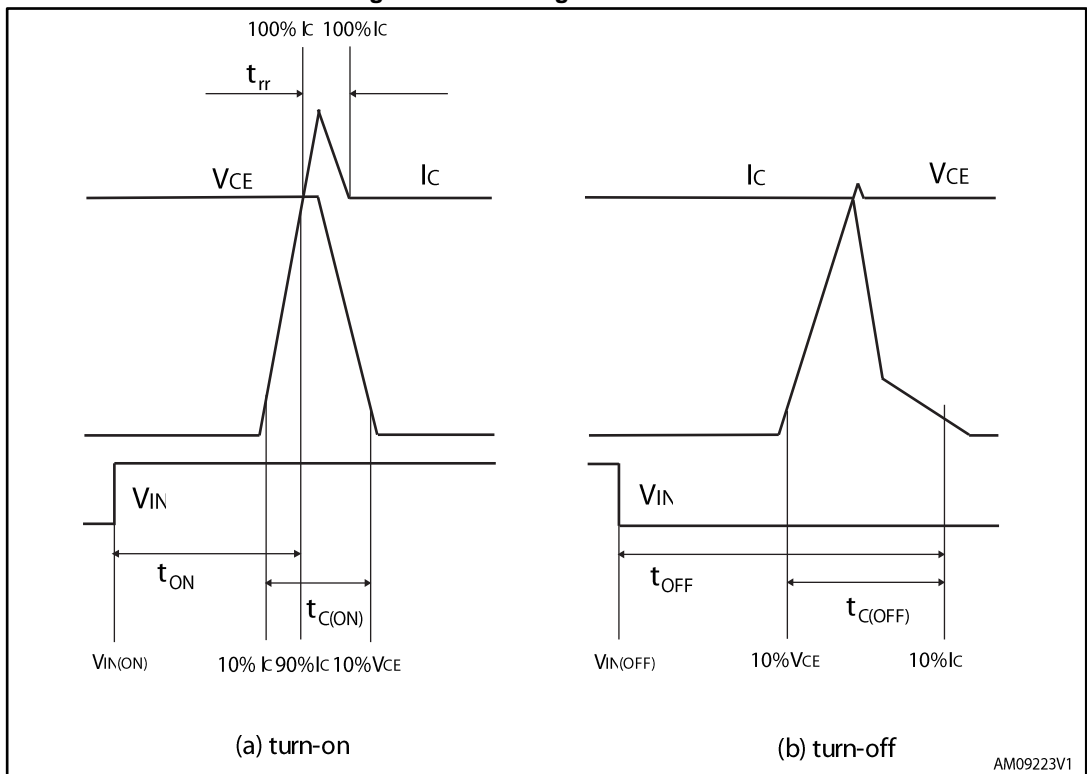


Figure 4: Switching time definition





## 3.2 Control part

Table 9: Low voltage power supply ( $V_{CC} = 15\text{ V}$  unless otherwise specified)

Symbol	Parameter	Test conditions	Min.	Typ.	Max.	Unit
$V_{CC\_thON}$	Undervoltage turn-on threshold		9.1	9.6	10.1	V
$V_{CC\_thOFF}$	Undervoltage turn-off threshold		7.9	8.3	8.8	V
$V_{CC\_hys}$	Undervoltage hystereses		0.9			V
$I_{qccu}$	Undervoltage quiescent supply current	$V_{CC} < 7.9\text{ V}$		250	330	$\mu\text{A}$
$I_{qcc}$	Quiescent current	$V_{CC} = 15\text{ V}$		350	450	$\mu\text{A}$

Table 10: Bootstrapped voltage ( $V_{CC} = 15\text{ V}$  unless otherwise specified)

Symbol	Parameter	Test conditions	Min.	Typ.	Max.	Unit
$V_{boot\_thON}$	Undervoltage turn-on threshold		8.5	9.5	10.5	V
$V_{boot\_thOFF}$	Undervoltage turn-off threshold		7.2	8.3	9.2	V
$V_{boot\_hys}$	Undervoltage hystereses		0.9			V
$I_{qboot}$	Quiescent current				250	$\mu\text{A}$
$R_{DS(on)}$	Bootstrap driver on-resistance	$V_{CC} > 12.5\text{ V}$		125		$\Omega$

Table 11: Logic inputs ( $V_{CC} = 15\text{ V}$  unless otherwise specified)

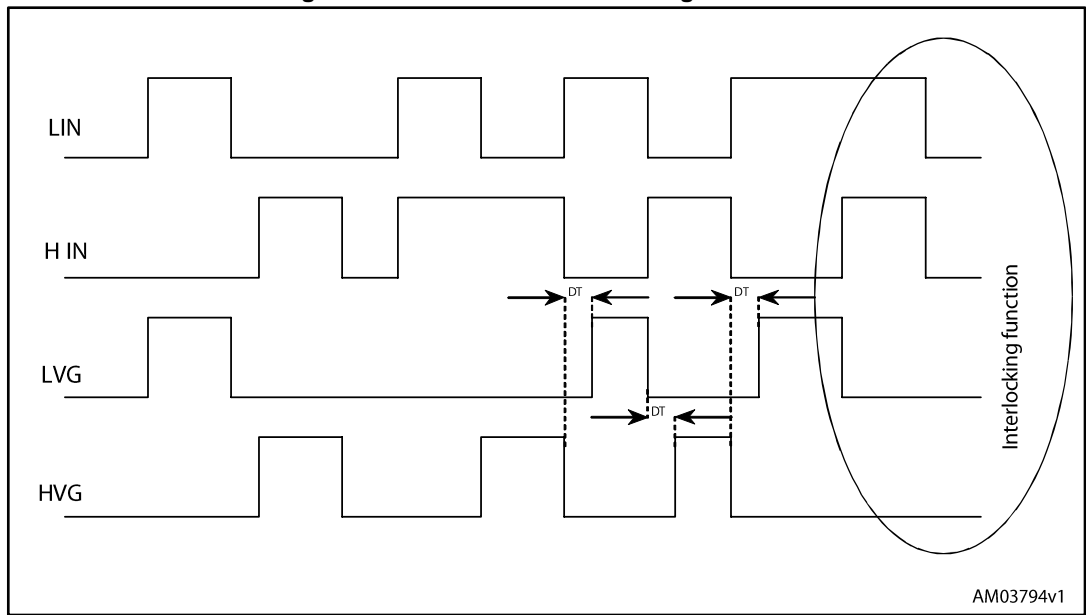
Symbol	Parameter	Test conditions	Min.	Typ.	Max.	Unit
$V_{il}$	Low level logic input voltage				1.1	V
$V_{ih}$	High level logic input voltage		1.8			V
$I_{il}$	Low level logic input current <sup>(1)</sup>	$V_{IN} = 0\text{ V}$ <sup>(1)</sup>	-1			$\mu\text{A}$
$I_{ih}$	High level logic input current <sup>(1)</sup>	$V_{IN} = 15\text{ V}$ <sup>(1)</sup>		20	70	$\mu\text{A}$
$Dt$	Dead time <sup>(2)</sup>			320		ns

**Notes:**

<sup>(1)</sup>Applied between  $HIN_i$ ,  $LIN_i$  and  $GND$  for  $i = U, V, W$

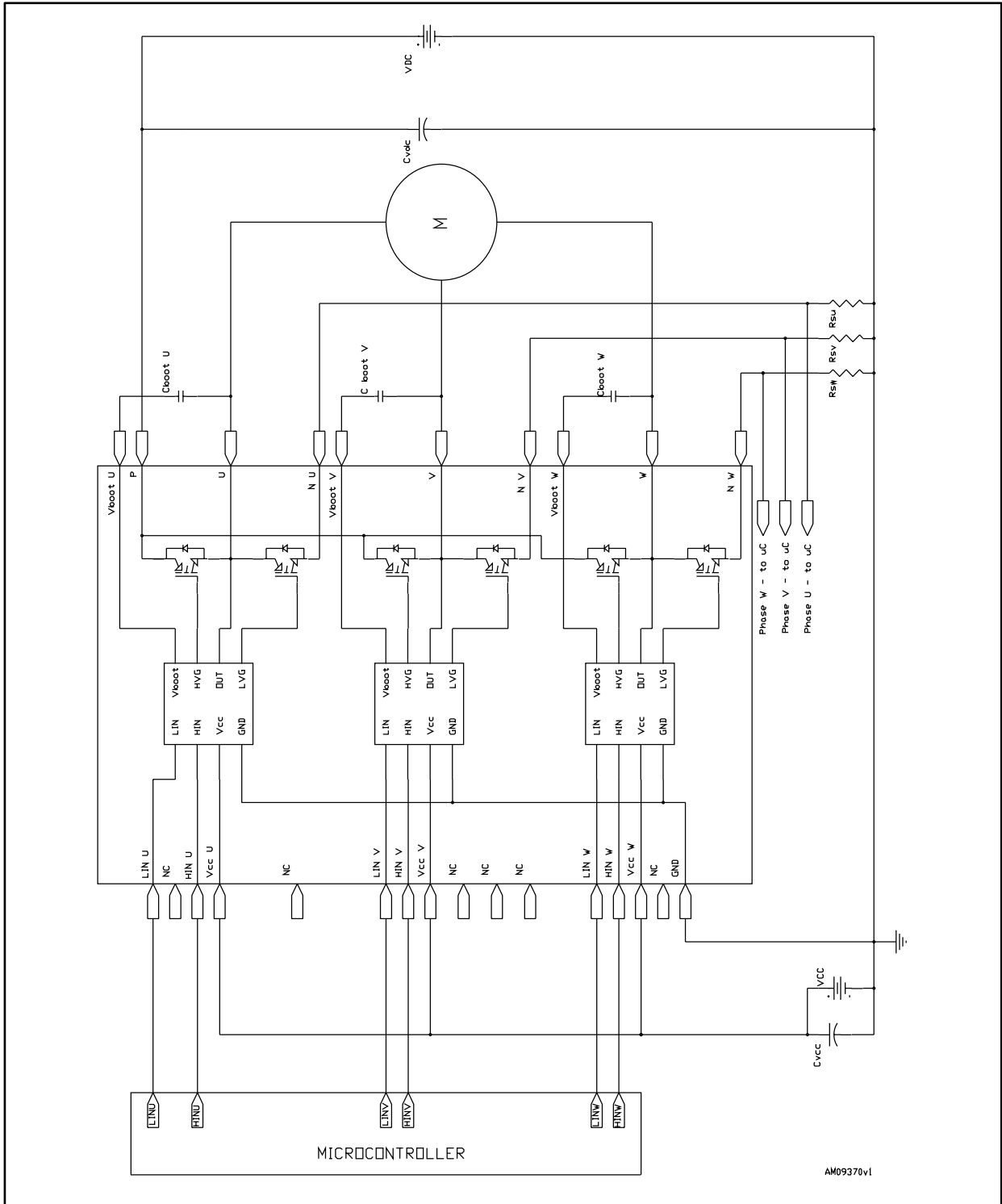
<sup>(2)</sup>See [Figure 5: "Dead time and interlocking definition"](#)

Figure 5: Dead time and interlocking definition



# 4 Application circuit example

Figure 6: Application circuit example



Application designers are free to use a different scheme according with the specifications of the device.

## 4.1 Guidelines

- Input signals HIN, LIN are active-high logic. A 500 k $\Omega$  (typ.) pull-down resistor is built-in for each high side input. If an external RC filter is used for noise immunity, attention should be given to the variation of the input signal level.
- To prevent input signal oscillation, the wiring of each input should be as short as possible.
- By integrating an application-specific type HVIC inside the module, direct coupling to the MCU terminals without an opto-coupler is possible.
- Each capacitor should be located as close as possible to the pins of the IPM.
- Low inductance shunt resistors should be used for phase leg current sensing.
- Electrolytic bus capacitors should be mounted as close to the module bus terminals as possible. Additional high frequency ceramic capacitors mounted close to the module pins will further improve performance.

These guidelines are useful for application design to ensure the specifications of the device. For further details, please refer to the relevant application note AN4043.

**Table 12: Recommended operating conditions**

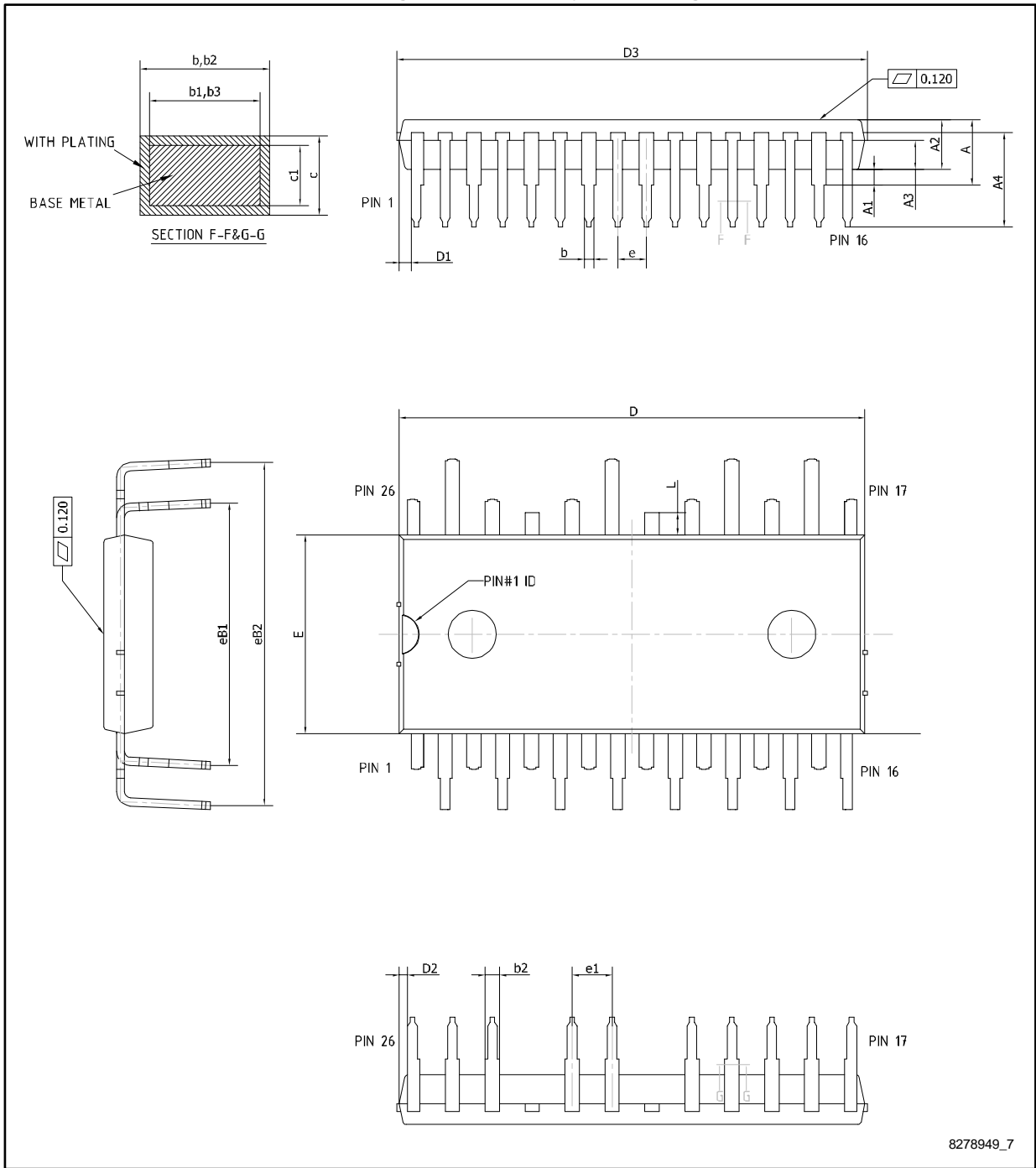
Symbol	Parameter	Test conditions	Min.	Typ.	Max.	Unit
$V_{PN}$	Supply voltage	Applied between P-Nu, Nv, Nw		300	500	V
$V_{CC}$	Control supply voltage	Applied between $V_{CC}$ -GND	12	15	17	V
$V_{BS}$	High side bias voltage	Applied between $V_{BOOTi}$ - $OUT_i$ for $i = U, V, W$	11.5		17	V
$t_{dead}$	Blanking time to prevent Arm-short	For each input signal	1.5			$\mu$ s
$f_{PWM}$	PWM input signal	$-40^{\circ}\text{C} < T_c < 100^{\circ}\text{C}$ $-40^{\circ}\text{C} < T_j < 125^{\circ}\text{C}$			25	kHz
$T_C$	Case operation temperature				100	$^{\circ}\text{C}$

## 5 Package information

In order to meet environmental requirements, ST offers these devices in different grades of ECOPACK® packages, depending on their level of environmental compliance. ECOPACK® specifications, grade definitions and product status are available at: [www.st.com](http://www.st.com). ECOPACK® is an ST trademark.

### 5.1 NDIP-26L type C package information

Figure 7: NDIP-26L type C package outline



8278949\_7

Table 13: NDIP-26L type C mechanical data

Dim.	mm		
	Min.	Typ.	Max.
A			4.40
A1	0.80	1.00	1.20
A2	3.00	3.10	3.20
A3	1.70	1.80	1.90
A4	5.70	5.90	6.10
b	0.53		0.72
b1	0.52	0.60	0.68
b2	0.83		1.02
b3	0.82	0.90	0.98
c	0.46		0.59
c1	0.45	0.50	0.55
D	29.05	29.15	29.25
D1	0.50	0.77	1.00
D2	0.35	0.53	0.70
D3			29.55
E	12.35	12.45	12.55
e	1.70	1.80	1.90
e1	2.40	2.50	2.60
eB1	16.10	16.40	16.70
eB2	21.18	21.48	21.78
L	1.24	1.39	1.54

## 5.2 NDIP-26L packing information

Figure 8: NDIP-26L tube dimensions (dimensions are in mm)

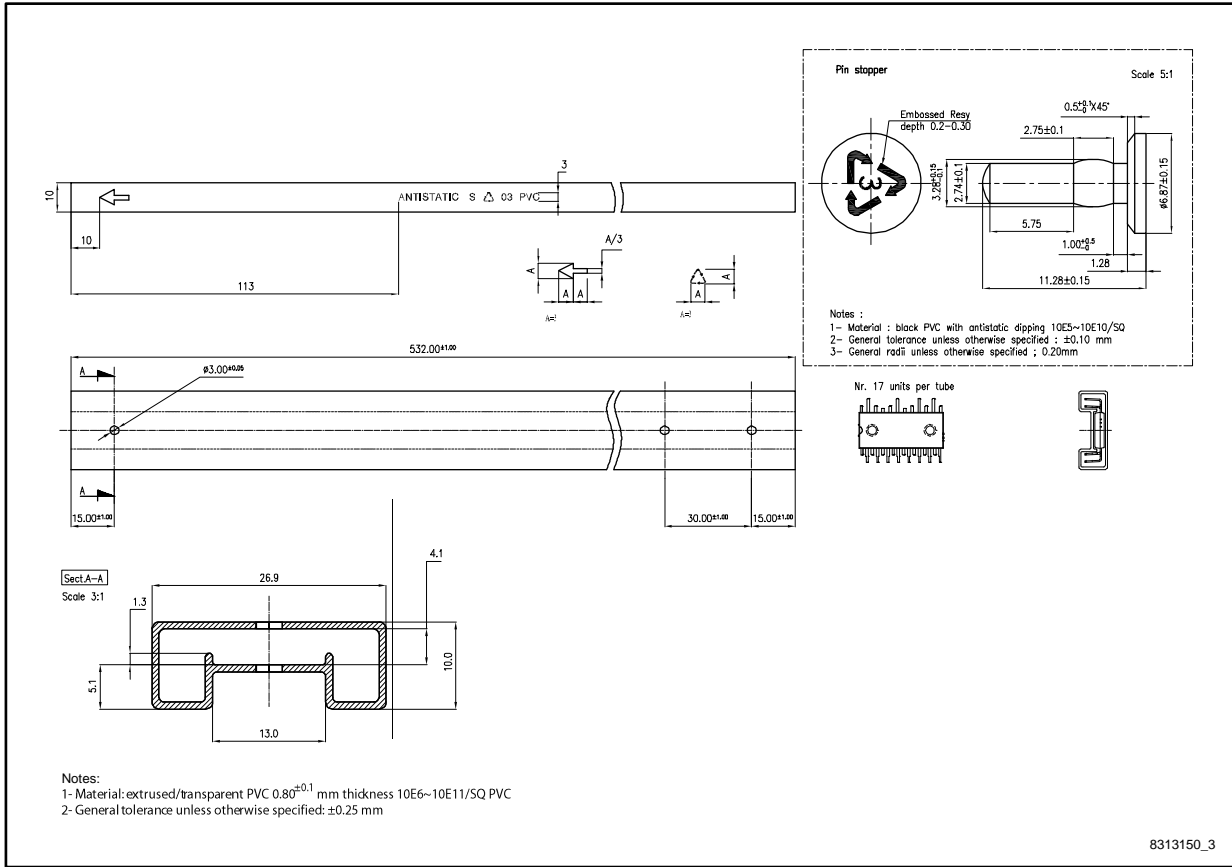


Table 14: Shipping details

Parameter	Value
Base quantity	17 pcs
Bulk quantity	476 pcs



## 6 Revision history

**Table 15: Document revision history**

Date	Revision	Changes
23-Jun-2011	1	Initial release.
09-Jan-2012	2	Document status promoted from preliminary data to datasheet. Added <i>Figure 8 on page 15</i> .
03-Jul-2012	3	Modified: Min. and Max. value Table 4 on page 6. Added: <i>Table 11 on page 12</i> .
14-Mar-2014	4	Updated <i>Figure 3: Switching time test circuit</i> . Updated <i>Section 5: Package mechanical data</i> .
06-Sep-2016	5	Updated <i>Section 5.1: "NDIP-26L type C package information"</i> and <i>Section 5.2: "NDIP-26L packing information"</i> Minor text changes

**IMPORTANT NOTICE – PLEASE READ CAREFULLY**

STMicroelectronics NV and its subsidiaries ("ST") reserve the right to make changes, corrections, enhancements, modifications, and improvements to ST products and/or to this document at any time without notice. Purchasers should obtain the latest relevant information on ST products before placing orders. ST products are sold pursuant to ST's terms and conditions of sale in place at the time of order acknowledgement.

Purchasers are solely responsible for the choice, selection, and use of ST products and ST assumes no liability for application assistance or the design of Purchasers' products.

No license, express or implied, to any intellectual property right is granted by ST herein.

Resale of ST products with provisions different from the information set forth herein shall void any warranty granted by ST for such product.

ST and the ST logo are trademarks of ST. All other product or service names are the property of their respective owners.

Information in this document supersedes and replaces information previously supplied in any prior versions of this document.

© 2016 STMicroelectronics – All rights reserved

## X-ON Electronics

Largest Supplier of Electrical and Electronic Components

*Click to view similar products for [IGBT Modules category](#):*

*Click to view products by [STMicroelectronics manufacturer](#):*

Other Similar products are found below :

[F3L400R07ME4\\_B22](#) [F4-50R07W2H3\\_B51](#) [FB15R06W1E3](#) [FB20R06W1E3\\_B11](#) [FD1000R33HE3-K](#) [FD400R12KE3](#) [FD400R33KF2C-K](#)  
[FD401R17KF6C\\_B2](#) [FD-DF80R12W1H3\\_B52](#) [FF200R06YE3](#) [FF300R12KE4\\_E](#) [FF450R12ME4P](#) [FF600R12IP4V](#) [FP15R12W2T4](#)  
[FP20R06W1E3](#) [FP50R12KT3](#) [FP75R07N2E4\\_B11](#) [FS10R12YE3](#) [FS150R07PE4](#) [FS150R12PT4](#) [FS200R12KT4R](#) [FS20R06W1E3\\_B11](#)  
[FS50R07N2E4\\_B11](#) [FZ1000R33HE3](#) [FZ1800R17KF4](#) [DD250S65K3](#) [DF1000R17IE4](#) [DF1000R17IE4D\\_B2](#) [DF1400R12IP4D](#)  
[DF200R12PT4\\_B6](#) [DF400R07PE4R\\_B6](#) [BSM75GB120DN2\\_E3223c-Se](#) [F3L300R12ME4\\_B22](#) [F3L75R07W2E3\\_B11](#) [F4-50R12KS4\\_B11](#)  
[FD1400R12IP4D](#) [FD200R12PT4\\_B6](#) [FD800R33KF2C-K](#) [FF150R12ME3G](#) [FF300R17KE3\\_S4](#) [FF300R17ME4\\_B11](#) [FF401R17KF6C\\_B2](#)  
[FF650R17IE4D\\_B2](#) [FF900R12IP4D](#) [FF900R12IP4DV](#) [FP50R07N2E4\\_B11](#) [FS100R07PE4](#) [FS150R07N3E4\\_B11](#) [FS150R17N3E4](#)  
[FS150R17PE4](#)