

## N-channel 80 V, 3.3 mΩ typ., 90 A STripFET™ F7 Power MOSFET in a H2PAK-2 package

Datasheet - production data

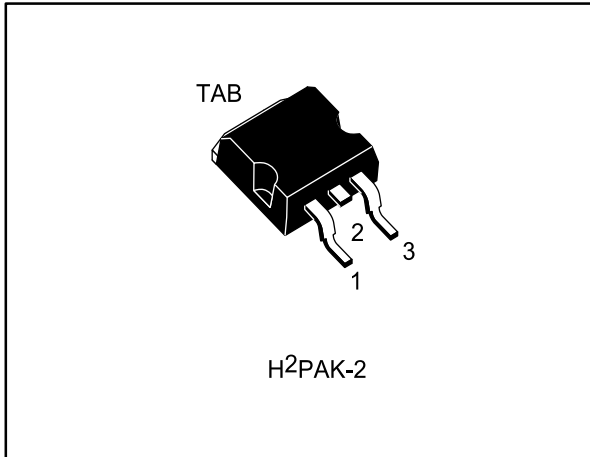
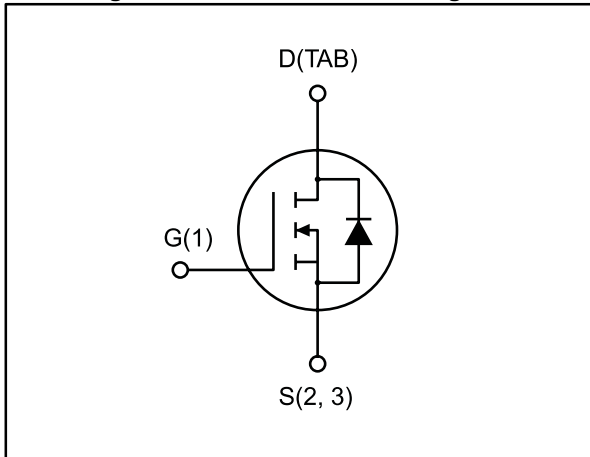


Figure 1: Internal schematic diagram



### Features

Order code	V <sub>DS</sub>	R <sub>DS(on)</sub> max.	I <sub>D</sub>	P <sub>TOT</sub>
STH140N8F7-2	80 V	4 mΩ	90 A	200 W

- Among the lowest R<sub>DS(on)</sub> on the market
- Excellent figure of merit (FoM)
- Low C<sub>rss</sub>/C<sub>iss</sub> ratio for EMI immunity
- High avalanche ruggedness

### Applications

- Switching applications

### Description

This N-channel Power MOSFET utilizes STripFET™ F7 technology with an enhanced trench gate structure that results in very low on-state resistance, while also reducing internal capacitance and gate charge for faster and more efficient switching.

Table 1: Device summary

Order code	Marking	Package	Packaging
STH140N8F7-2	140N8F7	H <sup>2</sup> PAK-2	Tape and reel

---

## Contents

<b>1</b>	<b>Electrical ratings .....</b>	<b>3</b>
<b>2</b>	<b>Electrical characteristics .....</b>	<b>4</b>
	2.1 Electrical characteristics (curves).....	5
<b>3</b>	<b>Test circuit .....</b>	<b>7</b>
<b>4</b>	<b>Package mechanical data .....</b>	<b>8</b>
	4.1 H2PAK-2 mechanical data .....	9
<b>5</b>	<b>Packaging mechanical data.....</b>	<b>12</b>
<b>6</b>	<b>Revision history .....</b>	<b>14</b>

# 1 Electrical ratings

**Table 2: Absolute maximum ratings**

Symbol	Parameter	Value	Unit
$V_{DS}$	Drain-source voltage	80	V
$V_{GS}$	Gate-source voltage	$\pm 20$	V
$I_D$	Drain current (continuous) at $T_C = 25\text{ }^\circ\text{C}$	90 <sup>(1)</sup>	A
$I_D$	Drain current (continuous) at $T_C = 100\text{ }^\circ\text{C}$	90	A
$I_{DM}$ <sup>(2)</sup>	Drain current (pulsed)	360	A
$P_{TOT}$	Total dissipation at $T_C = 25\text{ }^\circ\text{C}$	200	W
$E_{AS}$ <sup>(3)</sup>	Single pulse avalanche energy	515	mJ
$T_j$	Operating junction temperature	- 55 to 175	° C
$T_{stg}$	Storage temperature		

**Notes:**

<sup>(1)</sup>Limited by package

<sup>(2)</sup>Pulse width is limited by safe operating area

<sup>(3)</sup>Starting  $T_j = 25\text{ }^\circ\text{C}$ ,  $I_D = 18.5\text{ A}$ ,  $V_{DD} = 50\text{ V}$

**Table 3: Thermal data**

Symbol	Parameter	Value	Unit
$R_{thj-pcb}$ <sup>(1)</sup>	Thermal resistance junction-pcb	35	° C/W
$R_{thj-case}$	Thermal resistance junction-case	0.75	° C/W

**Notes:**

<sup>(1)</sup>When mounted on FR-4 board of 1inch<sup>2</sup>, 2oz Cu

## 2 Electrical characteristics

(T<sub>CASE</sub> = 25 ° C unless otherwise specified)

**Table 4: On/off states**

Symbol	Parameter	Test conditions	Min.	Typ.	Max.	Unit
V <sub>(BR)DSS</sub>	Drain-source breakdown voltage	V <sub>GS</sub> = 0, I <sub>D</sub> = 250 μA	80			V
I <sub>DSS</sub>	Zero gate voltage Drain current	V <sub>GS</sub> = 0, V <sub>DS</sub> = 80 V			1	μA
		V <sub>GS</sub> = 0, V <sub>DS</sub> = 80 V, T <sub>J</sub> = 125 ° C			10	μA
I <sub>GSS</sub>	Gate-source leakage current	V <sub>DS</sub> = 0, V <sub>GS</sub> = ± 20 V			± 100	nA
V <sub>GS(th)</sub>	Gate threshold voltage	V <sub>DS</sub> = V <sub>GS</sub> , I <sub>D</sub> = 250 μA	2.5		4.5	V
R <sub>DS(on)</sub>	Static drain-source on-resistance	V <sub>GS</sub> = 10 V, I <sub>D</sub> = 45 A		3.3	4	mΩ

**Table 5: Dynamic**

Symbol	Parameter	Test conditions	Min.	Typ.	Max.	Unit
C <sub>iss</sub>	Input capacitance	V <sub>GS</sub> = 0, V <sub>DS</sub> = 40 V, f = 1 MHz	-	6340	-	pF
C <sub>oss</sub>	Output capacitance		-	1195	-	pF
C <sub>rss</sub>	Reverse transfer capacitance		-	105	-	pF
Q <sub>g</sub>	Total gate charge	V <sub>DD</sub> = 40 V, I <sub>D</sub> = 64 A, V <sub>GS</sub> = 10 V	-	96	-	nC
Q <sub>gs</sub>	Gate-source charge		-	30	-	nC
Q <sub>gd</sub>	Gate-drain charge		-	26	-	nC

**Table 6: Switching times**

Symbol	Parameter	Test conditions	Min.	Typ.	Max.	Unit
t <sub>d(on)</sub>	Turn-on delay time	V <sub>DD</sub> = 40 V, I <sub>D</sub> = 45 A R <sub>G</sub> = 4.7 Ω, V <sub>GS</sub> = 10 V	-	26	-	ns
t <sub>r</sub>	Rise time		-	51	-	ns
t <sub>d(off)</sub>	Turn-off-delay time		-	82	-	ns
t <sub>f</sub>	Fall time		-	44	-	ns

**Table 7: Source drain diode**

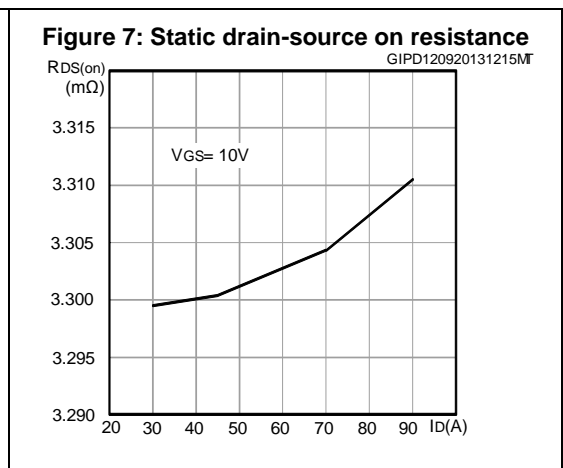
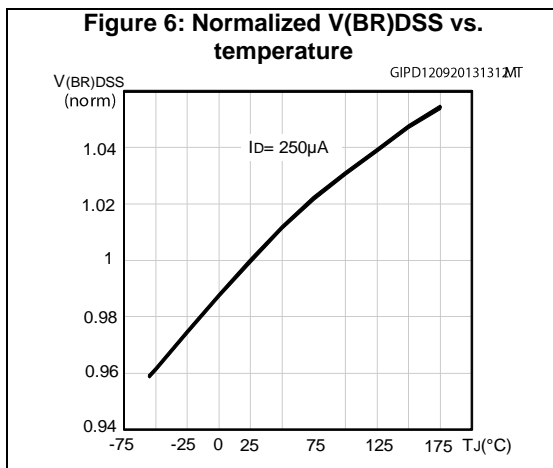
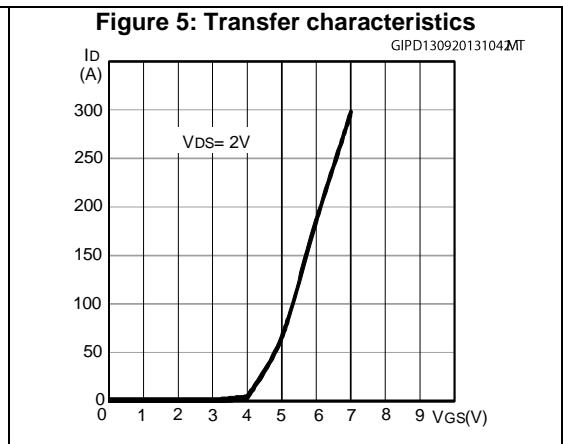
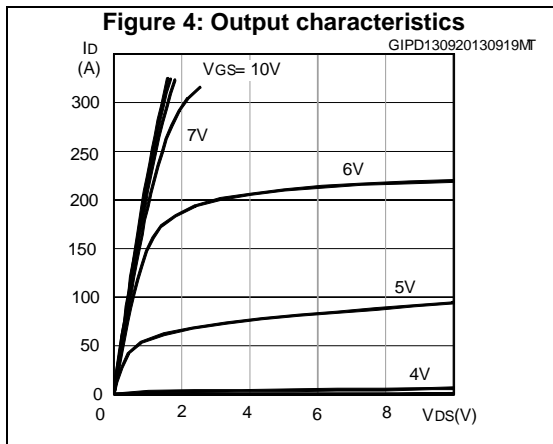
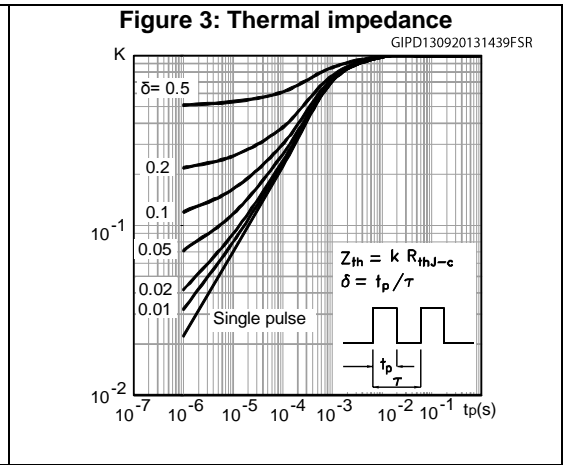
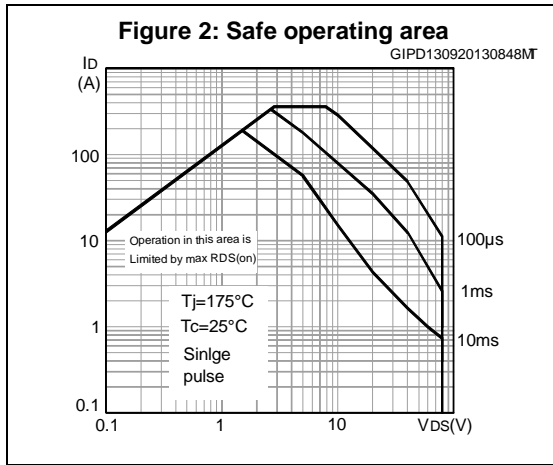
Symbol	Parameter	Test conditions	Min.	Typ.	Max.	Unit
I <sub>SD</sub>	Source-drain current		-		90	A
I <sub>SDM</sub> <sup>(1)</sup>	Source-drain current (pulsed)		-		360	A
V <sub>SD</sub> <sup>(2)</sup>	Forward on voltage	V <sub>GS</sub> = 0, I <sub>SD</sub> = 90 A	-		1.2	V
t <sub>rr</sub>	Reverse recovery time	I <sub>SD</sub> = 64 A, di/dt = 100 A/μs, V <sub>DD</sub> = 60 V, T <sub>J</sub> = 150 ° C	-	58		ns
Q <sub>rr</sub>	Reverse recovery charge		-	92		nC
I <sub>RRM</sub>	Reverse recovery current		-	3.2		A

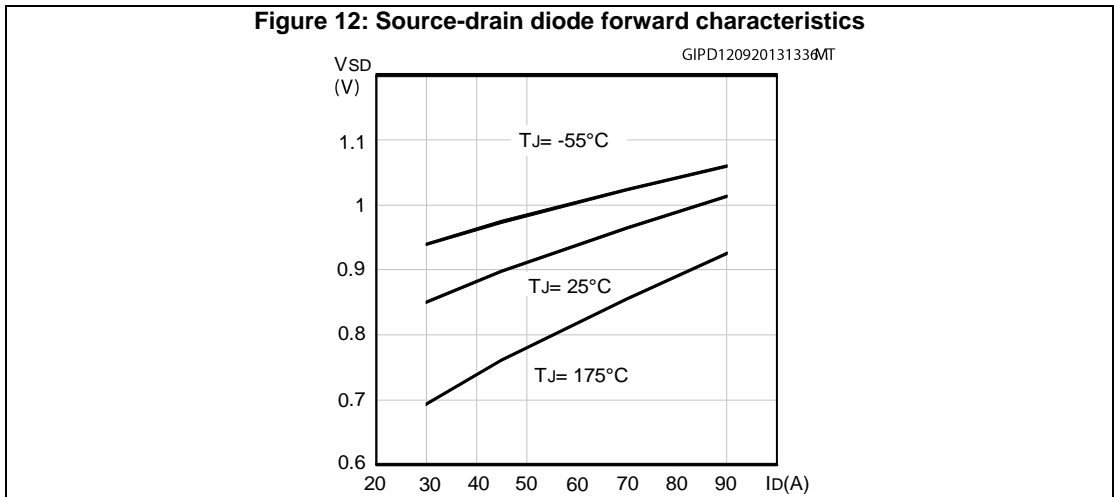
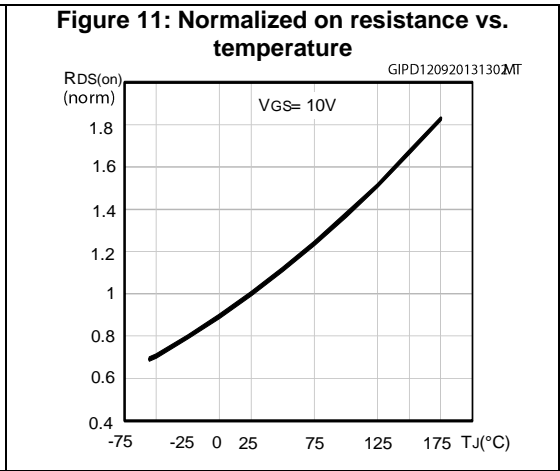
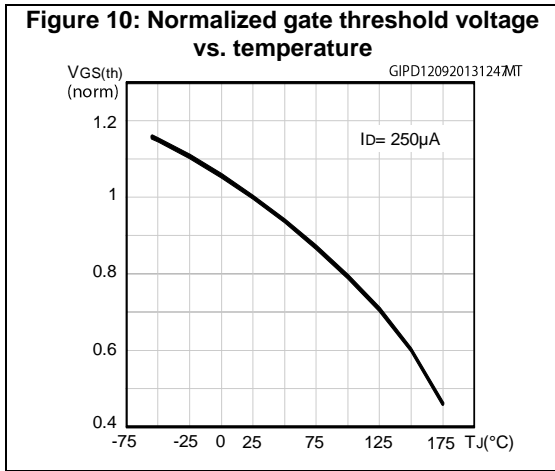
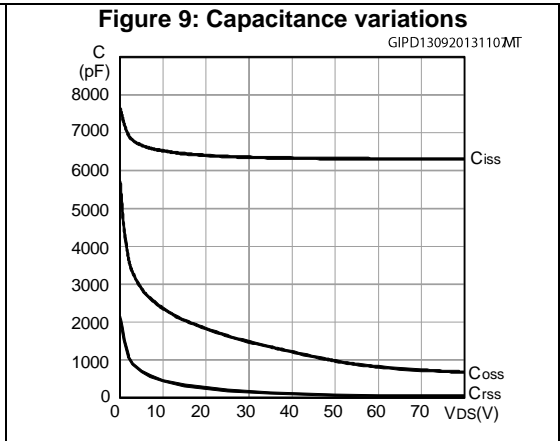
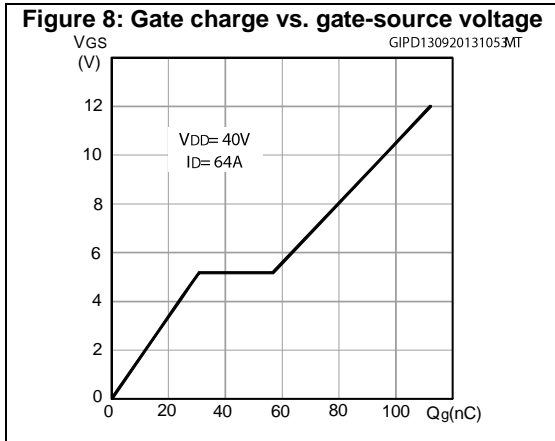
**Notes:**

<sup>(1)</sup>Pulse width is limited by safe operating area

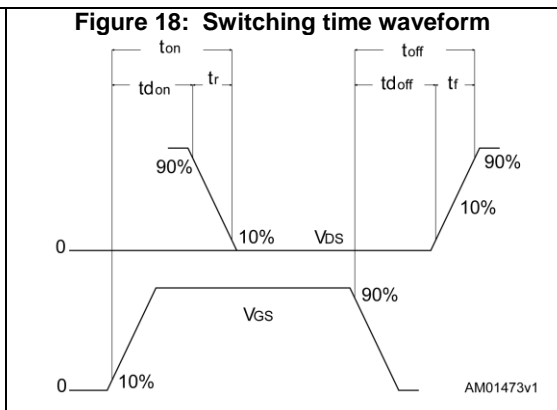
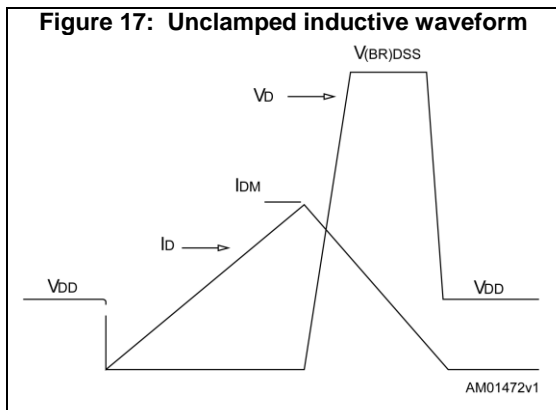
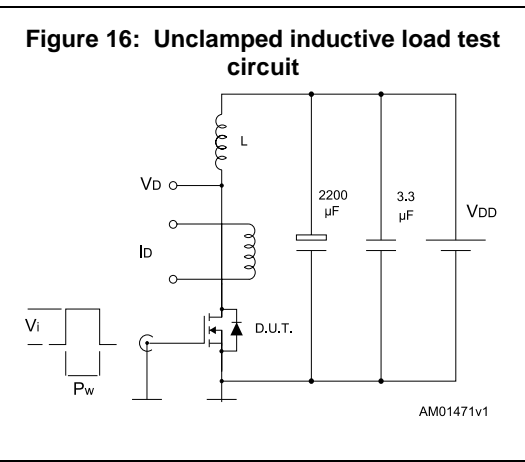
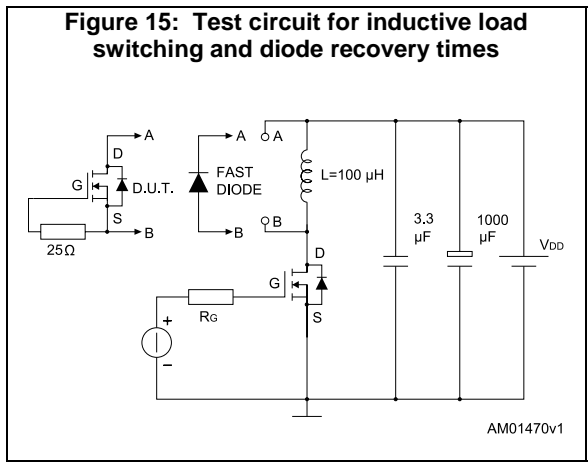
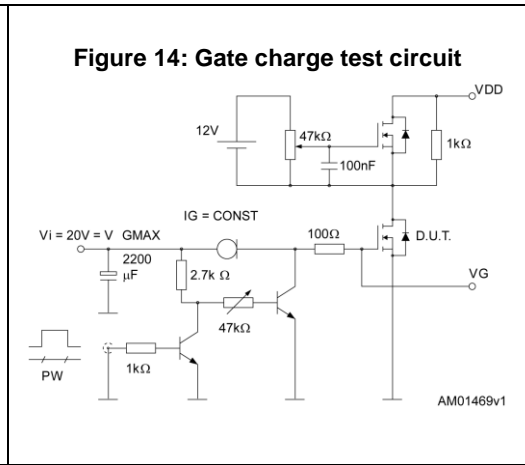
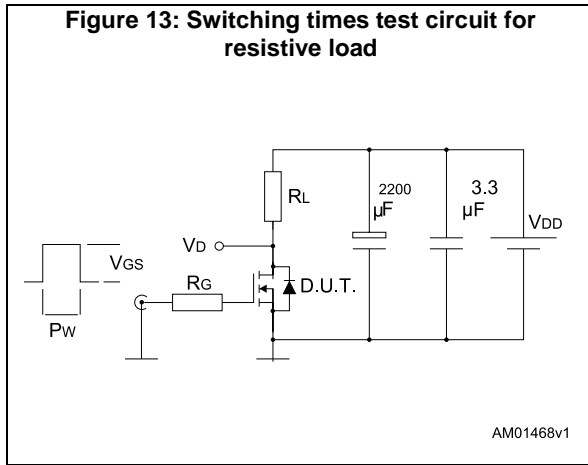
<sup>(2)</sup>Pulse test: pulse duration = 300 μ s, duty cycle 1.5%

## 2.1 Electrical characteristics (curves)





### 3 Test circuit



## 4 Package mechanical data

In order to meet environmental requirements, ST offers these devices in different grades of ECOPACK® packages, depending on their level of environmental compliance. ECOPACK® specifications, grade definitions and product status are available at: [www.st.com](http://www.st.com). ECOPACK® is an ST trademark.



### 4.1 H2PAK-2 mechanical data

Figure 19: H<sup>2</sup>PAK-2 leads drawing

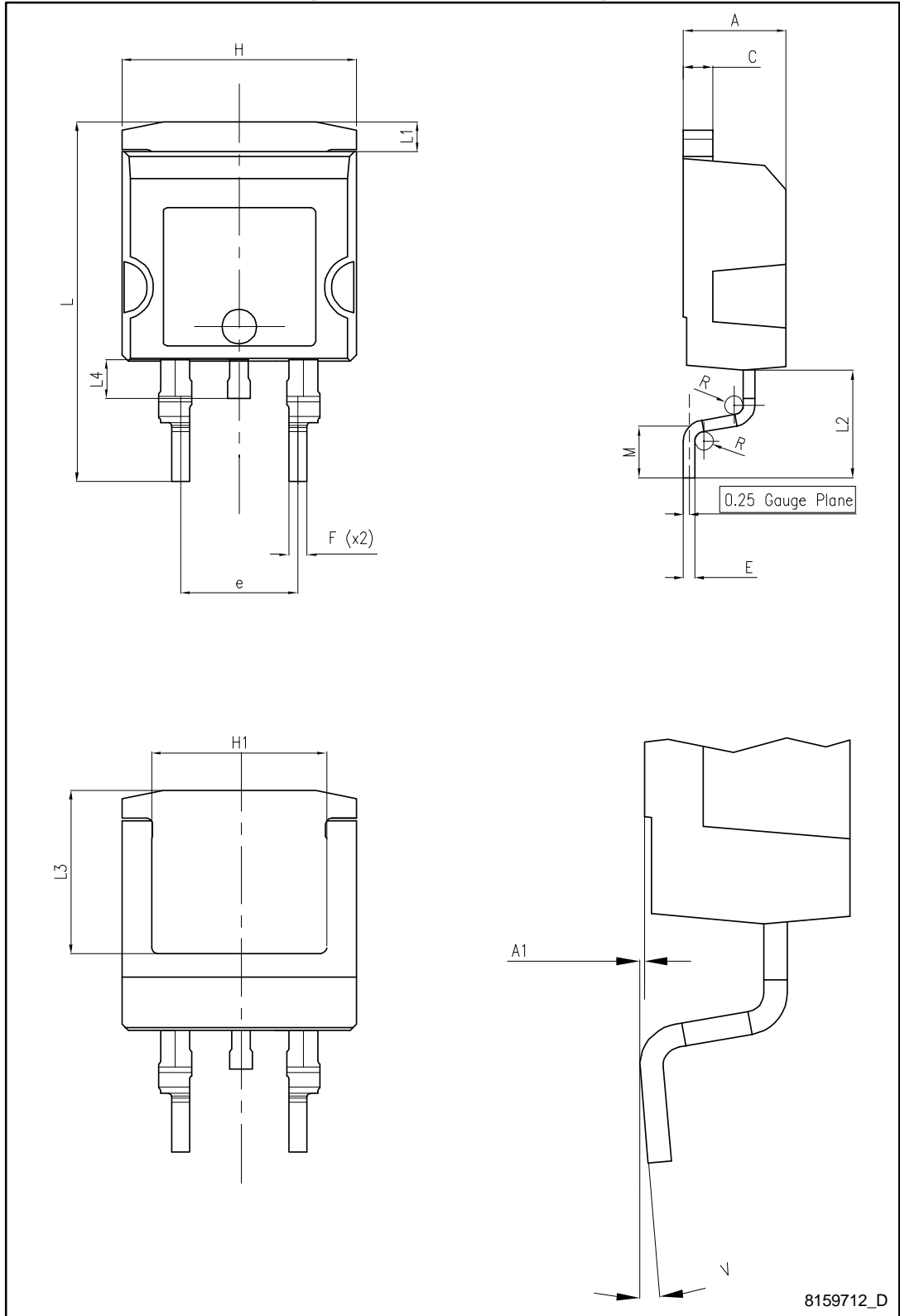
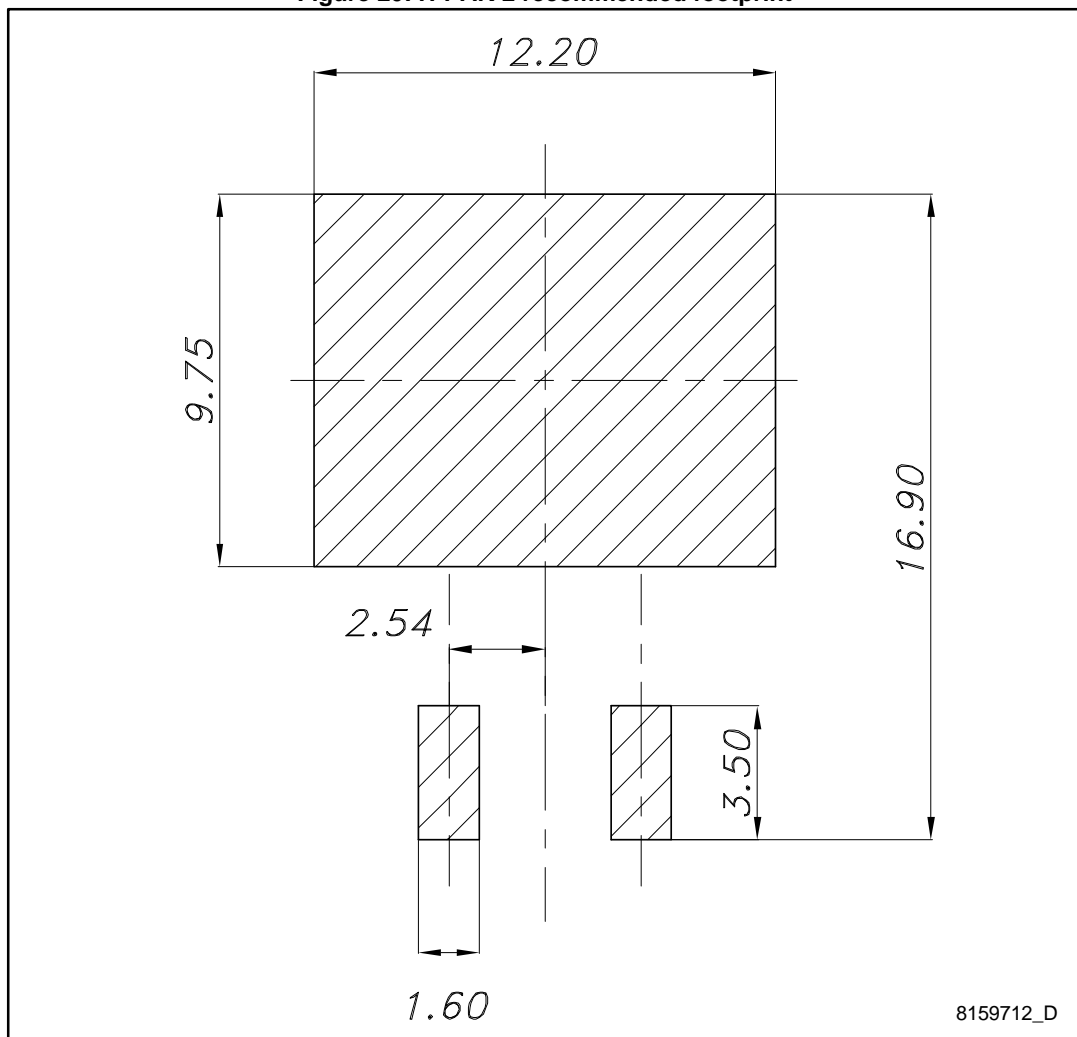


Table 8: H<sup>2</sup>PAK-2 leads mechanical data

Dim.	mm		
	Min.	Typ.	Max.
A	4.30		4.80
A1	0.03		0.20
C	1.17		1.37
e	4.98		5.18
E	0.50		0.90
F	0.78		0.85
H	10.00		10.40
H1	7.40		7.80
L	15.30		15.80
L1	1.27		1.40
L2	4.93		5.23
L3	6.85		7.25
L4	1.5		1.7
M	2.6		2.9
R	0.20		0.60
V	0°		8°

Figure 20: H<sup>2</sup>PAK-2 recommended footprint



8159712\_D

## 5 Packaging mechanical data

Figure 21: Tape

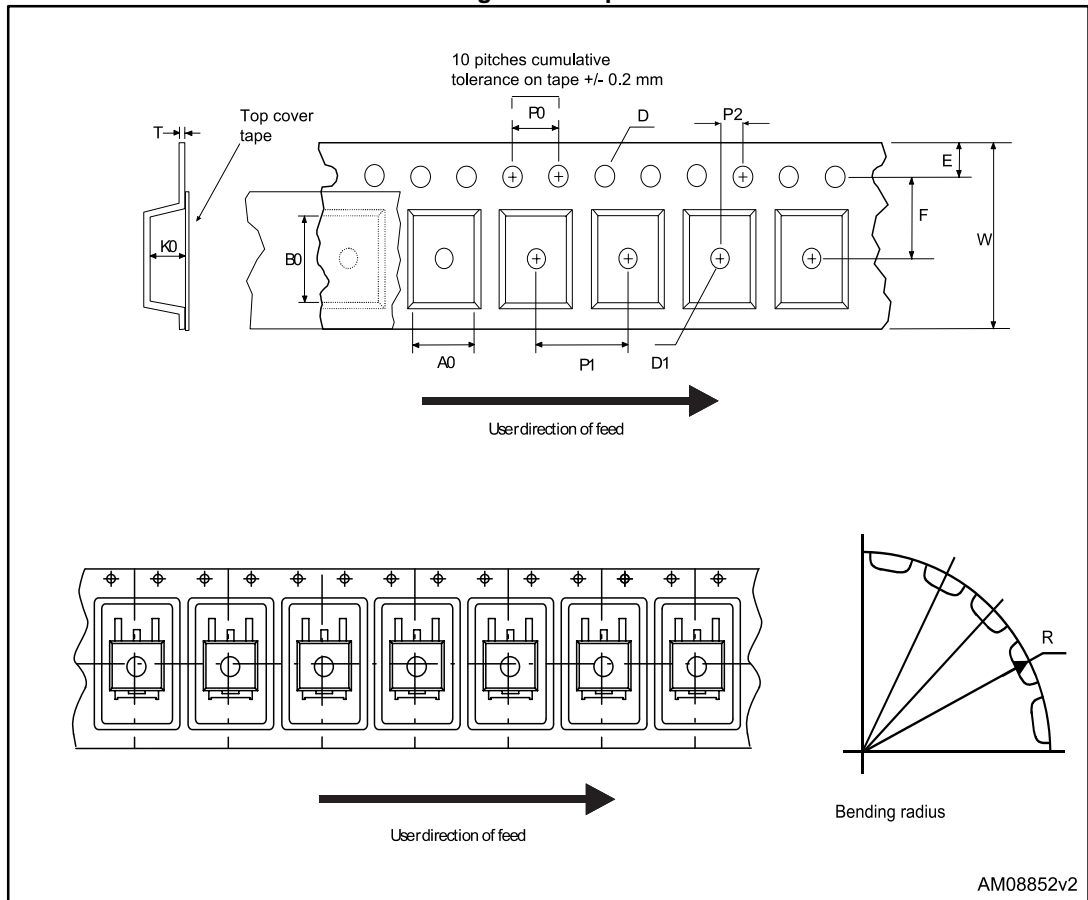


Figure 22: Reel

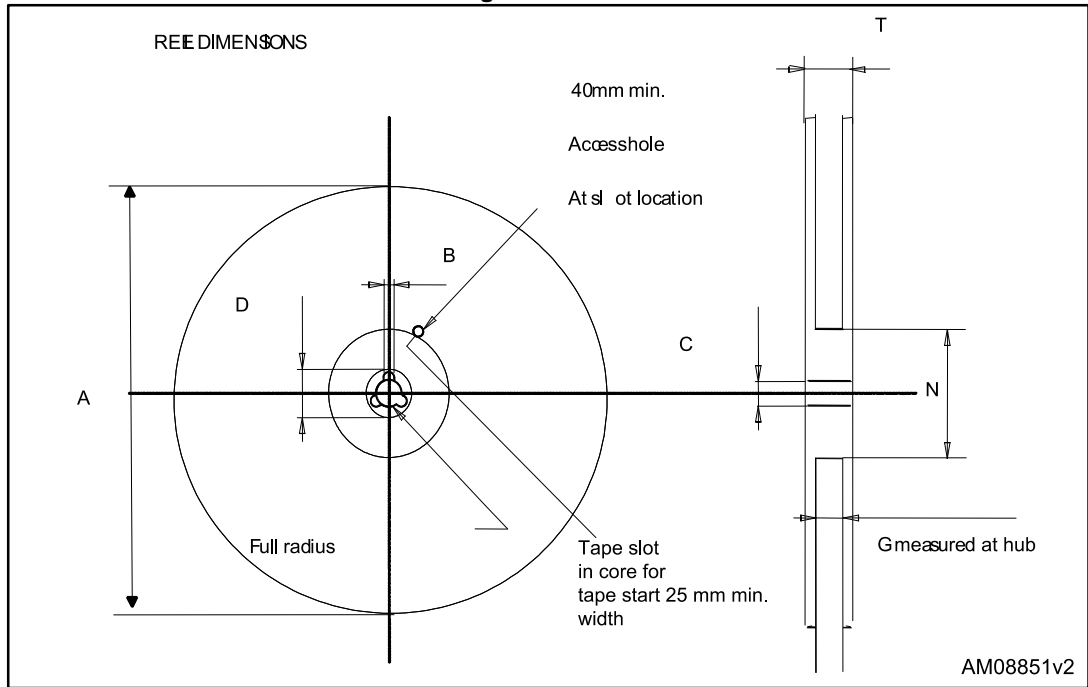


Table 9: Tape and reel mechanical data

Tape			Reel		
Dim.	mm		Dim.	mm	
	Min.	Max.		Min.	Max.
A0	10.5	10.7	A		330
B0	15.7	15.9	B	1.5	
D	1.5	1.6	C	12.8	13.2
D1	1.59	1.61	D	20.2	
E	1.65	1.85	G	24.4	26.4
F	11.4	11.6	N	100	
K0	4.8	5.0	T		30.4
P0	3.9	4.1			
P1	11.9	12.1	Base qty		1000
P2	1.9	2.1	Bulk qty		1000
R	50				
T	0.25	0.35			
W	23.7	24.3			

## 6 Revision history

**Table 10: Document revision history**

Date	Revision	Changes
25-Aug-2014	1	First release. Part numbers STF140N8F7 and STP140N8F7 previously included in the datasheet DocID023888.
10-Oct-2014	2	Updated <a href="#">Figure 3: "Thermal impedance"</a>

**IMPORTANT NOTICE – PLEASE READ CAREFULLY**

STMicroelectronics NV and its subsidiaries ("ST") reserve the right to make changes, corrections, enhancements, modifications, and improvements to ST products and/or to this document at any time without notice. Purchasers should obtain the latest relevant information on ST products before placing orders. ST products are sold pursuant to ST's terms and conditions of sale in place at the time of order acknowledgement.

Purchasers are solely responsible for the choice, selection, and use of ST products and ST assumes no liability for application assistance or the design of Purchasers' products.

No license, express or implied, to any intellectual property right is granted by ST herein.

Resale of ST products with provisions different from the information set forth herein shall void any warranty granted by ST for such product.

ST and the ST logo are trademarks of ST. All other product or service names are the property of their respective owners.

Information in this document supersedes and replaces information previously supplied in any prior versions of this document.

© 2014 STMicroelectronics – All rights reserved

## X-ON Electronics

Largest Supplier of Electrical and Electronic Components

*Click to view similar products for [MOSFET](#) category:*

*Click to view products by [STMicroelectronics](#) manufacturer:*

Other Similar products are found below :

[614233C](#) [648584F](#) [IRFD120](#) [JANTX2N5237](#) [FCA20N60\\_F109](#) [FDZ595PZ](#) [2SK2545\(Q,T\)](#) [405094E](#) [423220D](#) [TPCC8103,L1Q\(CM](#)  
[MIC4420CM-TR](#) [VN1206L](#) [SBVS138LT1G](#) [614234A](#) [715780A](#) [NTNS3166NZT5G](#) [SSM6J414TU,LF\(T](#) [751625C](#) [BUK954R8-60E](#)  
[NTE6400](#) [SQJ402EP-T1-GE3](#) [2SK2614\(TE16L1,Q\)](#) [2N7002KW-FAI](#) [DMN1017UCP3-7](#) [EFC2J004NUZTDG](#) [ECH8691-TL-W](#)  
[FCAB21350L1](#) [P85W28HP2F-7071](#) [DMN1053UCP4-7](#) [NTE221](#) [NTE2384](#) [NTE2903](#) [NTE2941](#) [NTE2945](#) [NTE2946](#) [NTE2960](#) [NTE2967](#)  
[NTE2969](#) [NTE2976](#) [NTE455](#) [NTE6400A](#) [NTE2910](#) [NTE2916](#) [NTE2956](#) [NTE2911](#) [DMN2080UCB4-7](#) [TK10A80W,S4X\(S](#)  
[SSM6P69NU,LF](#) [DMP22D4UFO-7B](#) [DMN1006UCA6-7](#)