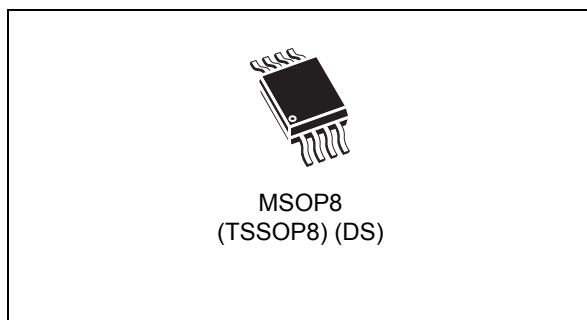


Quintuple, ultralow voltage supervisor with push-button reset

Datasheet - production data



- 600 mV internal reference
- $\overline{\text{RST}}$ output (open drain)
- Output guaranteed for $V_{\text{CC}} \geq 0.8 \text{ V}$
- Reset delay time (t_{REC}) on power-up: 210 ms (typ)
- Manual reset input ($\overline{\text{MR}}$)
- Low supply current of 12 μA (typ)
- Power supply voltage 0.8 V to 5.5 V
- RoHS compliant (green package)
- 8-pin MSOP/TSSOP
- Operating temperature: $-40 \text{ }^\circ\text{C}$ to $85 \text{ }^\circ\text{C}$ (industrial grade)

Features

- Quintuple voltage monitoring
- Accurate $\pm 1.8 \%$ across temperature voltage threshold ($\pm 1 \%$ at $25 \text{ }^\circ\text{C}$)
- Primary supply (V_{CC}) monitor. Fixed (factory-programmed) reset thresholds: 3.078 V to 2.866 V
- Second fixed ($V_{2\text{IN}}$) monitor. Fixed (factory-programmed) reset thresholds: 2.333 V to 1.050 V
- Three additional adjustable supply monitor inputs (externally adjustable)

Applications

- Set-top boxes
- Multi-voltage systems
- Cable/satellite applications
- Computer systems
- Data storage equipment

Table 1. Device summary⁽¹⁾

Order code	V_{RST1} (V)	V_{RST2} (V)	t_{REC} (ms)	Package
STM6905TZEDS6F	3.078	2.333	210	MSOP8 (TSSOP8)
STM6905TWEDS6F		1.683		
STM6905TGEDS6F		1.110		
STM6905SYEDS6F	2.955	2.188		
STM6905SFEDS6F		1.050		
STM6905PWEDS6F	2.866	1.683		

1. Other reset threshold voltages and t_{REC} time-out periods are offered. Contact local ST sales office for availability.

Contents

1	Description	5
2	Pin descriptions	7
2.1	Push-button reset input ($\overline{\text{MR}}$)	7
2.2	V_{CC} primary supply voltage monitoring input	7
2.3	V2IN second fixed voltage monitoring input	7
2.4	V_{SS}	7
2.5	V3IN, V4IN, and V5IN	7
2.6	$\overline{\text{RST}}$ active-low, open drain reset output	7
3	Operation	9
3.1	Setting the adjustable voltage levels for V3IN, V4IN, and V5IN inputs . . .	9
3.2	Power on reset (t_{REC})	9
4	Voltage monitoring	10
5	Maximum rating	11
6	DC and AC parameters	12
7	Package information	14
8	Part numbering	16
9	Package marking information	17
10	Revision history	18

List of tables

Table 1.	Device summary	1
Table 2.	Signal names and functions	6
Table 3.	Absolute maximum ratings	11
Table 4.	DC and AC characteristics	12
Table 5.	TSSOP8 3 mm x 3 mm, package mechanical data	15
Table 6.	Ordering information scheme	16
Table 7.	Marking description.	17
Table 8.	Document revision history	18

List of figures

Figure 1.	Logic diagram	5
Figure 2.	MSOP/TSSOP-8 connections.	5
Figure 3.	Functional block diagram	8
Figure 4.	Typical hardware hookup application diagram	8
Figure 5.	MR timing waveforms	10
Figure 6.	Voltage monitoring diagram	10
Figure 7.	TSSOP8 3 mm x 3 mm, package mechanical outline.	15

1 Description

The STM6905 supervisor is a low voltage/low supply current processor supervisor, designed to monitor up to five system power supply voltages. This device is targeted at applications such as set-top boxes (STBs), portable, battery-powered systems, networking and communication systems.

The device supports a push-button type manual reset input (\overline{MR}). Two of the five supply monitors (V_{CC} and $V2IN$) have fixed (customer-selectable, factory-trimmed) thresholds (V_{RST1} and V_{RST2}). The other three voltage monitor inputs ($V3IN$, $V4IN$ and $V5IN$) are monitored using externally adjustable threshold (600 mV internal reference) to meet specific level requirements.

If any of the five monitored voltages drops below its factory-trimmed or adjustable thresholds, or if the \overline{MR} is asserted to logic low, the reset output \overline{RST} is asserted (driven low). Once asserted, \overline{RST} is maintained low for a minimum delay period (t_{REC}) after ALL monitored supplies rise above their respective thresholds and \overline{MR} returns to high. The reset output logic state is valid for V_{CC} greater than 0.8 V.

The STM6905 is available in a standard 8-lead MSOP (TSSOP) package.

Figure 1. Logic diagram

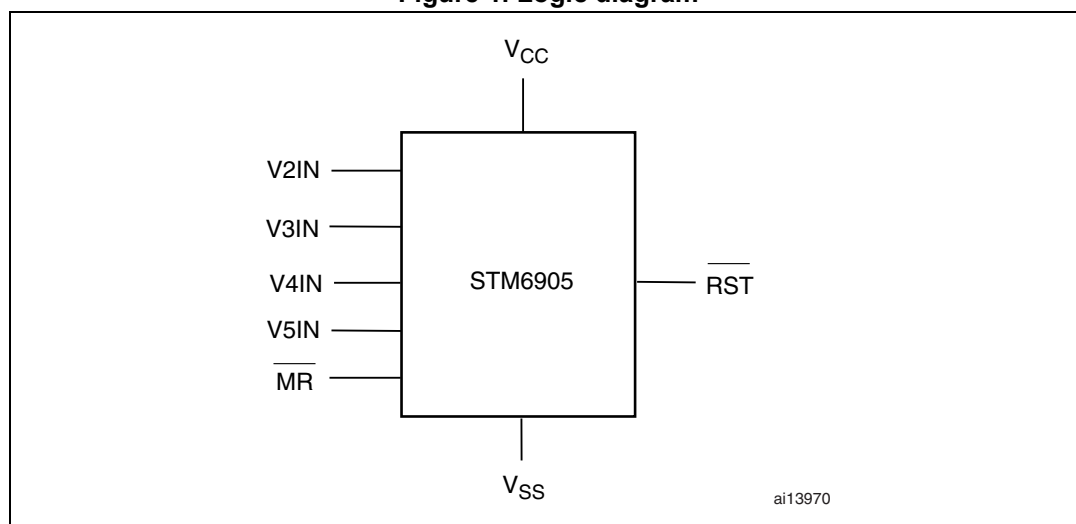


Figure 2. MSOP/TSSOP-8 connections

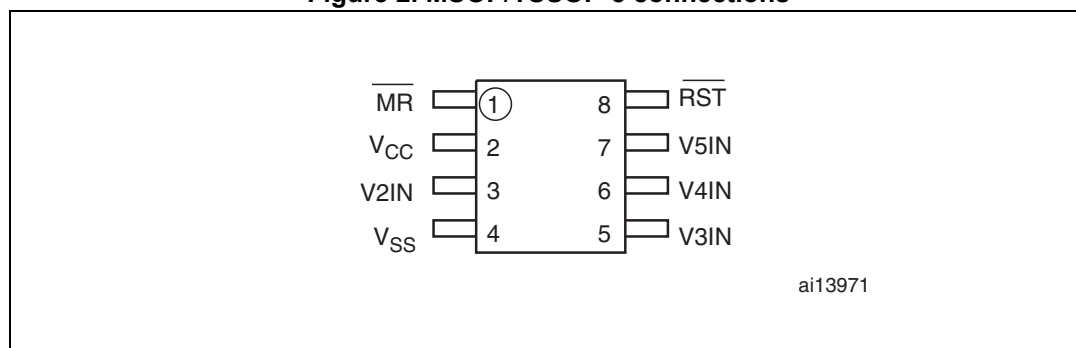


Table 2. Signal names and functions

Pin	Name	Type	Function
1	$\overline{\text{MR}}$	Input	Active-low manual reset input with internal pull-up resistor
2	V_{CC}	Supply	Primary supply voltage input and integrated fixed threshold under-voltage monitor
3	V2IN	Input	Second fixed threshold input monitor
4	V_{SS}	Supply	Ground
5	V3IN	Input	Adjustable third reset comparator input
6	V4IN		Adjustable fourth reset comparator input
7	V5IN		Adjustable fifth reset comparator input
8	$\overline{\text{RST}}$	Output	Active-low open-drain reset output (10 k Ω internal pull-up)

2 Pin descriptions

2.1 Push-button reset input ($\overline{\text{MR}}$)

When $\overline{\text{MR}}$ goes low the $\overline{\text{RST}}$ output is driven low. $\overline{\text{RST}}$ remains low as long as $\overline{\text{MR}}$ is low and for the t_{REC} after $\overline{\text{MR}}$ returns to high. The active-low input has an internal 10 k Ω pull-up resistor to V_{CC} . It can be driven from a TTL or CMOS logic line, or with open drain/collector outputs, or connected to V_{SS} through a switch. If unused, leave this pin open or connect it to V_{CC} .

Connect a normally open momentary switch from $\overline{\text{MR}}$ to V_{SS} . An external debounce circuitry is not required (if $\overline{\text{MR}}$ is driven from long cables or if the device is used in noisy environments, connecting a 0.1 μF capacitor from $\overline{\text{MR}}$ to V_{SS} provides additional noise immunity).

2.2 V_{CC} primary supply voltage monitoring input

The V_{CC} pin is also the input for the primary reset threshold monitor. Fixed (customer-selectable, factory programmed) reset thresholds include 3.078 V to 2.866 V.

2.3 $V2\text{IN}$ second fixed voltage monitoring input

The $V2\text{IN}$ input is the second fixed-voltage input for reset threshold monitoring. Available fixed (customer-selectable, factory programmed) reset thresholds include 2.333 V to 1.050 V.

2.4 V_{SS}

This pin is the ground pin for the power supply.

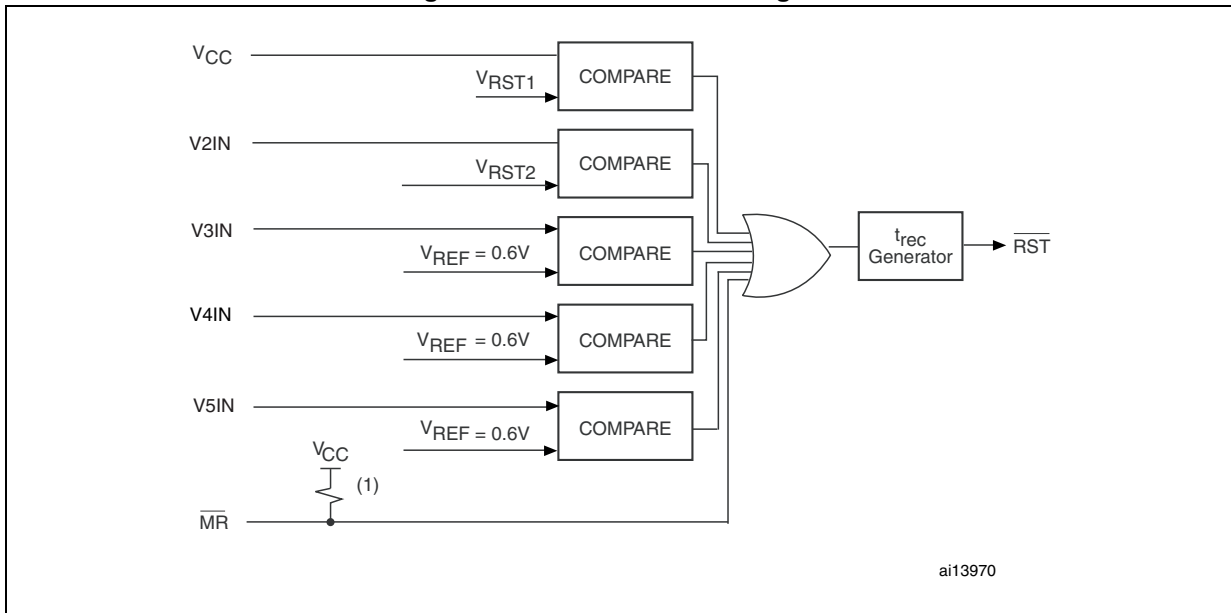
2.5 $V3\text{IN}$, $V4\text{IN}$, and $V5\text{IN}$

The $V3\text{IN}$, $V4\text{IN}$ and $V5\text{IN}$ are high impedance inputs. $\overline{\text{RST}}$ is driven low when the voltage (V_{TRIP}) at the pin falls below 600 mV (internal reference voltage at their respective comparators). The monitored voltage reset threshold is set with an external resistor-divider network.

2.6 $\overline{\text{RST}}$ active-low, open drain reset output

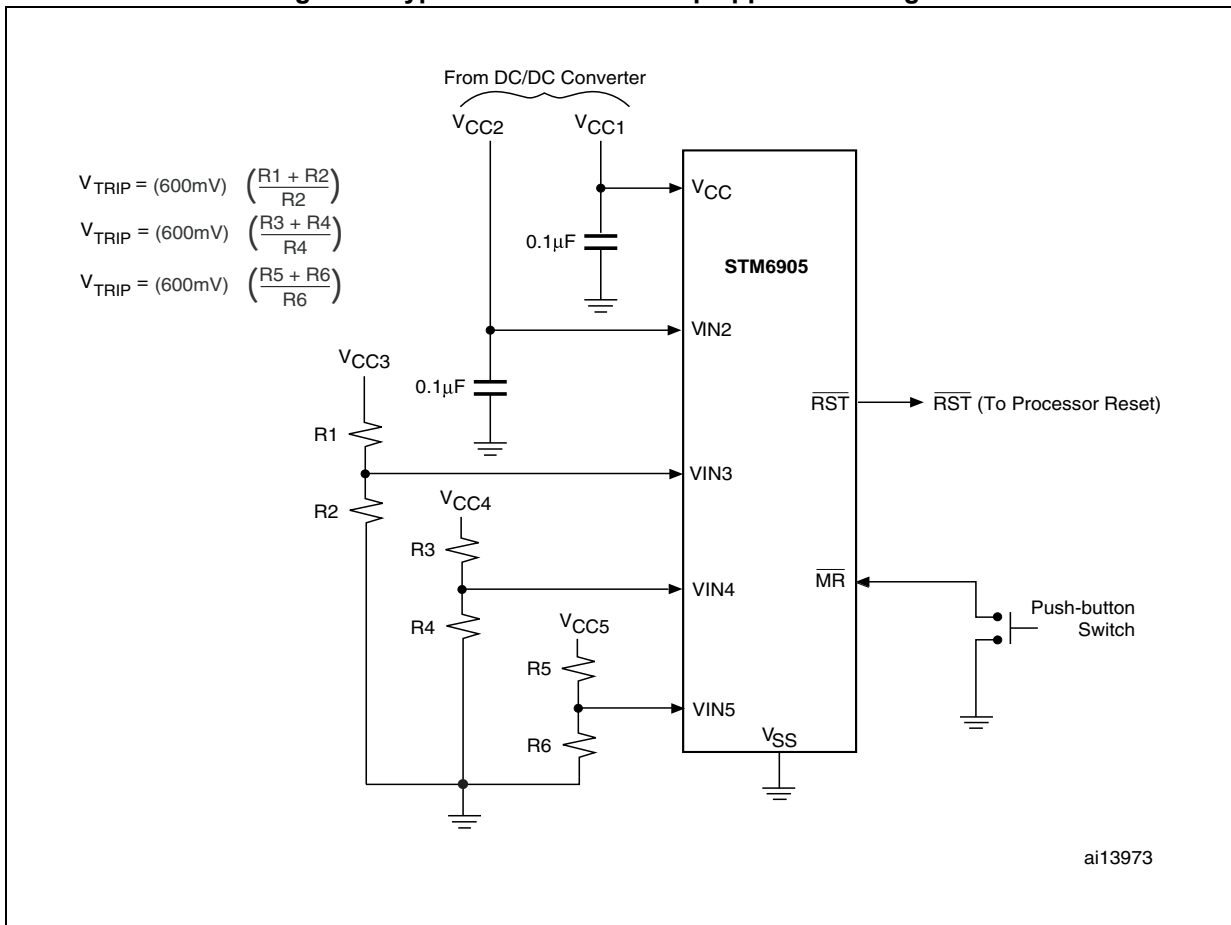
The reset output ($\overline{\text{RST}}$) pin is driven low and stays low whenever V_{CC} or $V2\text{IN}$, or $V3\text{IN}$, or $V4\text{IN}$, or $V5\text{IN}$ falls below its factory-trimmed or adjustable reset threshold or when $\overline{\text{MR}}$ goes to logic low. It remains low for t_{REC} after all supply voltages being monitored rise above their reset thresholds and $\overline{\text{MR}}$ goes from low to high. Connect an external pull-up resistor to V_{CC} . A 10 k Ω pull-up resistor should be sufficient for most applications.

Figure 3. Functional block diagram



1. Internal pull-up on MR input of 10 kΩ (typ).

Figure 4. Typical hardware hookup application diagram



3 Operation

The STM6905 can monitor critical voltages such as power-supply and battery voltage levels, while interfacing easily with the system controllers/microprocessors.

Figure 4 shows the typical hardware hookup for monitoring five voltages: two fixed thresholds (customer-selectable, factory-programmed) and three adjustable monitor inputs. The \overline{RST} output is open drain and requires a 10 k Ω pull-up resistor tied to V_{CC} .

3.1 Setting the adjustable voltage levels for V3IN, V4IN, and V5IN inputs

The user can customize the minimum voltage levels for the three adjustable voltage inputs by connecting an external resistor divider network to the V3IN, V4IN and V5IN pins in order to set the trip point at some voltage above the 600 mV (V_{REF}) according to the following formula.

$$V_{TRIP} = 0.6 V \times \frac{R1 + R2}{R2}$$

During normal operation, the STM6905 monitors the voltage levels at all five pins (V_{CC} , V2IN, V3IN, V4IN, and V5IN).

3.2 Power on reset (t_{REC})

On power up, the STM6905 activates a power-on reset circuit which asserts the reset pin (i.e. \overline{RST} goes low). The \overline{RST} signal remains active until V_{CC} (and V2IN, V3IN, V4IN, V5IN, and \overline{MR}) rises above the minimum voltage level for the time period t_{REC} thereby ensuring that the supply voltage has stabilized to sufficient operating levels.

4 Voltage monitoring

Figure 5. $\overline{\text{MR}}$ timing waveforms

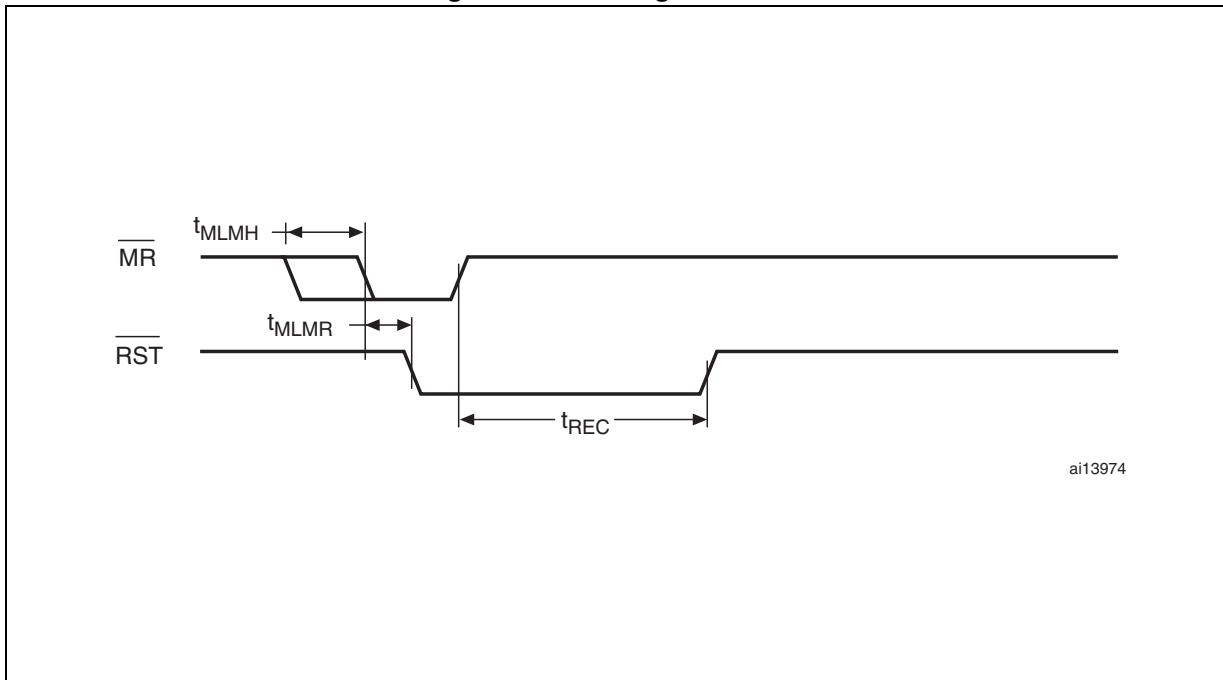
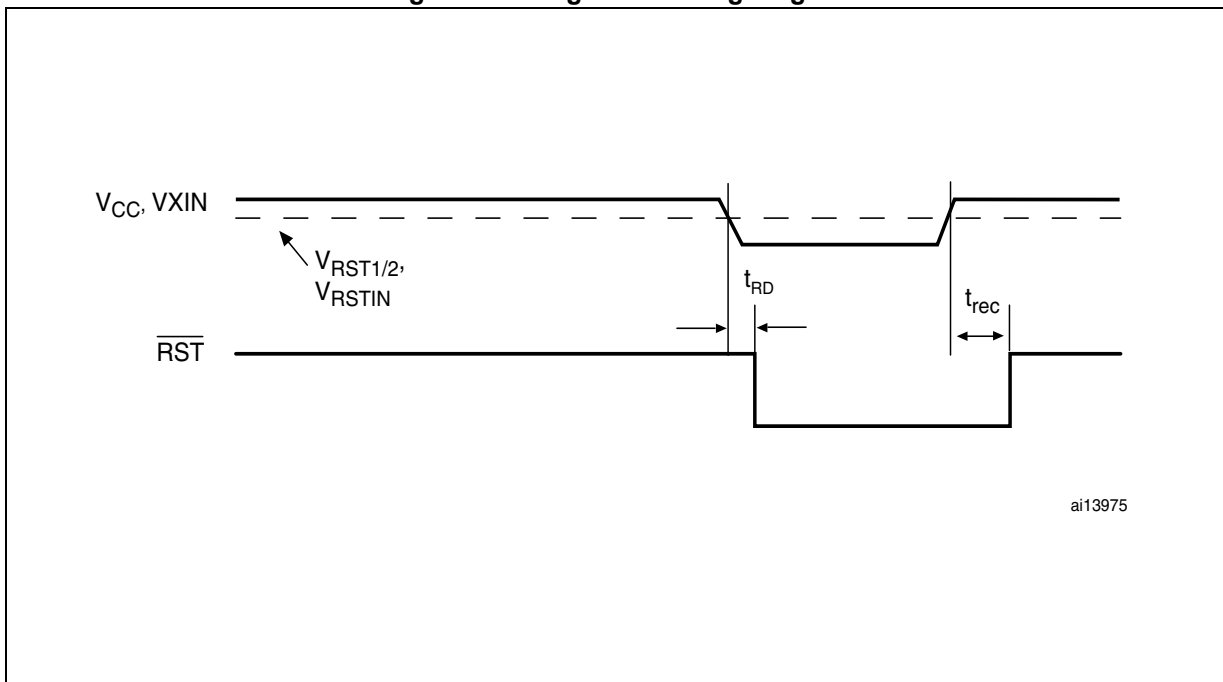


Figure 6. Voltage monitoring diagram



5 Maximum rating

Stressing the device above the ratings listed in the “Absolute maximum ratings” table may cause permanent damage to the device. These are stress ratings only and operation of the device at these or any other conditions above those indicated in the Operating sections of this specification is not implied. Exposure to absolute maximum rating conditions for extended periods may affect device reliability. Refer also to the STMicroelectronics SURE program and other relevant quality documents.

Table 3. Absolute maximum ratings

Symbol	Parameter	Value	Unit
T_{STG}	Storage temperature (V_{CC} off)	-55 to +150	°C
$T_{SLD}^{(1)}$	Lead solder temperature for 10 seconds	260	
V_{IO}	Input or output voltage	-0.3 to $V_{CC} + 0.3$	V
V_{CC}	Supply voltage	-0.3 to 7.0	
I_O	Output current	20	mA
θ_{JA}	Thermal resistance (junction to ambient)	146	°C/W

1. Reflow at peak temperature of 255 °C to 260 °C for < 30 seconds (total thermal budget not to exceed 180 °C for between 90 to 150 seconds).

6 DC and AC parameters

This section summarizes the operating measurement conditions and the DC and AC characteristics of the device. Designers should check that the operating conditions in their circuit match the operating conditions when relying on the quoted parameters.

Table 4. DC and AC characteristics

Symbol	Alternative	Description	Test condition ⁽¹⁾	Min	Typ	Max	Unit
V _{CC}		Operating voltage		0.8		5.5	V
I _{CC}		V _{CC} supply current	V _{CC} < 5.5 V		12	16	μA
			V _{CC} = 3.3 V		11	15	
I _{2IN}		V _{2IN} supply current	V _{2IN} = 3.3 V		3	5	
I _{LI}		Input leakage current (MR) ⁽²⁾	V _{IN} = V _{CC} or V _{SS}	-0.5		+0.5	
I _{LO} ⁽³⁾		Open drain RST output leakage current	V _{CC} > VRST, RST not asserted	-0.5		+0.5	
V _{OL}		Output low voltage (RST, open drain)	V _{CC} ≥ 0.8 V, I _{SINK} = 1 μA			0.3	V
			V _{CC} ≥ 1.0 V, I _{SINK} = 50 μA			0.3	
			V _{CC} ≥ 1.2 V, I _{SINK} = 100 μA			0.3	
			V _{CC} ≥ 2.7 V, I _{SINK} = 1.2 mA			0.3	
			V _{CC} ≥ 4.5 V, I _{SINK} = 3.2 mA			0.4	
V _{RST1} ⁽⁴⁾	V _{TH1}	V _{CC} reset threshold	T (falling)	25 °C	3.047	3.078	3.109
				-40 °C to 85 °C	3.023		3.133
			S (falling)	25 °C	2.925	2.955	2.985
				-40 °C to 85 °C	2.902		3.008
			P (falling)	25 °C	2.837	2.866	2.895
				-40 °C to 85 °C	2.814		2.918
V _{RST2} ⁽⁴⁾	V _{TH2}	V _{2IN} reset threshold	Z (falling)	25 °C	2.310	2.333	2.356
				-40 °C to 85 °C	2.291		2.375
			Y (falling)	25 °C	2.166	2.188	2.210
				-40 °C to 85 °C	2.149		2.227
			W (falling)	25 °C	1.666	1.683	1.700
				-40 °C to 85 °C	1.653		1.713
			G (falling)	25 °C	1.099	1.110	1.121
				-40 °C to 85 °C	1.090		1.130
			F (falling)	25 °C	1.040	1.050	1.061
				-40 °C to 85 °C	1.031		1.069

Table 4. DC and AC characteristics (continued)

Symbol	Alternative	Description	Test condition ⁽¹⁾	Min	Typ	Max	Unit
V _{HYST}		Reset threshold hysteresis	Referenced to V _{RST1} /V _{RST2} typical		0.5		%
t _{RD}		V _{CC} to $\overline{\text{RST}}$ delay	V _{CC} = (V _{RST1} + 100 mV) to (V _{RST1} - 100 mV)		20		μs
			V _{2IN} = (V _{RST2} + 75 mV) to (V _{RST2} - 75 mV)		20		
t _{REC}	t _{RP}	$\overline{\text{RST}}$ time-out period	Option B ⁽⁵⁾	20	30	40	ms
			Option C ⁽⁵⁾	80	120	180	
			Option E	140	210	280	
			Option F ⁽⁵⁾	280	420	560	
Adjustable reset comparator input (V3IN, V4IN, V5IN)							
V _{RSTIN}		V3IN, V4IN, V5IN input threshold		589	600	611	mV
I _{RSTIN}		V3IN, V4IN, V5IN input current	V3IN, V4IN, V5IN > 0.8 V	-25		+25	nA
		V3IN, V4IN, V5IN hysteresis			3		mV
t _{RSTIND}		V3IN, V4IN, V5IN to $\overline{\text{RST}}$ output delay	V _{RSTIN} to (V _{RSTIN} - 30 mV)		22		μs
Manual (push-button) reset input							
V _{IL}		$\overline{\text{MR}}$ input voltage		0.7 x V _{CC}		0.3 x V _{CC}	V
V _{IH}							
t _{MLMH}	t _{MR}	$\overline{\text{MR}}$ minimum pulse width		1			μs
t _{MLRL}	t _{MRD}	$\overline{\text{MR}}$ to $\overline{\text{RST}}$ output delay			200		ns
		$\overline{\text{MR}}$ glitch immunity			100		
		$\overline{\text{MR}}$ pull-up resistance			10		kΩ

- Valid for ambient operating temperature: T_A = -40 °C to +85 °C; V_{CC} = 0.8 V to 5.5 V (except where noted).
- 10 kΩ (typ) internal pull-up resistor.
- The leakage current measured on the $\overline{\text{RST}}$ pin is tested with the reset de-asserted (output high impedance).
- Other reset threshold voltages are offered. Minimum order quantities may apply. Contact local sales office for availability.
- Other t_{REC} time-out periods are offered. Minimum order quantities may apply. Contact local sales office for availability.

7 Package information

In order to meet environmental requirements, ST offers these devices in different grades of ECOPACK[®] packages, depending on their level of environmental compliance. ECOPACK[®] specifications, grade definitions and product status are available at: www.st.com. ECOPACK[®] is an ST trademark.

Figure 7. TSSOP8 3 mm x 3 mm, package mechanical outline

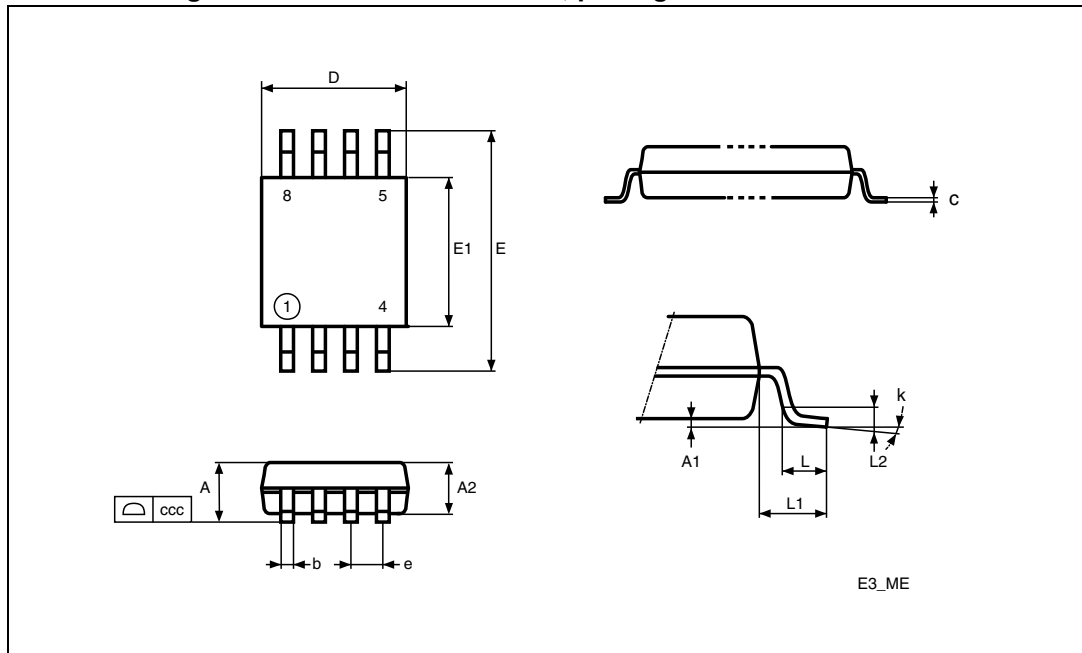


Table 5. TSSOP8 3 mm x 3 mm, package mechanical data

Symbol	mm			inches		
	Min	Typ	Max	Min	Typ	Max
A			1.100			0.043
A1	0.00		0.15	0.000		0.006
A2	0.75	0.85	0.95	0.030	0.034	0.037
b	0.22		0.40	0.009		0.016
c	0.08		0.23	0.003		0.009
ccc			0.10			0.004
D	2.80	3.00	3.20	0.110	0.118	0.126
e		0.65			0.026	
E	4.65	4.90	5.15	0.183	0.193	0.203
E1	2.80	3.00	3.10	0.110	0.118	0.122
L	0.40	0.60	0.80	0.016	0.024	0.032
L1		0.95			0.037	
L2		0.25			0.010	
k	0°	4	6°	0°	4	6°
N		8			8	

8 Part numbering

Table 6. Ordering information scheme

Example:	STM6905	TZ	E	DS	6	F
Device type						
STM6905						
Reset threshold voltages⁽¹⁾						
Suffix	V_{RST1}	V_{RST2}				
TZ	3.078	2.333				
TW	3.078	1.683				
TG	3.078	1.110				
SY	2.955	2.188				
SF	2.955	1.050				
PW	2.866	1.683				
t_{REC}						
B = 30 ms ⁽¹⁾						
C = 120 ms ⁽¹⁾						
E = 210 ms						
F = 420 ms ⁽¹⁾						
Package						
DS = MSOP8 (TSSOP8)						
Temperature range						
6: -40 °C to 85 °C						
Shipping method						
E = ECOPACK® package, tubes						
F = ECOPACK® package, tape and reel						

1. Other reset threshold voltages and t_{REC} time-out periods are offered. Minimum order quantities may apply. Contact local sales office for availability.

9 Package marking information

Table 7. Marking description

Part marking	V_{RST1} (V)	V_{RST2} (V)	Package	Topside marking
STM6905TZEDS6F	3.078	2.333	MSOP (TSSOP8)	STZE
STM6905TWEDS6F		1.683		STWE
STM6905TGEDS6F		1.110		STGE
STM6905SYEDS6F	2.955	2.188		SSYE
STM6905SFEDS6F		1.050		SSFE
STM6905PWEDS6F	2.866	1.683		SPWE

10 Revision history

Table 8. Document revision history

Date	Revision	Changes
19-Dec-2007	1	Initial release.
23-Jan-2008	2	Document status upgraded to full datasheet.
28-Jan-2008	3	Updated cover page, Figure 6 , and Table 4 .
20-Oct-2014	4	Small text changes to English Table 1 : updated footnote 1 Table 6 : updated the reset threshold voltage of "SY" (V_{RST2})

IMPORTANT NOTICE – PLEASE READ CAREFULLY

STMicroelectronics NV and its subsidiaries ("ST") reserve the right to make changes, corrections, enhancements, modifications, and improvements to ST products and/or to this document at any time without notice. Purchasers should obtain the latest relevant information on ST products before placing orders. ST products are sold pursuant to ST's terms and conditions of sale in place at the time of order acknowledgement.

Purchasers are solely responsible for the choice, selection, and use of ST products and ST assumes no liability for application assistance or the design of Purchasers' products.

No license, express or implied, to any intellectual property right is granted by ST herein.

Resale of ST products with provisions different from the information set forth herein shall void any warranty granted by ST for such product.

ST and the ST logo are trademarks of ST. All other product or service names are the property of their respective owners.

Information in this document supersedes and replaces information previously supplied in any prior versions of this document.

© 2014 STMicroelectronics – All rights reserved



X-ON Electronics

Largest Supplier of Electrical and Electronic Components

Click to view similar products for [Supervisory Circuits](#) category:

Click to view products by [STMicroelectronics](#) manufacturer:

Other Similar products are found below :

[CAT1161LI-25-G](#) [CAT853STBI-T3](#) [CAT1026LI-30-G](#) [CAT1320LI-25-G](#) [NCV303LSN16T1G](#) [TC54VN2402EMB713](#) [MCP1316T-44NE/OT](#) [MCP1316MT-45GE/OT](#) [MCP1316MT-23LI/OT](#) [MAX8997EWW+](#) [MAX6725AKASYD3-LF-T](#) [DS1232L](#) [NCV302HSN45T1G](#) [PT7M6130NLTA3EX](#) [PT7M7811STBEX-2017](#) [S-1000N28-I4T1U](#) [CAT1161LI-28-G](#) [MCP1321T-29AE/OT](#) [MCP1319MT-47QE/OT](#) [S-1000N23-I4T1U](#) [S-1000N19-I4T1U](#) [CAT824UTDI-GT3](#) [TC54VC2502ECB713](#) [PT7M6133NLTA3EX](#) [PT7M6127NLTA3EX](#) [VDA2510NTA](#) [AP0809ES3-r](#) [HG811RM4/TR](#) [MD7030C](#) [MD7033C](#) [MD7019](#) [MD7020](#) [MD7021](#) [MD7023](#) [MD7024](#) [MD7027](#) [MD7030](#) [MD7033](#) [MD7035](#) [MD7036](#) [MD7039](#) [MD7040](#) [MD7044](#) [MD7050](#) [MD7015](#) [MD7028](#) [MD7031](#) [MD7042](#) [MD7043](#) [MD7047](#)