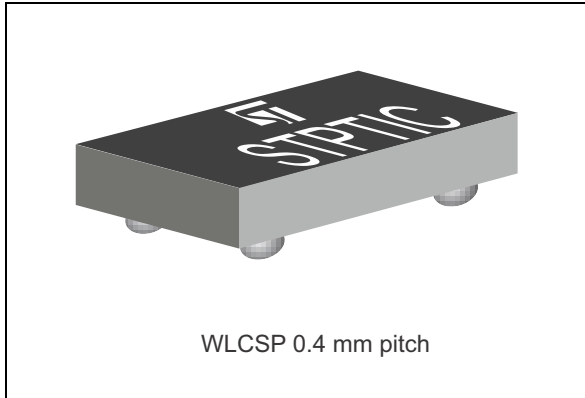


Parascan™ tunable integrated capacitor

Datasheet - production data



Features

- High power capability
- 5:1 tuning range
- High linearity
- High quality factor (Q)
- Low leakage current
- Compatible with high voltage control IC (STHVDAC series)
- Available in wafer level chip scale package:
 - WLCSP package 0.61 x 0.90 x 0.3 mm
- ECOPACK®2 compliant component

Benefit

- RF tunable passive implementation in mobile phones to optimize antenna radiated performance

Applications

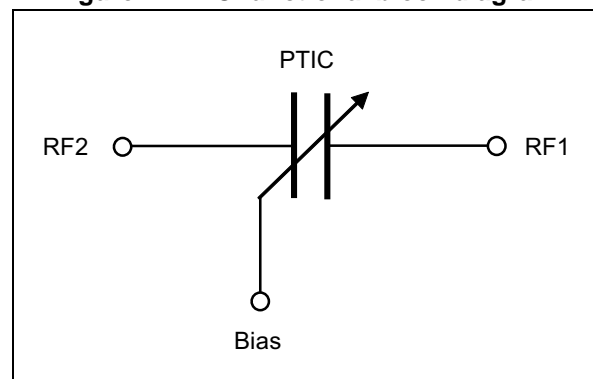
- Cellular antenna open loop tunable matching network in multi-band GSM/WCDMA/LTE mobile phone
- Open loop tunable RF filters

Description

The ST integrated tunable capacitor offers excellent RF performance, low power consumption and high linearity required in adaptive RF tuning applications. The fundamental building block of PTIC is a tunable material called Parascan™, which is a version of barium strontium titanate (BST) developed by Paratek microwave.

BST capacitors are tunable capacitors intended for use in mobile phone application and dedicated to RF tunable applications. These tunable capacitors are controlled through an extended bias voltage ranging from 1 to 24 V. The implementation of BST tunable capacitor in mobile phones enables significant improvement in terms of radiated performance making the performance almost insensitive to the external environment.

Figure 1. PTIC functional block diagram



TM: Parascan is a trademark of Paratek Microwave Inc.

1 Electrical characteristics

Table 1. Absolute maximum ratings (limiting values)

| Symbol | Parameter | Rating | Unit |
|----------------|---|-------------------------|------|
| P_{IN} | Input peak power RF_{IN} (CW mode)/all RF ports | +40 | dBm |
| $V_{ESD(HBM)}$ | Human body model, JESD22-A114-B, all I/O | Class 1B ⁽¹⁾ | V |
| $V_{ESD(MM)}$ | Machine model, JESD22-A115-A, all I/O | 100 | V |
| T_{device} | Device temperature | +125 | °C |
| T_{stg} | Storage temperature | -55 to +150 | |
| V_x | Bias voltage | 25 | V |

1. Class 1B defined as passing 500 V, but fails after exposure to 1000V ESD pulse.

Table 2. Recommended operating conditions

| Symbol | Parameter | Rating | | | Unit |
|--------------|-----------------------|--------|------|------|------|
| | | Min. | Typ. | Max. | |
| P_{IN} | RF input power | | +33 | | dBm |
| F_{OP} | Operating frequency | 700 | | 2700 | MHz |
| T_{device} | Device temperature | | | +100 | °C |
| T_{OP} | Operating temperature | -30 | | +85 | |
| V_{BIAS} | Bias voltage | 1 | | 24 | V |

Table 3. Representative performance ($T_{amb} = 25\text{ °C}$ otherwise specified)

| Symbol | Parameter | Conditions | Value | | | Unit |
|------------|-----------------------------|--|-------|------|-------|---------------|
| | | | Min | Typ | Max | |
| C_{1V} | capacitor at 1 V bias | STPTIC-82G2 | 8.54 | 9.7 | 10.86 | pF |
| C_{2V} | capacitor at 2 V bias | STPTIC-82G2 | | 8.2 | | pF |
| C_{24V} | capacitor at 24 V bias | STPTIC-82G2 | 1.53 | 1.66 | 1.79 | pF |
| ΔC | Tuning range | Ratio between C_{1V}/C_{24V} ⁽¹⁾ | 5/1 | | | |
| I_L | Leakage current | Measured with $V_{bias} = 24\text{ V}$ | | | 100 | nA |
| Q_{LB} | Quality factor | Measured at 700 MHz at 2 V | 55 | 65 | | |
| Q_{HB} | Quality factor | Measured at 2700 MHz at 2 V | 35 | 50 | | |
| IP3 | Third order intercept point | $V_{bias} = 1\text{ V}$ ⁽²⁾⁽⁴⁾ | 52 | 60 | | dBm |
| | | $V_{bias} = 24\text{ V}$ ⁽²⁾⁽⁴⁾ | | 75 | | |
| H2 | Second harmonic | $V_{bias} = 1\text{ V}$ ⁽³⁾⁽⁴⁾ | | -65 | -45 | dBm |
| | | $V_{bias} = 24\text{ V}$ ⁽³⁾⁽⁴⁾ | | -75 | | |
| H3 | Third harmonic | $V_{bias} = 1\text{ V}$ ⁽³⁾⁽⁴⁾ | | -35 | -30 | dBm |
| | | $V_{bias} = 24\text{ V}$ ⁽³⁾⁽⁴⁾ | | -65 | | |
| t_T | Transition time | Average for any transition between C_{min} to C_{max} ⁽⁵⁾ | | 40 | | μs |
| | | Average transition between C_{max} to C_{min} ⁽⁵⁾ | | 20 | | |

1. Measured at low frequency
2. $F_1 = 894\text{ MHz}$, $F_2 = 849\text{ MHz}$, $P_1 = +25\text{ dBm}$, $P_2 = +25\text{ dBm}$, $2f_1 - f_2 = 939\text{ MHz}$
3. 850 MHz , $P_{in} = +34\text{ dBm}$
4. IP3 and harmonics are measured in the shunt configuration in a $50\ \Omega$ environment
5. One or both of RF_{in} and RF_{out} must be connected to DC ground, using the HVDAC turbo mode

Figure 2. Capacitor variation versus bias voltage

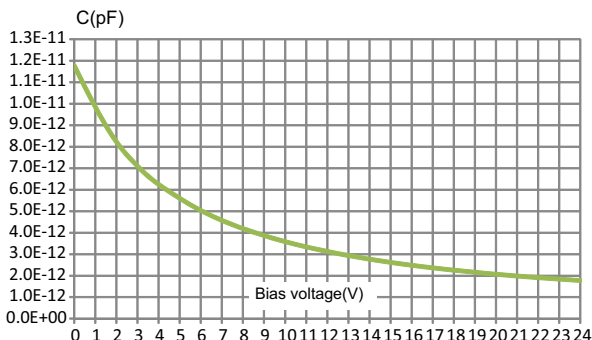


Figure 3. Quality factor versus frequency

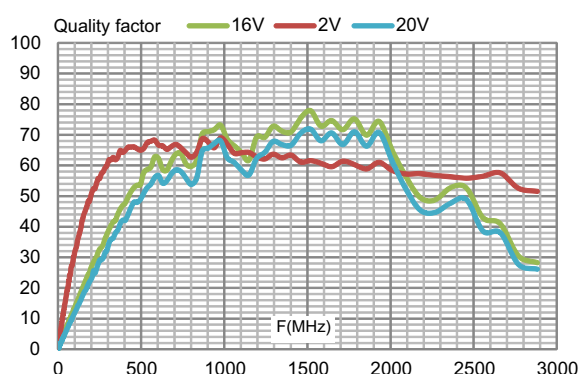


Figure 4. Harmonic power versus bias voltage (series)

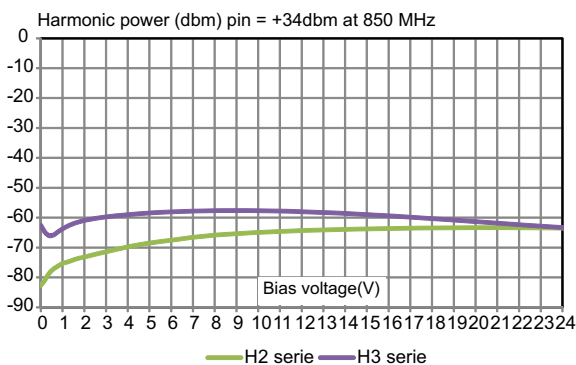


Figure 5. Harmonic power versus bias voltage (shunt)

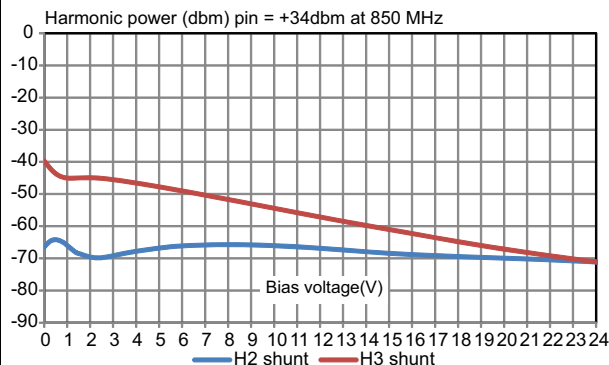
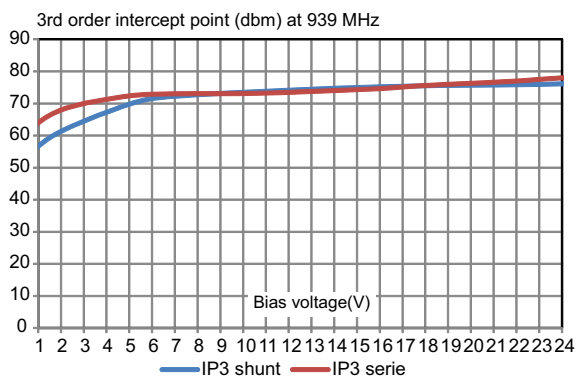


Figure 6. Third order intercept point (IP3)



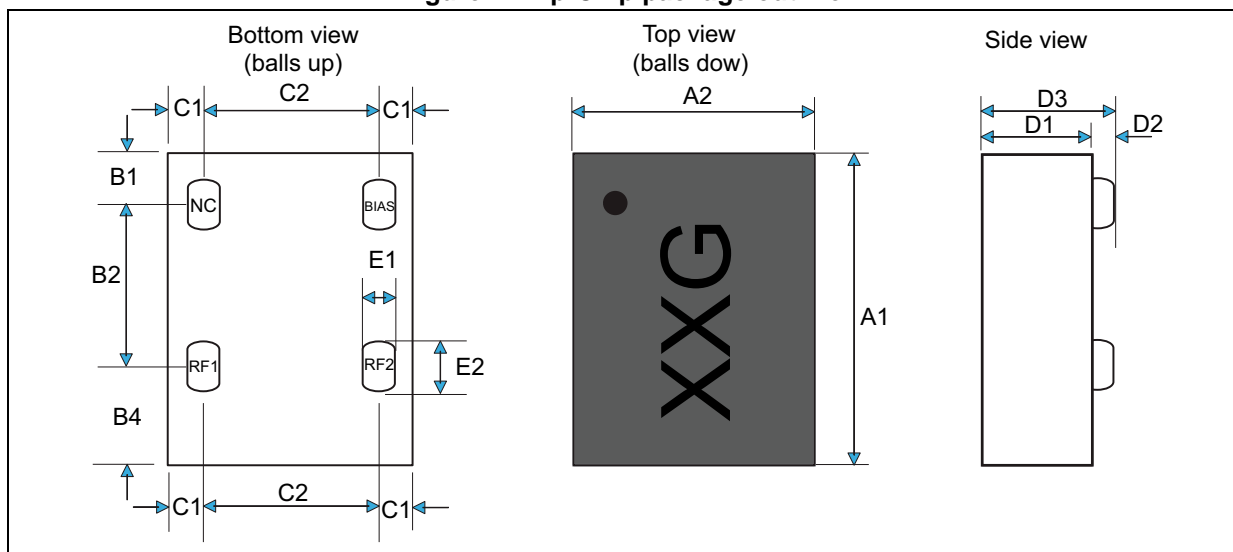
2 Package information

- Epoxy meets UL94, V0
- Lead-free package

In order to meet environmental requirements, ST offers these devices in different grades of ECOPACK® packages, depending on their level of environmental compliance. ECOPACK® specifications, grade definitions and product status are available at: www.st.com. ECOPACK® is an ST trademark.

2.1 Flip-Chip package information

Figure 7. Flip-Chip package outline



The land pattern below is recommended for soldering the STPTIC-G2 on PCB.

NC stands for No Connect, this pad must not be connected on application board. Please leave this pad floating.

Table 4. Flip-Chip package dimensions

| Dimensions (micron) | A1 | A2 | B1 | B2 | B4 | C1 | C2 | D1 | D2 | D3 | E1 | E2 |
|-------------------------|-----|-----|-----|-----|-----|-----|-----|-----|-----|-----|-----|-----|
| STPTIC-15/27/33/39/47G2 | 640 | 590 | 120 | 400 | 120 | 85 | 420 | 200 | 90 | 290 | 125 | 165 |
| STPTIC-56G2 | 710 | | | | 190 | | | | | | | |
| STPTIC-68G2 | 780 | | | | 260 | | | | | | | |
| STPTIC-82G2 | 880 | | | | 360 | | | | | | | |
| Tolerance | ±30 | ±30 | ±15 | ±10 | ±15 | ±15 | ±10 | ±20 | ±20 | ±40 | ±20 | ±20 |

Figure 8. Recommended PCB land pattern for Flip-Chip package

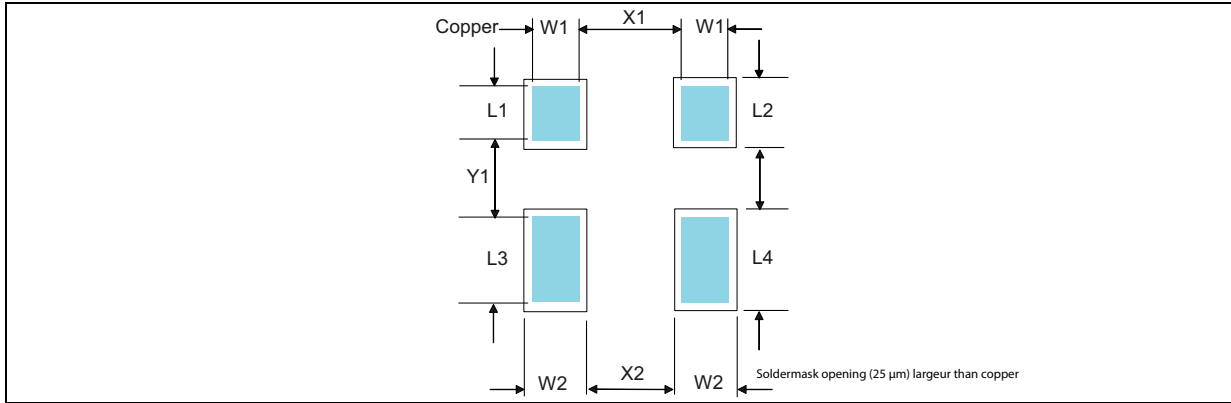


Table 5. Dimensions

| Dimensions | L1 | W1 | L3 | L2 | W2 | L4 | X1 | X2 | Y1 | Y2 |
|-------------------------|-----|-----|-----|-----|-----|-----|-----|-----|-----|-----|
| Typical values (micron) | 160 | 160 | 260 | 210 | 210 | 310 | 320 | 270 | 240 | 190 |

2.2 Packing information

Figure 9. Flip-Chip tape and reel outline

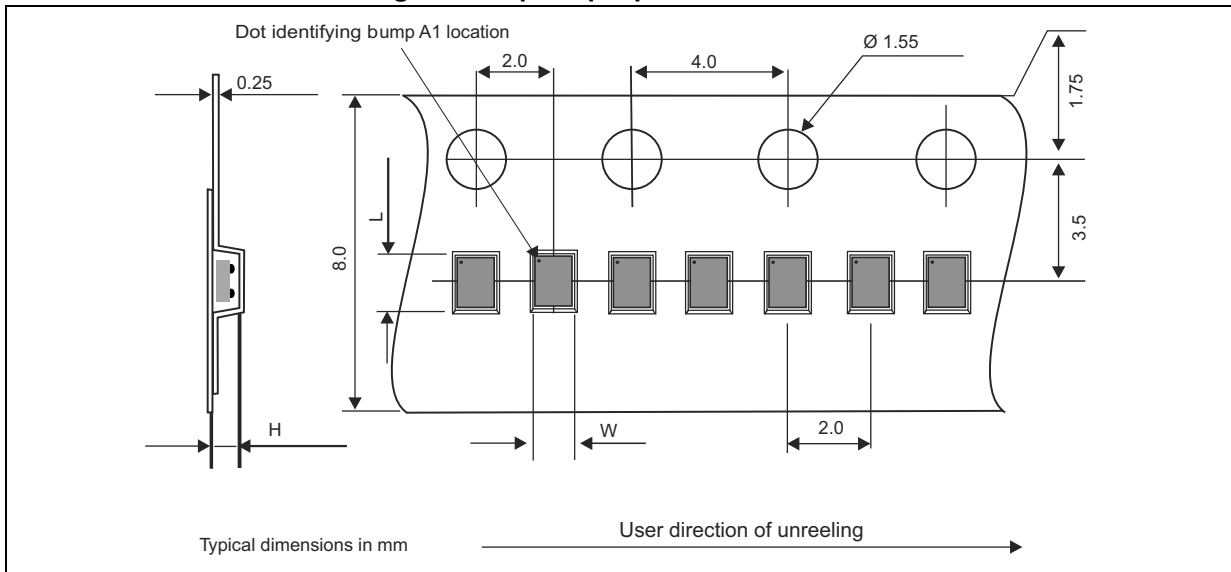


Table 6. Dimensions

| Pocket dimensions | L | W | H |
|-------------------------|-----|-----|-----|
| STPTIC-15/27/33/39/47G2 | 730 | 680 | 380 |
| STPTIC-56G2 | 800 | 680 | 380 |
| STPTIC-68G2 | 870 | 680 | 380 |
| STPTIC-82G2 | 970 | 680 | 380 |

Figure 10. Flip-Chip marking

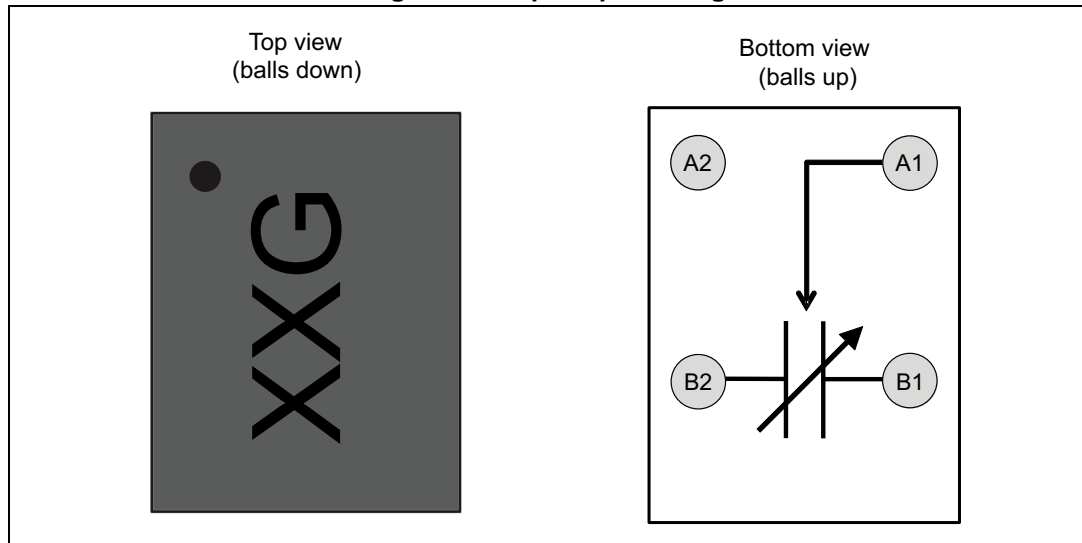


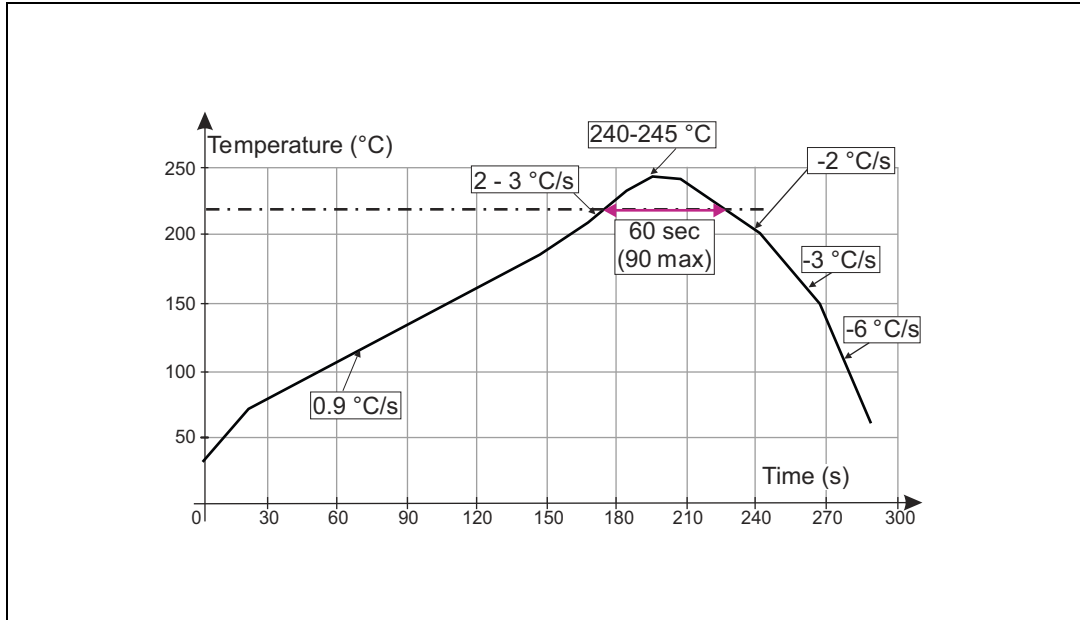
Table 7. Pinout description

| Pad / ball number | Pin name | Description |
|-------------------|----------|----------------------------------|
| A1 | DC bias | DC bias voltage |
| B1 | RF2 | RF input / output ⁽¹⁾ |
| A2 | NC | Not connected |
| B2 | RF1 | RF input / output |

1. When connected in shunt, please connect RF2 (B1 ball) to GND

3 Reflow profile

Figure 11. ST ECOPACK® recommended soldering reflow profile for PCB mounting



Note: Minimize air convection currents in the reflow oven to avoid component movement.

Table 8. Recommended values for soldering reflow

| Profile | Value | |
|---|---------------|---------|
| | Typical | Max. |
| Temperature gradient in preheat (T = 70-180 °C) | 0.9 °C/s | 3 °C/s |
| Temperature gradient (T = 200-225 °C) | 2 °C/s | 3 °C/s |
| Peak temperature in reflow | 240-245 °C | 260 °C |
| Time above 220 °C | 60 s | 90 s |
| Temperature gradient in cooling | -2 to -3 °C/s | -6 °C/s |
| Time from 50 to 220 °C | 160 to 220 s | |

4 Evaluation board

Figure 12. Series and shunt connection

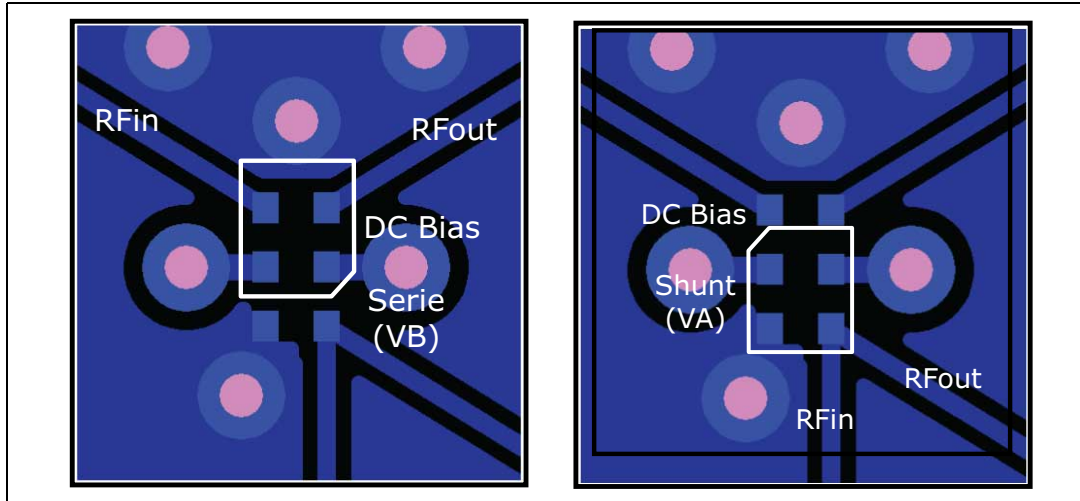


Figure 13. Layer 1 and layer 4

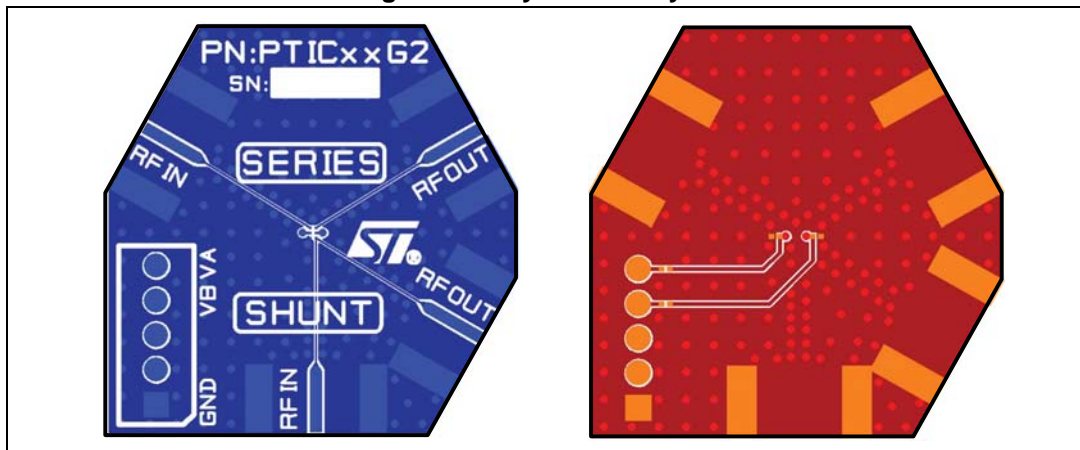
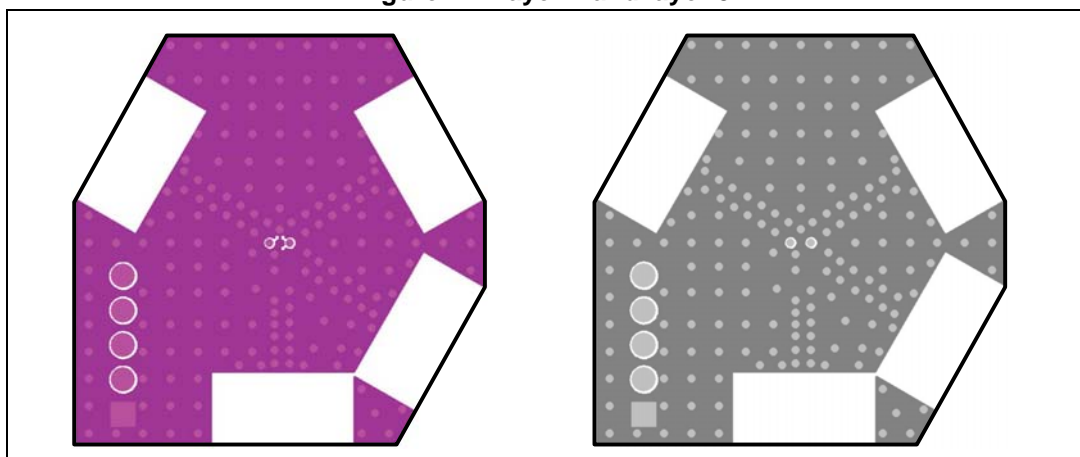


Figure 14. Layer 2 and layer 3



5 Ordering information

Figure 15. Ordering information scheme

| | | | | | | |
|------------------------|---|----------|--|---|----------------------------------|------------------------|
| ST | PTIC | - | 15 | G | 2 | C5 |
| <u>Manufacturer</u> | <u>Product family</u> | - | <u>Capacitor value</u> | <u>Linearity</u> | <u>Tuning</u> | <u>Package</u> |
| ST Microelectronics | PTIC Parascan™ tunable Integrated capacitor | | 12 = 1.2 pF 27 = 2.7 pF 33 = 3.3 pF 39 = 3.9 pF 47 = 4.7 pF 56 = 5.6 pF 68 = 6.8 pF 82 = 8.2 pF | F: Standard (x24) G: Standard (x24) L: High (x48) | 1 = 4/1 tuning 2 = 5/1 tuning | M6 : QFN C5 : WLCSP |

Table 9. Ordering information

| Part number | Marking | Base qty | Package | Delivery mode |
|---------------|---------|----------|-----------|---------------|
| STPTIC-82G2C5 | 82G | 15 000 | Flip-Chip | Tape and reel |

6 Revision history

Table 10. Document revision history

| Date | Revision | Changes |
|-------------|----------|------------------|
| 09-Jul-2015 | 1 | Initial release. |

IMPORTANT NOTICE – PLEASE READ CAREFULLY

STMicroelectronics NV and its subsidiaries (“ST”) reserve the right to make changes, corrections, enhancements, modifications, and improvements to ST products and/or to this document at any time without notice. Purchasers should obtain the latest relevant information on ST products before placing orders. ST products are sold pursuant to ST’s terms and conditions of sale in place at the time of order acknowledgement.

Purchasers are solely responsible for the choice, selection, and use of ST products and ST assumes no liability for application assistance or the design of Purchasers’ products.

No license, express or implied, to any intellectual property right is granted by ST herein.

Resale of ST products with provisions different from the information set forth herein shall void any warranty granted by ST for such product.

ST and the ST logo are trademarks of ST. All other product or service names are the property of their respective owners.

Information in this document supersedes and replaces information previously supplied in any prior versions of this document.

© 2015 STMicroelectronics – All rights reserved



X-ON Electronics

Largest Supplier of Electrical and Electronic Components

Click to view similar products for [Trimmer/Variable Capacitors](#) category:

Click to view products by [STMicroelectronics](#) manufacturer:

Other Similar products are found below :

[GKY20086](#) [GNC8R050](#) [GXA18000](#) [GXA36000](#) [GXC90000](#) [GXE5R000NM](#) [GXL10000](#) [GZN60100](#) [PC50H230](#) [PC50J110](#) [PC51H230](#)
[GDT40026](#) [GKU90020](#) [GNR4R550](#) [GNR8R050](#) [GXL15000](#) [538-011 D 9-35LF](#) [PC39G520](#) [STPTIC-56G2C5](#) [27271LSL](#) [27281SL](#)
[STPTIC-82G2C5](#) [27283-3R10](#) [GNL8R050](#) [GYB5R000](#) [0538-006-F-15.0-60LF](#) [GXL18000](#) [GHC5R500](#) [GZD80000](#) [TP11G](#) [KT1SD](#) [KF8](#)
[KP8](#) [KM8](#) [KG8](#) [KJ8](#) [KT8](#) [KG10](#) [KP10](#) [KF10](#) [KJ10](#) [KM10](#) [TP42C](#) [NMAJ25HV](#) [KF4SD](#) [KJ1SD](#) [KP1SD](#) [KM4SD](#) [KT4SD](#) [KP4SD](#)