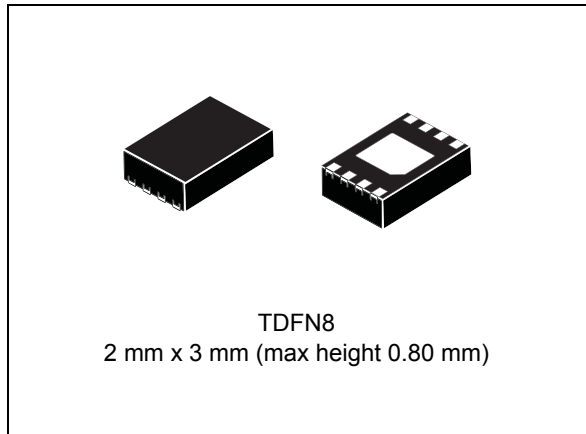


2.3 V memory module temperature sensor

Datasheet - production data



- Does not initiate clock stretching
- Supports SMBus timeout 25 ms - 35 ms
- Spike suppression filters on the two-wire bus inputs
- Voltage hysteresis per I²C specs on the two-wire bus inputs
- 2 mm x 3 mm TDFN8, height: 0.80 mm (max)
 - Compliant to JEDEC MO-229, WCED-3
- RoHS compliant, halogen-free

Features

- STTS3000 is a 2.3 V memory module temperature sensor forward compatible with JEDEC standard TS3000 and backward compatible with STTS424
- Operating temperature range:
 - -40 °C to +125 °C
- Single supply voltage: 2.3 V to 3.6 V
- Temperature sensor resolution: programmable (9-12 bits)
0.25 °C (typ)/LSB - (10-bit) default
- Temperature sensor accuracy (max):
 - ± 1 °C from +75 °C to +95 °C
 - ± 2 °C from +40 °C to +125 °C
 - ± 3 °C from -40 °C to +125 °C
- ADC conversion time: 125 ms (max) at default resolution (10-bit)
- Typical operating supply current: 160 µA
- Temperature hysteresis selectable set points from: 0, 1.5, 3, 6.0 °C
- Two-wire SMBus/I²C - compatible serial interface
- Supports up to 400 kHz transfer rate

Contents

1	Description	6
2	Serial communications	7
2.1	Device type identifier (DTI) code	7
2.2	Pin descriptions	9
2.2.1	A0, A1, A2	9
2.2.2	V _{SS} (ground)	9
2.2.3	SDA (open drain)	9
2.2.4	SCL	9
2.2.5	$\overline{\text{EVENT}}$ (open drain)	9
2.2.6	V _{DD} (power)	9
3	Operation	10
3.1	SMBus/I ² C communications	10
3.2	SMBus/I ² C slave sub-address decoding	12
3.3	SMBus/I ² C AC timing consideration	12
4	Temperature sensor registers	14
4.1	Capability register (read-only)	15
4.2	Configuration register (read/write)	17
4.2.1	Event thresholds	17
4.2.2	Interrupt mode	17
4.2.3	Comparator mode	17
4.2.4	Shutdown mode	17
4.2.5	Event output pin functionality	20
4.3	Temperature register (read-only)	22
4.3.1	Temperature format	22
4.4	Alarm temperature trip registers (read/write)	23
4.4.1	Alarm window trip	24
4.4.2	Critical trip	24
4.5	Manufacturer ID register (read-only)	26
4.6	Device ID and device revision ID register (read-only)	26
4.7	Temperature resolution register (read/write)	27

4.8	SMBus timeout	27
5	Maximum ratings	28
6	DC and AC parameters	29
7	Package mechanical data	31
8	Part numbering	37
9	Package marking	38
10	Revision history	39

Obsolete Product(s) - Obsolete Product(s)

List of tables

Table 1.	Signal names	7
Table 2.	AC characteristics of STTS3000 for SMBus and I ² C compatibility timings.	13
Table 3.	Temperature sensor registers summary.	14
Table 4.	Pointer register format	15
Table 5.	Pointer register select bits (type, width, and default values).	15
Table 6.	Capability register format	15
Table 7.	Capability register bits	16
Table 8.	Configuration register format	17
Table 9.	Configuration register bit definitions	18
Table 10.	Hysteresis as applied to temperature movement	19
Table 11.	Legend for Figure 9: Event output boundary timings	21
Table 12.	Temperature register format	22
Table 13.	Temperature register coding examples (for 10 bits)	23
Table 14.	Temperature register bit definitions	23
Table 15.	Temperature trip register format	24
Table 16.	Alarm temperature upper boundary trip	24
Table 17.	Alarm temperature lower boundary trip	24
Table 18.	Critical temperature trip	25
Table 19.	Manufacturer ID register (read-only)	26
Table 20.	Device ID and device revision ID register (read-only)	26
Table 21.	Temperature resolution register (TRES) (read/write)	27
Table 22.	TRES details	27
Table 23.	Absolute maximum ratings	28
Table 24.	Operating and AC measurement conditions	29
Table 25.	DC/AC characteristics	30
Table 26.	TDFN8 – thin dual flat, no-lead (2 mm x 3 mm) mechanical data (DN)	32
Table 27.	Parameters for landing pattern - TDFN8 package (DN)	34
Table 28.	Carrier tape dimensions TDFN8 package	35
Table 29.	Reel dimensions for 8 mm carrier tape - TDFN8 package	36
Table 30.	Ordering information scheme	37
Table 31.	Document revision history	39

List of figures

Figure 1.	Logic diagram	7
Figure 2.	TDFN8 connections (top view)	8
Figure 3.	Block diagram	8
Figure 4.	SMBus/I ² C write to pointer register	11
Figure 5.	SMBus/I ² C write to pointer register, followed by a read data word.	11
Figure 6.	SMBus/I ² C write to pointer register, followed by a write data word	11
Figure 7.	SMBus/I ² C timing diagram	12
Figure 8.	Hysteresis	19
Figure 9.	Event output boundary timings	21
Figure 10.	AC measurement I/O waveform	29
Figure 11.	TDFN8 – thin dual flat, no-lead (2 mm x 3 mm) package outline (DN)	32
Figure 12.	Landing pattern - TDFN8 package (DN)	33
Figure 13.	Carrier tape for TDFN8 package	35
Figure 14.	Reel schematic	36
Figure 15.	DN package topside marking information (TDFN8)	38

1 Description

The STTS3000 is targeted for DIMM modules in mobile personal computing platforms (laptops), servers and other industrial applications. The thermal sensor (TS) in the STTS3000 is compliant with the JEDEC specification TS3000 which defines memory module thermal sensors requirements for mobile platforms.

The TS provides space as well as cost savings for mobile and server platform dual inline memory modules (DIMM) manufacturers, as it is packaged in the compact 2 mm x 3 mm 8-lead TDFN package with a thinner maximum height of 0.80 mm. The DN package is compliant to JEDEC MO-229, variation WCED-3.

The digital temperature sensor has a programmable 9-12 bit analog-to-digital converter (ADC) which monitors and digitizes the temperature to a resolution of up to 0.0625 °C. The default resolution is 0.25 °C/LSB (10-bit). The typical accuracies over these temperature ranges are:

±2 °C over the full temperature measurement range of –40 °C to 125 °C

±1 °C in the +40 °C to +125 °C active temperature range, and

±0.5 °C in the +75 °C to +95 °C monitor temperature range

The temperature sensor in the STTS3000 is specified for operating at supply voltages from 2.3 V to 3.6 V. Operating at 3.3 V, the typical supply current is 160 µA (includes SMBus communication current).

The onboard sigma-delta ADC converts the measured temperature to a digital value that is calibrated in °C. For Fahrenheit applications, a lookup table or conversion routine is required. The STTS3000 is factory-calibrated and requires no external components to measure temperature.

The digital temperature sensor has user-programmable registers that provide the capabilities for DIMM temperature-sensing applications. The open drain event output pin is active when the monitoring temperature exceeds a programmable limit, or it falls above or below an alarm window. The user has the option to set the event output as a critical temperature output. This pin can be configured to operate in either a comparator mode for thermostat operation or in interrupt mode.

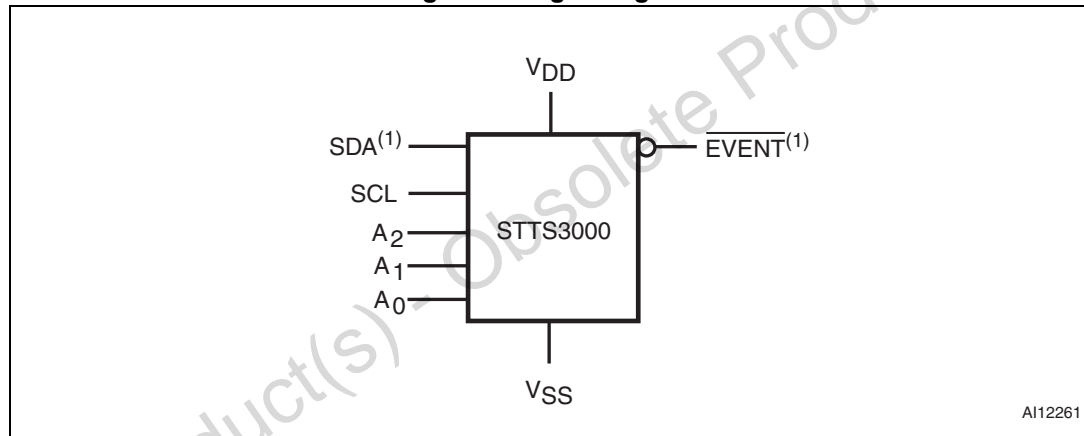
2 Serial communications

The STTS3000 has a simple 2-wire SMBus/I²C-compatible digital serial interface which allows the user to access the data in the temperature register at any time. It communicates via the serial interface with a master controller which operates at speeds of up to 400 kHz. It also gives the user easy access to all of the STTS3000 registers in order to customize device operation.

2.1 Device type identifier (DTI) code

The JEDEC temperature sensor has its own unique I²C address which ensures that there are no compatibility or data translation issues. The DTI code is the unique 4-bit address '0011'

Figure 1. Logic diagram



1. SDA and $\overline{\text{EVENT}}$ are open drain.

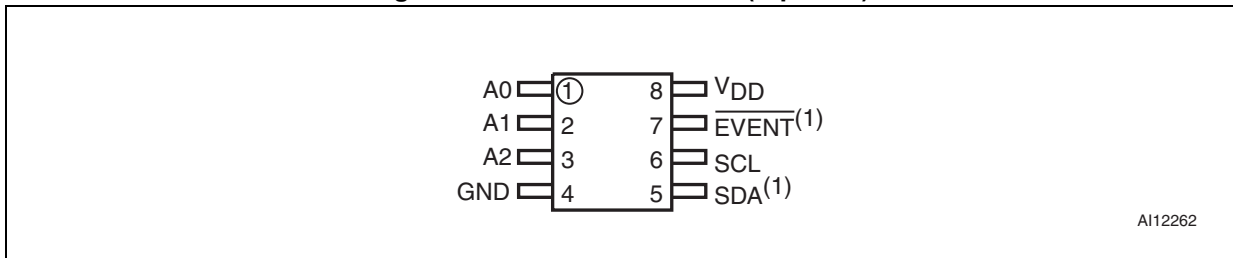
Table 1. Signal names

Pin	Symbol	Description	Direction
1	A0	Serial bus address selection pin. Can be tied to V _{SS} or V _{DD} .	Input
2	A1	Serial bus address selection pin. Can be tied to V _{SS} or V _{DD} .	Input
3	A2	Serial bus address selection pin. Can be tied to V _{SS} or V _{DD} .	Input
4	V _{SS}	Supply ground	
5	SDA ⁽¹⁾	Serial data	Input/output
6	SCL	Serial clock	Input
7	$\overline{\text{EVENT}}$ ⁽¹⁾	Event output pin. Open drain and active-low.	Output
8	V _{DD}	Supply power (2.3 V to 3.6 V)	

1. SDA and $\overline{\text{EVENT}}$ are open drain.

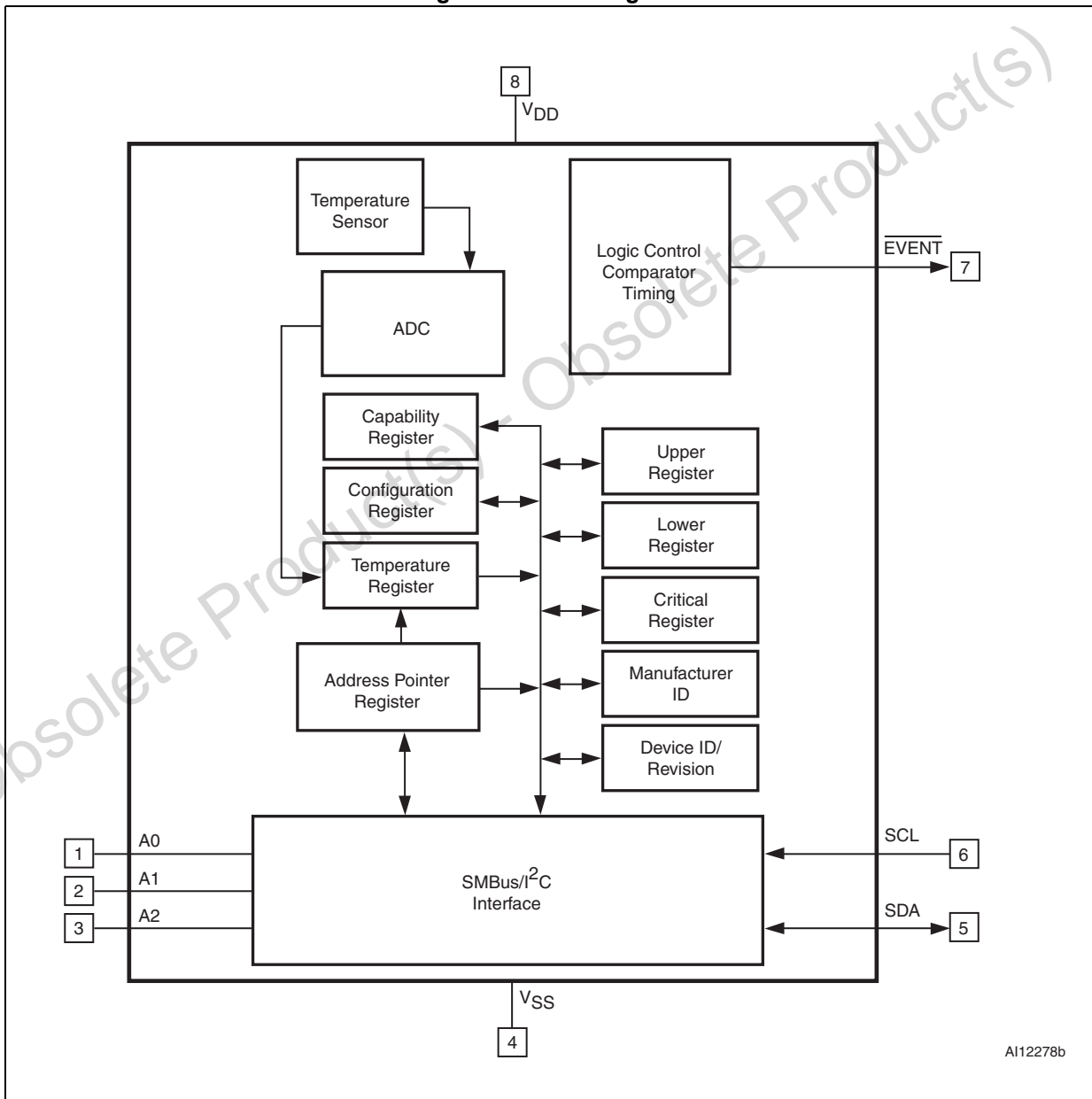
Note: See [Section 2.2: Pin descriptions on page 9](#) for details.

Figure 2. TDFN8 connections (top view)



1. SDA and $\overline{\text{EVENT}}$ are open drain.

Figure 3. Block diagram



2.2 Pin descriptions

2.2.1 A0, A1, A2

A2, A1, and A0 are selectable address pins for the 3 LSBs of the I²C interface address. They can be set to V_{DD} or GND to provide 8 unique address selections.

2.2.2 V_{SS} (ground)

This is the reference for the power supply. It must be connected to system ground.

2.2.3 SDA (open drain)

This is the serial data input/output pin.

2.2.4 SCL

This is the serial clock input pin.

2.2.5 $\overline{\text{EVENT}}$ (open drain)

This output pin is open drain and active-low.

2.2.6 V_{DD} (power)

This is the supply voltage pin, and ranges from 2.3 V to 3.6 V.

3 Operation

The STTS3000 continuously monitors the ambient temperature and updates the temperature data register. Temperature data is latched internally by the device and may be read by software from the bus host at any time.

The SMBus/I²C slave address selection pins allow up to 8 such devices to co-exist on the same bus. This means that up to 8 memory modules can be supported, given that each module has one such slave device address slot.

After initial power-on, the configuration registers are set to the default values. The software can write to the configuration register to set bits per the bit definitions in [Section 3.1: SMBus/I²C communications](#).

3.1 SMBus/I²C communications

The registers in this device are selected by the pointer register. At power-up, the pointer register is set to "00", which is the capability register location. The pointer register latches the last location it was set to. Each data register falls into one of three types of user accessibility:

1. Read-only
2. Write-only, and
3. WRITE/READ same address

A WRITE to this device always includes the address byte and the pointer byte. A WRITE to any register other than the pointer register, requires two data bytes.

Reading this device is achieved in one of two ways:

- If the location latched in the pointer register is correct (most of the time it is expected that the pointer register points to one of the read temperature registers because that is the data most frequently read), then the READ can simply consist of an address byte, followed by retrieval of the two data bytes.
- If the pointer register needs to be set, then an address byte, pointer byte, repeat start, and another address byte accomplishes a READ.

The data byte transfers the MSB first. At the end of a READ, this device can accept either an acknowledge (ACK) or no acknowledge (No ACK) status from the master. The No ACK status is typically used as a signal for the slave that the master has read its last byte. This device subsequently takes up to 125 ms to measure the temperature for the default temperature resolution.

Note: STTS3000 does not initiate clock stretching which is an optional I²C bus feature.

Figure 4. SMBus/I²C write to pointer register

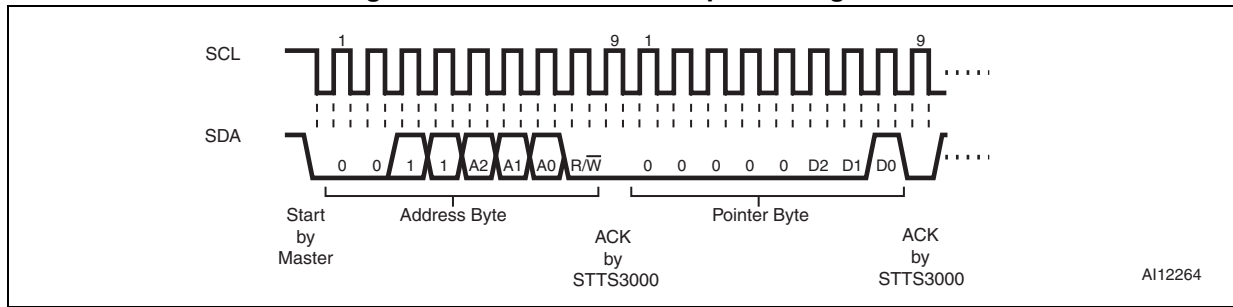


Figure 5. SMBus/I²C write to pointer register, followed by a read data word

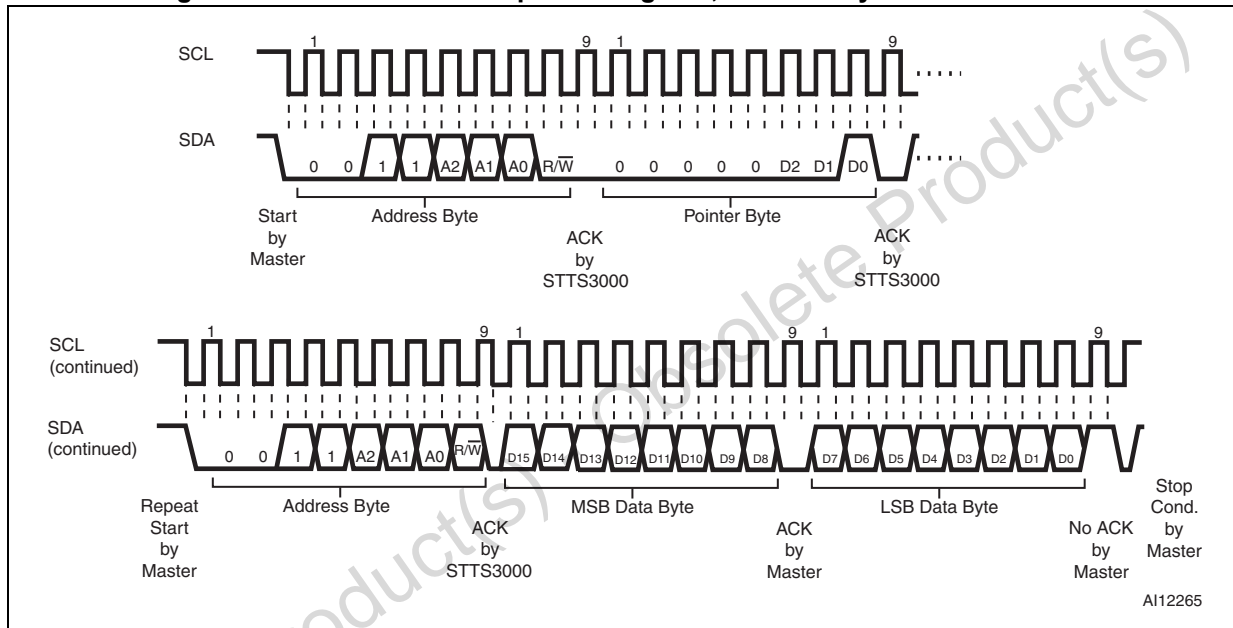
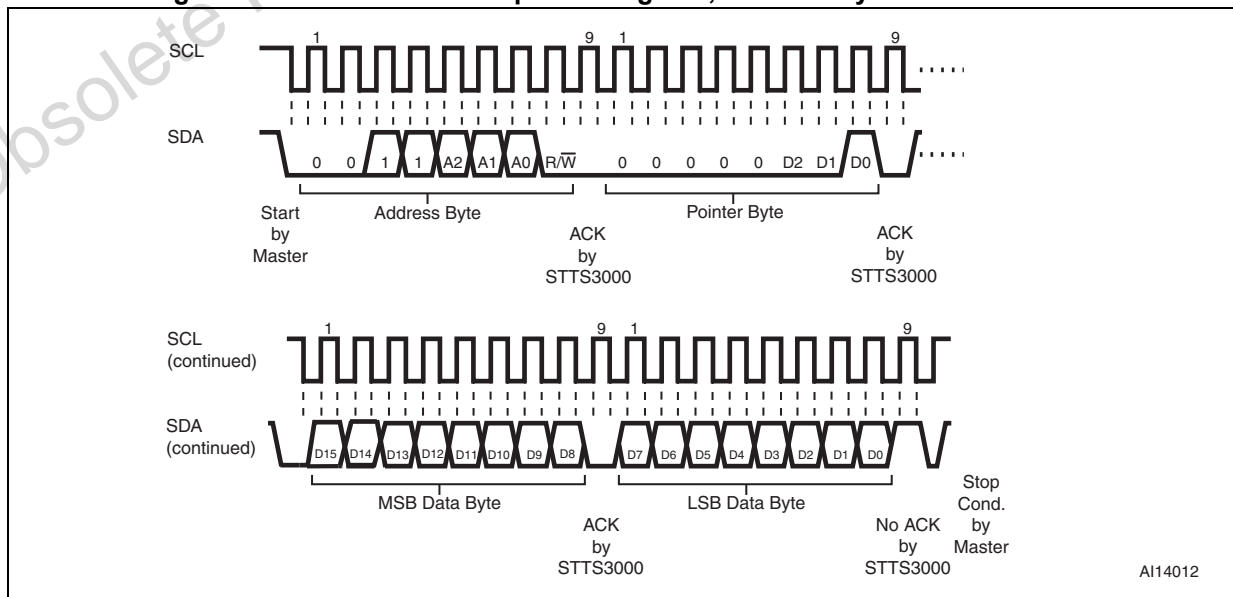


Figure 6. SMBus/I²C write to pointer register, followed by a write data word



3.2 SMBus/I²C slave sub-address decoding

The physical address of the temperature sensor is binary 0 0 1 1 A2 A1 A0 RW, where A2, A1, and A0 are the three slave sub-address pins, and the LSB “RW” is the READ/WRITE flag.

3.3 SMBus/I²C AC timing consideration

In order for this device to be both SMBus- and I²C-compatible, it complies to a subset of each specification. The requirements which enable this device to co-exist with devices on either an SMBus or an I²C bus include:

- The SMBus minimum clock frequency is required.
- The SMBus timeout is maximum 35 ms.

Figure 7. SMBus/I²C timing diagram

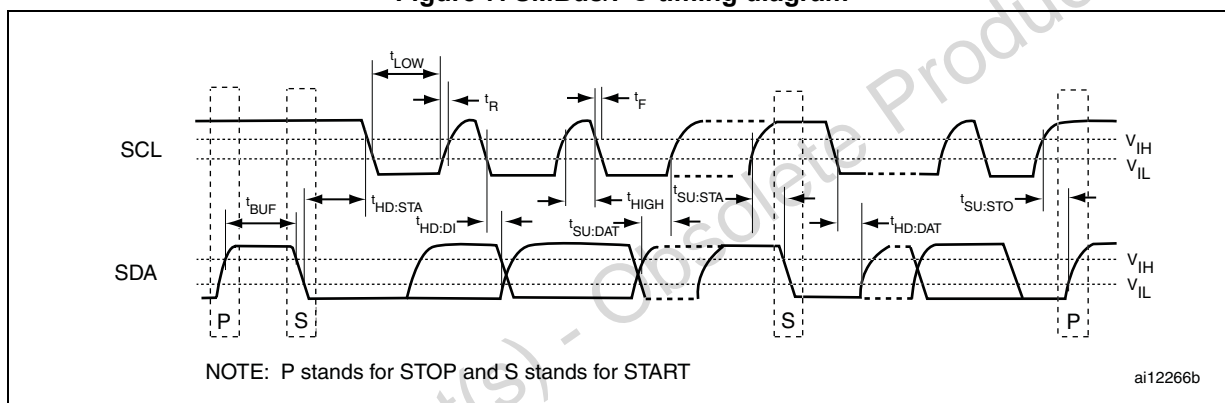


Table 2. AC characteristics of STTS3000 for SMBus and I²C compatibility timings

Symbol	Parameter	Min	Max	Units
f_{SCL}	SMBUS/I ² C clock frequency	10	400	kHz
t_{HIGH}	Clock high period	600	–	ns
$t_{LOW}^{(1)}$	Clock low period	1300	–	ns
$t_R^{(2)}$	Clock/data rise time	–	300	ns
$t_F^{(2)}$	Clock/data fall time	20	300	ns
$t_{SU:DAT}$	Data in setup time	100	–	ns
$t_{HD:DI}$	Data in hold time	0	–	ns
$t_{HD:DAT}$	Data out hold time	200	900	ns
$t_{SU:STA}^{(3)}$	Repeated start condition setup time	600	–	ns
$t_{HD:STA}$	Hold time after (repeated) start condition. After this period, the first clock cycle is generated.	600	–	ns
$t_{SU:STO}$	Stop condition setup time	600	–	ns
t_{BUF}	Bus free time between stop (P) and start (S) conditions	1300	–	ns
$t_{timeout}$	Bus timeout	25	35	ms

1. STTS3000 does not initiate clock stretching which is an I²C bus optional feature.
2. Guaranteed by design and characterization, not necessarily tested.
3. For a restart condition, or following a WRITE cycle.

4 Temperature sensor registers

The temperature sensor component is comprised of various user-programmable registers. These registers are required to write their corresponding addresses to the pointer register. They can be accessed by writing to their respective addresses (see [Table 3](#)). Pointer register bits 7 - 4 must always be written to '0' (see [Table 4](#)). This must be maintained, as not setting these bits to '0' may keep the device from performing to specifications.

The main registers include:

- [Capability register \(read-only\)](#)
- [Configuration register \(read/write\)](#)
- [Temperature register \(read-only\)](#)
- [Alarm temperature trip registers \(read/write\)](#), including
 - Alarm temperature upper boundary,
 - Alarm temperature lower boundary, and
 - Critical temperature.
- [Manufacturer ID register \(read-only\)](#)
- [Device ID and device revision ID register \(read-only\)](#)
- [Temperature resolution register \(TRES\) \(read/write\)](#)

See [Table 5 on page 15](#) for pointer register selection bit details.

Table 3. Temperature sensor registers summary

Address (hex)	Register name		Power-on default
Not applicable	Address pointer		Undefined
00	Capability	B-grade only	0x006F
01	Configuration		0x0000
02	Alarm temperature upper boundary trip		0x0000
03	Alarm temperature lower boundary trip		0x0000
04	Critical temperature trip		0x0000
05	Temperature		Undefined
06	Manufacturer's ID		0x104A
07	Device ID/revision		0x0200
08	Temperature resolution register		0x01

Note: Registers beyond the specified (00-08) are reserved for STMicroelectronics internal use only, for device test modes in product manufacturing. The registers must NOT be accessed by the user (customer) in the system application or the device may not perform according to specifications.

Table 4. Pointer register format

MSB							LSB
Bit7	Bit6	Bit5	Bit4	Bit3	Bit2	Bit1	Bit0
0	0	0	0	P3	P2	P1	P0
Pointer/register select bits							

Table 5. Pointer register select bits (type, width, and default values)

P3	P2	P1	P0	Name	Register description	Width (bits)	Type (R/W)	Default state (POR)
0	0	0	0	CAPA	Capability B-grade only	16	R	00 6F
0	0	0	1	CONF	Configuration	16	R/W	00 00
0	0	1	0	UPPER	Alarm temperature upper boundary trip	16	R/W	00 00
0	0	1	1	LOWER	Alarm temperature lower boundary trip	16	R/W	00 00
0	1	0	0	CRITICAL	Critical temperature trip	16	R/W	00 00
0	1	0	1	TEMP	Temperature	16	R	Undefined
0	1	1	0	MANU	Manufacturer ID	16	R	10 4A
0	1	1	1	ID	Device ID/revision	16	R	02 00
1	0	0	0	TRES	Temperature resolution register	8	R/W	01

4.1 Capability register (read-only)

This 16-bit register is read-only, and provides the TS capabilities which comply with the minimum JEDEC TS3000 specifications (see [Table 6](#) and [Table 7 on page 16](#)). The STTS3000 resolution is programmable via writing to pointer 08 register. The power-on default value is 0.25 °C/LSB (10-bit).

Table 6. Capability register format

Bit15	Bit14	Bit13	Bit12	Bit11	Bit10	Bit9	Bit8
RFU	RFU	RFU	RFU	RFU	RFU	RFU	RFU
Bit7	Bit6	Bit5	Bit4	Bit3	Bit2	Bit1	Bit0
EVSD	TMOUT	V _{HV}	TRES1	TRES0	Wider range	Higher precision	Alarm and critical trips
POR - 0x006F h							
0	0	0	0	0	0	0	0
0	1	1	0	1	1	1	1

Table 7. Capability register bits

Bit	Definition
0	Basic capability – 0 = Alarm and critical trips turned OFF. – 1 = Alarm and critical trips turned ON.
1	Accuracy – 0 = Accuracy ± 2 °C over the active range and ± 3 °C over the monitoring range (C-grade). – 1 = High accuracy ± 1 °C over the active range and ± 2 °C over the monitoring range (B-grade) (default)
2	Range width – 0 = Values lower than 0 °C will be clamped and represented as binary value '0'. – 1 = Temperatures below 0 °C can be read and the Sign bit will be set accordingly.
4:3	Temperature resolution – 00 = 9 bit, 0.5 °C/LSB – 01 = 10 bit, 0.25 °C/LSB - default resolution – 10 = 11 bit, 0.125 °C/LSB – 11 = 12 bit, 0.0625 °C/LSB
5	(V _{HV}) high voltage support for A0 (pin 1) – 1 = STTS3000 supports a voltage up to 10 volts on the A0 pin - (default)
6	TMOUT - bus timeout support (for temperature sensor only) – 0 = t _{timeout} is supported in the range of 10 to 60 ms – 1 = Default for STTS3000-SMBus compatible 25 ms - 35 ms
7	EVSD - $\overline{\text{EVENT}}$ behavior upon shutdown – 0 = Default for STTS3000. The $\overline{\text{EVENT}}$ output freezes in its current state when entering shutdown. Upon entering shutdown, the $\overline{\text{EVENT}}$ output remains in the previous state until the next thermal data conversion occurs, or possibly sooner if $\overline{\text{EVENT}}$ is programmed for comparator mode. – 1 = $\overline{\text{EVENT}}$ output is deasserted (not driven) when entering shutdown and remains deasserted upon exit from shutdown until the next thermal sample is taken or possibly sooner if $\overline{\text{EVENT}}$ is programmed for comparator mode.
15:8	Reserved These values must be set to '0'.

4.2 Configuration register (read/write)

The 16-bit configuration register stores various configuration modes that are used to set up the sensor registers and configure according to application and JEDEC requirements (see [Table 8 on page 17](#) and [Table 9 on page 18](#)).

4.2.1 Event thresholds

All event thresholds use hysteresis as programmed in register address 0x01 (bits 10 through 9) to be set when they de-assert.

4.2.2 Interrupt mode

The interrupt mode allows an event to occur where software may write a '1' to the clear event bit (bit 5) to de-assert the event Interrupt output until the next trigger condition occurs.

4.2.3 Comparator mode

The comparator mode enables the device to be used as a thermostat. READs and WRITEs on the device registers do not affect the event output in comparator mode. The event signal remains asserted until temperature drops outside the range or is re-programmed to make the current temperature “out of range”.

4.2.4 Shutdown mode

The STTS3000 features a shutdown mode which disables all power-consuming activities (e.g. temperature sampling operations), and leaves the serial interface active. This is selected by setting shutdown bit (bit 8) to '1'. In this mode, the devices consume the minimum current (I_{SHDN}), as shown in [Table 25 on page 30](#).

Note: Bit 8 cannot be set to '1' while bits 6 and 7 (the lock bits) are set to '1'.

The device may be enabled for continuous operation by clearing bit 8 to '0'. In shutdown mode, all registers may be read or written to. Power recycling also clears this bit and returns the device to continuous mode as well.

Table 8. Configuration register format

Bit15	Bit14	Bit13	Bit12	Bit11	Bit10	Bit9	Bit8
RFU	RFU	RFU	RFU	RFU	Hysteresis	Hysteresis	Shutdown mode
Bit7	Bit6	Bit5	Bit4	Bit3	Bit2	Bit1	Bit0
Critical lock bit	Alarm lock bit	Clear event	Event output status	Event output control	Critical event only	Event polarity	Event mode
POR = 0x0000 h							
0	0	0	0	0	0	0	0
0	0	0	0	0	0	0	0

Table 9. Configuration register bit definitions

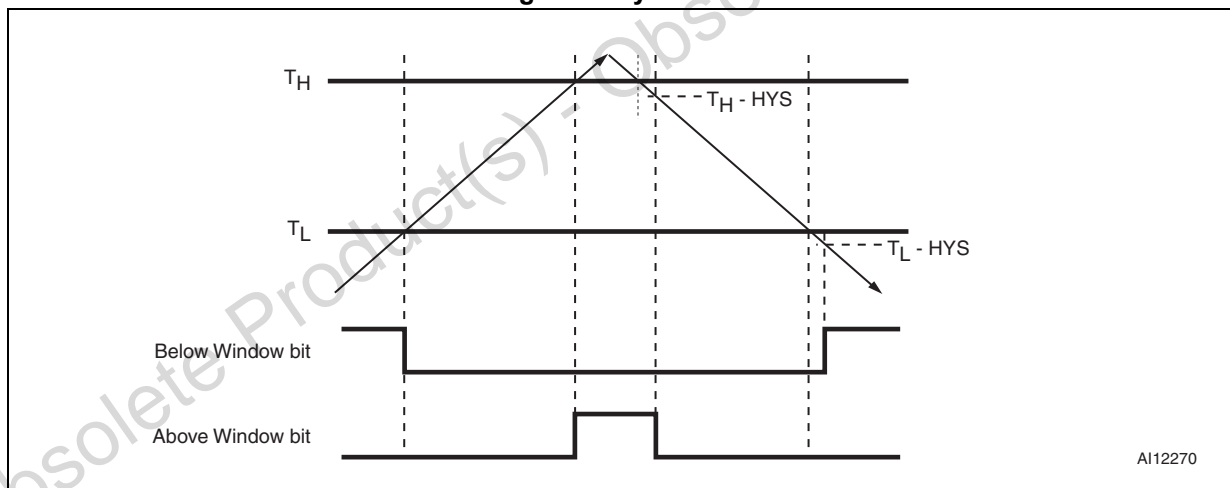
Bit	Definition
0	<p>Event mode</p> <ul style="list-style-type: none"> – 0 = Comparator output mode (this is the default). – 1 = Interrupt mode; when either of the lock bits (bit6 or bit7) is set, this bit cannot be altered until it is unlocked.
1	<p>Event polarity⁽¹⁾</p> <p>The event polarity bit controls the active state of the EVENT pin. The EVENT pin is driven to this state when it is asserted.</p> <ul style="list-style-type: none"> – 0 = Active-low (this is the default). Requires a pull-up resistor to set the inactive state of the open-drain output. The power to the pull-up resistor should not be greater than $V_{DD} + 0.2\text{ V}$. Active state is logical “0”. – 1 = Active-high. The active state of the pin is then logical “1”.
2	<p>Critical event only</p> <ul style="list-style-type: none"> – 0 = Event output on alarm or critical temperature event (this is the default). – 1 = Event only if the temperature is above the value in the critical temperature register ($T_A > T_{CRIT}$); when the alarm window lock bit (bit6) is set, this bit cannot be altered until it is unlocked.
3	<p>Event output control</p> <ul style="list-style-type: none"> – 0 = Event output disabled (this is the default). – 1 = Event output enabled; when either of the lock bits (bit6 or bit7) is set, this bit cannot be altered until it is unlocked.
4	<p>Event status (read-only)⁽²⁾</p> <ul style="list-style-type: none"> – 0 = Event output condition is not being asserted by this device. – 1 = Event output condition is being asserted by this device via the alarm window or critical trip event.
5	<p>Clear event (write-only)⁽³⁾</p> <ul style="list-style-type: none"> – 0 = No effect. – 1 = Clears the active event in interrupt mode. The pin is released and does not assert until a new interrupt condition occurs.
6	<p>Alarm window lock bit</p> <ul style="list-style-type: none"> – 0 = Alarm trips are not locked and can be altered (this is the default). – 1 = Alarm trip register settings cannot be altered. This bit is initially cleared. When set, this bit returns a logic '1' and remains locked until cleared by an internal power-on reset. These bits can be written to with a single WRITE, and do not require double WRITES.
7	<p>Critical trip lock bit</p> <ul style="list-style-type: none"> – 0 = Critical trip is not locked and can be altered (this is the default). – 1 = Critical trip register settings cannot be altered. This bit is initially cleared. When set, this bit returns a logic '1' and remains locked until cleared by an internal power-on reset. These bits can be written to with a single WRITE, and do not require double WRITES.
8	<p>Shutdown mode</p> <ul style="list-style-type: none"> – 0 = TS is enabled, continuous conversion (this is the default). – 1 = Shutdown TS when the shutdown, device, and A/D converter are disabled in order to save power. No event conditions are asserted; when either of the lock bits (bit6 or bit7) is set, then this bit cannot be altered until it is unlocked. It can be cleared at any time.

Table 9. Configuration register bit definitions (continued)

Bit	Definition
10:9	Hysteresis enable (see Figure 8 and Table 10) – 00 = Hysteresis is disabled (default) – 01 = Hysteresis is enabled at 1.5 °C – 10 = Hysteresis is enabled at 3 °C – 11 = Hysteresis is enabled at 6 °C Hysteresis applies to all limits when the temperature is dropping below the threshold so that once the temperature is above a given threshold, it must drop below the threshold minus the hysteresis in order to be flagged as an interrupt event. Note that hysteresis is also applied to the <code>EVENT</code> pin functionality. When either of the lock bits is set, these bits cannot be altered.
15:11	Reserved for future use. These bits always read '0' and writing to them has no effect. For future compatibility, all RFU bits must be programmed as '0'.

- As this device is used in DIMM (memory modules) applications, it is strongly recommended that only the active-low polarity (default) is used. This provides full compatibility with the STTS424. This is the recommended configuration for the STTS3000.
- The actual incident causing the event can be determined from the read temperature register. Interrupt events can be cleared by writing to the clear event bit (writing to this bit has no effect on overall device functioning).
- Writing to this register has no effect on overall device functioning in comparator mode. When read, this bit always returns a logic '0' result.

Figure 8. Hysteresis



- T_H = Value stored in the alarm temperature upper boundary trip register
- T_L = Value stored in the alarm temperature lower boundary trip register
- HYS = Absolute value of selected hysteresis

Table 10. Hysteresis as applied to temperature movement

	Below alarm window bit		Above alarm window bit	
	Temperature slope	Temperature threshold	Temperature slope	Temperature threshold
Sets	Falling	$T_L - HYS$	Rising	T_H
Clears	Rising	T_L	Falling	$T_H - HYS$

4.2.5 Event output pin functionality

The STTS3000 $\overline{\text{EVENT}}$ pin is an open drain output that requires a pull-up to V_{DD} on the system motherboard or integrated into the master controller. $\overline{\text{EVENT}}$ has three operating modes, depending on configuration settings and any current out-of-limit conditions. These modes are interrupt, comparator or critical.

In interrupt mode the $\overline{\text{EVENT}}$ pin remains asserted until it is released by writing a '1' to the "Clear Event" bit in the status register. The value to write is independent of the EVENT polarity bit.

In comparator mode the $\overline{\text{EVENT}}$ pin clears itself when the error condition that caused the pin to be asserted is removed.

In critical mode the $\overline{\text{EVENT}}$ pin is asserted only if the measured temperature exceeds the critical limit. Once the pin has been asserted, it remains asserted until the temperature drops below the critical limit minus hysteresis. [Figure 9 on page 21](#) illustrates the operation of the different modes over time and temperature.

When the hysteresis bits (bits 10 and 9) are enabled, hysteresis may be used to sense temperature movement around trigger points. For example, when using the "above alarm window" bit (temperature register bit 14, see [Table 12 on page 22](#)) and hysteresis is set to 3 °C, as the temperature rises, bit 14 is set (bit 14 = 1). The temperature is above the alarm window and the temperature register contains a value that is greater than the value set in the alarm temperature upper boundary register (see [Table 16 on page 24](#)).

If the temperature decreases, bit 14 remains set until the measured temperature is less than or equal to the value in the alarm temperature upper boundary register minus 3 °C (see [Figure 8 on page 19](#) and [Table 10 on page 19](#) for details).

Similarly, when using the "below alarm window" bit (temperature register bit 13, see [Table 12 on page 22](#)) is set to '0'. The temperature is equal to or greater than the value set in the alarm temperature lower boundary register (see [Table 17 on page 24](#)). As the temperature decreases, bit 13 is set to '1' when the value in the temperature register is less than the value in the alarm temperature lower boundary register minus 3 °C (see [Figure 8 on page 19](#) and [Table 10 on page 19](#) for details).

The device retains the previous state when entering the shutdown mode. If the device enters the shutdown mode while the $\overline{\text{EVENT}}$ pin is low, the shutdown current increases due to the additional event output pull-down current.

Figure 9. Event output boundary timings

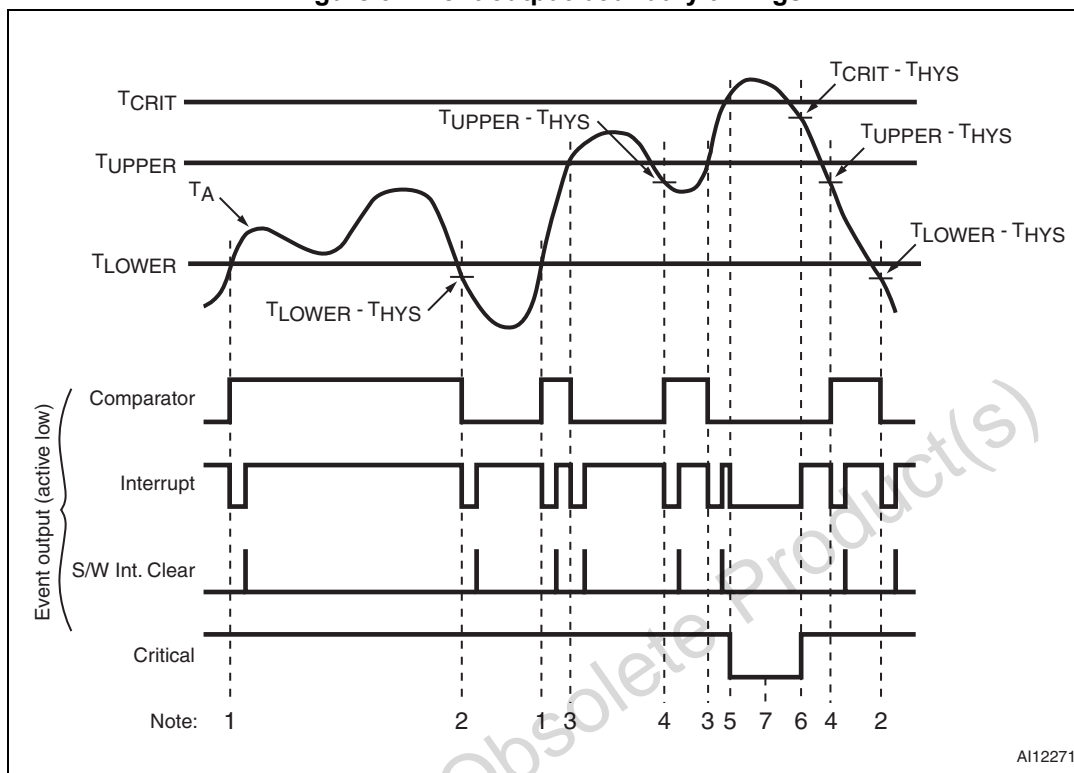


Table 11. Legend for Figure 9: Event output boundary timings

Note	Event output boundary conditions	Event output			TA bits		
		Comparator	Interrupt	Critical	15	14	13
1	$T_A \geq T_{LOWER}$	H	L	H	0	0	0
2	$T_A < T_{LOWER} - T_{HYS}$	L	L	H	0	0	1
3	$T_A > T_{UPPER}$	L	L	H	0	1	0
4	$T_A \leq T_{UPPER} - T_{HYS}$	H	L	H	0	0	0
5	$T_A \geq T_{CRIT}$	L	L	L	1	0	0
6	$T_A < T_{CRIT} - T_{HYS}$	L	H	H	0	1	0
7	When $T_A \geq T_{CRIT}$ and $T_A < T_{CRIT} - T_{HYS}$, the event output is in comparator mode and bit 0 of the configuration register (interrupt mode) is ignored.						

Systems that use the active high mode for Event output must be wired point-to-point between the STTS3000 and the sensing controller. Wire-OR configurations should not be used with active high Event output since any device pulling the Event output signal low masks the other devices on the bus. Also note that the normal state of Event output in active high mode is a '0' which constantly draws power through the pull-up resistor.

4.3 Temperature register (read-only)

This 16-bit, read-only register stores the temperature measured by the internal band gap TS as shown in [Table 12](#). When reading this register, the MSBs (bit 15 to bit 8) are read first, and then the LSBs (bit 7 to bit 0) are read. The result is the current-sensed temperature. The data format is 2s complement with one LSB = 0.25 °C for the default resolution. The MSB has a 128 °C resolution.

The trip status bits represent the internal temperature trip detection, and are not affected by the status of the event or configuration bits (e.g. event output control or clear event). If neither of the above or below values are set (i.e. both are 0), then the temperature is exactly within the user-defined alarm window boundaries.

4.3.1 Temperature format

The 16-bit value used in the trip point set and temperature read-back registers is 2s complement, with the LSB equal to 0.0625 °C (see [Table 12](#)). For example:

1. a value of 019C h represents 25.75 °C,
2. a value of 07C0 h represents 124 °C, and
3. a value of 1E74 h represents -24.75 °C

All unused resolution bits are set to zero. The MSB has a resolution of 128 °C. The STTS3000 supports programmable resolutions (9-12 bits) which is 0.5 to 0.0625 °C/LSB. The default is 0.25 °C/LSB (10 bits) programmable.

The upper 3 bits indicate trip status based on the current temperature, and are not affected by the event output status.

Table 12. Temperature register format

			Sign MSB											LSB ⁽¹⁾		
Bit 15	Bit 14	Bit 13	Bit 12	Bit 11	Bit 10	Bit 9	Bit 8	Bit 7	Bit 6	Bit 5	Bit 4	Bit 3	Bit 2	Bit 1 ⁽²⁾	Bit 0 ⁽³⁾	
Flag bit	Flag bit	Flag bit	Sign	128	64	32	16	8	4	2	1	0.5	0.25	0.125	0.0625	°C/LSB
Above critical input ⁽⁴⁾	Above alarm window ⁽⁴⁾	Below alarm window ⁽⁴⁾	Temperature (default - 10 bit)											0	0	
Flag bits			Example hex value of 07C0 corresponds to 124 °C (10-bit)													
0	0	0	0	0	1	1	1	1	1	0	0	0	0	0	0	07C0 h
Flag bits			Example hex value of 1D80 corresponds to -40 °C (10-bit)													
0	0	0	1	1	1	0	1	1	0	0	0	0	0	0	0	1D80 h

1. Bit 2 is LSB for default 10-bit mode.
2. Depending on status of the resolution register, bit 1 may display 0.125 °C value.
3. Depending on status of the resolution register, bit 0 may display 0.0625 °C value.
4. See [Table 14](#) for explanation.

A 0.25 °C minimum granularity is supported in all registers. Examples of valid settings and interpretation of temperature register bits for 10-bit (0.25 °C) default resolution are provided in [Table 13](#).

Table 13. Temperature register coding examples (for 10 bits)

B15:B0 (binary)	Value	Units
xxx0 0000 0010 11xx	+2.75	°C
xxx0 0000 0001 00xx	+1.00	°C
xxx0 0000 0000 01xx	+0.25	°C
xxx0 0000 0000 00xx	0	°C
xxx1 1111 1111 11xx	-0.25	°C
xxx1 1111 1111 00xx	-1.00	°C
xxx1 1111 1101 11xx	-2.25	°C

Table 14. Temperature register bit definitions

Bit	Definition with hysteresis = 0
13	Below (temperature) alarm window – 0 = Temperature is equal to or above the alarm window lower boundary temperature. – 1 = Temperature is below the alarm window.
14	Above (temperature) alarm window. – 0 = Temperature is equal to or below the alarm window upper boundary temperature. – 1 = Temperature is above the alarm window.
15	Above critical trip – 0 = Temperature is below the critical temperature setting. – 1 = Temperature is equal to or above the critical temperature setting.

4.4 Alarm temperature trip registers (read/write)

The STTS3000 alarm trip registers provide for 11-bit data in 2s complement format. The data provides for one LSB = 0.25 °C. All unused bits in these registers are read as '0'.

The STTS3000 has three temperature trip registers (see [Table 15](#)):

- Alarm temperature upper boundary trip ([Table 16](#)),
- Alarm temperature lower boundary trip ([Table 17](#)), and
- Critical temperature trip ([Table 18](#)).

Note: If the upper or lower boundary trip values are being altered in-system, all interrupts should be turned off until a known state can be obtained to avoid superfluous interrupt activity.

Table 15. Temperature trip register format

P3	P2	P1	P0	Name	Register description	Width (bits)	Type (R/W)	Default state (POR)
0	0	1	0	UPPER	Alarm temperature upper boundary	16	R/W	00 00
0	0	1	1	LOWER	Alarm temperature lower boundary	16	R/W	00 00
0	1	0	0	CRITICAL	Critical temperature	16	R/W	00 00

4.4.1 Alarm window trip

The device provides a comparison window with an upper temperature trip point in the alarm upper boundary register, and a lower trip point in the alarm lower boundary register. When enabled, the event output is triggered whenever entering or exiting (crossing above or below) the alarm window.

4.4.2 Critical trip

The device can be programmed in such a way that the event output is only triggered when the temperature exceeds the critical trip point. The critical temperature setting is programmed in the critical temperature register. When the temperature sensor reaches the critical temperature value in this register, the device is automatically placed in comparator mode, which means that the critical event output cannot be cleared by using software to set the clear event bit.

Table 16. Alarm temperature upper boundary trip

			Sign MSB											LSB ⁽¹⁾		
Bit 15	Bit 14	Bit 13	Bit 12	Bit 11	Bit 10	Bit 9	Bit 8	Bit 7	Bit 6	Bit 5	Bit 4	Bit 3	Bit 2	Bit ⁽²⁾ 1	Bit ⁽³⁾ 0	
0	0	0	Alarm temperature upper boundary trip										0	0		

1. Bit 2 is LSB for default 10-bit mode.
2. Depending on status of the resolution register, bit 1 may display 0.125 °C value.
3. Depending on status of the resolution register, bit 0 may display 0.0625 °C value.

Table 17. Alarm temperature lower boundary trip

			Sign MSB											LSB ⁽¹⁾		
Bit 15	Bit 14	Bit 13	Bit 12	Bit 11	Bit 10	Bit 9	Bit 8	Bit 7	Bit 6	Bit 5	Bit 4	Bit 3	Bit 2	Bit ⁽²⁾ 1	Bit ⁽³⁾ 0	
0	0	0	Alarm temperature lower boundary trip										0	0		

1. Bit 2 is LSB for default 10-bit mode.
2. Depending on status of the resolution register, bit 1 may display 0.125 °C value.
3. Depending on status of the resolution register, bit 0 may display 0.0625 °C value.

Table 18. Critical temperature trip

			Sign MSB										LSB ⁽¹⁾		
Bit 15	Bit 14	Bit 13	Bit 12	Bit 11	Bit 10	Bit 9	Bit 8	Bit ⁽²⁾ 7	Bit 6	Bit 5	Bit 4	Bit 3	Bit 2	Bit ⁽³⁾ 1	Bit ⁽⁴⁾ 0
0	0	0	Critical temperature trip										0	0	

1. Bit 2 is LSB for default 10-bit mode.
2. If critical trip lockout bit (bit 7 of configuration register in [Table 9](#)) is set, then this register becomes read-only.
3. Depending on status of the resolution register, bit 1 may display 0.125 °C value.
4. Depending on status of the resolution register, bit 0 may display 0.0625 °C value.

Note: *In all temperature register formats bit 0 and bit 1 are used when the resolution is more than 10 bits. These registers show temperature data for the default 10 bits.*

Obsolete Product(s) - Obsolete Product(s)

4.5 Manufacturer ID register (read-only)

The manufacturer’s ID (programmed value 104Ah) in this register is the STMicroelectronics Identification provided by the Peripheral Component Interconnect Special Interest Group (PCiSIG).

Table 19. Manufacturer ID register (read-only)

Bit15	Bit14	Bit13	Bit12	Bit11	Bit10	Bit9	Bit8
0	0	0	1	0	0	0	0
Device ID							
Bit7	Bit6	Bit5	Bit4	Bit3	Bit2	Bit1	Bit0
0	1	0	0	1	0	1	0
Device revision ID							

4.6 Device ID and device revision ID register (read-only)

The device ID and device revision ID are maintained in this register. The register format is shown in [Table 20](#). Revision numbers are incremented whenever an update of the device is made.

Table 20. Device ID and device revision ID register (read-only)

Bit15	Bit14	Bit13	Bit12	Bit11	Bit10	Bit9	Bit8
0	0	0	0	0	0	1	0
Device ID							
Bit7	Bit6	Bit5	Bit4	Bit3	Bit2	Bit1	Bit0
0	0	0	0	0	0	0	0
Device revision ID							

The current device ID and revision ID value is 0200 h.

4.7 Temperature resolution register (read/write)

With this register a user can program the temperature sensor resolution from 9-12 bits as shown below. The power-on default is always 10 bit (0.25 °C/LSB). The selected resolution is also reflected in bits (4:3) (TRES1:TRES0) of the capability register.

Table 21. Temperature resolution register (TRES) (read/write)

Bit7	Bit6	Bit5	Bit4	Bit3	Bit2	Bit1	Bit0
0	0	0	0	0	0	0	1
Resolution selection register						Resolution bits	

Table 22. TRES details

Resolution register bits				
Bit1	Bit0	°C/LSB	Bits	Conversion time (max)
0	0	0.5	9	65 ms
0	1	0.25	10	125 ms (default)
1	0	0.125	11	250 ms
1	1	0.0625	12	500 ms

The default value is 01 for TRES register.

4.8 SMBus timeout

The STTS3000 supports the SMBus timeout feature which is turned on by default. If the host holds SCL low for more than t_{timeout} (max), the STTS3000 resets itself and releases the bus. This feature is supported even when the device is in shutdown mode and when the device is driving SDA low.

5 Maximum ratings

Stressing the device above the ratings listed in the absolute maximum ratings table may cause permanent damage to the device. These are stress ratings only and operation of the device at these or any other conditions above those indicated in the operating sections of this specification is not implied. Exposure to absolute maximum rating conditions for extended periods may affect device reliability.

Table 23. Absolute maximum ratings

Symbol	Parameter	Value	Unit	
T_{STG}	Storage temperature	-65 to 150	°C	
$T_{SLD}^{(1)}$	Lead solder temperature for 10 seconds	260	°C	
V_{IO}	Input or output voltage	A0	$V_{SS} - 0.3$ to 10.0	V
		others	$V_{SS} - 0.3$ to 6.5	V
V_{DD}	Supply voltage	$V_{SS} - 0.3$ to 6.5	V	
I_O	Output current	10	mA	
P_D	Power dissipation	320	mW	
θ_{JA}	Thermal resistance	87.4	°C/W	

1. Reflow at peak temperature of 260 °C. The time above 255 °C must not exceed 30 seconds.

6 DC and AC parameters

This section summarizes the operating measurement conditions, and the DC and AC characteristics of the device. The parameters in the DC and AC characteristics tables that follow, are derived from tests performed under the measurement conditions summarized in [Table 24](#). Designers should check that the operating conditions in their circuit match the operating conditions when relying on the quoted parameters.

Table 24. Operating and AC measurement conditions

Parameter	Conditions	Unit
V _{DD} supply voltage	2.3 to 3.6	V
Operating temperature	-40 to 125	°C
Input rise and fall times	≤ 50	ns
Load capacitance	100	pf
Input pulse voltages	0.2V _{DD} to 0.8V _{DD}	V
Input and output timing reference voltages	0.3V _{DD} to 0.7V _{DD}	V

Figure 10. AC measurement I/O waveform

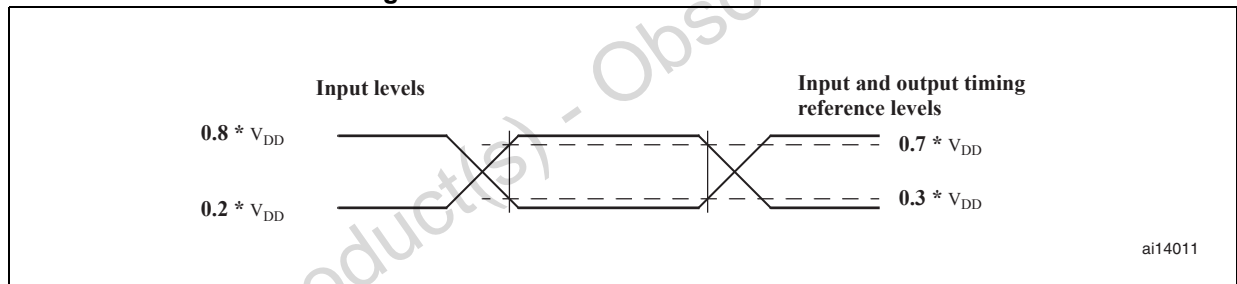


Table 25. DC/AC characteristics

Sym	Description	Test condition ⁽¹⁾	Min	Typ ⁽²⁾	Max	Unit
V _{DD}	Supply voltage		2.3	3.3	3.6	V
I _{DD}	V _{DD} supply current (no load)	F = 400 kHz		160	300	μA
I _{DD1}	Shutdown mode supply current	TS shutdown		1	3	μA
I _{ILI}	Input leakage current (SCL, SDA)	V _{IN} = V _{SS} or V _{DD}			±5	μA
I _{ILO}	Output leakage current	V _{OUT} = V _{SS} or V _{DD} , SDA in Hi-Z			±5	μA
V _{POR}	Power on Reset (POR) threshold	V _{DD} falling edge		1.75		V
B-grade	Accuracy for corresponding range 2.3 V ≤ V _{DD} ≤ 3.6 V	+75 °C < T _A < +95 (active range)		±0.5	±1.0	°C
		+40 °C < T _A < +125 (monitor range)		±1.0	±2.0	°C
		-40 °C < T _A < +125 (full range)		±2.0	±3.0	°C
	Resolution		0.5	0.25	0.0625	°C/LSB
			9	10	12	bits
t _{CONV}	Conversion time	10-bit - default			125	ms
SMBus/I²C interface						
V _{IH}	Input logic high	SCL, SDA, A0-A2	0.7V _{DD}		V _{DD} + 1	V
V _{IL}	Input logic low	SCL, SDA, A0-A2	-0.5		0.3V _{DD}	V
C _{IN} ⁽³⁾	SMBus/I ² C input capacitance			5		pF
f _{SCL}	SMBus/I ² C clock frequency		10		400	kHz
t _{timeout}	SMBus timeout		25		35	ms
V _{HV}	A0 high voltage	V _{HV} ≥ V _{DD} + 4.8 V	7		10	V
V _{OL1}	Low level voltage, $\overline{\text{EVENT}}$	I _{OL} = 2.1 mA			0.4	V
V _{OL2}	Low level voltage, SDA	I _{OL} = 2.1 mA			0.4	V
		I _{OL} = 6 mA			0.6	V
t _{SP} ⁽³⁾	Spike suppression Pulse width of spikes that must be suppressed by the input filter	Input filter on SCL and SDA			50	ns
V _{HYST}	Input hysteresis (SCL, SDA)		0.05V _{DD}			V

1. Guaranteed operating temperature: T_A = -40 °C to 125 °C; V_{DD} = 2.3 V to 3.6 V (except where noted).

2. Typical numbers taken at V_{DD} = 3.3 V, T_A = 25 °C.

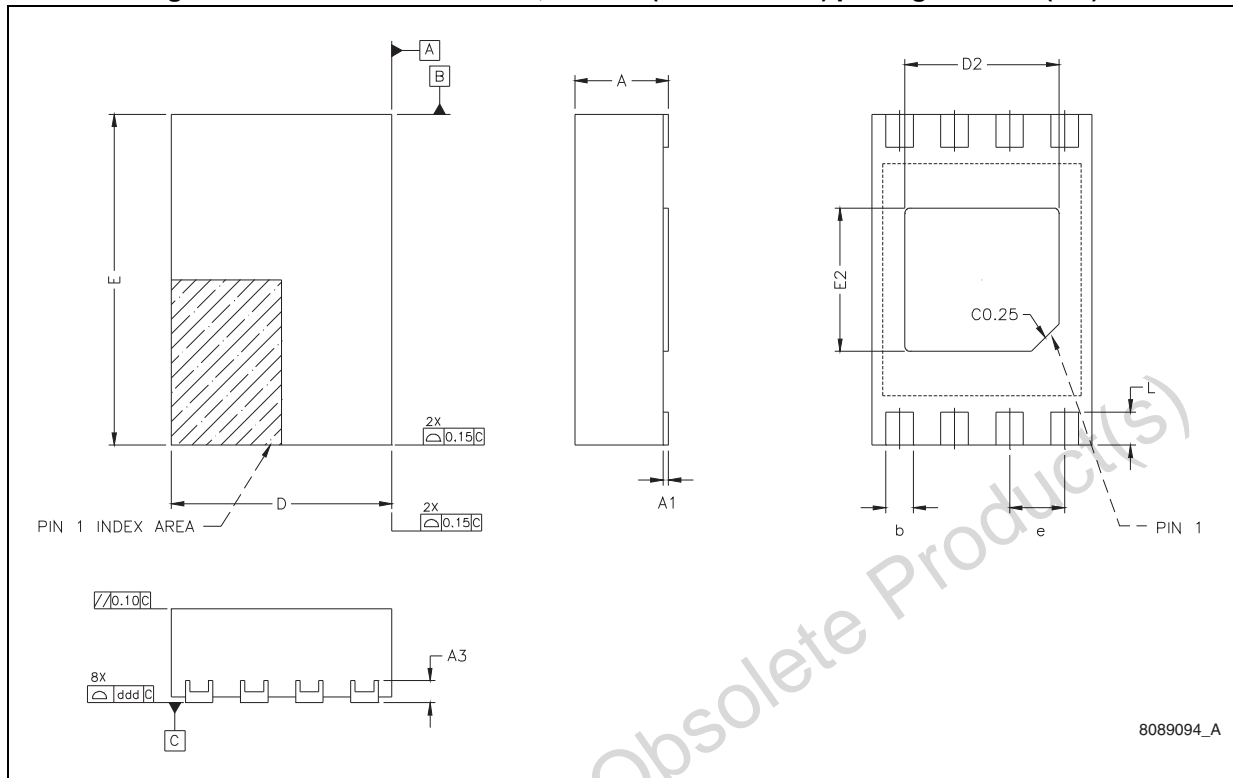
3. Verified by design and characterization, not necessarily tested on all devices

7 Package mechanical data

In order to meet environmental requirements, ST offers these devices in different grades of ECOPACK[®] packages, depending on their level of environmental compliance. ECOPACK[®] specifications, grade definitions and product status are available at: www.st.com. ECOPACK[®] is an ST trademark.

Obsolete Product(s) - Obsolete Product(s)

Figure 11. TDFN8 – thin dual flat, no-lead (2 mm x 3 mm) package outline (DN)



Note: JEDEC MO-229, variation WCED-3 proposal

Table 26. TDFN8 – thin dual flat, no-lead (2 mm x 3 mm) mechanical data (DN)

Sym	mm			inches		
	Min	Typ	Max	Min	Typ	Max
A	0.70	0.75	0.80	0.028	0.030	0.031
A1	0.00	0.00	0.05	0.000	0.000	0.002
A3		0.20			0.008	
b	0.20	0.25	0.30	0.008	0.010	0.012
D	1.95	2.00	2.05	0.077	0.079	0.081
D2	1.35	1.40	1.45	0.053	0.055	0.057
E	2.95	3.00	3.05	0.116	0.118	0.120
E2	1.25	1.30	1.35	0.049	0.051	0.053
e		0.50			0.020	
L	0.30	0.35	0.40	0.012	0.014	0.016
ddd			0.08			0.003

Note: JEDEC MO-229, variation WCED-3 proposal

The landing pattern recommendations per the JEDEC proposal for the TDFN8 package (DN) are shown in [Figure 12](#).

The preferred implementation with wide corner pads enhances device centering during assembly, but a narrower option is defined for modules with tight routing requirements.

Figure 12. Landing pattern - TDFN8 package (DN)

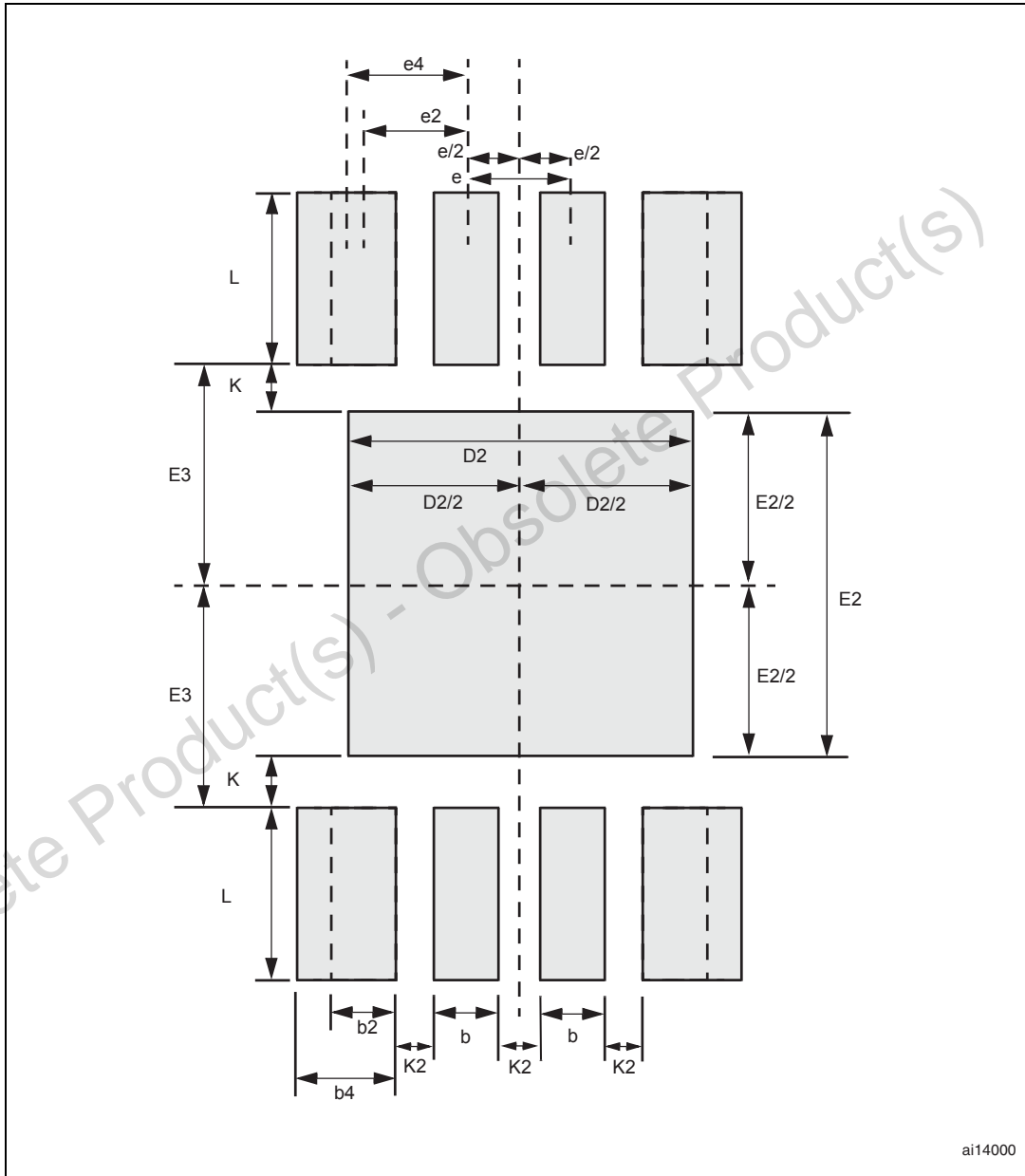


Table 27 lists variations of landing pattern implementations, ranked as “Preferred” and Minimum Acceptable” based on the JEDEC proposal.

Table 27. Parameters for landing pattern - TDFN8 package (DN)

Parameter	Description	Dimension		
		Min	Nom	Max
D2	Heat paddle width	1.40	-	1.60
E2	Heat paddle height	1.40	-	1.60
E3	Heat paddle centerline to contact inner locus	1.00	-	-
L	Contact length	0.70	-	0.80
K	Heat paddle to contact keepout	0.20	-	-
K2	Contact to contact keepout	0.20	-	-
e	Contact centerline to contact centerline pitch for inner contacts	-	0.50	-
b	Contact width for inner contacts	0.25	-	0.30
e2	Landing pattern centerline to outer contact centerline, “minimum acceptable” option ⁽¹⁾	-	0.50	-
b2	Corner contact width, “minimum acceptable option” ⁽¹⁾	0.25	-	0.30
e4	Landing pattern centerline to outer contact centerline, “preferred” option ⁽²⁾	-	0.60	-
b4	Corner contact width, “preferred” option ⁽²⁾	0.45	-	0.50

1. Minimum acceptable option to be used when routing prevents preferred width contact.
2. Preferred option to be used when possible.

Figure 13. Carrier tape for TDFN8 package

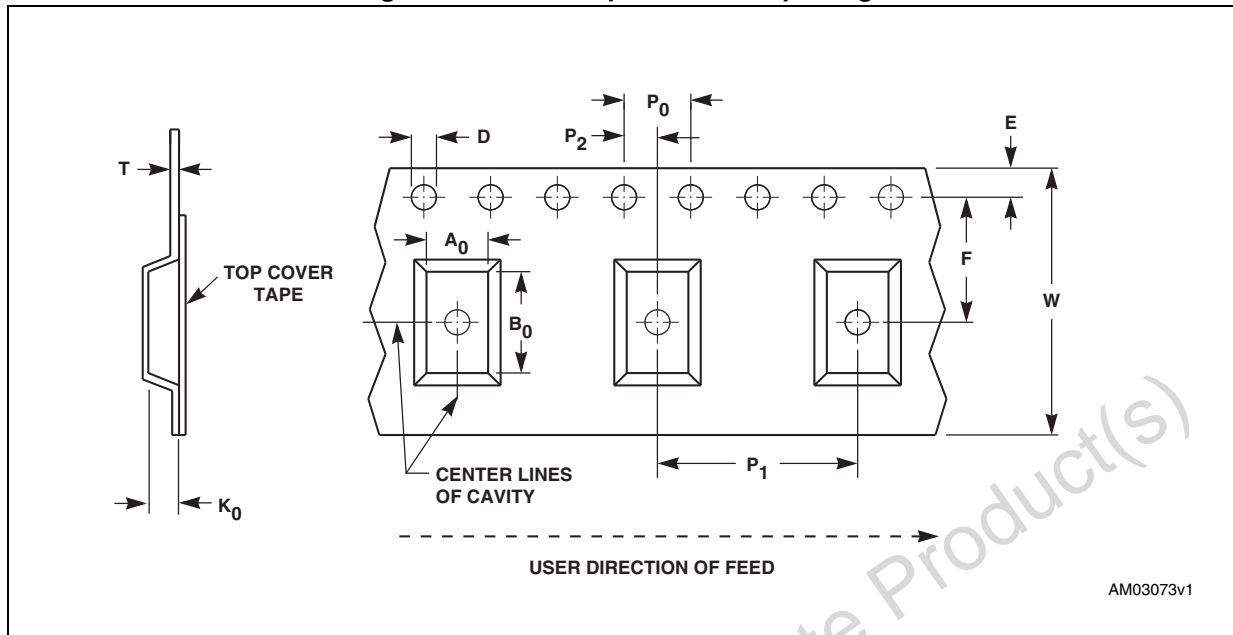


Table 28. Carrier tape dimensions TDFN8 package

Package	W	D	E	P ₀	P ₂	F	A ₀	B ₀	K ₀	P ₁	T	Unit	Bulk Qty
TDFN8	8.00 +0.30 -0.10	1.50 +0.10/ -0.00	1.75 ±0.10	4.00 ±0.10	2.00 ±0.10	3.50 ±0.05	2.30 ±0.10	3.20 ±0.10	1.10 ±0.10	4.00 ±0.10	0.30 ±0.05	mm	3000

Figure 14. Reel schematic

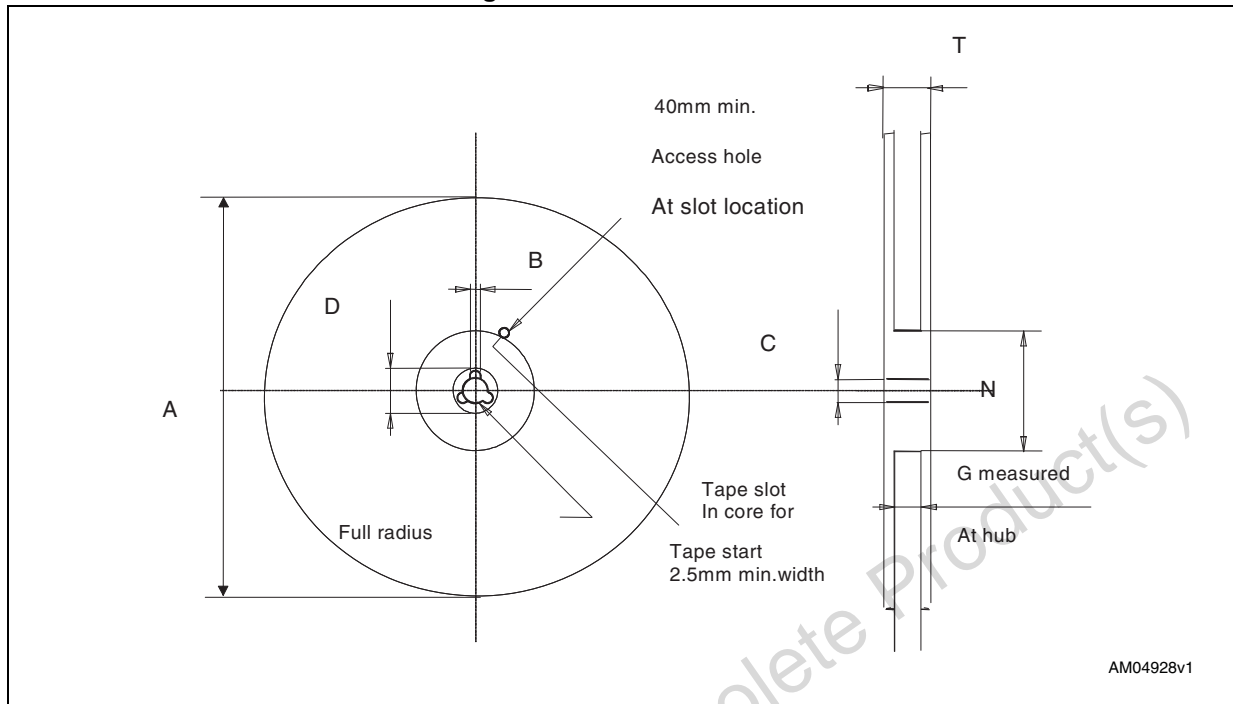


Table 29. Reel dimensions for 8 mm carrier tape - TDFN8 package

A (max)	B (min)	C	D (min)	N (min)	G	T (max)
180 mm (7-inch)	1.5 mm	13 mm ± 0.2 mm	20.2 mm	60 mm	8.4 mm + 2/-0 mm	14.4 mm

Note: The dimensions given in [Table 29](#) incorporate tolerances that cover all variations on critical parameters.

8 Part numbering

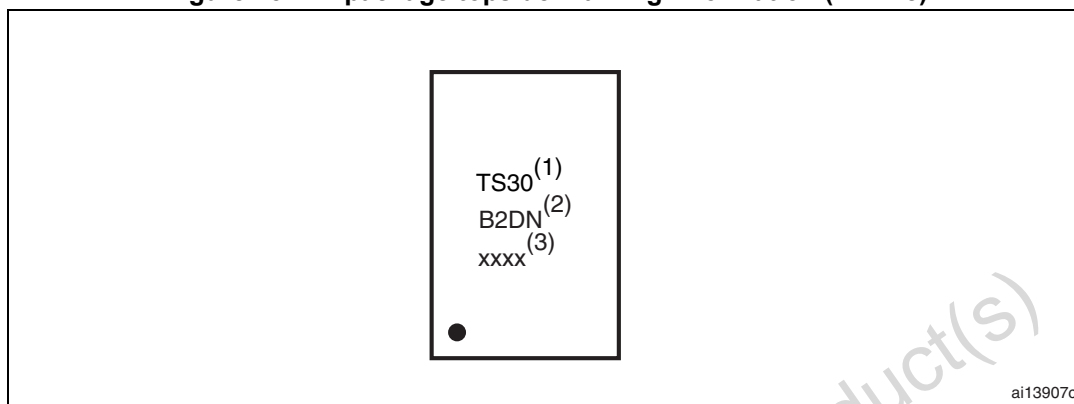
Table 30. Ordering information scheme

Example:	STTS3000	B	2	DN	3	F
Device type						
STTS3000						
Accuracy grade						
B: Maximum accuracy 75 °C to 95 °C = ± 1 °C						
Voltage (minimum)						
2 = 2.3 V - 3.6 V part						
Package						
DN = TDFN8 (0.80 mm max height)						
Temperature						
3 = -40 °C to 125 °C						
Shipping method						
F = ECOPACK® package, tape & reel packing						

For other options, or for more information on any aspect of this device, please contact the ST sales office nearest you.

9 Package marking

Figure 15. DN package topside marking information (TDFN8)



1. Device name
TS30 = STTS3000
2. Temperature grade and package
B = B-grade
2 = Minimum operating voltage of 2.3 V
DN = 0.80 mm TDFN package
3. Traceability codes

10 Revision history

Table 31. Document revision history

Date	Revision	Changes
01-Mar-2010	1	Initial release.
16-Jun-2010	2	Updated Figure 3 , 15 ; added reel information (Figure 14 , Table 29); document status upgraded to full datasheet.
20-Mar-2013	3	Updated Table 7 , Figure 15 , and Table 30 .

Obsolete Product(s) - Obsolete Product(s)

Please Read Carefully:

Information in this document is provided solely in connection with ST products. STMicroelectronics NV and its subsidiaries ("ST") reserve the right to make changes, corrections, modifications or improvements, to this document, and the products and services described herein at any time, without notice.

All ST products are sold pursuant to ST's terms and conditions of sale.

Purchasers are solely responsible for the choice, selection and use of the ST products and services described herein, and ST assumes no liability whatsoever relating to the choice, selection or use of the ST products and services described herein.

No license, express or implied, by estoppel or otherwise, to any intellectual property rights is granted under this document. If any part of this document refers to any third party products or services it shall not be deemed a license grant by ST for the use of such third party products or services, or any intellectual property contained therein or considered as a warranty covering the use in any manner whatsoever of such third party products or services or any intellectual property contained therein.

UNLESS OTHERWISE SET FORTH IN ST'S TERMS AND CONDITIONS OF SALE ST DISCLAIMS ANY EXPRESS OR IMPLIED WARRANTY WITH RESPECT TO THE USE AND/OR SALE OF ST PRODUCTS INCLUDING WITHOUT LIMITATION IMPLIED WARRANTIES OF MERCHANTABILITY, FITNESS FOR A PARTICULAR PURPOSE (AND THEIR EQUIVALENTS UNDER THE LAWS OF ANY JURISDICTION), OR INFRINGEMENT OF ANY PATENT, COPYRIGHT OR OTHER INTELLECTUAL PROPERTY RIGHT.

ST PRODUCTS ARE NOT AUTHORIZED FOR USE IN WEAPONS. NOR ARE ST PRODUCTS DESIGNED OR AUTHORIZED FOR USE IN: (A) SAFETY CRITICAL APPLICATIONS SUCH AS LIFE SUPPORTING, ACTIVE IMPLANTED DEVICES OR SYSTEMS WITH PRODUCT FUNCTIONAL SAFETY REQUIREMENTS; (B) AERONAUTIC APPLICATIONS; (C) AUTOMOTIVE APPLICATIONS OR ENVIRONMENTS, AND/OR (D) AEROSPACE APPLICATIONS OR ENVIRONMENTS. WHERE ST PRODUCTS ARE NOT DESIGNED FOR SUCH USE, THE PURCHASER SHALL USE PRODUCTS AT PURCHASER'S SOLE RISK, EVEN IF ST HAS BEEN INFORMED IN WRITING OF SUCH USAGE, UNLESS A PRODUCT IS EXPRESSLY DESIGNATED BY ST AS BEING INTENDED FOR "AUTOMOTIVE, AUTOMOTIVE SAFETY OR MEDICAL" INDUSTRY DOMAINS ACCORDING TO ST PRODUCT DESIGN SPECIFICATIONS. PRODUCTS FORMALLY ESCC, QML OR JAN QUALIFIED ARE DEEMED SUITABLE FOR USE IN AEROSPACE BY THE CORRESPONDING GOVERNMENTAL AGENCY.

Resale of ST products with provisions different from the statements and/or technical features set forth in this document shall immediately void any warranty granted by ST for the ST product or service described herein and shall not create or extend in any manner whatsoever, any liability of ST.

ST and the ST logo are trademarks or registered trademarks of ST in various countries.

Information in this document supersedes and replaces all information previously supplied.

The ST logo is a registered trademark of STMicroelectronics. All other names are the property of their respective owners.

© 2013 STMicroelectronics - All rights reserved

STMicroelectronics group of companies

Australia - Belgium - Brazil - Canada - China - Czech Republic - Finland - France - Germany - Hong Kong - India - Israel - Italy - Japan - Malaysia - Malta - Morocco - Philippines - Singapore - Spain - Sweden - Switzerland - United Kingdom - United States of America

www.st.com

X-ON Electronics

Largest Supplier of Electrical and Electronic Components

Click to view similar products for [Board Mount Temperature Sensors](#) category:

Click to view products by [STMicroelectronics](#) manufacturer:

Other Similar products are found below :

[5962-8757102XA](#) [66F115](#) [MCP9808-EMS](#) [MCP98242T-BEMNY](#) [MCP9843T-BEMC](#) [EMC1063-1-ACZL-TR](#) [NCT218FCT2G](#)
[O53GAB175A-160Y](#) [OH10/62,112](#) [3610085020002](#) [389049M9527](#) [TC6501P095VCTTR](#) [TC6501P105VCTTR](#) [MCP9802A0T-M/OT](#)
[MCP9803T-M/SN](#) [MCP9843-BEST](#) [TC6501P115VCTTR](#) [ADM1023ARQZ-REEL](#) [ADM1024ARUZ-REEL](#) [ADM1032ARMZ-1RL](#)
[AT30TS74-U1FMBB-T](#) [AT30TS74-U1FMAB-T](#) [AT30TS74-U1FMCB-T](#) [AT30TS74-U1FMDB-T](#) [ADT7483AARQZ-RL](#) [ADT7481ARMZ-](#)
[REEL](#) [ADT7463ARQZ-REEL](#) [MCP98243T-BEMNY](#) [MCP98243T-BE/MC](#) [66L080-0226](#) [MAX31820MCR+T](#) [MAX1452CAEC8H](#)
[TMP05BKSZ-REEL7](#) [5962-8757103XA](#) [WTK-14-36/N](#) [E52-CA6D-N 4M](#) [MCP98244T-BEMNY](#) [MCP9802A5T-MOT](#) [MAX6581TG9A+T](#)
[DS75S-C11+T&R](#) [S-58LM20A-I4T1U](#) [MAX6501UKP120+T](#) [MCP98243T-BE/ST](#) [AT30TS01-MAA5M-T](#) [NCT375DR2G](#) [DS18S20-](#)
[SL+T&R](#) [MAX6639YAE+](#) [NCT375MNR2G](#) [PT8A3252WE](#) [PT8A3284WE](#)