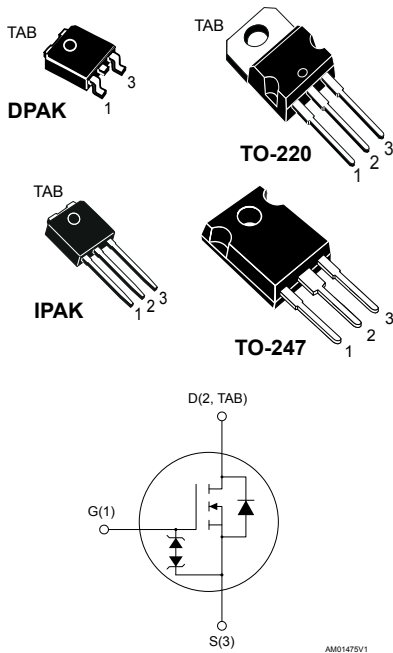


## N-channel 950 V, 1 $\Omega$ typ., 9 A MDmesh™ K5 Power MOSFETs in DPAK, TO-220, IPAK and TO-247 packages



### Features

Order codes	$V_{DS}$	$R_{DS(on)}$ max.	$I_D$	$P_{TOT}$
STD6N95K5	950 V	1.25 $\Omega$	9 A	90 W
STP6N95K5				
STU6N95K5				
STW6N95K5				

- DPAK 950 V worldwide best  $R_{DS(on)}$
- Worldwide best FOM (figure of merit)
- Ultra low gate charge
- 100% avalanche tested
- Zener-protected

### Applications

- Switching applications

### Description

These very high voltage N-channel Power MOSFETs are designed using MDmesh™ K5 technology based on an innovative proprietary vertical structure. The result is a dramatic reduction in on-resistance and ultra-low gate charge for applications requiring superior power density and high efficiency.

#### Product status link

[STD6N95K5](#)

[STP6N95K5](#)

[STU6N95K5](#)

[STW6N95K5](#)

# 1 Electrical ratings

**Table 1. Absolute maximum ratings**

Symbol	Parameter	Value	Unit
$V_{GS}$	Gate- source voltage	$\pm 30$	V
$I_D$	Drain current (continuous) at $T_C = 25\text{ }^\circ\text{C}$	9	A
$I_D$	Drain current (continuous) at $T_C = 100\text{ }^\circ\text{C}$	6	A
$I_{DM}^{(1)}$	Drain current (pulsed)	24	A
$P_{TOT}$	Total dissipation at $T_C = 25\text{ }^\circ\text{C}$	90	W
$I_{AR}^{(2)}$	Max current during repetitive or single pulse avalanche	3	A
$E_{AS}$	Single pulse avalanche energy (starting $T_J = 25\text{ }^\circ\text{C}$ , $I_D = I_{AS}$ , $V_{DD} = 50\text{ V}$ )	90	mJ
$dv/dt^{(3)}$	Peak diode recovery voltage slope	4.5	V/ns
$dv/dt^{(4)}$	MOSFET $dv/dt$ ruggedness	50	V/ns
$T_J$	Operating junction temperature range	- 55 to 150	$^\circ\text{C}$
$T_{stg}$	Storage temperature range		

1. Pulse width limited by safe operating area.
2. Pulse width limited by  $T_{Jmax}$ .
3.  $I_{SD} \leq 9\text{ A}$ ,  $di/dt \leq 100\text{ A}/\mu\text{s}$ ,  $V_{DS(peak)} \leq V_{(BR)DSS}$
4.  $V_{DS} \leq 760\text{ V}$

**Table 2. Thermal data**

Symbol	Parameter	Value			Unit
		TO-220, IPAK	DPAK	TO-247	
$R_{thj-case}$	Thermal resistance junction-case	1.39			$^\circ\text{C}/\text{W}$
$R_{thj-amb}$	Thermal resistance junction-amb	62.5		50	$^\circ\text{C}/\text{W}$
$R_{thj-pcb}^{(1)}$	Thermal resistance junction-pcb		50		$^\circ\text{C}/\text{W}$

1. When mounted on 1 inch<sup>2</sup> FR-4 board, 2 oz Cu

## 2 Electrical characteristics

( $T_{CASE} = 25\text{ °C}$  unless otherwise specified)

**Table 3. On/off states**

Symbol	Parameter	Test conditions	Min.	Typ.	Max.	Unit
$V_{(BR)DSS}$	Drain-source breakdown voltage	$V_{GS} = 0\text{ V}, I_D = 1\text{ mA}$	950			V
$I_{DSS}$	Zero gate voltage drain current	$V_{GS} = 0\text{ V}, V_{DS} = 950\text{ V}$			1	$\mu\text{A}$
		$V_{GS} = 0\text{ V}, V_{DS} = 950\text{ V}, T_c = 125\text{ °C}^{(1)}$			50	$\mu\text{A}$
$I_{GSS}$	Gate body leakage current	$V_{DS} = 0, V_{GS} = \pm 20\text{ V}$			$\pm 10$	$\mu\text{A}$
$V_{GS(th)}$	Gate threshold voltage	$V_{DS} = V_{GS}, I_D = 100\text{ }\mu\text{A}$	3	4	5	V
$R_{DS(on)}$	Static drain-source on-resistance	$V_{GS} = 10\text{ V}, I_D = 3\text{ A}$		1	1.25	$\Omega$

1. Defined by design, not subject to production test.

**Table 4. Dynamic**

Symbol	Parameter	Test conditions	Min.	Typ.	Max.	Unit
$C_{iss}$	Input capacitance	$V_{GS} = 0\text{ V}, V_{DS} = 100\text{ V}, f = 1\text{ MHz}$	-	450	-	pF
$C_{oss}$	Output capacitance		-	30	-	pF
$C_{rss}$	Reverse transfer capacitance		-	1.6	-	pF
$C_{o(tr)}^{(1)}$	Equivalent capacitance time related	$V_{GS} = 0\text{ V}, V_{DS} = 0\text{ to }760\text{ V}$	-	45	-	pF
$C_{o(er)}^{(2)}$	Equivalent capacitance energy related		-	19	-	pF
$R_G$	Intrinsic gate resistance	$f = 1\text{ MHz}, I_D = 0\text{ A}$	-	7	-	$\Omega$
$Q_g$	Total gate charge	$V_{DD} = 760\text{ V}, I_D = 6\text{ A},$ $V_{GS} = 0\text{ to }10\text{ V},$ (see Figure 17. Test circuit for gate charge behavior)	-	13	-	nC
$Q_{gs}$	Gate-source charge		-	3	-	nC
$Q_{gd}$	Gate-drain charge		-	7	-	nC

1.  $C_{o(tr)}$  is a constant capacitance value that gives the same charging time as  $C_{oss}$  while  $V_{DS}$  is rising from 0 to 80%  $V_{DSS}$ .

2.  $C_{o(er)}$  is a constant capacitance value that gives the same stored energy as  $C_{oss}$  while  $V_{DS}$  is rising from 0 to 80%  $V_{DSS}$ .

**Table 5. Switching times**

Symbol	Parameter	Test conditions	Min.	Typ.	Max.	Unit
$t_{d(on)}$	Turn-on delay time	$V_{DD} = 475\text{ V}, I_D = 3\text{ A}, R_G = 4.7\text{ }\Omega,$ $V_{GS} = 10\text{ V}$ (see Figure 16. Test circuit for resistive load switching times and Figure 21. Switching time waveform)	-	12	-	ns
$t_r$	Rise time		-	12	-	ns
$t_{d(off)}$	Turn-off delay time		-	33	-	ns
$t_f$	Fall time		-	21	-	ns

**Table 6. Source drain diode**

Symbol	Parameter	Test conditions	Min.	Typ.	Max.	Unit
$I_{SD}$	Source-drain current		-		9	A
$I_{SDM}^{(1)}$	Source-drain current (pulsed)		-		24	A
$V_{SD}^{(2)}$	Forward on voltage	$I_{SD} = 6\text{ A}, V_{GS} = 0\text{ V}$	-		1.6	V
$t_{rr}$	Reverse recovery time	$I_{SD} = 6\text{ A}, V_{DD} = 60\text{ V}$	-	372		ns
$Q_{rr}$	Reverse recovery charge	$di/dt = 100\text{ A}/\mu\text{s}$ ,	-	4		$\mu\text{C}$
$I_{RRM}$	Reverse recovery current	(see Figure 18. Test circuit for inductive load switching and diode recovery times)	-	22		A
$t_{rr}$	Reverse recovery time	$I_{SD} = 6\text{ A}, V_{DD} = 60\text{ V}$	-	522		ns
$Q_{rr}$	Reverse recovery charge	$di/dt = 100\text{ A}/\mu\text{s}, T_j = 150\text{ }^\circ\text{C}$	-	5		$\mu\text{C}$
$I_{RRM}$	Reverse recovery current	(see Figure 18. Test circuit for inductive load switching and diode recovery times)	-	20		A

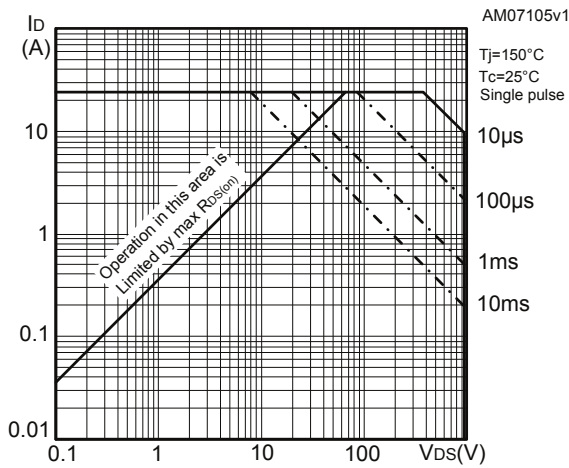
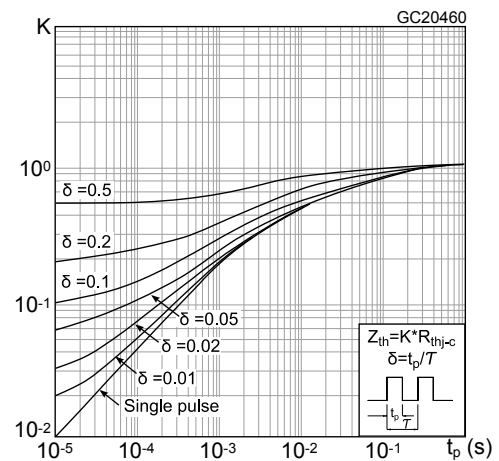
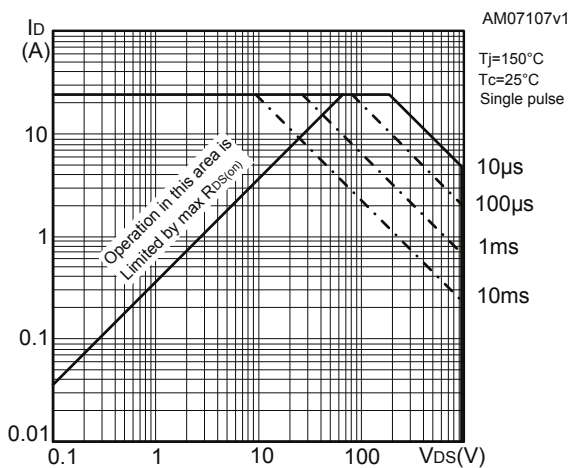
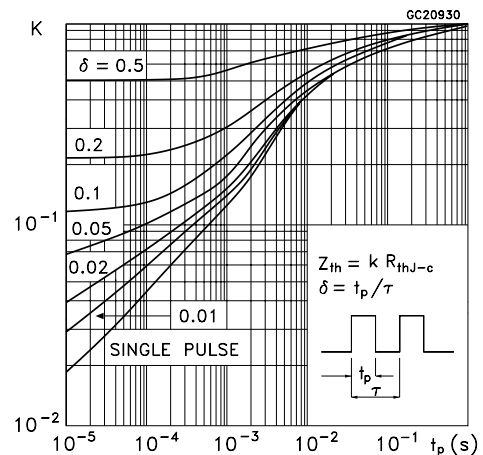
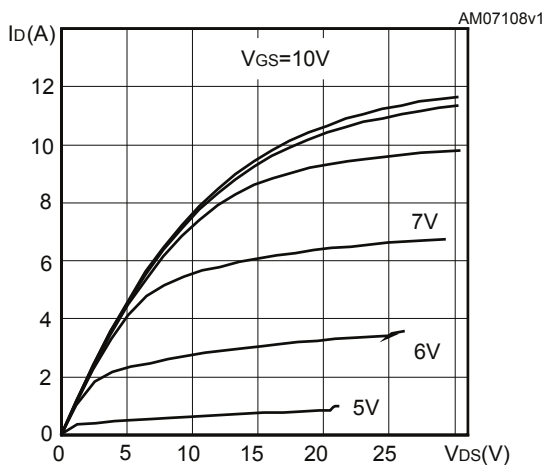
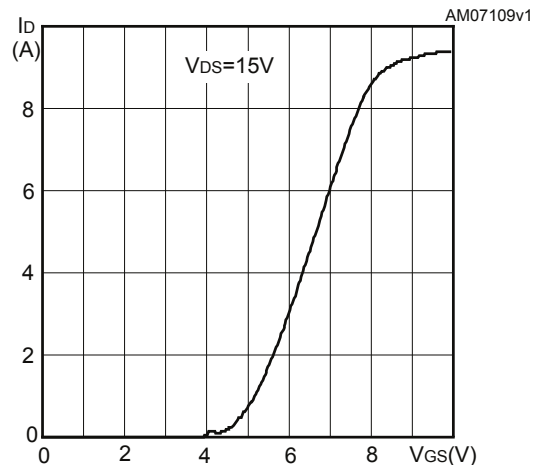
1. Pulse width limited by safe operating area.

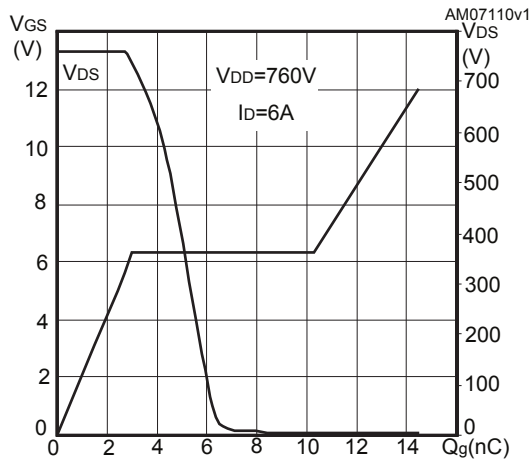
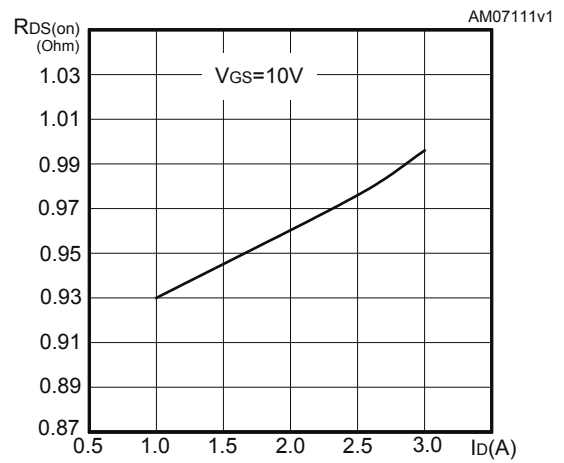
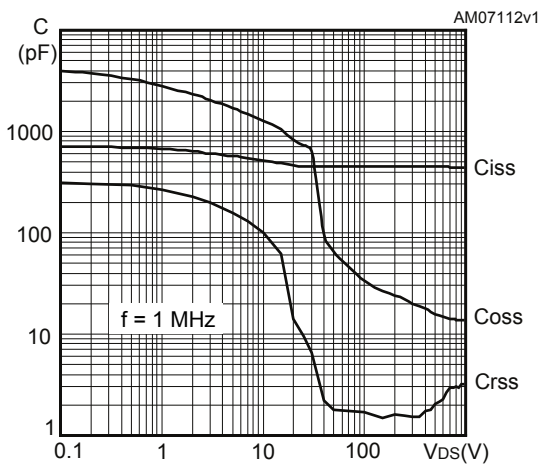
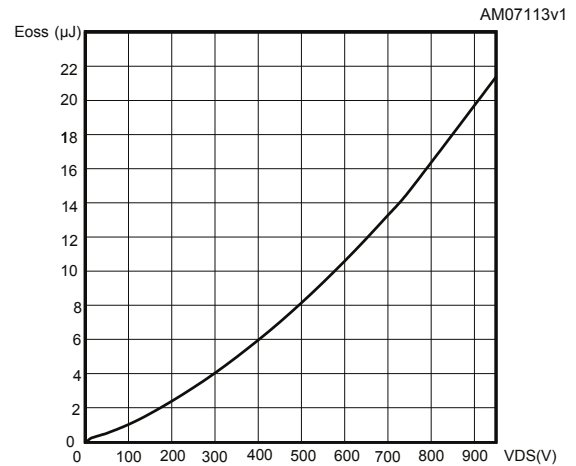
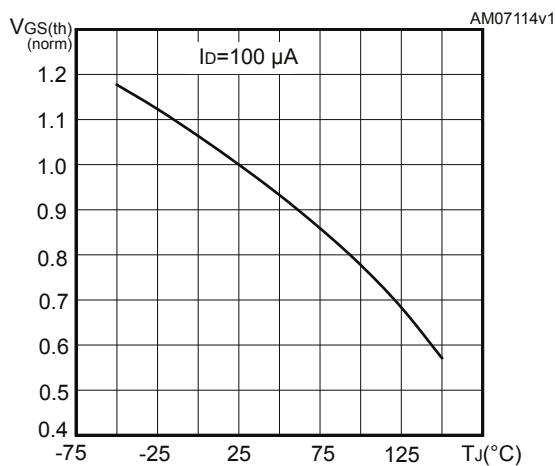
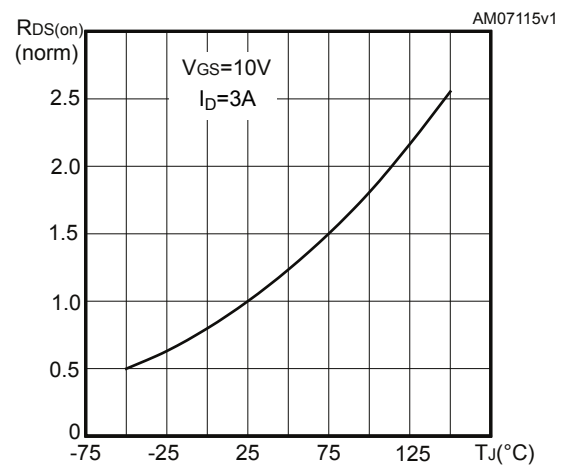
2. Pulsed: pulse duration = 300 $\mu\text{s}$ , duty cycle 1.5%

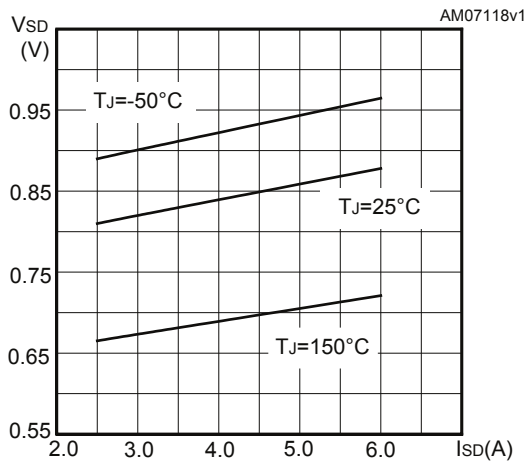
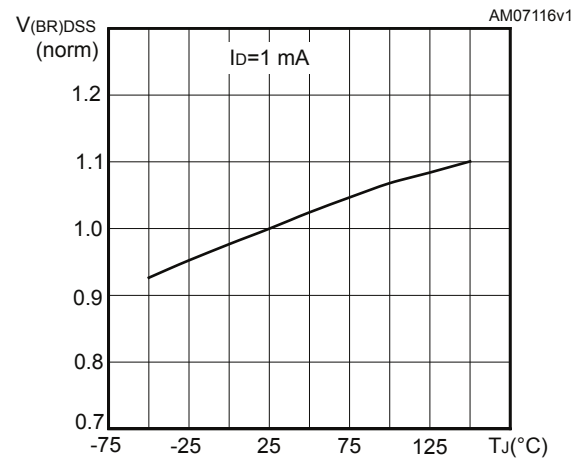
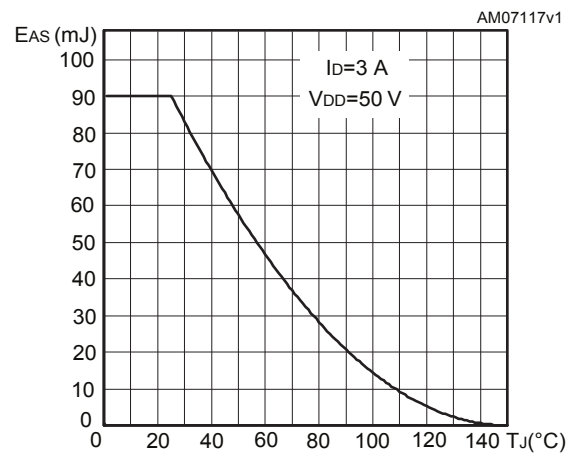
**Table 7. Gate-source Zener diode**

Symbol	Parameter	Test conditions	Min	Typ.	Max.	Unit
$V_{(BR)GSO}$	Gate-source breakdown voltage	$I_{GS} = \pm 1\text{ mA}, I_D = 0\text{ A}$	$\pm 30$	-	-	V

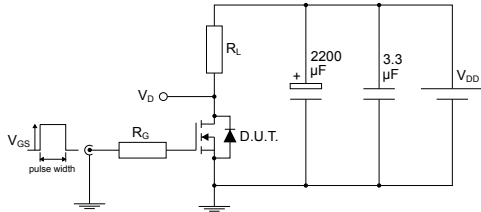
The built-in back-to-back Zener diodes are specifically designed to enhance the ESD performance of the device. The Zener voltage facilitates efficient and cost-effective device integrity protection, thus eliminating the need for additional external componentry.

**2.1 Electrical characteristics (curves)**
**Figure 1. Safe operating area for DPAK and IPAK**

**Figure 2. Thermal impedance for DPAK and IPAK**

**Figure 3. Safe operating area for TO-220 and TO-247**

**Figure 4. Thermal impedance for TO-220 and TO-247**

**Figure 5. Output characteristics**

**Figure 6. Transfer characteristics**


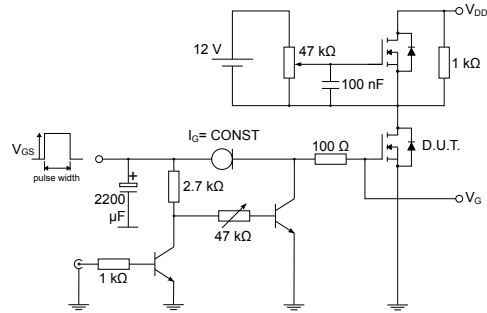
**Figure 7. Gate charge vs gate-source voltage**

**Figure 8. Static drain-source on-resistance**

**Figure 9. Capacitance variations**

**Figure 10. Output capacitance storage energy**

**Figure 11. Normalized gate threshold voltage vs temperature**

**Figure 12. Normalized on-resistance vs temperature**


**Figure 13. Source-drain diode forward characteristics**

**Figure 14. Normalized  $V_{(BR)DSS}$  vs temperature**

**Figure 15. Maximum avalanche energy vs starting  $T_J$** 


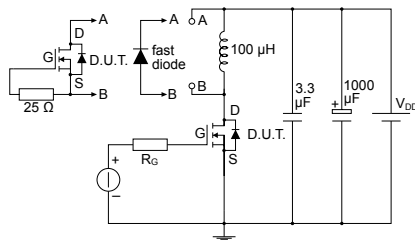
### 3 Test circuits

**Figure 16. Test circuit for resistive load switching times**


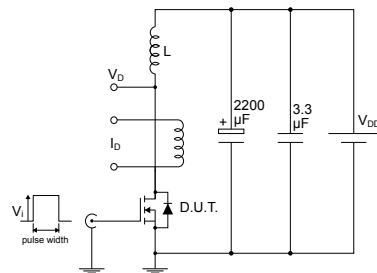
AM01468v1

**Figure 17. Test circuit for gate charge behavior**


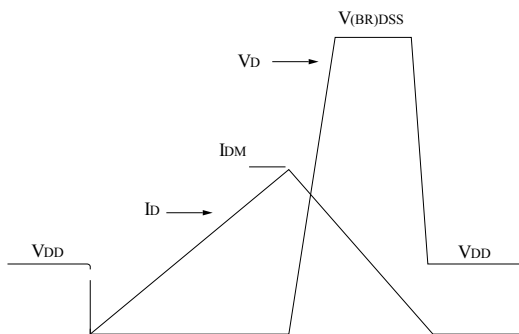
AM01469v1

**Figure 18. Test circuit for inductive load switching and diode recovery times**


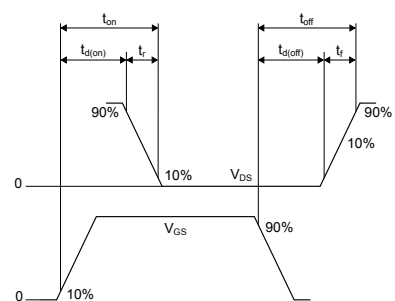
AM01470v1

**Figure 19. Unclamped inductive load test circuit**


AM01471v1

**Figure 20. Unclamped inductive waveform**


AM01472v1

**Figure 21. Switching time waveform**


AM01473v1



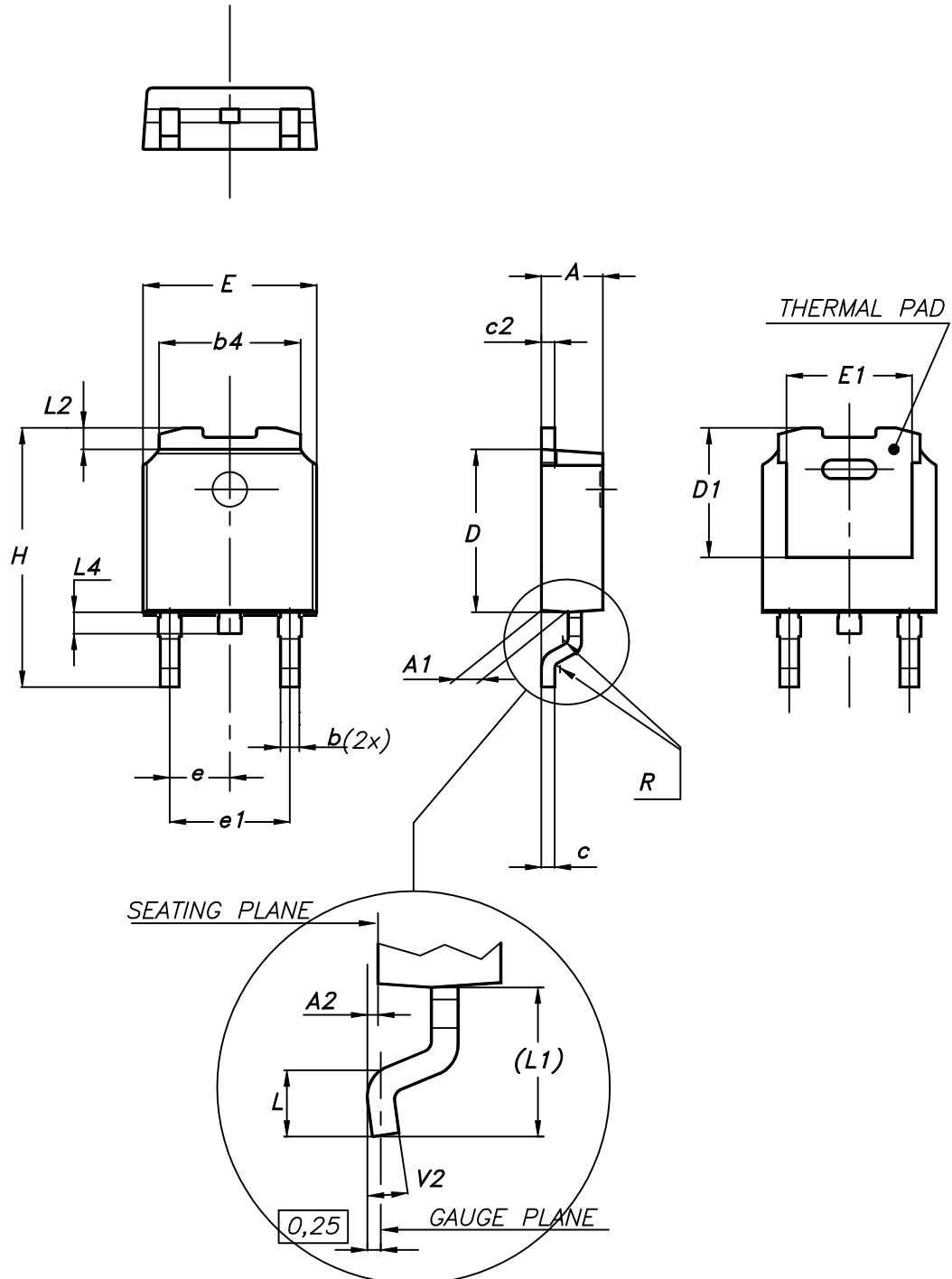
## 4 Package information

---

In order to meet environmental requirements, ST offers these devices in different grades of ECOPACK® packages, depending on their level of environmental compliance. ECOPACK® specifications, grade definitions and product status are available at: [www.st.com](http://www.st.com). ECOPACK® is an ST trademark.

### 4.1 DPAK (TO-252) type A2 package information

Figure 22. DPAK (TO-252) type A2 package outline



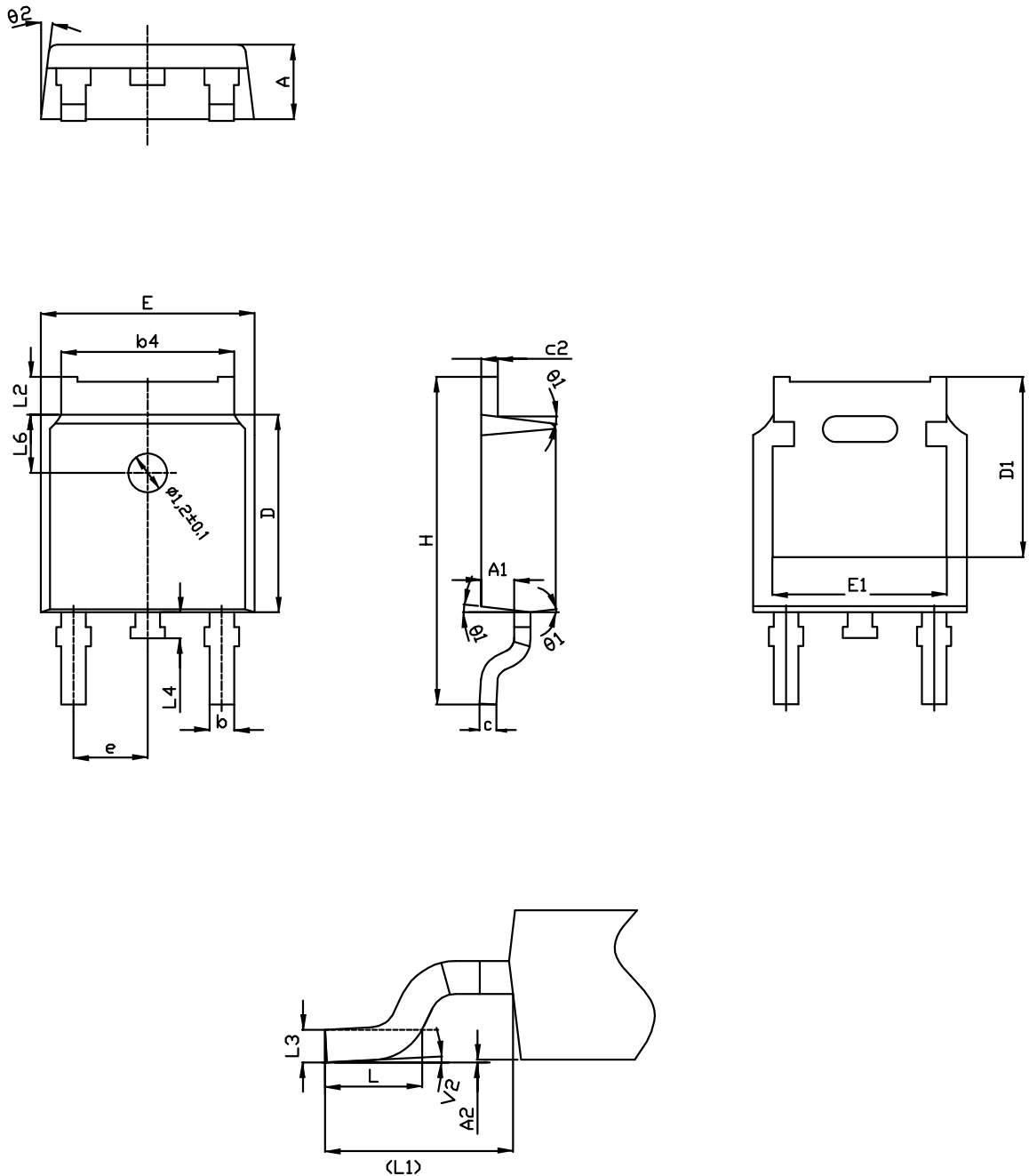
0068772\_type-A2\_rev24

**Table 8. DPAK (TO-252) type A2 mechanical data**

Dim.	mm		
	Min.	Typ.	Max.
A	2.20		2.40
A1	0.90		1.10
A2	0.03		0.23
b	0.64		0.90
b4	5.20		5.40
c	0.45		0.60
c2	0.48		0.60
D	6.00		6.20
D1	4.95	5.10	5.25
E	6.40		6.60
E1	5.10	5.20	5.30
e	2.16	2.28	2.40
e1	4.40		4.60
H	9.35		10.10
L	1.00		1.50
L1	2.60	2.80	3.00
L2	0.65	0.80	0.95
L4	0.60		1.00
R		0.20	
V2	0°		8°

## 4.2 DPAK (TO-252) type C2 package information

Figure 23. DPAK (TO-252) type C2 package outline

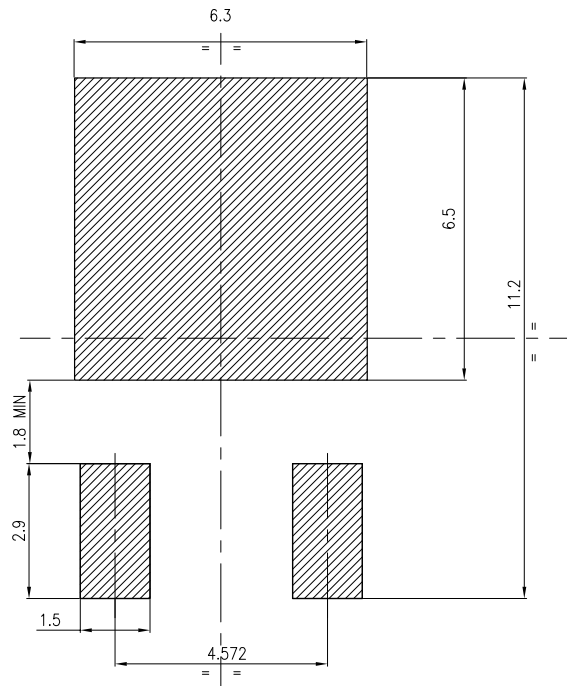


0068772\_C2\_24

**Table 9. DPAK (TO-252) type C2 mechanical data**

Dim.	mm		
	Min.	Typ.	Max.
A	2.20	2.30	2.38
A1	0.90	1.01	1.10
A2	0.00		0.10
b	0.72		0.85
b4	5.13	5.33	5.46
c	0.47		0.60
c2	0.47		0.60
D	6.00	6.10	6.20
D1	5.10		5.60
E	6.50	6.60	6.70
E1	5.20		5.50
e	2.186	2.286	2.386
H	9.80	10.10	10.40
L	1.40	1.50	1.70
L1	2.90 REF		
L2	0.90		1.25
L3	0.51 BSC		
L4	0.60	0.80	1.00
L6	1.80 BSC		
θ1	5°	7°	9°
θ2	5°	7°	9°
V2	0°		8°

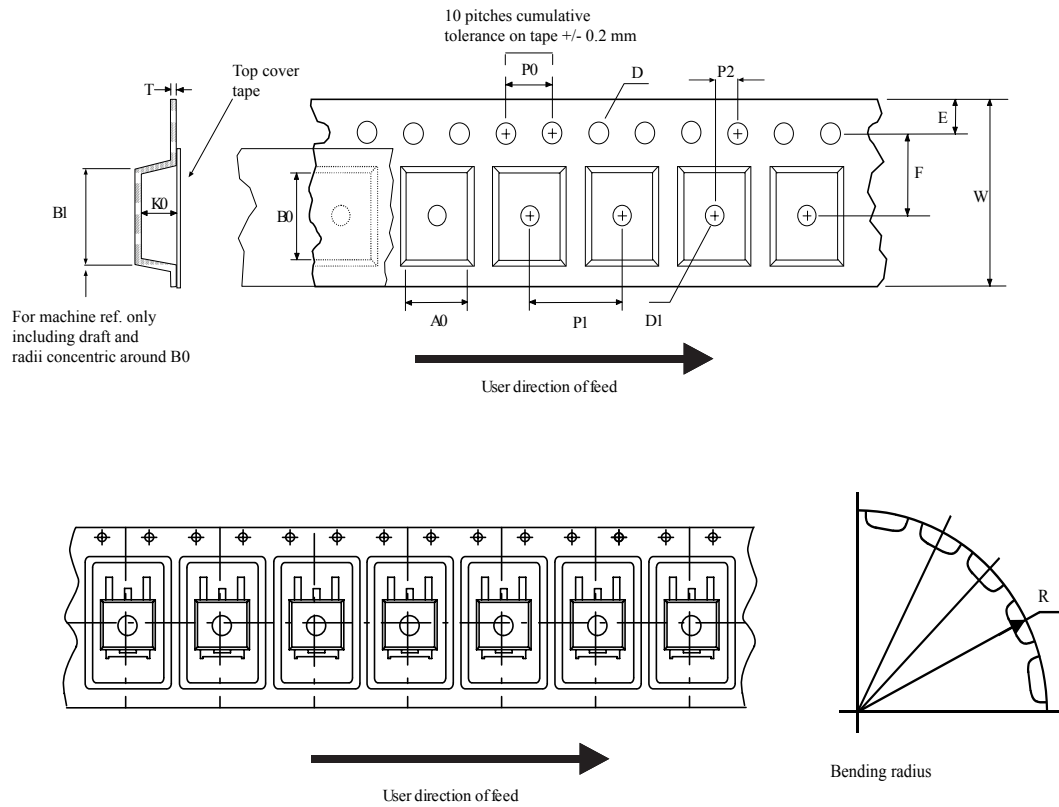
Figure 24. DPAK (TO-252) recommended footprint (dimensions are in mm)



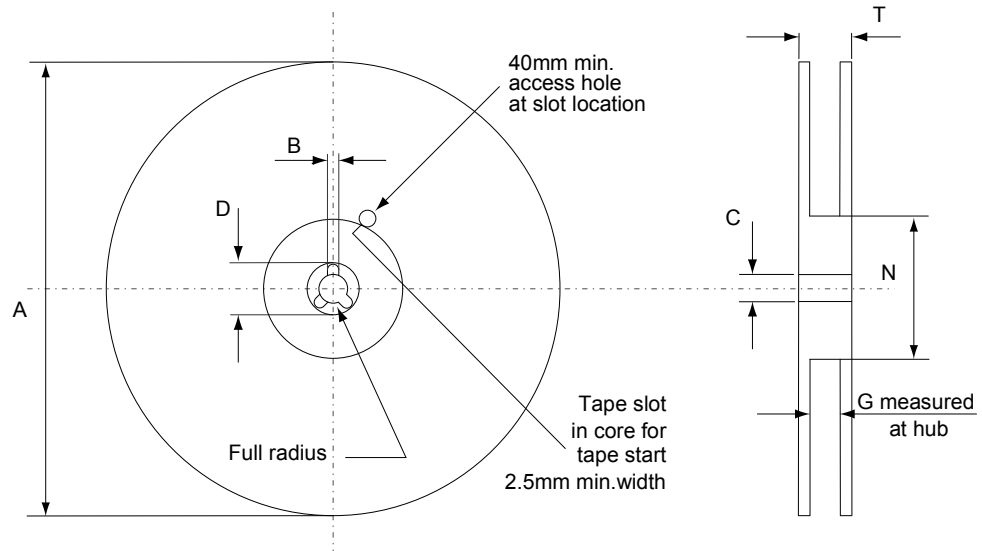
FP\_0068772\_24

### 4.3 DPAK (TO-252) packing information

Figure 25. DPAK (TO-252) tape outline



AM08852v1

**Figure 26. DPAK (TO-252) reel outline**


AM06038v1

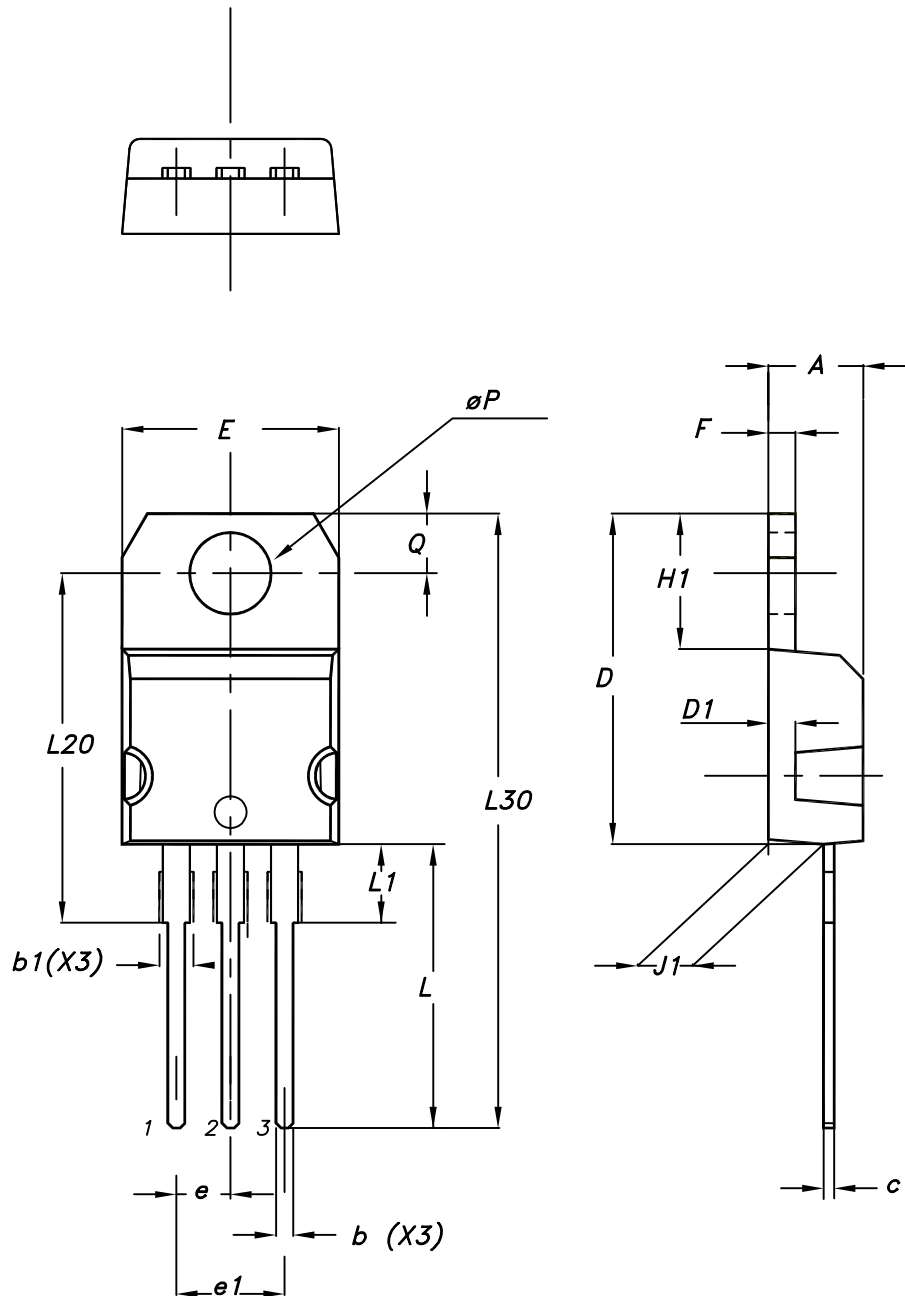
**Table 10. DPAK (TO-252) tape and reel mechanical data**

Tape			Reel		
Dim.	mm		Dim.	mm	
	Min.	Max.		Min.	Max.
A0	6.8	7	A		330
B0	10.4	10.6	B	1.5	
B1		12.1	C	12.8	13.2
D	1.5	1.6	D	20.2	
D1	1.5		G	16.4	18.4
E	1.65	1.85	N	50	
F	7.4	7.6	T		22.4
K0	2.55	2.75			
P0	3.9	4.1	Base qty.		2500
P1	7.9	8.1	Bulk qty.		2500
P2	1.9	2.1			
R	40				
T	0.25	0.35			
W	15.7	16.3			



#### 4.4 TO-220 type A package information

Figure 27. TO-220 type A package outline



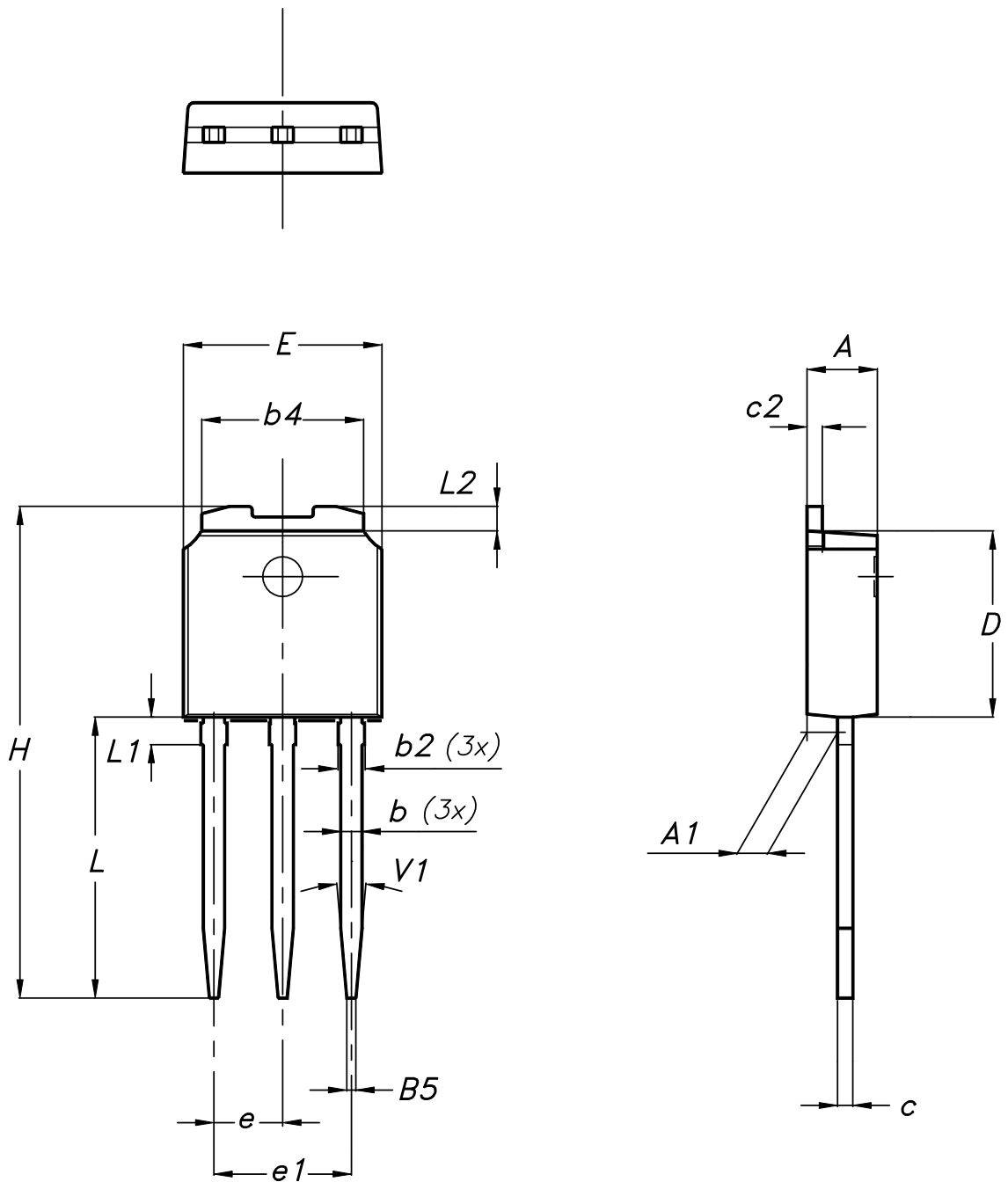
0015988\_typeA\_Rev\_21

**Table 11. TO-220 type A package mechanical data**

Dim.	mm		
	Min.	Typ.	Max.
A	4.40		4.60
b	0.61		0.88
b1	1.14		1.55
c	0.48		0.70
D	15.25		15.75
D1		1.27	
E	10.00		10.40
e	2.40		2.70
e1	4.95		5.15
F	1.23		1.32
H1	6.20		6.60
J1	2.40		2.72
L	13.00		14.00
L1	3.50		3.93
L20		16.40	
L30		28.90	
øP	3.75		3.85
Q	2.65		2.95

#### 4.5 IPAK (TO-251) type A package information

Figure 28. IPAK (TO-251) type A package outline



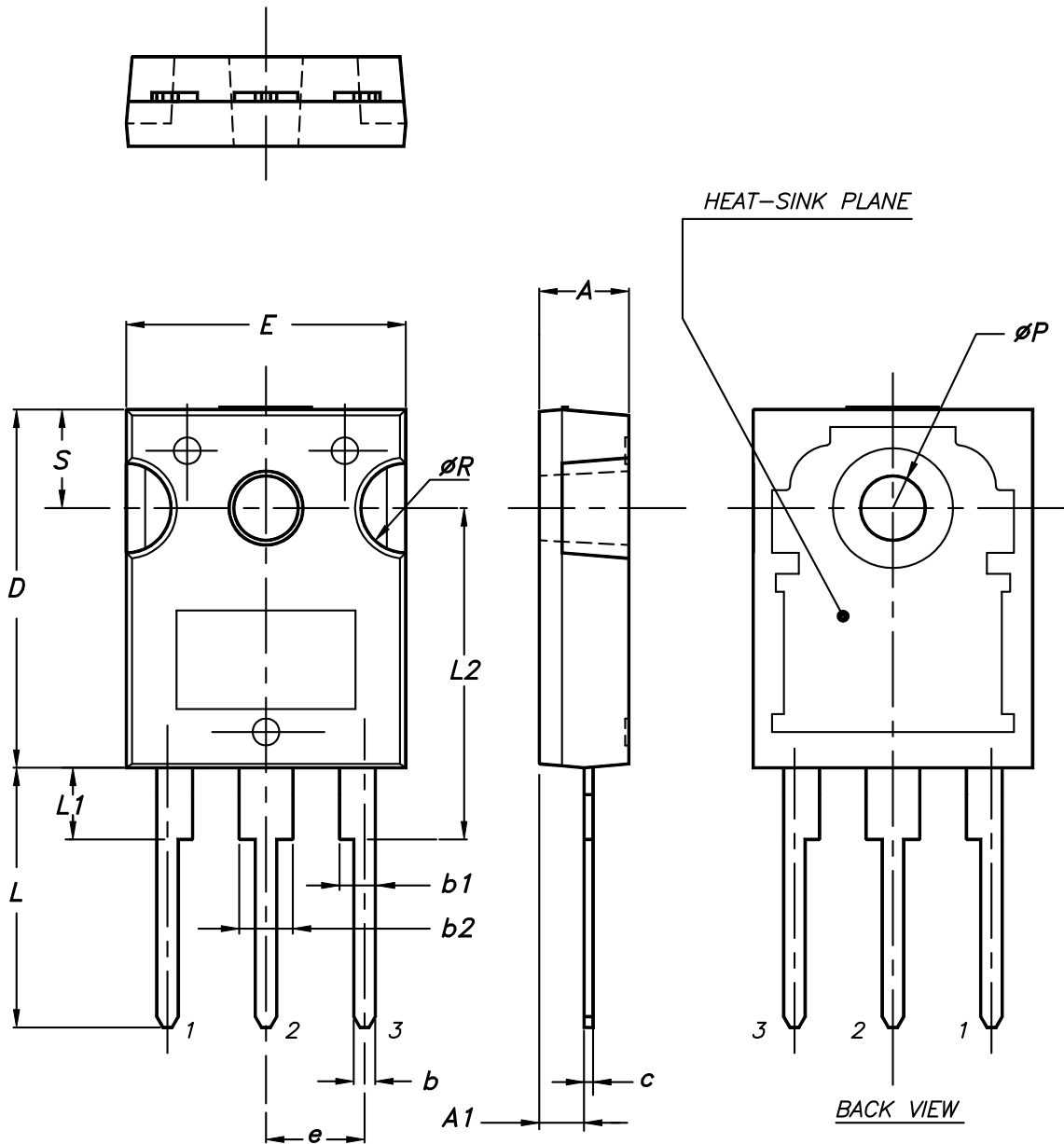
0068771\_IK\_typeA\_rev14

**Table 12. IPAK (TO-251) type A package mechanical data**

Dim.	mm		
	Min.	Typ.	Max.
A	2.20		2.40
A1	0.90		1.10
b	0.64		0.90
b2			0.95
b4	5.20		5.40
B5		0.30	
c	0.45		0.60
c2	0.48		0.60
D	6.00		6.20
E	6.40		6.60
e		2.28	
e1	4.40		4.60
H		16.10	
L	9.00		9.40
L1	0.80		1.20
L2		0.80	1.00
V1		10°	

4.6 TO-247 package information

Figure 29. TO-247 package outline



0075325\_9

**Table 13. TO-247 package mechanical data**

Dim.	mm		
	Min.	Typ.	Max.
A	4.85		5.15
A1	2.20		2.60
b	1.0		1.40
b1	2.0		2.40
b2	3.0		3.40
c	0.40		0.80
D	19.85		20.15
E	15.45		15.75
e	5.30	5.45	5.60
L	14.20		14.80
L1	3.70		4.30
L2		18.50	
ØP	3.55		3.65
ØR	4.50		5.50
S	5.30	5.50	5.70

## 5 Ordering information

Table 14. Ordering information

Order code	Marking	Package	Packing
STD6N95K5	6N95K5	DPAK	Tape and reel
STP6N95K5	6N95K5	TO-220	Tube
STU6N95K5	6N95K5	IPAK	Tube
STW6N95K5	6N95K5	TO-247	Tube

## Revision history

**Table 15. Document revision history**

Date	Revision	Changes
12-Jan-2010	1	First release.
01-Jul-2010	2	Document status promoted from preliminary data to datasheet.
31-Aug-2012	3	<p>Inserted new device in IPAK.</p> <p>Updated <i>Table 1: Device summary</i>, <i>Table 2: Absolute maximum ratings</i>, and <i>Table 3: Thermal data</i>.</p> <p>Updated <i>Section 4: Package mechanical data</i> and <i>Section 5: Packaging mechanical data</i>.</p> <p>Minor text changes in the cover page.</p>
16-May-2014	4	<p>The part number STF6N95K5 has been moved to a separate datasheet.</p> <p>Added: MOSFET dv/dt ruggedness parameter in <i>Table 2</i></p> <p>Updated: <i>Section 4: Package mechanical data</i></p> <p>Minor text changes</p>
22-Mar-2018	5	<p>Removed maturity status indication and updated title and description from cover page.</p> <p>The document status is production data.</p> <p>Updated <a href="#">Section 1 Electrical ratings</a>, <a href="#">Section 2 Electrical characteristics</a>.</p> <p>Updated <a href="#">Figure 9. Capacitance variations</a> and <a href="#">Figure 12. Normalized on-resistance vs temperature</a>.</p> <p>Updated <a href="#">Section 4 Package information</a>.</p> <p>Minor text changes.</p>



## Contents

<b>1</b>	<b>Electrical ratings</b> .....	<b>2</b>
<b>2</b>	<b>Electrical characteristics</b> .....	<b>3</b>
<b>2.1</b>	Electrical characteristics (curves).....	5
<b>3</b>	<b>Test circuits</b> .....	<b>8</b>
<b>4</b>	<b>Package information</b> .....	<b>9</b>
<b>4.1</b>	DPAK (TO-252) type A2 package information .....	10
<b>4.2</b>	DPAK (TO-252) type C2 package information .....	12
<b>4.3</b>	DPAK (TO-252) packing information .....	15
<b>4.4</b>	TO-220 type A package information .....	17
<b>4.5</b>	IPAK (TO-251) type A package information .....	19
<b>4.6</b>	TO-247 package information .....	21
<b>5</b>	<b>Ordering information</b> .....	<b>23</b>
	<b>Revision history</b> .....	<b>24</b>



**IMPORTANT NOTICE – PLEASE READ CAREFULLY**

STMicroelectronics NV and its subsidiaries (“ST”) reserve the right to make changes, corrections, enhancements, modifications, and improvements to ST products and/or to this document at any time without notice. Purchasers should obtain the latest relevant information on ST products before placing orders. ST products are sold pursuant to ST’s terms and conditions of sale in place at the time of order acknowledgement.

Purchasers are solely responsible for the choice, selection, and use of ST products and ST assumes no liability for application assistance or the design of Purchasers’ products.

No license, express or implied, to any intellectual property right is granted by ST herein.

Resale of ST products with provisions different from the information set forth herein shall void any warranty granted by ST for such product.

ST and the ST logo are trademarks of ST. All other product or service names are the property of their respective owners.

Information in this document supersedes and replaces information previously supplied in any prior versions of this document.

© 2018 STMicroelectronics – All rights reserved

## X-ON Electronics

Largest Supplier of Electrical and Electronic Components

*Click to view similar products for [MOSFET](#) category:*

*Click to view products by [STMicroelectronics](#) manufacturer:*

Other Similar products are found below :

[614233C](#) [648584F](#) [IRFD120](#) [JANTX2N5237](#) [FCA20N60\\_F109](#) [FDZ595PZ](#) [2SK2545\(Q,T\)](#) [405094E](#) [423220D](#) [TPCC8103,L1Q\(CM](#)  
[MIC4420CM-TR](#) [VN1206L](#) [SBVS138LT1G](#) [614234A](#) [715780A](#) [NTNS3166NZT5G](#) [SSM6J414TU,LF\(T](#) [751625C](#) [BUK954R8-60E](#)  
[DMN3404LQ-7](#) [NTE6400](#) [SQJ402EP-T1-GE3](#) [2SK2614\(TE16L1,Q\)](#) [2N7002KW-FAI](#) [DMN1017UCP3-7](#) [EFC2J004NUZTDG](#) [ECH8691-](#)  
[TL-W](#) [FCAB21350L1](#) [P85W28HP2F-7071](#) [DMN1053UCP4-7](#) [NTE221](#) [NTE2384](#) [NTE2903](#) [NTE2941](#) [NTE2945](#) [NTE2946](#) [NTE2960](#)  
[NTE2967](#) [NTE2969](#) [NTE2976](#) [NTE455](#) [NTE6400A](#) [NTE2910](#) [NTE2916](#) [NTE2956](#) [NTE2911](#) [DMN2080UCB4-7](#) [TK10A80W,S4X\(S](#)  
[SSM6P69NU,LF](#) [DMP22D4UFO-7B](#)