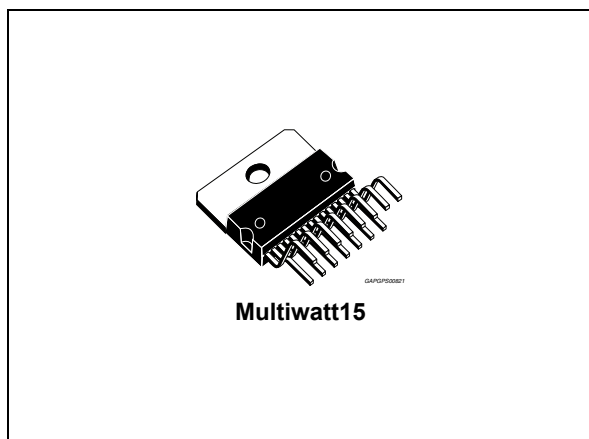


2 x 35 W Power amplifier for car radio

Datasheet - production data



Features

- High output power capability:
 - 2 x 40 W max./ 4 Ω
 - 2 x 35 W/4 Ω EIAJ
 - 2 x 25 W/4 Ω (14.4 V, 1 kHz, 10 %)
 - 2 x 25 W/ 2 Ω (14.4 V, 1 kHz, 10 %)
- 2 Ω driving
- Differential inputs
- Minimum external components count
- Internally fixed gain (26 db)
- Mute function (cmos compatible)
- Automute at minimum supply voltage detection
- Standby function
- No audible pop during mute and standby operations
- Clipping detector with programmable distortion threshold

- Protections:
 - short circuit (out to ground, out to supply voltage, across the load)
 - overrating chip temperature with soft thermal limiter
 - load dump voltage
 - fortuitous open ground
 - loudspeaker dc current
 - ESD

Description

The TDA7376B is a new technology dual bridge audio amplifier in Multiwatt 15 package designed for car radio applications. Thanks to the fully complementary PNP/NPN output stage configuration the TDA7376B delivers a rail-to-rail voltage swing with no need of bootstrap capacitors.

Differential input pairs, that will accept either single ended or differential input signals, guarantee high noise immunity making the device suitable for both car radio and car boosters applications.

The audio mute control, that attenuates the output signal of the audio amplifiers, suppresses pop On - Off transients and cuts any noises coming from previous stages. The standby control, that de-biases the amplifiers, reduces the cost of the power switch. The on-board programmable distortion detector allows compression facility whenever the amplifier is over driven, so limiting the distortion at any levels inside the presettable range.

Table 1. Device summary

Order code	Package	Packing
TDA7376B	Multiwatt15	Tube

Contents

1	Block and pin connection diagrams	5
1.1	Block diagram	5
1.2	Pin connection	6
2	Test and application circuits	7
3	Electrical specifications	9
3.1	Absolute maximum ratings	9
3.2	Thermal data	9
3.3	Electrical characteristics	9
3.4	Electrical characteristics curves	11
4	Package information	13
5	Revision history	14

List of tables

Table 1.	Device summary	1
Table 2.	Absolute maximum ratings	9
Table 3.	Thermal data	9
Table 4.	Electrical characteristics	9
Table 5.	Document revision history	14

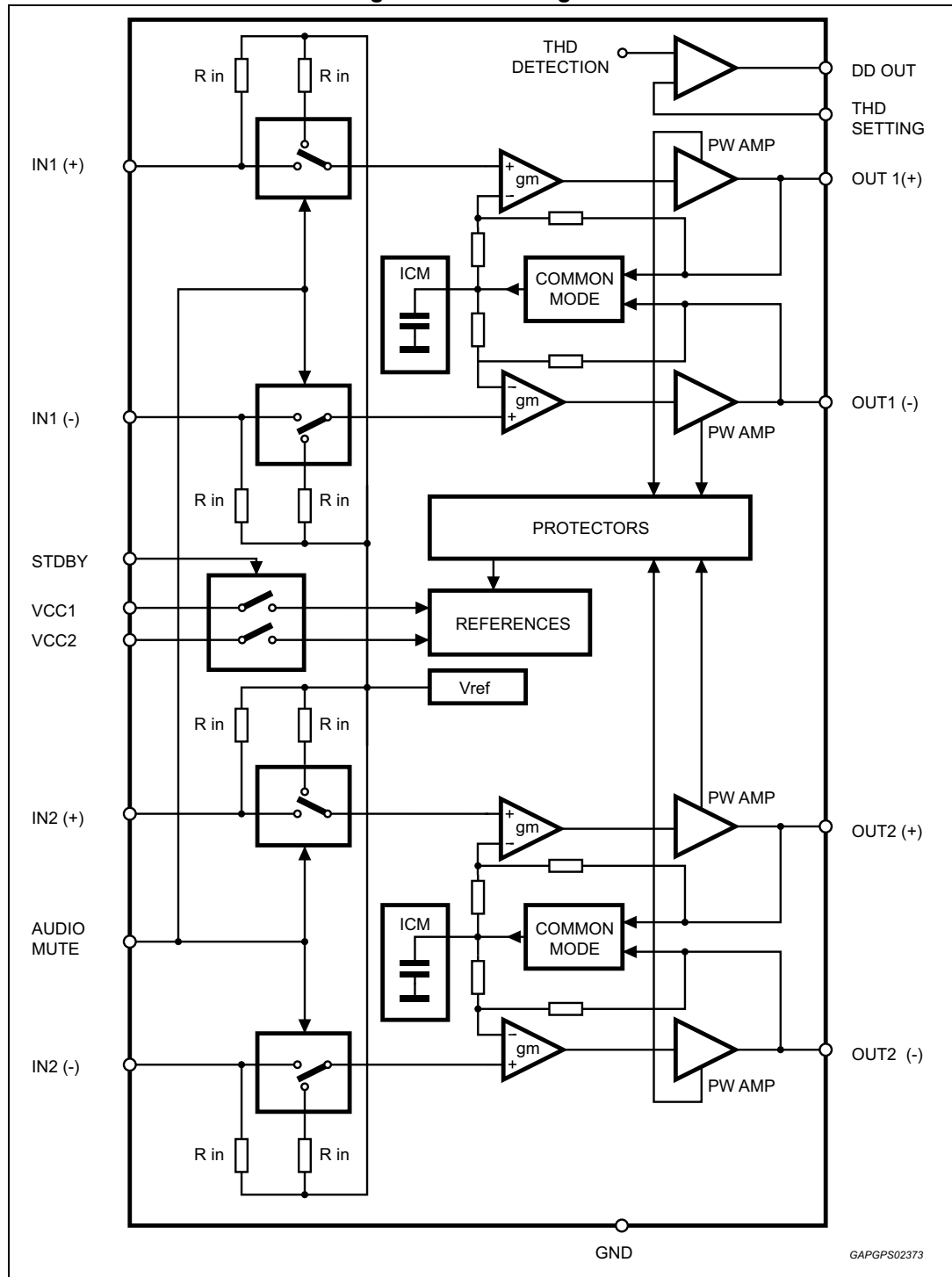
List of figures

Figure 1.	Block diagram	5
Figure 2.	Pin connection diagram (top view)	6
Figure 3.	Differential inputs test and application circuit	7
Figure 4.	Single ended inputs test and application circuit	7
Figure 5.	Application board reference circuit	8
Figure 6.	Printed circuit board and components layout of the circuit of figure 5	8
Figure 7.	Clip detector threshold vs. THD set. voltage	11
Figure 8.	Quiescent current vs. supply voltage	11
Figure 9.	Output power vs. supply voltage.	11
Figure 10.	Output power vs. supply voltage.	11
Figure 11.	EIAJ power vs. supply voltage	11
Figure 12.	THD vs. frequency	11
Figure 13.	THD vs. output power ($R_L = 4 \Omega$)	12
Figure 14.	THD vs. output power ($R_L = 2 \Omega$)	12
Figure 15.	Dissipated power & efficiency vs. output power	12
Figure 16.	SVR vs. frequency	12
Figure 17.	CMRR vs. frequency.	12
Figure 18.	Crosstalk vs. frequency	12
Figure 19.	Multiwatt15 (vertical) mechanical data and package dimensions.	13

1 Block and pin connection diagrams

1.1 Block diagram

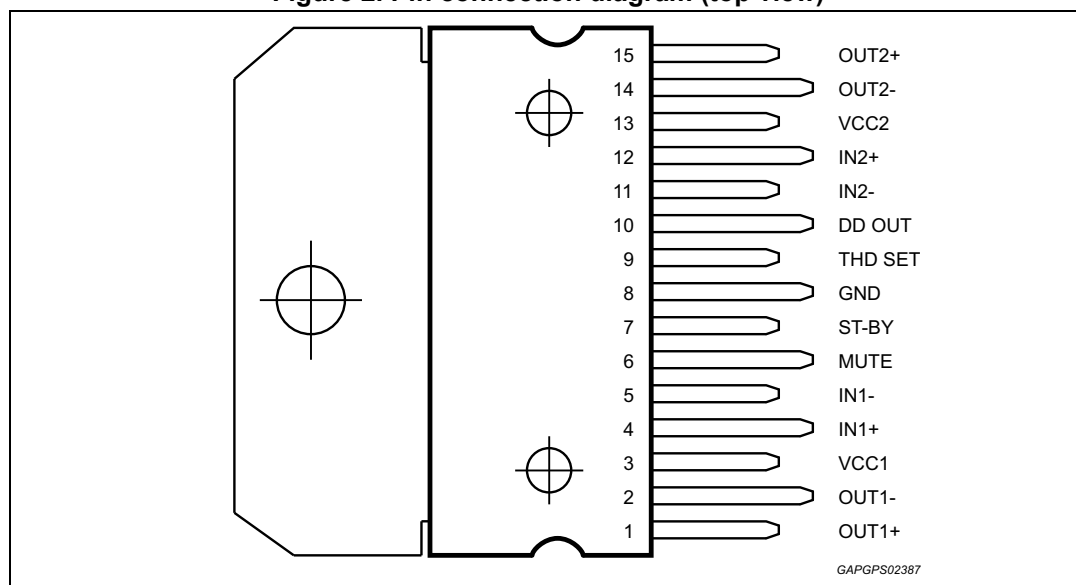
Figure 1. Block diagram



GAPGPS02373

1.2 Pin connection

Figure 2. Pin connection diagram (top view)



2 Test and application circuits

Figure 3. Differential inputs test and application circuit

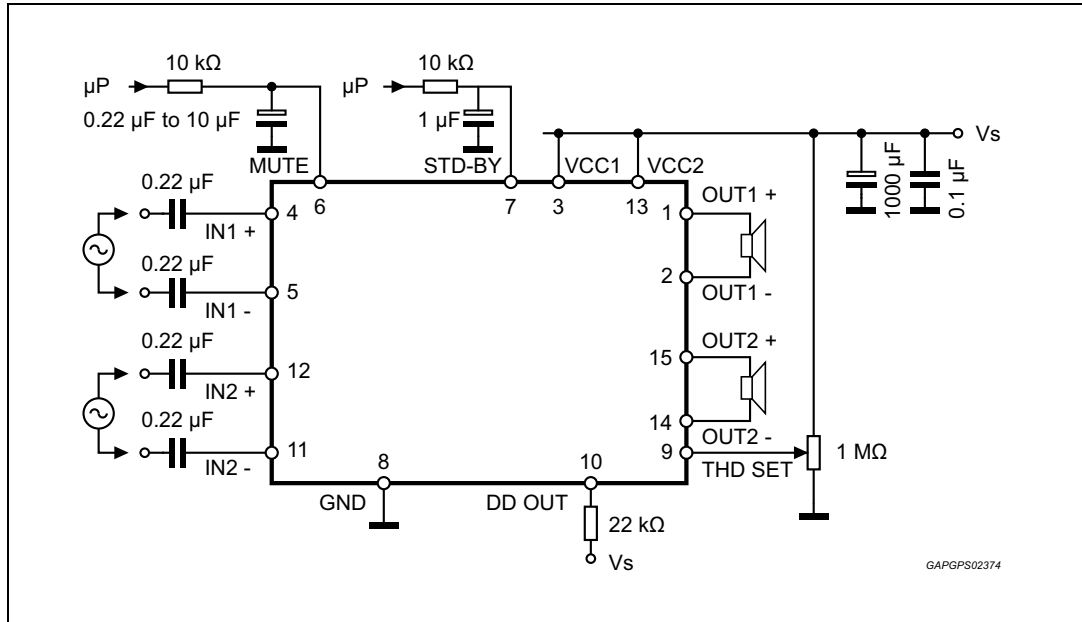


Figure 4. Single ended inputs test and application circuit

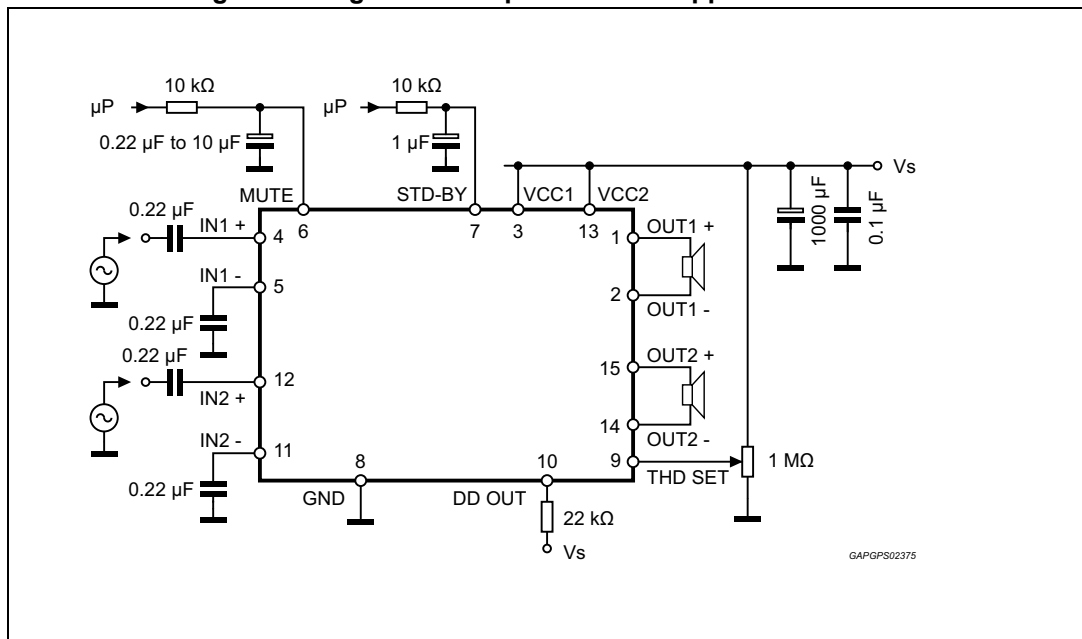


Figure 5. Application board reference circuit

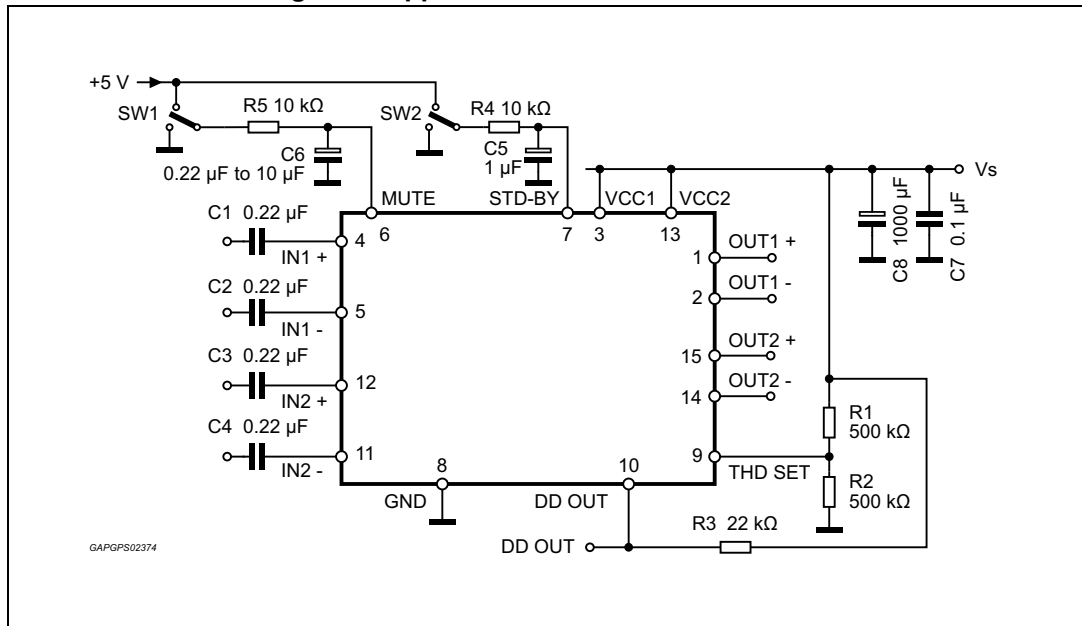
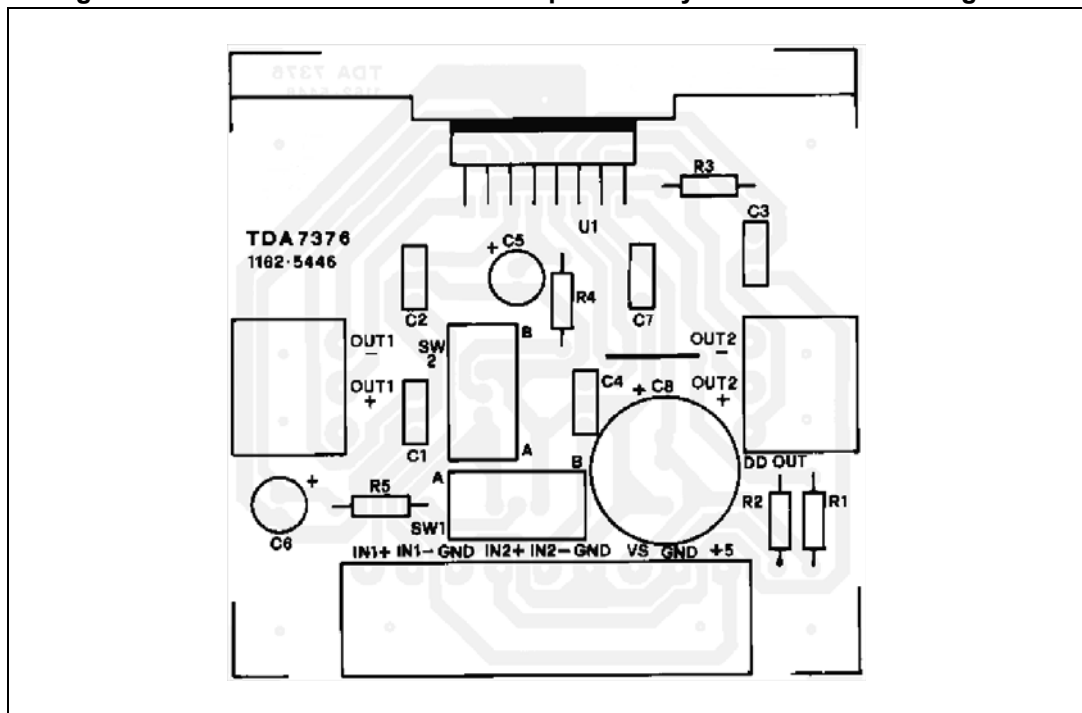


Figure 6. Printed circuit board and components layout of the circuit of figure 5



3 Electrical specifications

3.1 Absolute maximum ratings

Table 2. Absolute maximum ratings

Symbol	Parameter	Value	Unit
V_{OP}	Operating supply voltage	18	V
V_S	DC supply voltage	28	V
V_{peak}	Peak supply voltage (t = 50 ms)	50	V
I_O	Output Peak Current (not repetitive t = 100 μ s)	8	A
	Output Peak Current (repetitive f > 10 Hz)	6	A
P_{tot}	Power Dissipation $T_{case} = 85\text{ }^\circ\text{C}$	36	W
T_{stg}, T_j	Storage and junction temperature ⁽¹⁾	-40 to 150	$^\circ\text{C}$
T_{amb}	Operative ambient temperature range	-40 to 105	$^\circ\text{C}$

1. A suitable heatsink/dissipation system should be used to keep T_j inside specified limits.

3.2 Thermal data

Table 3. Thermal data

Symbol	Parameter	Value	Unit
$R_{th\ j-case}$	Thermal Resistance Junction to case	Max 1.8	$^\circ\text{C}/\text{W}$

3.3 Electrical characteristics

Refer to the test circuits figures 3 and 4, $V_S = 14.4\text{ V}$; $R_L = 4\ \Omega$; $f = 1\text{ kHz}$; $T_{amb} = 25\text{ }^\circ\text{C}$, unless otherwise specified.

Table 4. Electrical characteristics

Symbol	Parameter	Test condition	Min.	Typ.	Max.	Unit
V_S	Supply voltage range	-	8	-	18	V
I_d	Total quiescent drain current	$R_L = \infty$	-	-	200	mA
V_{OS}	Output offset voltage	-	-	-	120	mV
P_O	Output power	THD = 10%;	23	25	-	W
		THD = 10%; $R_L = 2\ \Omega$	33	37	-	W
$P_{O\ max}$	Max. output power ⁽¹⁾	-	36	40	-	W
$P_{O\ EIAJ}$	EIAJ output power ⁽¹⁾	$V_S = 13.7\text{ V}$	32	35	-	W
THD	Distortion	$P_O = 0.5\text{ to }10\text{ W}$	-	0.03	-	%
		$P_O = 0.5\text{ to }15\text{ W}$	-	0.08	-	%

Table 4. Electrical characteristics (continued)

Symbol	Parameter	Test condition	Min.	Typ.	Max.	Unit
C _T	Cross talk	f = 1 kHz; R _g	-	80	-	dB
		f = 10 kHz; R _g	-	70	-	dB
R _{IN}	Input Impedance	differential input	45	-	-	kΩ
		Single Ended input	40	-	-	kΩ
G _V	Voltage gain	differential input	25	26	27	dB
		Single Ended input	25	26	27	dB
ΔG _V	Channel gain balance	-	-	-	1	dB
E _{IN}	Input Noise Voltage	R _g = 600 Ω; "A" weighted	-	3	-	μV
		R _g = 600 Ω; 22 Hz to 33 kHz	-	4	6	μV
SVR	Supply Voltage Rejection	f = 100 Hz; V _r = 1 Vrms; R _g = 0;	45	-	-	dB
		f = 10 Hz; V _r = 1V rms; R _g = 0;	-	55	-	dB
BW	Power bandwidth	(-3dB)	75	-	-	kHz
CMRR	Common mode rejection ratio	V _{CM} = 1 Vrms input referred	60	-	-	dB
A _{SB}	Standby Attenuation	V _{SB} = 1.5V; P _{O ref} = 1W	80	90	-	dB
V _{SB IN}	Standby In threshold	-	-	-	1.5	V
V _{SB OUT}	Standby Out threshold	-	3.5	-	-	V
I _{sb}	Standby current consumption	-	-	-	100	μA
A _M	Mute attenuation	V _M = 1.5 V; P _{O ref} = 1 W	-	85	-	dB
V _{M IN}	Mute In threshold	-	-	-	1.5	V
V _{M OUT}	Mute Out threshold	-	3.5	-	-	V
I ₆	Mute pin current	V ₆ = 0 to V _S ; V _{S max.} = 18V	-	-	100	μA
D _{DL}	Distortion detection level ⁽²⁾	-	3.5	-	-	%
D _{DOUT}	Distortion detector output dc current	Output low, sinked current (V _{pin10} = 1.5V)	1	-	-	mA
		Output high, leakage current (V _{pin10} = V _S , @ V _{Smax} = 18V)	-	-	10	μA

1. Saturated square wave output.
2. see figure 5 for THD setting. [Figure 7](#).

The TDA7376B is equipped with a programmable clipping distortion detector circuitry that allows to signal out the output stage saturation by providing a current sinking into an open collector output (DDout) when the total harmonic distortion of the output signal reaches the preset level.

The desired threshold is fixed through an external divider that produces a proper voltage level across the THD set pin. [Figure 7](#) shows the THD detection threshold versus the THD set voltage. Since it is essential that the THD set voltage be proportional to the supply voltage, [Figure 7](#) shows its value as a fraction of VCC.

The actual voltage can be computed by multiplying the fraction corresponding to the desired THD threshold by the application's supply voltage.

3.4 Electrical characteristics curves

Figure 7. Clip detector threshold vs. THD set. voltage

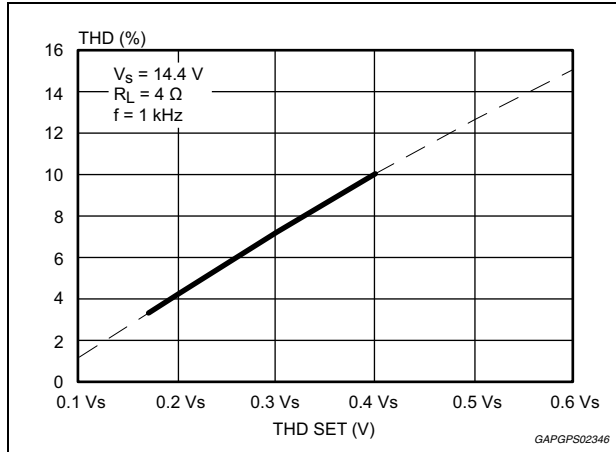


Figure 9. Output power vs. supply voltage

Figure 8. Quiescent current vs. supply voltage

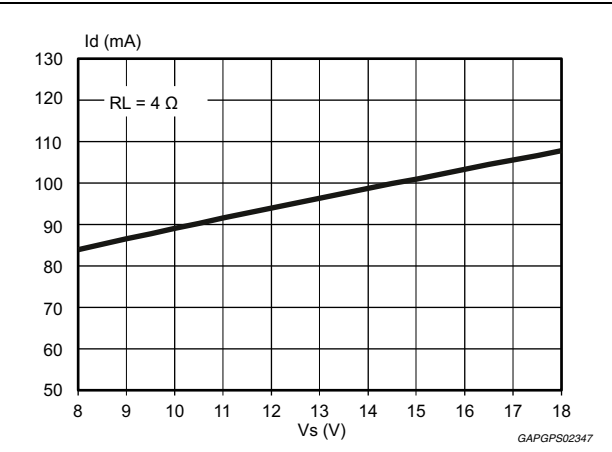


Figure 10. Output power vs. supply voltage

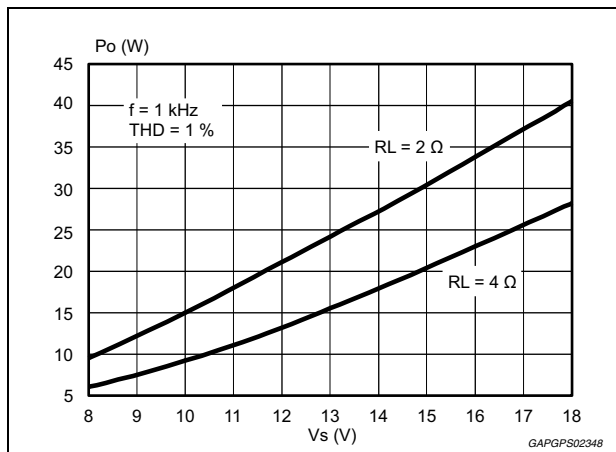


Figure 11. EIAJ power vs. supply voltage

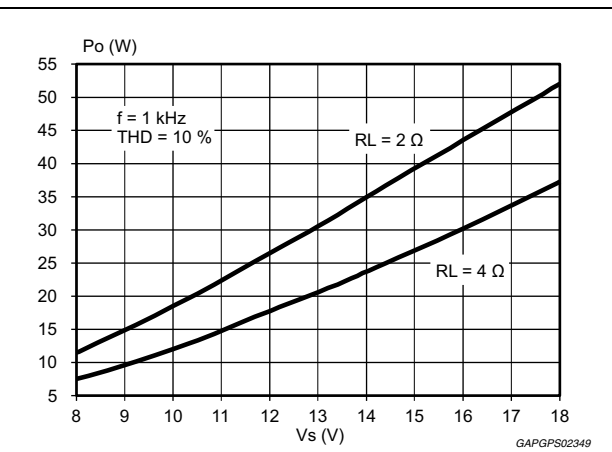


Figure 12. THD vs. frequency

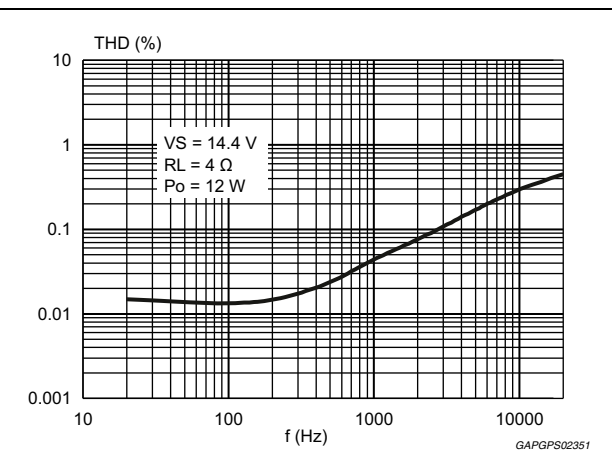
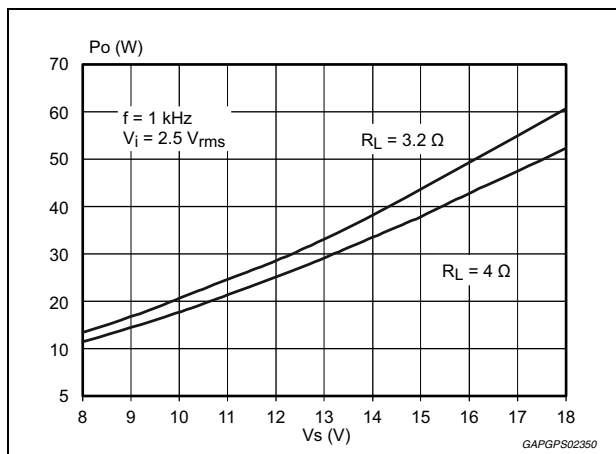


Figure 13. THD vs. output power ($R_L = 4 \Omega$)

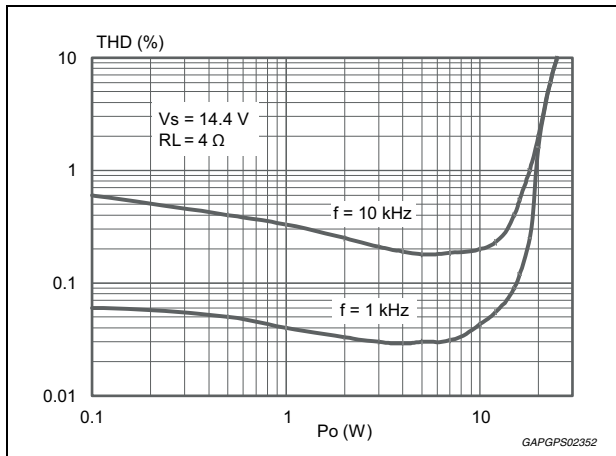


Figure 14. THD vs. output power ($R_L = 2 \Omega$)

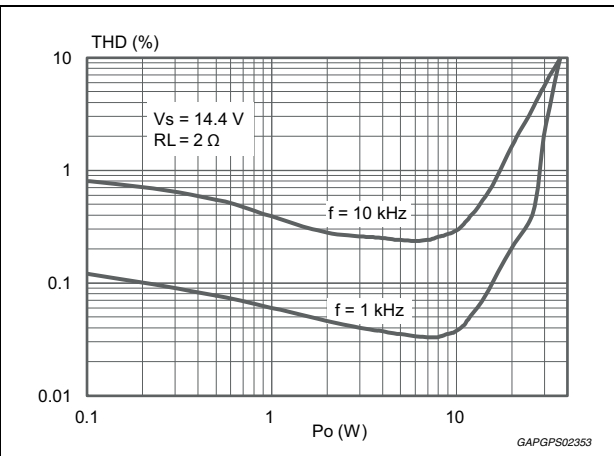


Figure 15. Dissipated power & efficiency vs. output power

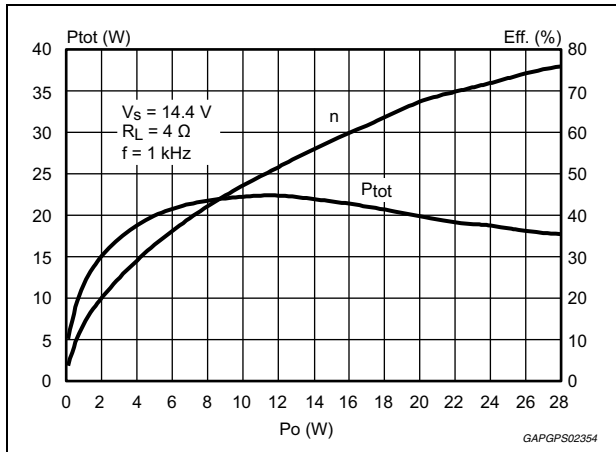


Figure 16. SVR vs. frequency

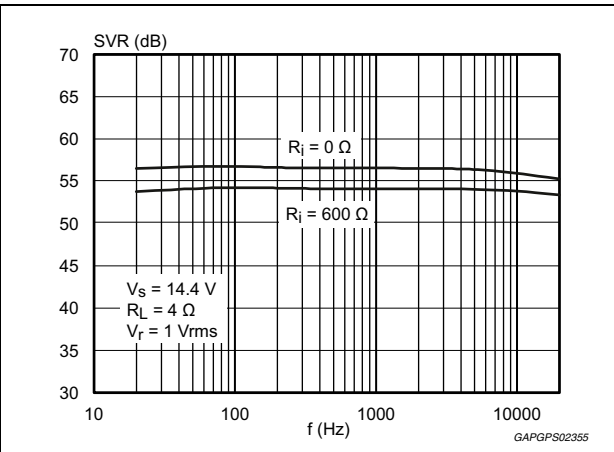


Figure 17. CMRR vs. frequency

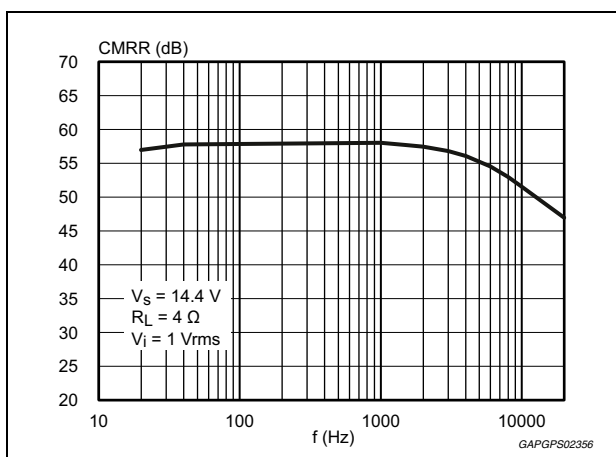
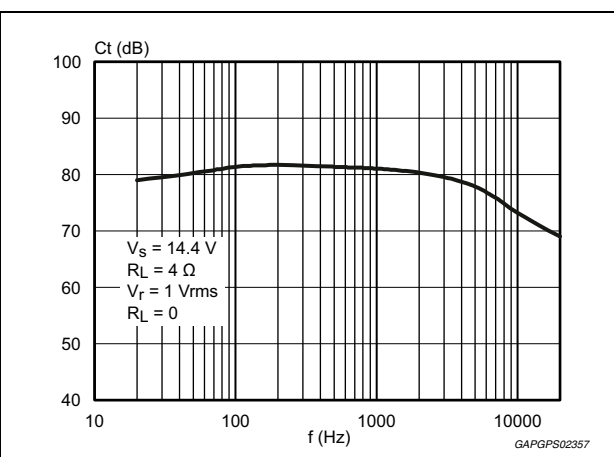


Figure 18. Crosstalk vs. frequency

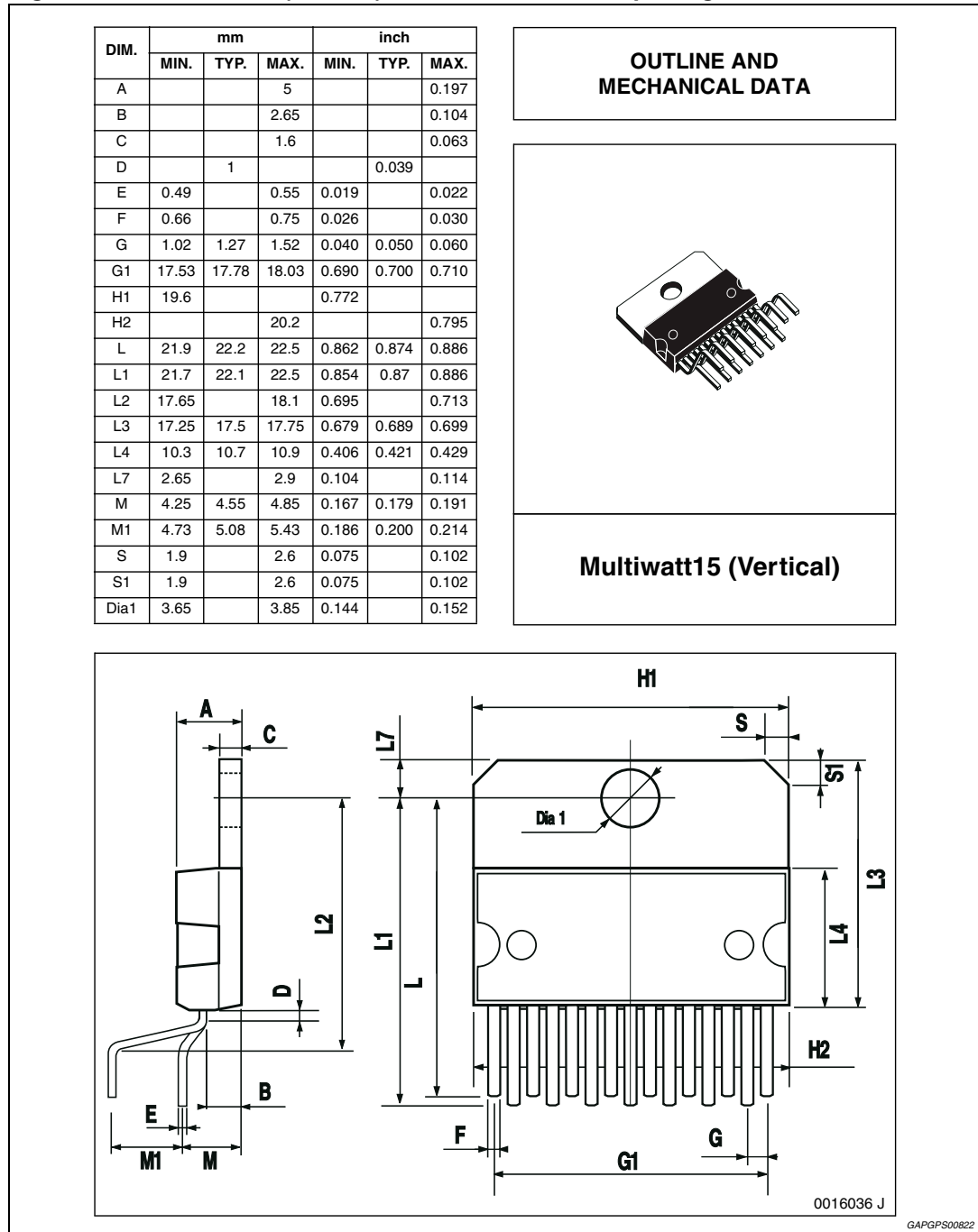


4 Package information

In order to meet environmental requirements, ST offers these devices in different grades of ECOPACK® packages, depending on their level of environmental compliance. ECOPACK® specifications, grade definitions and product status are available at: www.st.com.

ECOPACK® is an ST trademark

Figure 19. Multiwatt15 (vertical) mechanical data and package dimensions



5 Revision history

Table 5. Document revision history

Date	Revision	Changes
19-Aug-2000	4	Initial release.
20-Jun-2013	5	Updated Table 2: Absolute maximum ratings on page 9 .
18-Sep-2013	6	Updated Disclaimer.

Please Read Carefully:

Information in this document is provided solely in connection with ST products. STMicroelectronics NV and its subsidiaries ("ST") reserve the right to make changes, corrections, modifications or improvements, to this document, and the products and services described herein at any time, without notice.

All ST products are sold pursuant to ST's terms and conditions of sale.

Purchasers are solely responsible for the choice, selection and use of the ST products and services described herein, and ST assumes no liability whatsoever relating to the choice, selection or use of the ST products and services described herein.

No license, express or implied, by estoppel or otherwise, to any intellectual property rights is granted under this document. If any part of this document refers to any third party products or services it shall not be deemed a license grant by ST for the use of such third party products or services, or any intellectual property contained therein or considered as a warranty covering the use in any manner whatsoever of such third party products or services or any intellectual property contained therein.

UNLESS OTHERWISE SET FORTH IN ST'S TERMS AND CONDITIONS OF SALE ST DISCLAIMS ANY EXPRESS OR IMPLIED WARRANTY WITH RESPECT TO THE USE AND/OR SALE OF ST PRODUCTS INCLUDING WITHOUT LIMITATION IMPLIED WARRANTIES OF MERCHANTABILITY, FITNESS FOR A PARTICULAR PURPOSE (AND THEIR EQUIVALENTS UNDER THE LAWS OF ANY JURISDICTION), OR INFRINGEMENT OF ANY PATENT, COPYRIGHT OR OTHER INTELLECTUAL PROPERTY RIGHT.

ST PRODUCTS ARE NOT DESIGNED OR AUTHORIZED FOR USE IN: (A) SAFETY CRITICAL APPLICATIONS SUCH AS LIFE SUPPORTING, ACTIVE IMPLANTED DEVICES OR SYSTEMS WITH PRODUCT FUNCTIONAL SAFETY REQUIREMENTS; (B) AERONAUTIC APPLICATIONS; (C) AUTOMOTIVE APPLICATIONS OR ENVIRONMENTS, AND/OR (D) AEROSPACE APPLICATIONS OR ENVIRONMENTS. WHERE ST PRODUCTS ARE NOT DESIGNED FOR SUCH USE, THE PURCHASER SHALL USE PRODUCTS AT PURCHASER'S SOLE RISK, EVEN IF ST HAS BEEN INFORMED IN WRITING OF SUCH USAGE, UNLESS A PRODUCT IS EXPRESSLY DESIGNATED BY ST AS BEING INTENDED FOR "AUTOMOTIVE, AUTOMOTIVE SAFETY OR MEDICAL" INDUSTRY DOMAINS ACCORDING TO ST PRODUCT DESIGN SPECIFICATIONS. PRODUCTS FORMALLY ESCC, QML OR JAN QUALIFIED ARE DEEMED SUITABLE FOR USE IN AEROSPACE BY THE CORRESPONDING GOVERNMENTAL AGENCY.

Resale of ST products with provisions different from the statements and/or technical features set forth in this document shall immediately void any warranty granted by ST for the ST product or service described herein and shall not create or extend in any manner whatsoever, any liability of ST.

ST and the ST logo are trademarks or registered trademarks of ST in various countries.

Information in this document supersedes and replaces all information previously supplied.

The ST logo is a registered trademark of STMicroelectronics. All other names are the property of their respective owners.

© 2013 STMicroelectronics - All rights reserved

STMicroelectronics group of companies

Australia - Belgium - Brazil - Canada - China - Czech Republic - Finland - France - Germany - Hong Kong - India - Israel - Italy - Japan - Malaysia - Malta - Morocco - Philippines - Singapore - Spain - Sweden - Switzerland - United Kingdom - United States of America

www.st.com



X-ON Electronics

Largest Supplier of Electrical and Electronic Components

Click to view similar products for [Audio Amplifiers](#) category:

Click to view products by [STMicroelectronics](#) manufacturer:

Other Similar products are found below :

[LV47002P-E](#) [NCP2811AFCT1G](#) [NCP2890AFCT2G](#) [SSM2377ACBZ-R7](#) [IS31AP4915A-QFLS2-TR](#) [NCP2820FCT2G](#) [TDA1591T](#)
[TDA7563AH](#) [SSM2529ACBZ-R7](#) [SSM2518CBZ-R7](#) [MAX9890AETA+T](#) [TS2012EIJT](#) [NCP2809BMUTXG](#) [NJW1157BFC2](#)
[SSM2375CBZ-REEL7](#) [IS31AP4996-GRLS2-TR](#) [STPA002OD-4WX](#) [NCP2823BFCT1G](#) [MAX9717DETA+T](#) [MAX9717CETA+T](#)
[MAX9724AEBC+TG45](#) [LA4450L-E](#) [IS31AP2036A-CLS2-TR](#) [MAX9723DEBE+T](#) [TDA7563ASMTR](#) [AS3561-DWLT](#) [SSM2517CBZ-R7](#)
[MP1720DH-12-LF-P](#) [SABRE9601K](#) [THAT1646W16-U](#) [MAX98396EWB+](#) [PAM8965ZLA40-13](#) [BD37532FV-E2](#) [BD5638NUX-TR](#)
[BD37512FS-E2](#) [BD37543FS-E2](#) [BD3814FV-E2](#) [TPA3140D2PWPR](#) [TS2007EIJT](#) [IS31AP2005-DLS2-TR](#) [SSM2518CPZ-R7](#) [AS3410-EQFP-](#)
[500](#) [FDA4100LV](#) [MAX98306ETD+T](#) [TS4994EIJT](#) [NCP2820FCT1G](#) [NCP2823AFCT2G](#) [NCS2211MNTXG](#) [CPA2233CQ16-A1](#)
[OPA1604AIPWR](#)