

Dual wideband high output current operational amplifier

Features

- Wideband of 200 MHz/gain = 4
- Very high slew rate
- High output current
- Specified on 25 and 100-Ω loads
- Thermal shut-down set at $T_j = 150^\circ \text{C}$
- Large protection on outputs
- Power-down mode with high Z-out
- Very low noise
- Tested at 5 and 12-V supplies
- Single or dual supply operation
- Minimum and maximum limits are tested in full production

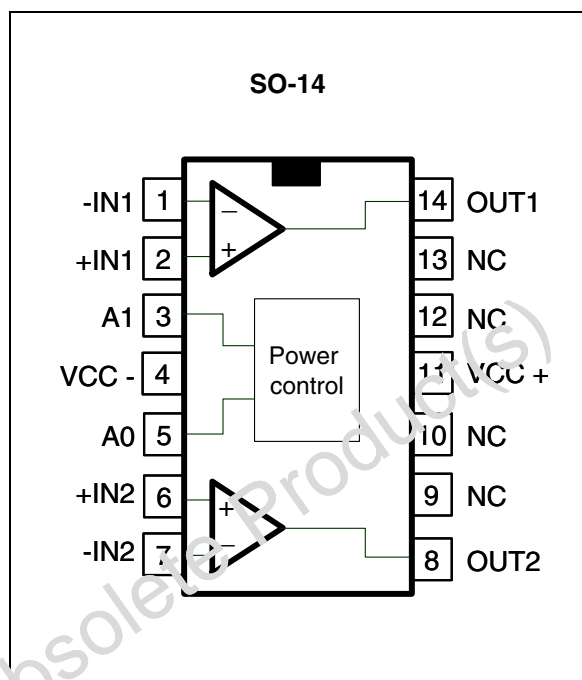
Applications

- Power line equipment
- Drivers for xDSL modems
- Video drivers
- Video distribution

Description

The TS617 is a wideband high output current dual operational amplifier optimized for driving high data rates on power lines and twisted pair telephone lines.

The TS617 features a linearity on low resistive loads, large output swing and high output current, very low noise, low consumption and I-supply control and power-down mode with high Z-out and short settling times.



1 Absolute maximum ratings and operating conditions

Table 1. Absolute maximum ratings

Symbol	Parameter	Value	Unit
V_{CC}	Supply voltage ⁽¹⁾	14	V_{DC}
V_{id}	Differential input voltage ⁽²⁾	± 2	V
T_{oper}	Operating free air temperature range	-40 to +85	°C
T_{stg}	Storage temperature	-65 to +150	°C
T_j	Maximum junction temperature	150	°C
Θ_{JA}	SO14 thermal resistance junction to ambient	103	°C/W
Θ_{JC}	SO14 thermal resistance junction to case	31	°C/W
P_{max}	SO14 maximum power dissipation ⁽³⁾ (at $T_a = 25^\circ C$) for $T_j = 150^\circ C$	1.2	W
ESD	HBM: human body model ⁽⁴⁾	2	kV
	MM: machine model ⁽⁵⁾	200	V
	CDM: charged device model	1	kV

1. All voltage values are measured with respect to the ground pin.
2. Differential voltage is between the non-inverting input terminal and the inverting input terminal.
3. Short-circuits can cause excessive heating. Destructive dissipation can result from short circuits on amplifiers. An internal thermal shut-down set the circuit in power down mode automatically when the silicon temperature reaches 150°C.
4. Human body model: 100 pF discharged through a 1.5 kΩ resistor into P_{min} of device.
5. This is a minimum value. Machine model ESD: a 200 pF capacitor is charged to the specified voltage, then discharged directly into the IC with no external series resistor.

Table 2. Operating conditions

Symbol	Parameter	Value	Unit
V_{CC}	Power supply voltage ⁽¹⁾	4.5 to 13	V
V_{icm}	Common mode input voltage	± 6	V

1. Tested in full production at $\pm 2.5 V$ and $\pm 6 V$ supply voltages.

2 Electrical characteristics

Table 3. $V_{CC} = \pm 2.5\text{ V}$, $T_{amb} = 25^\circ\text{ C}$, full power mode (unless otherwise specified)

Symbol	Parameter	Test conditions	Min.	Typ.	Max.	Unit
DC performance						
V_{io}	Input offset voltage	T_{amb}	-10	2.5	10	mV
		$T_{min.} < T_{amb} < T_{max.}$		2.7		
ΔV_{io}	V_{io} drift vs. temperature	$T_{min.} < T_{amb} < T_{max.}$		5		$\mu\text{V}/^\circ\text{C}$
I_{ib+}	Non-inverting input bias current	T_{amb}	-50	-15	+50	μA
		$T_{min.} < T_{amb} < T_{max.}$		-20		
I_{ib-}	Inverting input bias current	T_{amb}	-30	-11	-30	μA
		$T_{min.} < T_{amb} < T_{max.}$		-12		
CMR	Common mode rejection ratio $20 \log (\Delta V_{ic}/\Delta V_{io})$	$\Delta V_{ic} = \pm 1\text{ V}$	45	51		dB
		$T_{min.} < T_{amb} < T_{max.}$		50		
SVR	Supply voltage rejection ratio $20 \log (\Delta V_{CC}/\Delta V_{io})$	$\Delta V_{CC} = \pm 2\text{ V to } \pm 2.5\text{ V}$	50	76		dB
		$T_{min.} < T_{amb} < T_{max.}$		55		
PSRR	Power supply rejection ratio $20 \log (\Delta V_{CC}/\Delta V_{out})$	Gain = +4, Rfb = 390 Ω $\Delta V_{CC} = \pm 100\text{ mV at } 100\text{ kHz}$		50		dB
I_{CC}	Supply current per operator	Full power, no load		9	11	mA
		$T_{min.} < T_{amb} < T_{max.}$		10		
		Medium power, no load		7	8	mA
		$T_{min.} < T_{amb} < T_{max.}$		7.5		
		Low power, no load		2	3	mA
$T_{min.} < T_{amb} < T_{max.}$		2.3				
Dynamic performance and output characteristics						
Bw	-3 dB bandwidth in small signal	Small signal $V_{out} = 20\text{ mVp-p}$ $R_L = 100\ \Omega$ Gain = +2, Rfb = 620 Ω Gain = +4, Rfb = 390 Ω Gain = +8, Rfb = 390 Ω	70	125 105 55		MHz
		Gain = +4, medium power		90		
		Gain = +4, low power		33		
R_{OL}	Open-loop transimpedance	$R_L = 100\ \Omega, V_{out} = 2\text{ Vp-p}$	50	110		k Ω
		$T_{min.} < T_{amb} < T_{max.}$		90		
SR	Slew rate	$V_{out} = 3\text{ Vp-p, gain} = +4,$ $R_L = 100\ \Omega$	300	450		V/ μs
		Medium power		400		
		Low power		100		

Table 3. $V_{CC} = \pm 2.5\text{ V}$, $T_{amb} = 25^\circ\text{ C}$, full power mode (unless otherwise specified) (continued)

Symbol	Parameter	Test conditions	Min.	Typ.	Max.	Unit
V_{OH}	High level output voltage	$R_L = 100\ \Omega$ $R_L = 25\ \Omega$	1.6 1.5	1.68 1.58		V
		$T_{min.} < T_{amb} < T_{max.}$ $R_L = 100\ \Omega$ $R_L = 25\ \Omega$		1.6 1.5		
V_{OL}	Low level output voltage	$R_L = 100\ \Omega$ $R_L = 25\ \Omega$		-1.68 -1.57	-1.60 -1.50	V
		$T_{min.} < T_{amb} < T_{max.}$ $R_L = 100\ \Omega$ $R_L = 25\ \Omega$		-1.6 -1.5		
I_{out}	I_{sink}	$V_{out} = -1\text{ V}$	300	350		mA
		$T_{min.} < T_{amb} < T_{max.}$		330		
	I_{source}	$V_{out} = +1\text{ V}$		-370	-300	
		$T_{min.} < T_{amb} < T_{max.}$		-350		
$I_{short\ circuit}$ (limited by thermal shut down)	Output to GND		600			
Noise and distortion						
eN	Input noise voltage	$F = 100\text{ kHz}$		3.5		nV/ $\sqrt{\text{Hz}}$
iNp	Positive input noise current	$F = 100\text{ kHz}$		39		pA/ $\sqrt{\text{Hz}}$
iNn	Positive input noise current	$F = 100\text{ kHz}$		20		pA/ $\sqrt{\text{Hz}}$
H2/H3	2nd and 3rd harmonics	$V_{out} = 2\text{ Vp-p}$, gain = +4, $R_{fb} = 390\ \Omega$, $F = 6\text{ MHz}$ $R_L = 25\ \Omega$ H2 H3		-58 -68		dBc
Power-down function						
Ipdw	Consumption in power-down mode	$A1 = 0$, $A0 = 0$		65	200	μA
		$T_{min.} < T_{amb} < T_{max.}$		80		
ton	Time for power-down mode to operating mode	$A1 = A0 = 0$ to $A1 = A0 = 1$ $V_{out} = 1\text{ Vdc}$, gain = +4		80	200	ns
toff	Time for operating mode to power-down mode	$A1 = A0 = 1$ to $A1 = A0 = 0$ $V_{out} = 1\text{ Vdc}$, gain = +4		450	1000	ns

Table 4. $V_{CC} = \pm 6\text{ V}$, $T_{amb} = 25^\circ\text{ C}$, full power mode (unless otherwise specified)

Symbol	Parameter	Test conditions	Min.	Typ.	Max.	Unit
DC performance						
V_{io}	Input offset voltage	T_{amb}	-12	4.5	12	mV
		$T_{min.} < T_{amb} < T_{max.}$		5		
ΔV_{io}	V_{io} drift vs. temperature	$T_{min.} < T_{amb} < T_{max.}$		5		$\mu\text{V}/^\circ\text{C}$
I_{ib+}	Non-inverting input bias current	T_{amb}	-80	-25	80	μA
		$T_{min.} < T_{amb} < T_{max.}$		-30		
I_{ib-}	Inverting input bias current	T_{amb}	-35	-7	35	μA
		$T_{min.} < T_{amb} < T_{max.}$		-9		
CMR	Common mode rejection ratio $20 \log (\Delta V_{ic}/\Delta V_{io})$	$\Delta V_{ic} = \pm 3\text{ V}$	45	51		dB
		$T_{min.} < T_{amb} < T_{max.}$		50		
SVR	Supply voltage rejection ratio $20 \log (\Delta V_{CC}/\Delta V_{io})$	$\Delta V_{CC} = \pm 2.5\text{ V to } \pm 6\text{ V}$	50	72		dB
		$T_{min.} < T_{amb} < T_{max.}$		65		
PSRR	Power supply rejection ratio $20 \log (\Delta V_{CC}/\Delta V_{out})$	Gain = +4, Rfb = 390 Ω $\Delta V_{CC} = \pm 100\text{ mV at } 100\text{ kHz}$		50		dB
I_{CC}	Supply current per operator	Full power, no load		13	16	mA
		$T_{min.} < T_{amb} < T_{max.}$		14		
		Medium power, no load		9.7	12	mA
		$T_{min.} < T_{amb} < T_{max.}$		10.5		
		Low power, no load		2.6	4	mA
$T_{min.} < T_{amb} < T_{max.}$		2.9				
Dynamic performance and output characteristics						
Bw	-3 dB bandwidth in small signal	Small signal $V_{out} = 20\text{ mVp-p}$ $R_L = 100\ \Omega$ Gain = +2, Rfb = 620 Ω Gain = +4, Rfb = 390 Ω Gain = +8, Rfb = 390 Ω	140	300		MHz
		Gain = +4, medium power		160		
		Gain = +4, low power		60		
R_{OL}	Open-loop transimpedance	$R_L = 100\ \Omega$, $V_{out} = 7\text{ Vp-p}$	30	70		k Ω
		$T_{min.} < T_{amb} < T_{max.}$		50		
SR	Slew rate	Gain = +4, $R_L = 100\ \Omega$ $V_{out} = 5\text{ Vp-p}$ $V_{out} = 10\text{ Vp-p}$	400	650		V/ μs
		Medium power, $V_{out} = 5\text{ Vp-p}$		500		
		Low power, $V_{out} = 5\text{ Vp-p}$		200		
V_{OH}	High level output voltage	$R_L = 100\ \Omega$	5	5.1		V
		$T_{min.} < T_{amb} < T_{max.}$		5		

Table 4. $V_{CC} = \pm 6\text{ V}$, $T_{amb} = 25^\circ\text{ C}$, full power mode (unless otherwise specified) (continued)

Symbol	Parameter	Test conditions	Min.	Typ.	Max.	Unit
V_{OL}	Low level output voltage	$R_L = 100\ \Omega$		-5.1	-5	V
		$T_{min.} < T_{amb} < T_{max.}$		-5		
I_{out}	I_{sink}	$V_{out} = -4\text{ V}$	450	540		mA
		$T_{min.} < T_{amb} < T_{max.}$		510		
	I_{source}	$V_{out} = +4\text{ V}$		-550	-450	
		$T_{min.} < T_{amb} < T_{max.}$		-490		
$I_{short\ circuit}$ (limited by thermal shut down)	Output to GND (limited by internal thermal shut-down)		800			
Noise and distortion						
eN	Equivalent input noise voltage	$F = 100\text{ kHz}$		3.5		nV/ $\sqrt{\text{Hz}}$
iNp	Positive input noise current	$F = 100\text{ kHz}$		39		pA/ $\sqrt{\text{Hz}}$
iNn	Negative input noise current	$F = 100\text{ kHz}$		20		pA/ $\sqrt{\text{Hz}}$
H2/H3	2nd and 3rd harmonics	$V_{out} = 2\text{ Vp-p}$, gain = +4, $F = 6\text{ MHz}$ $R_L = 100\ \Omega$, H2 H3		-66 -73		dBc
Power-down function						
I_{pdw}	Consumption in power-down mode	$A1 = 0, A0 = 0$		90	300	μA
		$T_{min.} < T_{amb} < T_{max.}$		110		
ton	Time for power-down mode to operating mode	$A1 = A0 = 0$ to $A1 = A0 = 1$ $V_{out} = 4\text{ Vdc}$, gain = +4		60	200	ns
toff	Time for operating mode to power-down mode	$A1 = A0 = 1$ to $A1 = A0 = 0$ $V_{out} = 4\text{ Vdc}$, gain = +4		550	1000	ns

Table 5. A1 and A0 thresholds

Symbol	Parameter	Test condition	Min.	Max.
A1	A1 and A0 threshold	High level	$-V_{CC} + 2\text{ V}$	$+V_{CC}$
A0		Low level	$-V_{CC}$	$-V_{CC} + 0.8\text{ V}$

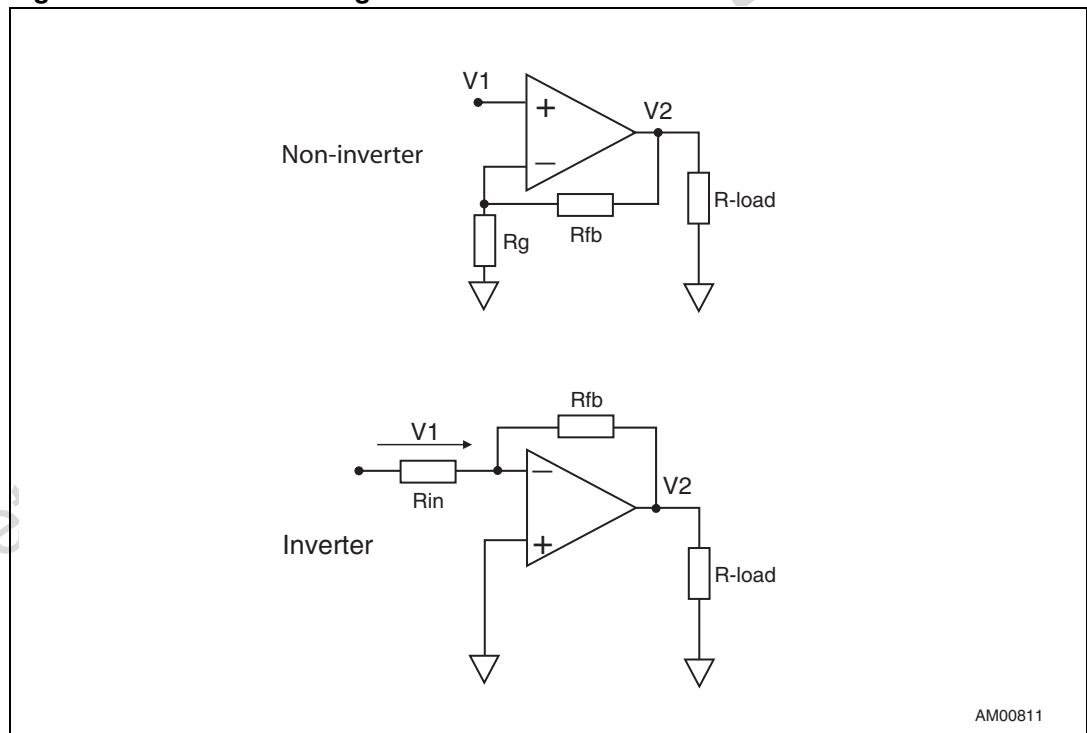
Table 6. A1 and A0 states

A1	A0	State of the TS617
0	0	Standby
0	1	Low power
1	0	Medium power
1	1	High power

Table 7. Feedback resistor

Gain ($V2/V1$)	Rfb (Ω)
2	620
4	390
8	390

Figure 1. Feedback configuration



AM00811

Figure 2. Gain vs. frequency ($V_{CC} = 5\text{ V}$)

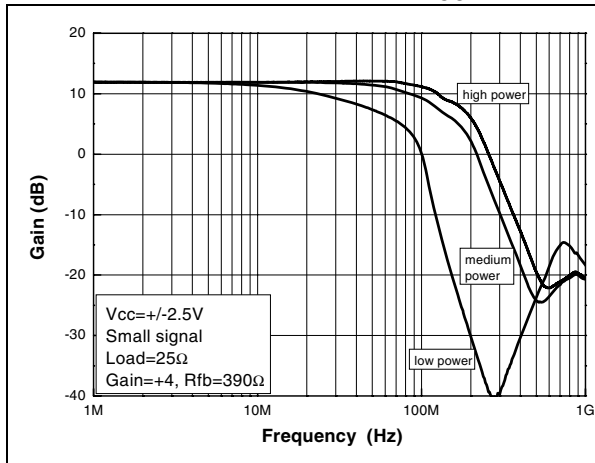


Figure 3. Gain vs. frequency ($V_{CC} = 12\text{ V}$)

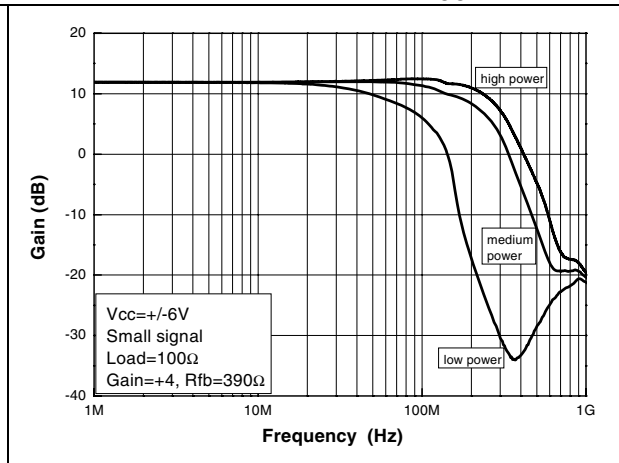


Figure 4. Input noise

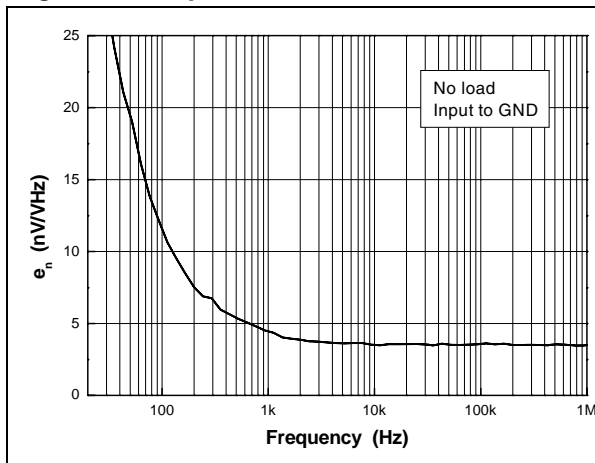


Figure 5. Distortion ($V_{CC} = 5\text{ V}$)

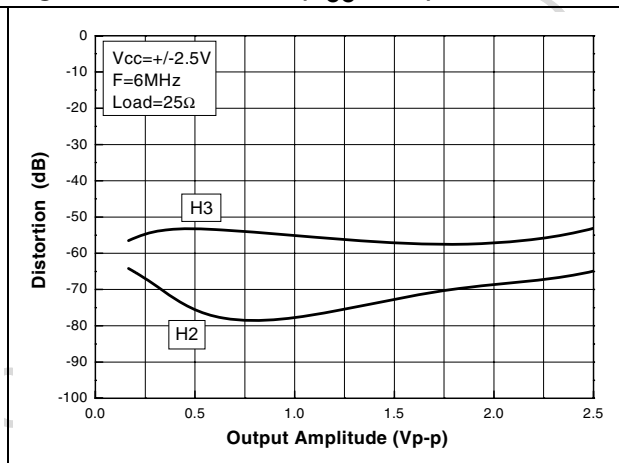


Figure 6. Distortion ($V_{CC} = 12\text{ V}$)

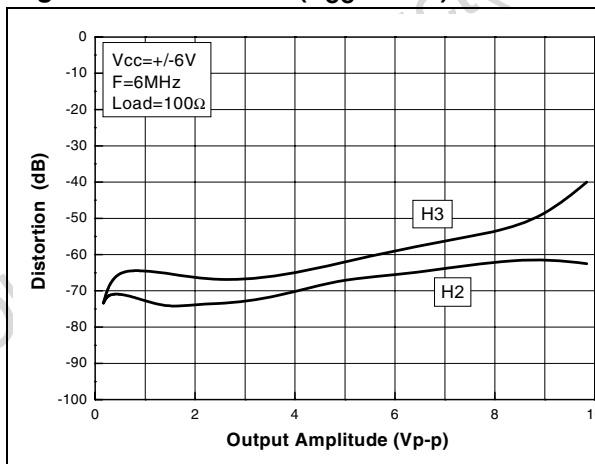


Figure 7. I_{CC} vs. V_{CC}

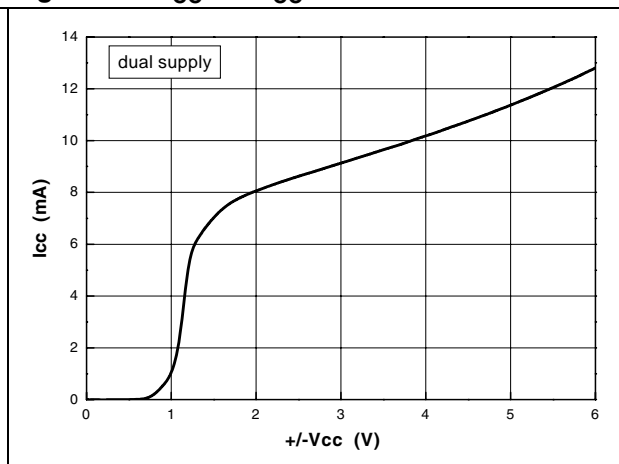


Figure 8. PSRR

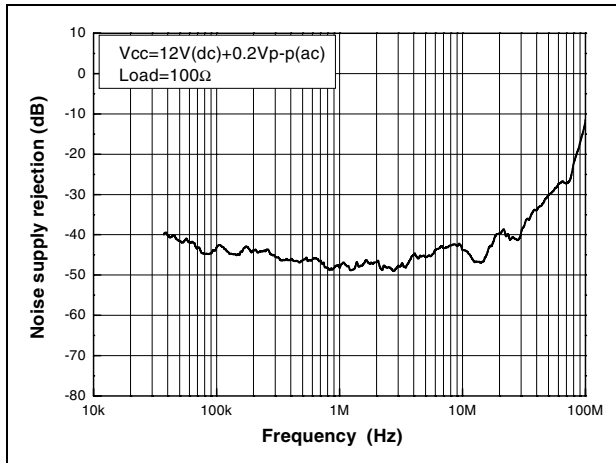


Figure 9. Bandwidth vs. temperature

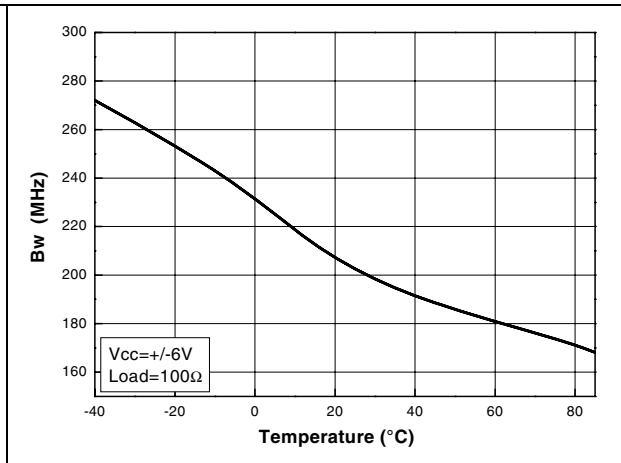


Figure 10. Transimpedance vs. temperature

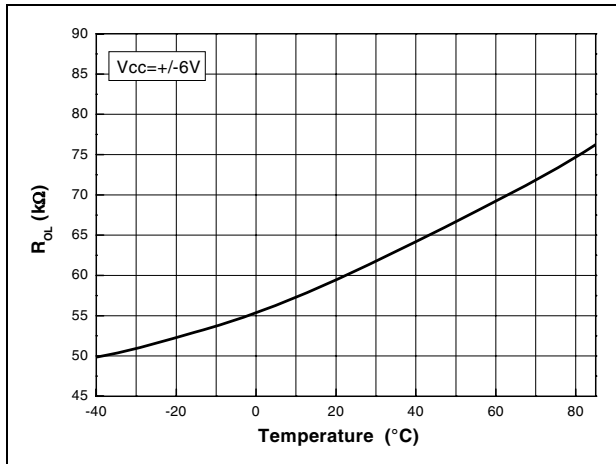


Figure 11. I_{CC} vs. temperature

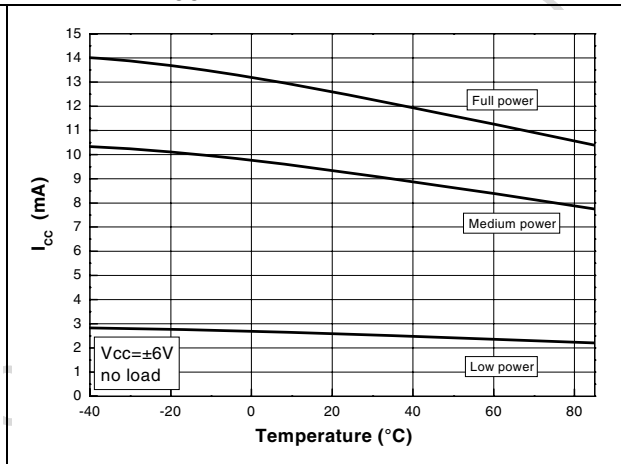


Figure 12. Slew rate vs. temperature

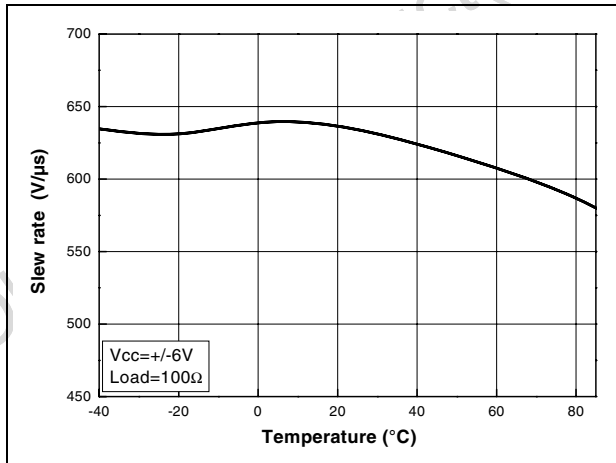


Figure 13. V_{io} vs. temperature

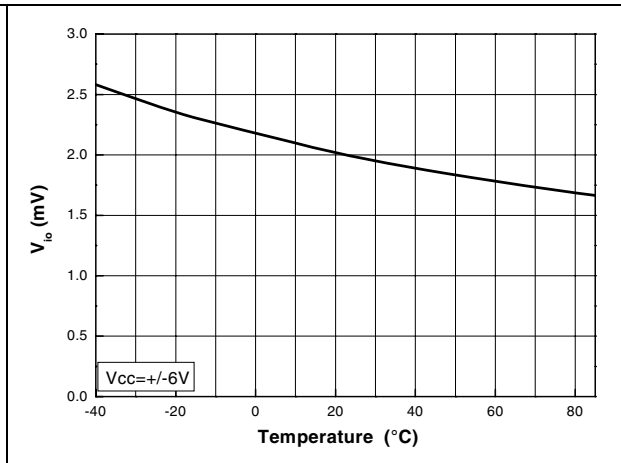


Figure 14. I_{BIAS} vs. temperature

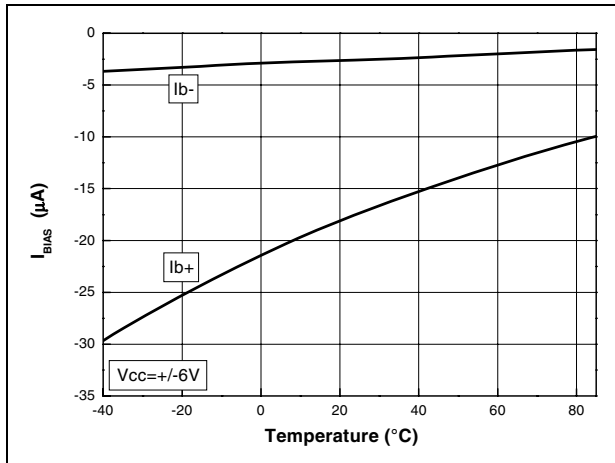


Figure 15. Power down vs. temperature

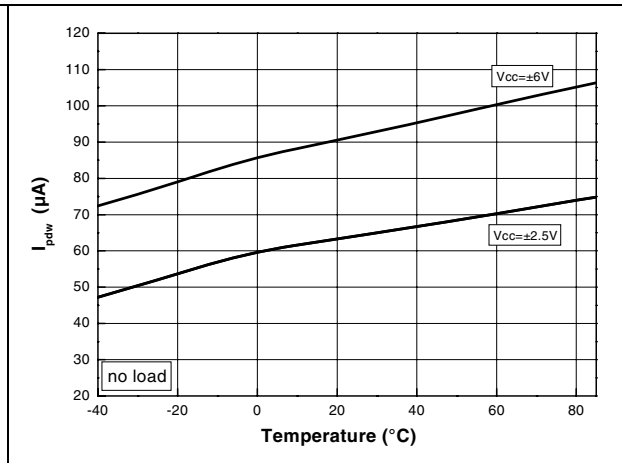


Figure 16. V_{OH} vs. temperature

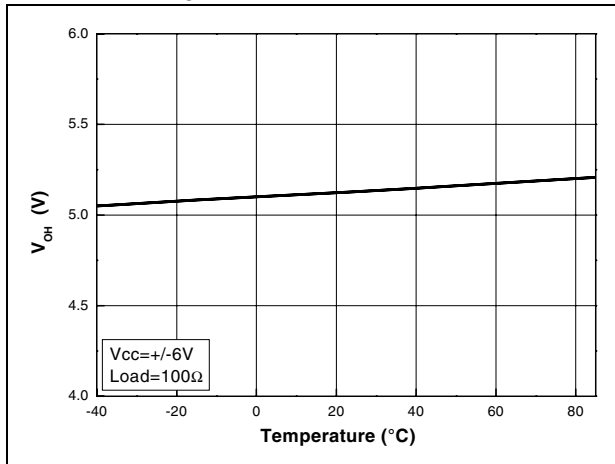


Figure 17. V_{OL} vs. temperature

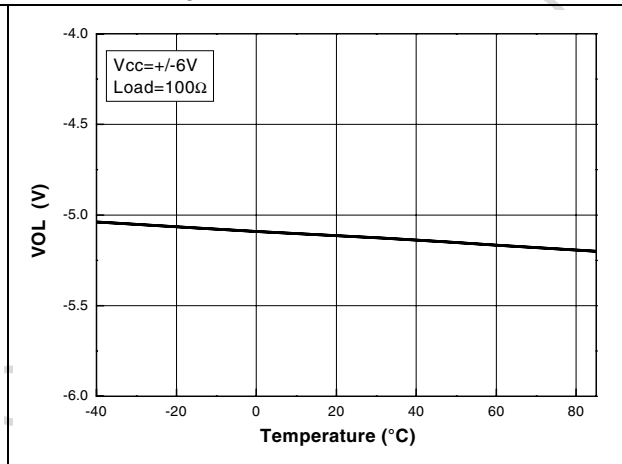


Figure 18. T_{on} vs. temperature

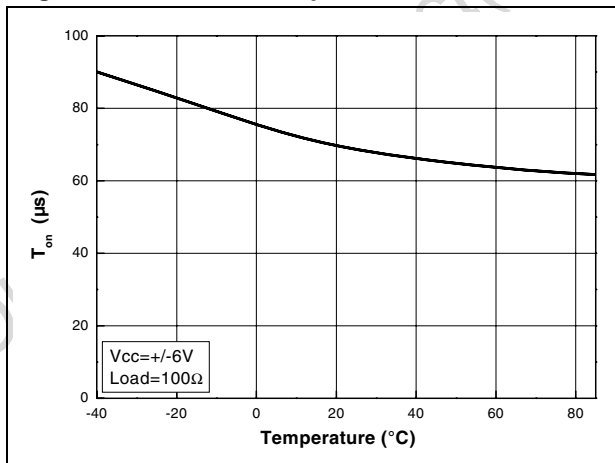


Figure 19. T_{off} vs. temperature

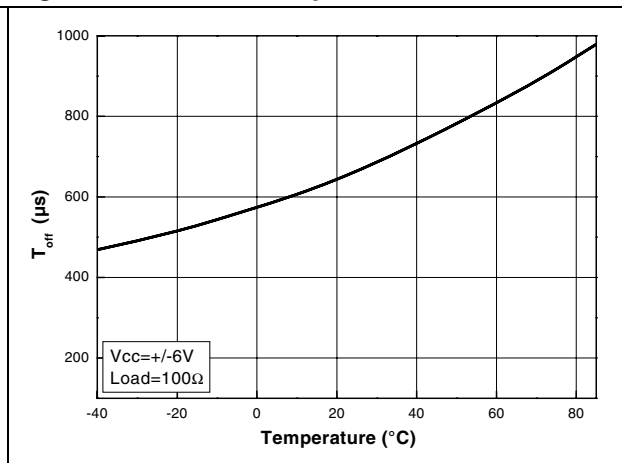


Figure 20. I_{sink} vs. temperature

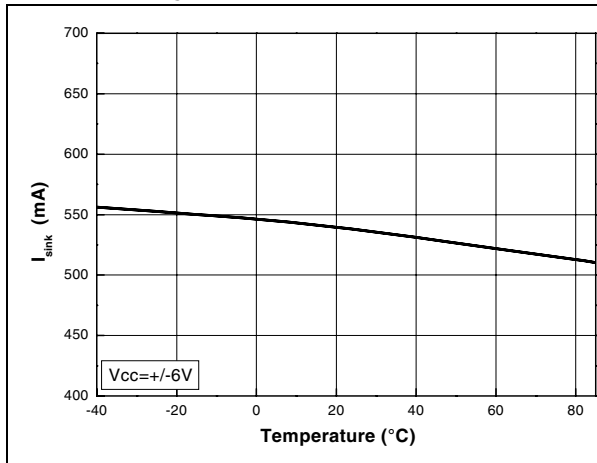


Figure 21. I_{source} vs. temperature

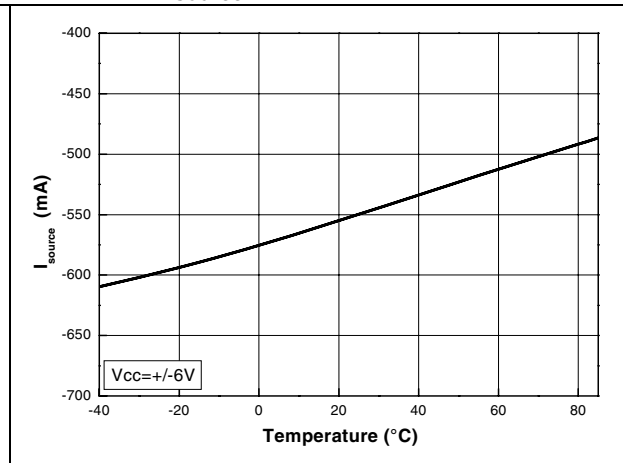


Figure 22. SVR vs. temperature

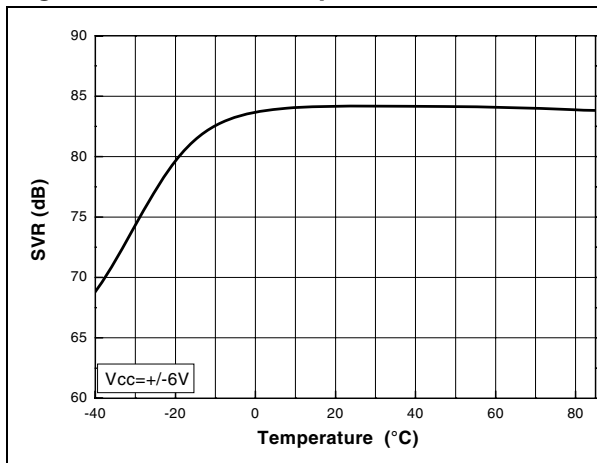
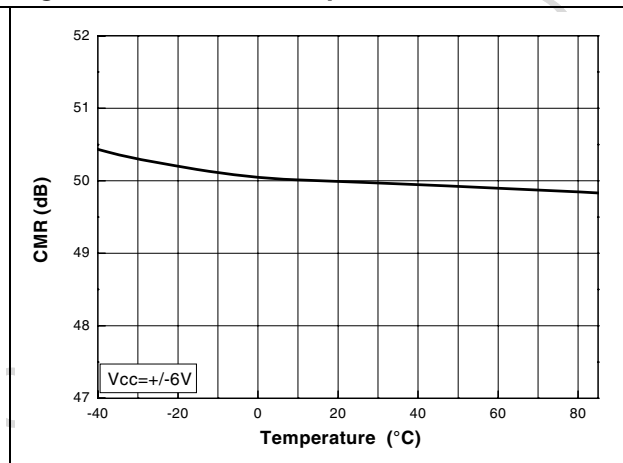


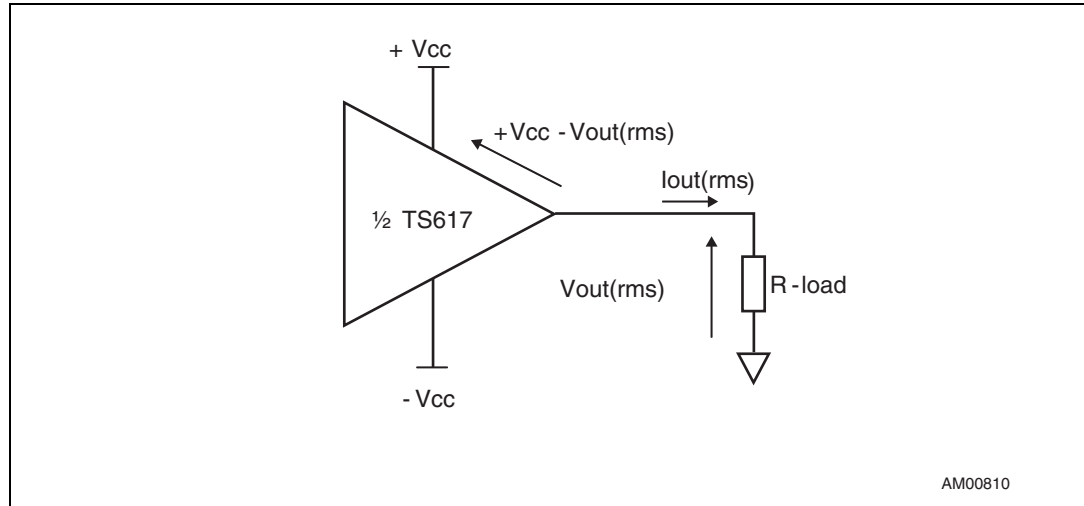
Figure 23. CMR vs. temperature



Obsolete Product(s)

3 Safe operating area

Figure 24. Equivalent schematic



$V_{out}(rms)$ is the rms output voltage value. $I_{out}(rms)$ is the rms output current value through the output load R-load. When supplied by +/-Vcc, the power which must be dissipated by one operator is $p=I_{out}(rms) \times (+V_{cc}-V_{out}(rms))$. Since the TS617 is used in a differential configuration using both operators, it must dissipate $2 \times p$. The power dissipated by the TS617 is derived from:

(eq1),

$$P = 2 \times [I_{out}(rms) \times (+V_{cc}-V_{out}(rms))] .$$

In the following formula:

(eq2),

$$P = \frac{(T_j - T_{amb})}{R_{thja}}$$

T_j is the junction temperature, T_{amb} is the ambient temperature and R_{thja} is the junction-to-ambient thermal resistance of the package (SO-14: $R_{thja} = 103^\circ \text{C/watt}$).

Assuming that T_j must be lower than 150°C to avoid any damage to the dice, it is derived from (eq2):

(eq3),

$$P_{max} = \frac{150 - T_{amb}}{103}, \text{ (inWatt)}$$

From (eq1) and (eq3) we can easily extract the maximum value of $V_{out}(rms)$ that the TS617 can drive without any damage (according to T_{amb} and R-load).

4 Typical application

Figure 25. Power line interface

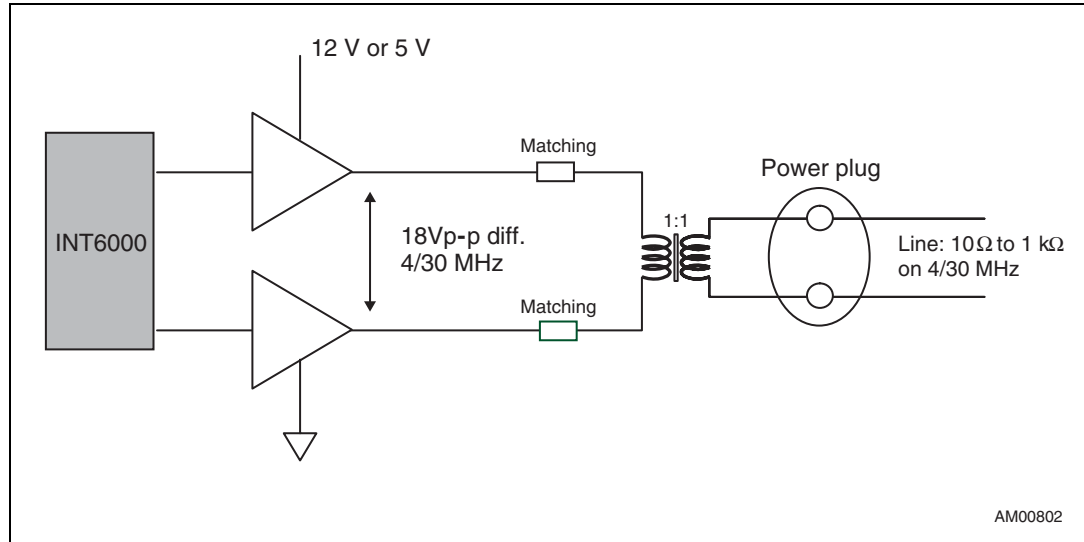
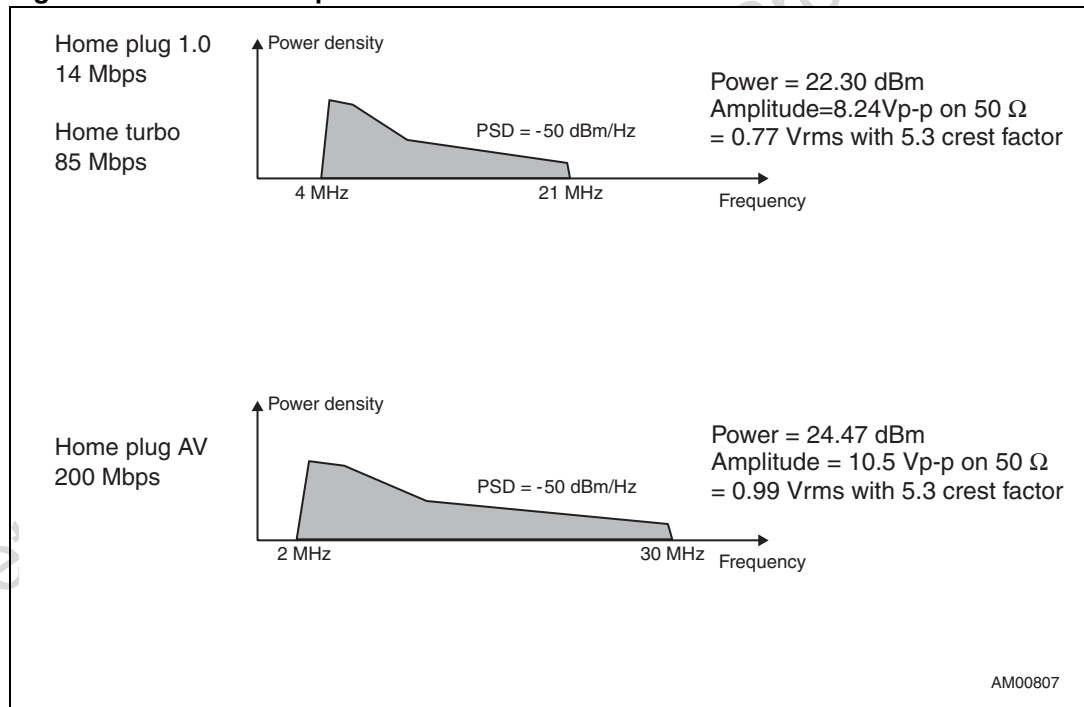


Figure 26. Power line spectrums



- Power on the line: $P(\text{dBm}) = 10 \text{ Log}(\Sigma Bw \times 10^{PSD/10})$
- PSD: power spectrum density
- ΣBw : total bandwidth summation
- Power line: PSD = -50 dBm/Hz on 50 Ω

Figure 27. vDSL interface

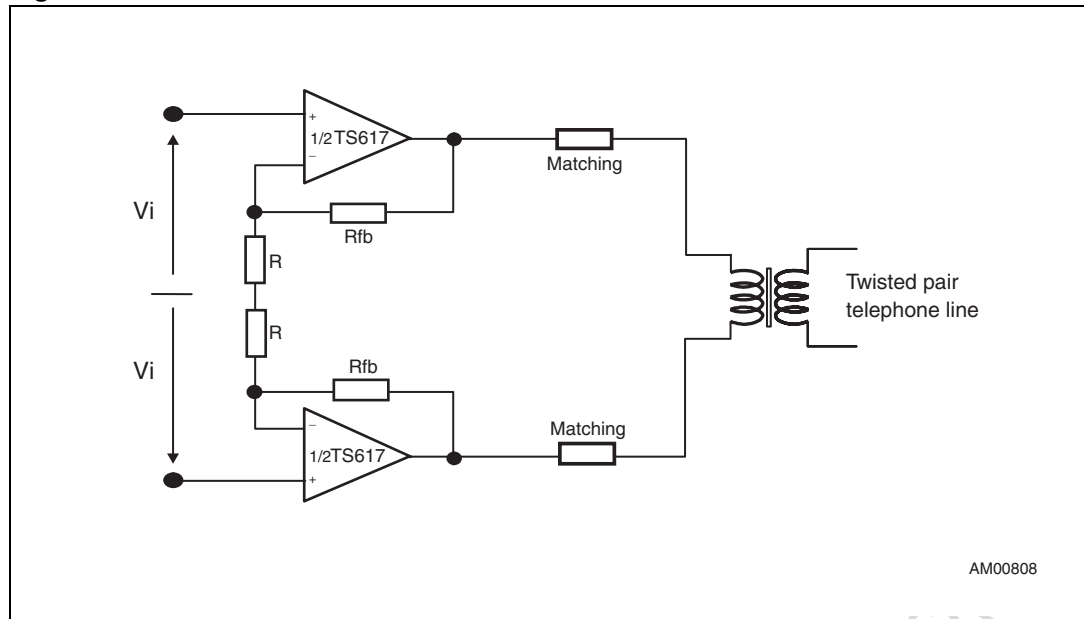


Figure 28. vDSL spectrum

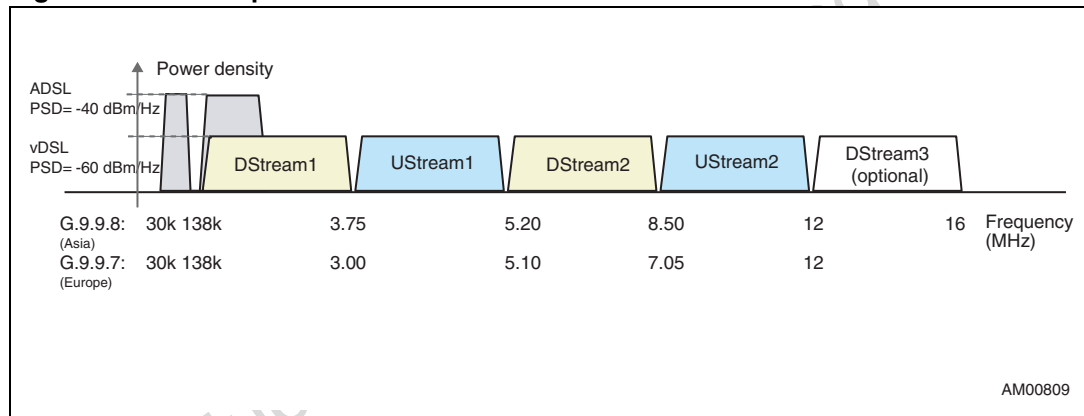


Table 8. vDSL spectrum

G. 9.9.8 Standard		G. 9.9.7 Standard	
Power (on 100-Ω line)	Vp-p (on 100-Ω line)	Power (on 100-Ω line)	Vp-p (on 100-Ω line)
CPE: 6.95 dBm	7.9 Vp-p	CPE: 8.48 dBm	9.4 Vp-p
CO: 8.4 dBm	9.3 Vp-p	CO: 6.82 dBm	7.8 Vp-p
CO DS3: 10.4 dBm	11.7 Vp-p	CO DS3: 9.45 dBm	10.5 Vp-p

5 Package information

In order to meet environmental requirements, STMicroelectronics offers these devices in ECOPACK[®] packages. These packages have a lead-free second level interconnect. The category of second level interconnect is marked on the package and on the inner box label, in compliance with JEDEC Standard JESD97. The maximum ratings related to soldering conditions are also marked on the inner box label. ECOPACK is an STMicroelectronics trademark. ECOPACK specifications are available at: www.st.com.

Obsolete Product(s) - Obsolete Product(s)

Figure 29. SO-14 package mechanical drawing

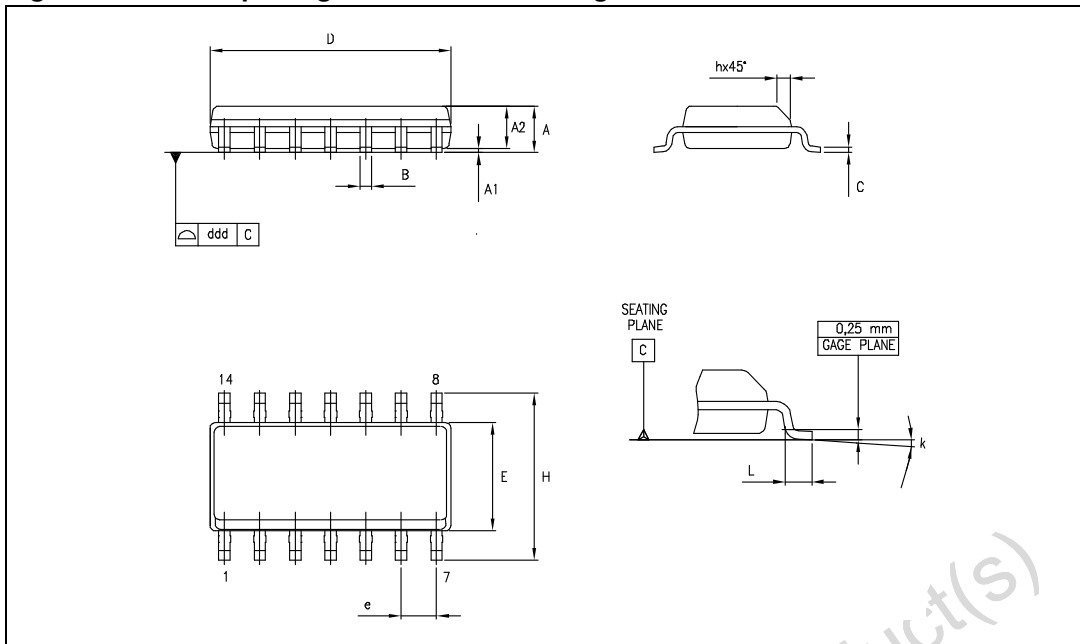


Table 9. SO-14 package mechanical data

Dimensions						
Ref.	Millimeters			Inches		
	Min.	Typ.	Max.	Min.	Typ.	Max.
A	1.35		1.75	0.05		0.068
A1	0.10		0.25	0.004		0.009
A2	1.10		1.65	0.04		0.06
B	0.33		0.51	0.01		0.02
C	0.19		0.25	0.007		0.009
D	8.55		8.75	0.33		0.34
E	3.80		4.0	0.15		0.15
e		1.27			0.05	
H	5.80		6.20	0.22		0.24
h	0.25		0.50	0.009		0.02
L	0.40		1.27	0.015		0.05
k	8° (max.)					
ddd			0.10			0.004

Note: D and F dimensions do not include mold flash or protrusions. Mold flash or protrusions must not exceed 0.15 mm.

6 Ordering information

Table 10. Order codes

Order code	Temperature range	Package	Packaging	Marking
TS617ID	-40°C to +85°C	SO-14	Tube	TS617I
TS617IDT			Tape & reel	

Obsolete Product(s) - Obsolete Product(s)

7 Revision history

Table 11. Document revision history

Date	Revision	Changes
03-Nov-2008	1	Initial release.

Obsolete Product(s) - Obsolete Product(s)

Please Read Carefully:

Information in this document is provided solely in connection with ST products. STMicroelectronics NV and its subsidiaries ("ST") reserve the right to make changes, corrections, modifications or improvements, to this document, and the products and services described herein at any time, without notice.

All ST products are sold pursuant to ST's terms and conditions of sale.

Purchasers are solely responsible for the choice, selection and use of the ST products and services described herein, and ST assumes no liability whatsoever relating to the choice, selection or use of the ST products and services described herein.

No license, express or implied, by estoppel or otherwise, to any intellectual property rights is granted under this document. If any part of this document refers to any third party products or services it shall not be deemed a license grant by ST for the use of such third party products or services, or any intellectual property contained therein or considered as a warranty covering the use in any manner whatsoever of such third party products or services or any intellectual property contained therein.

UNLESS OTHERWISE SET FORTH IN ST'S TERMS AND CONDITIONS OF SALE ST DISCLAIMS ANY EXPRESS OR IMPLIED WARRANTY WITH RESPECT TO THE USE AND/OR SALE OF ST PRODUCTS INCLUDING WITHOUT LIMITATION IMPLIED WARRANTIES OF MERCHANTABILITY, FITNESS FOR A PARTICULAR PURPOSE (AND THEIR EQUIVALENTS UNDER THE LAWS OF ANY JURISDICTION), OR INFRINGEMENT OF ANY PATENT, COPYRIGHT OR OTHER INTELLECTUAL PROPERTY RIGHT.

UNLESS EXPRESSLY APPROVED IN WRITING BY AN AUTHORIZED ST REPRESENTATIVE, ST PRODUCTS ARE NOT RECOMMENDED, AUTHORIZED OR WARRANTED FOR USE IN MILITARY, AIR CRAFT, SPACE, LIFE SAVING, OR LIFE SUSTAINING APPLICATIONS, NOR IN PRODUCTS OR SYSTEMS WHERE FAILURE OR MALFUNCTION MAY RESULT IN PERSONAL INJURY, DEATH, OR SEVERE PROPERTY OR ENVIRONMENTAL DAMAGE. ST PRODUCTS WHICH ARE NOT SPECIFIED AS "AUTOMOTIVE GRADE" MAY ONLY BE USED IN AUTOMOTIVE APPLICATIONS AT USER'S OWN RISK.

Resale of ST products with provisions different from the statements and/or technical features set forth in this document shall immediately void any warranty granted by ST for the ST product or service described herein and shall not create or extend in any manner whatsoever, any liability of ST.

ST and the ST logo are trademarks or registered trademarks of ST in various countries.

Information in this document supersedes and replaces all information previously supplied.

The ST logo is a registered trademark of STMicroelectronics. All other names are the property of their respective owners.

© 2008 STMicroelectronics - All rights reserved

STMicroelectronics group of companies

Australia - Belgium - Brazil - Canada - China - Czech Republic - Finland - France - Germany - Hong Kong - India - Israel - Italy - Japan - Malaysia - Malta - Morocco - Singapore - Spain - Sweden - Switzerland - United Kingdom - United States of America

www.st.com

X-ON Electronics

Largest Supplier of Electrical and Electronic Components

Click to view similar products for [Operational Amplifiers - Op Amps](#) category:

Click to view products by [STMicroelectronics](#) manufacturer:

Other Similar products are found below :

[OPA2991IDSGR](#) [OPA607IDCKT](#) [007614D](#) [633773R](#) [635798C](#) [635801A](#) [702115D](#) [709228FB](#) [741528D](#) [NCV33072ADR2G](#)
[SC2903VDR2G](#) [LM258AYDT](#) [LM358SNG](#) [430227FB](#) [430228DB](#) [460932C](#) [AZV831KTR-G1](#) [409256CB](#) [430232AB](#) [LM2904DR2GH](#)
[LM358YDT](#) [LT1678IS8](#) [042225DB](#) [058184EB](#) [070530X](#) [714228XB](#) [714846BB](#) [873836HB](#) [MIC918YC5-TR](#) [TS912BIYDT](#)
[NCS2004MUTAG](#) [NCV33202DMR2G](#) [M38510/13101BPA](#) [NTE925](#) [SC2904DR2G](#) [SC358DR2G](#) [LM358EDR2G](#) [AP4310AUMTR-AG1](#)
[HA1630D02MMEL-E](#) [NJM358CG-TE2](#) [HA1630S01LPEL-E](#) [LM324AWPT](#) [HA1630Q06TELL-E](#) [NJM4558CG-TE2](#) [AZV358MMTR-G1](#)
[SCY33178DR2G](#) [NCS4325DR2G](#) [LM7301SN1T1G](#) [NJU77806F3-TE1](#) [NCV833DR2G](#)