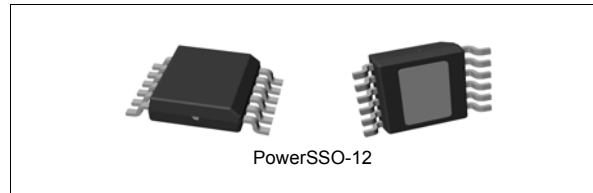


Features

| | | |
|-----------------------------------|------------|--------------------------|
| Max supply voltage | V_{CC} | 41V |
| Operating voltage range | V_{CC} | 4.5 to 36V |
| Max On-State resistance (per ch.) | R_{ON} | 50 m Ω |
| Current limitation (typ) | I_{LIMH} | 19 A |
| Off state supply current | I_S | 2 μ A ⁽¹⁾ |

(1) Typical value with all loads connected.

- Main
 - Inrush current active management by power limitation
 - Very low stand-by current
 - 3.0V CMOS compatible input
 - Optimized electromagnetic emission
 - Very low electromagnetic susceptibility
 - In compliance with the 2002/95/EC European directive
- Diagnostic functions
 - Open drain status output
 - On state open load detection
 - Off state open load detection
 - Thermal shutdown indication
- Protections
 - Undervoltage shut-down
 - Overvoltage clamp
 - Output stuck to V_{CC} detection
 - Load current limitation
 - Self limiting of fast thermal transients
 - Protection against loss of ground and loss of V_{CC}
 - Thermal shut down
 - Reverse battery protection (see [Figure 27](#))
 - Electrostatic discharge protection



Application

- All types of resistive, inductive and capacitive loads

Description

The VN5050J-E is a monolithic device made using STMicroelectronics VIPower technology. It is intended for driving resistive or inductive loads with one side connected to ground. Active V_{CC} pin voltage clamp protects the device against low energy spikes (see ISO7637 transient compatibility table). The device detects open load condition both in on and off state, when STAT_DIS is left open or driven low. Output shorted to V_{CC} is detected in the off state.

When STAT_DIS is driven high, the STATUS pin is in a high impedance condition. Output current limitation protects the device in overload condition. In case of long duration overload, the device limits the dissipated power to safe level up to thermal shut-down intervention. Thermal shut-down with automatic restart allows the device to recover normal operation as soon as fault condition disappears.

Table 1. Device summary

| Package | Order codes | |
|-------------|-------------|-------------|
| | Tube | Tape & Reel |
| PowerSSO-12 | VN5050J-E | VN5050JTR-E |

Contents

- 1 Block diagram and pin description 5**

- 2 Electrical specifications 7**
 - 2.1 Absolute maximum ratings 7
 - 2.2 Thermal data 8
 - 2.3 Electrical characteristics 9
 - 2.4 Electrical characteristics curves 16

- 3 Application information 20**
 - 3.1 GND protection network against reverse battery 20
 - 3.1.1 Solution 1: resistor in the ground line (RGND only) 20
 - 3.1.2 Solution 2: diode (DGND) in the ground line 21
 - 3.2 Load dump protection 21
 - 3.3 MCU I/Os protection 21
 - 3.4 Open load detection in Off state 21
 - 3.5 Maximum demagnetization energy (VCC = 13.5V) 23

- 4 Package and PCB thermal data 24**
 - 4.1 PowerSSO-12™ thermal data 24

- 5 Package and packing information 27**
 - 5.1 ECOPACK® packages 27
 - 5.2 Package mechanical data 27
 - 5.3 Packing information 29

- 6 Revision history 30**

List of tables

| | | |
|-----------|--|----|
| Table 2. | Pin function | 5 |
| Table 3. | Suggested connections for unused and N.C. pins | 6 |
| Table 4. | Absolute maximum ratings | 7 |
| Table 5. | Thermal data | 8 |
| Table 6. | Power section | 9 |
| Table 7. | Switching ($V_{CC} = 13V$; $T_j = 25^{\circ}C$) | 9 |
| Table 8. | Status pin ($V_{SD}=0V$) | 10 |
| Table 9. | Protections | 10 |
| Table 10. | Openload detection | 11 |
| Table 11. | Logic input | 11 |
| Table 12. | Truth table | 12 |
| Table 13. | Electrical transient requirements | 14 |
| Table 14. | Thermal parameter | 26 |
| Table 15. | PowerSSO-12™ mechanical data | 28 |
| Table 16. | Document revision history | 30 |

List of figures

| | | |
|------------|--|----|
| Figure 1. | Block diagram | 5 |
| Figure 2. | Configuration diagram (top view) | 6 |
| Figure 3. | Current and voltage conventions | 7 |
| Figure 4. | Status timings | 12 |
| Figure 5. | Switching characteristics | 13 |
| Figure 6. | Output voltage drop limitation | 13 |
| Figure 7. | Waveforms | 15 |
| Figure 8. | Off state output current | 16 |
| Figure 9. | High level input current | 16 |
| Figure 10. | Input clamp voltage | 16 |
| Figure 11. | Input high level | 16 |
| Figure 12. | Input low level | 16 |
| Figure 13. | Input hysteresis voltage | 16 |
| Figure 14. | Status low output voltage | 17 |
| Figure 15. | Status leakage current | 17 |
| Figure 16. | On state resistance vs V_{CC} | 17 |
| Figure 17. | Status clamp voltage | 17 |
| Figure 18. | Openload On state detection threshold | 17 |
| Figure 19. | Openload Off state voltage detection threshold | 18 |
| Figure 20. | I_{LIM} vs T_{case} | 18 |
| Figure 21. | Turn-On voltage slope | 18 |
| Figure 22. | Undervoltage shutdown | 18 |
| Figure 23. | Turn-Off voltage slope | 18 |
| Figure 24. | STAT_DIS clamp voltage | 18 |
| Figure 25. | High level STAT_DIS voltage | 19 |
| Figure 26. | Low level STAT_DIS voltage | 19 |
| Figure 27. | Application schematic | 20 |
| Figure 28. | Open load detection in Off state | 22 |
| Figure 29. | Maximum turn Off current versus inductance | 23 |
| Figure 30. | PowerSSO-12™ PC Board | 24 |
| Figure 31. | $R_{thj-amb}$ Vs. PCB copper area in open box free air condition | 24 |
| Figure 32. | PowerSSO-12™ thermal impedance junction ambient single pulse | 25 |
| Figure 33. | Thermal fitting model of a single channel HSD in PowerSSO-12™ | 25 |
| Figure 34. | PowerSSO-12™ package dimensions | 27 |
| Figure 35. | PowerSSO-12™ tube shipment (no suffix) | 29 |
| Figure 36. | PowerSSO-12™ tape and reel shipment (suffix "TR") | 29 |

1 Block diagram and pin description

Figure 1. Block diagram

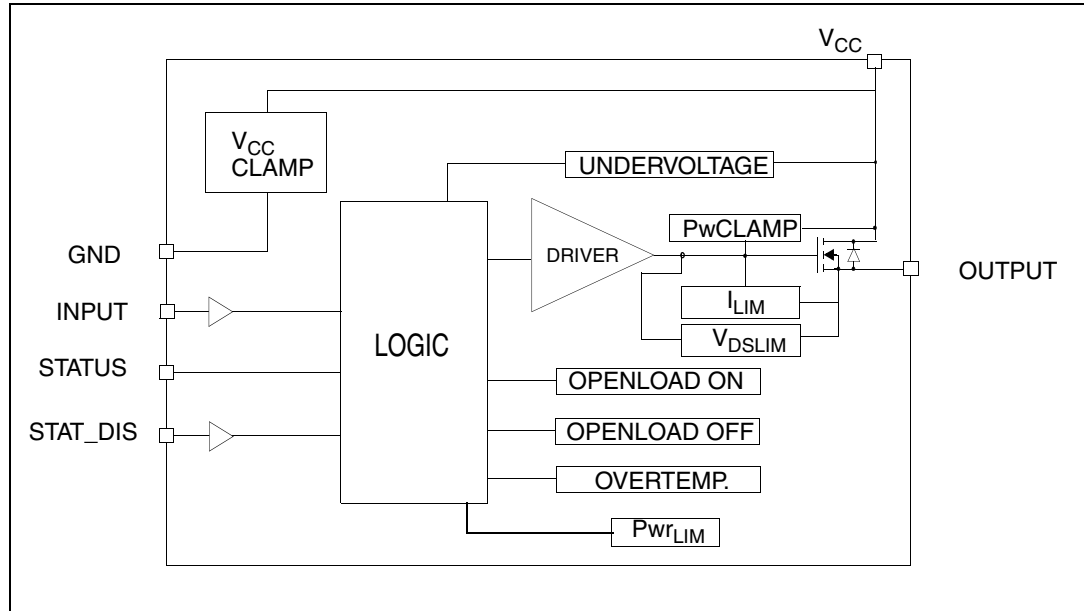
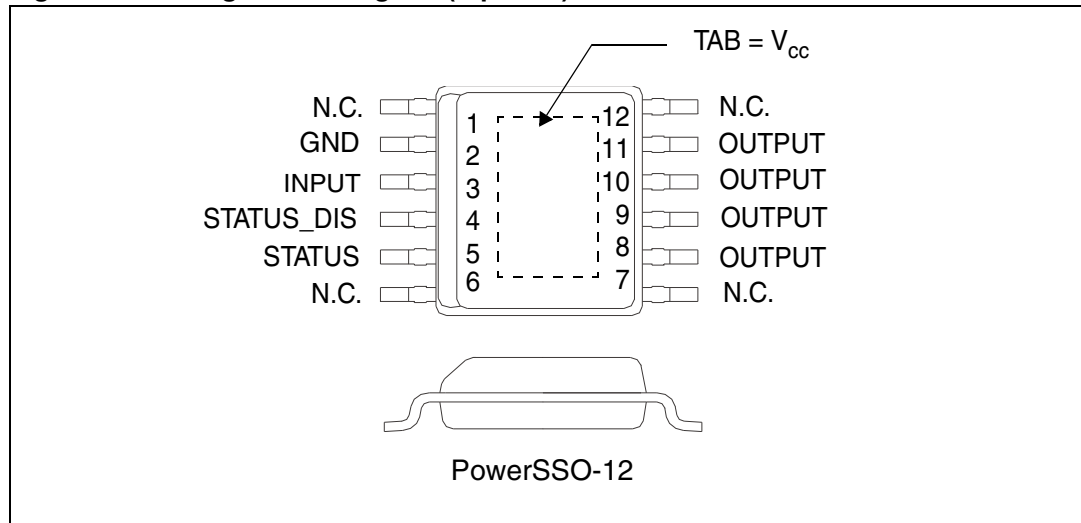


Table 2. Pin function

| Name | Function |
|-----------------|--|
| V _{CC} | Battery connection. |
| OUTPUT | Power output. |
| GND | Ground connection. Must be reverse battery protected by an external diode/resistor network. |
| INPUT | Voltage controlled input pin with hysteresis, CMOS compatible. Controls output switch state. |
| STATUS | Open drain digital diagnostic pin. |
| STAT_DIS | Active high CMOS compatible pin, to disable the STATUS pin. |

Figure 2. Configuration diagram (top view)



Note: The above pin configuration reflects the changes notified with PCN-APG-BOD/07/2886. The new pinout is backward compatible with existing PCB layouts where pins #1 and #6 are connected to Vcc and/or pins #7 and 12 are connected to OUTPUT. For new PCB designs, these pins should be left unconnected.

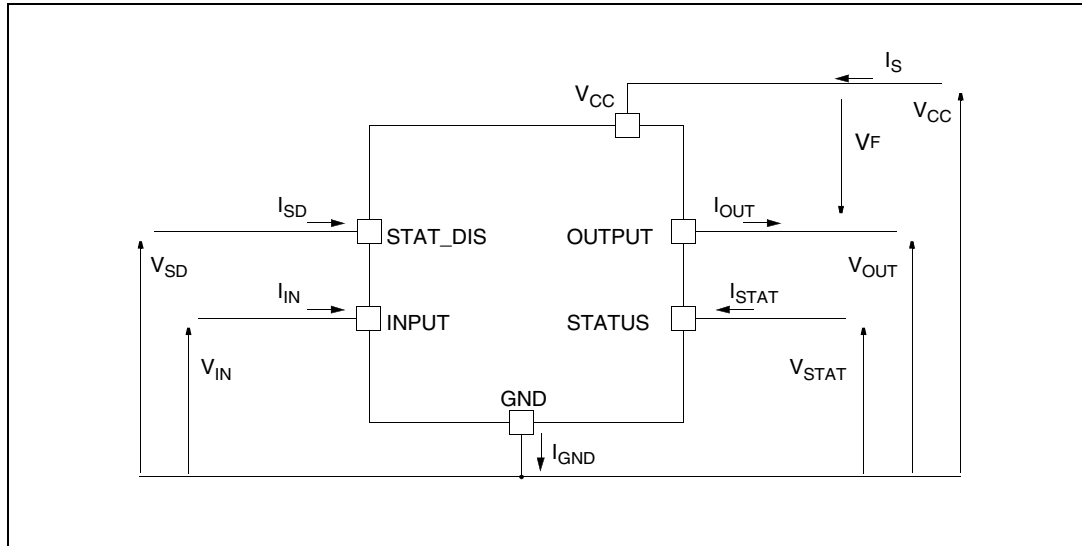
Table 3. Suggested connections for unused and N.C. pins

| Connection / Pin | STATUS | N.C. | OUTPUT | INPUT | STAT_DIS |
|------------------|---------------------|------|--------|-----------------------|-----------------------|
| Floating | X | X | X | X | X |
| To ground | N.R. ⁽¹⁾ | X | N.R. | Through 10KΩ resistor | Through 10KΩ resistor |

(1) Not recommended.

2 Electrical specifications

Figure 3. Current and voltage conventions



Note: $V_F = V_{OUT} - V_{CC}$ during reverse battery condition.

2.1 Absolute maximum ratings

Stressing the device above the rating listed in the “Absolute maximum ratings” table may cause permanent damage to the device. These are stress ratings only and operation of the device at these or any other conditions above those indicated in the Operating sections of this specification is not implied. Exposure to the conditions in table below for extended periods may affect device reliability. Refer also to the STMicroelectronics SURE Program and other relevant quality document.

Table 4. Absolute maximum ratings

| Symbol | Parameter | Value | Unit |
|-----------------|---|--------------------|------|
| V_{CC} | DC supply voltage | 41 | V |
| $-V_{CC}$ | Reverse DC supply voltage | 0.3 | V |
| $-I_{GND}$ | DC reverse ground pin current | 200 | mA |
| I_{OUT} | DC output current | Internally limited | A |
| $-I_{OUT}$ | Reverse DC output current | 12 | A |
| I_{IN} | DC input current | +10 / -1 | mA |
| I_{STAT} | DC status current | +10 / -1 | mA |
| I_{STAT_DIS} | DC status disable current | +10 / -1 | mA |
| E_{MAX} | Maximum switching energy ($L=3\text{mH}$; $R_L=0\Omega$; $V_{bat}=13.5\text{V}$; $T_{jstart}=150^\circ\text{C}$; $I_{OUT} = I_{limL}(Typ.)$) | 104 | mJ |

Table 4. Absolute maximum ratings (continued)

| Symbol | Parameter | Value | Unit |
|-----------|--|-------------|--------------------|
| V_{ESD} | Electrostatic discharge (Human Body Model: R=1.5K Ω ; C=100pF) | | |
| V_{ESD} | Charge device model (CDM-AEC-Q100-011) | 750 | V |
| T_j | Junction operating temperature | -40 to 150 | $^{\circ}\text{C}$ |
| T_{stg} | Storage temperature | - 55 to 150 | $^{\circ}\text{C}$ |

2.2 Thermal data

Table 5. Thermal data

| Symbol | Parameter | Value | Unit |
|----------------|--|-------------------------------|-----------------------------|
| $R_{thj-case}$ | Thermal resistance junction-case (Max.) (with one channel ON) | 2.7 | $^{\circ}\text{C}/\text{W}$ |
| $R_{thj-amb}$ | Thermal resistance junction-ambient (Max.) | See Figure 31 | $^{\circ}\text{C}/\text{W}$ |

2.3 Electrical characteristics

Values specified in this section are for $8V < V_{CC} < 36V$; $-40^{\circ}C < T_j < 150^{\circ}C$, unless otherwise specified.

Table 6. Power section

| Symbol | Parameter | Test conditions | Min. | Typ. | Max. | Unit |
|---------------|--|--|--------|-------------------------|-------------------------|--|
| V_{CC} | Operating supply voltage | | 4.5 | 13 | 36 | V |
| V_{USD} | Undervoltage shutdown | | | 3.5 | 4.5 | V |
| $V_{USDhyst}$ | Undervoltage shut-down hysteresis | | | 0.5 | | V |
| R_{ON} | On state resistance ⁽²⁾ | $I_{OUT}=1A$; $T_j=25^{\circ}C$ $I_{OUT}=1A$; $T_j=150^{\circ}C$ $I_{OUT}=1A$; $V_{CC}=5V$; $T_j=25^{\circ}C$ | | | 50 100 65 | m Ω m Ω m Ω |
| V_{clamp} | Clamp voltage | $I_S=20mA$ | 41 | 46 | 52 | V |
| I_S | Supply current | Off State; $V_{CC}=13V$; $T_j=25^{\circ}C$; $V_{IN}=V_{OUT}=V_{SENSE}=V_{CSD}=0V$ On State; $V_{CC}=13V$; $V_{IN}=5V$; $I_{OUT}=0A$ | | 2 ⁽¹⁾ 1.9 | 5 ⁽¹⁾ 3.5 | μA mA |
| $I_{L(off1)}$ | Off state output current ⁽²⁾ | $V_{IN}=V_{OUT}=0V$; $V_{CC}=13V$; $T_j=25^{\circ}C$ $V_{IN}=V_{OUT}=0V$; $V_{CC}=13V$; $T_j=125^{\circ}C$ | 0 0 | 0.01 | 3 5 | μA |
| $I_{L(off2)}$ | Off state output current ⁽²⁾ | $V_{IN}=0V$; $V_{OUT}=4V$ | -75 | | 0 | |
| V_F | Output - V_{CC} diode voltage ⁽²⁾ | $-I_{OUT}=2A$; $T_j=150^{\circ}C$ | | | 0.7 | V |

(1) PowerMOS leakage included.

(2) For each channel.

Table 7. Switching ($V_{CC} = 13V$; $T_j = 25^{\circ}C$)

| Symbol | Parameter | Test conditions | Min. | Typ. | Max. | Unit |
|-----------------------|---|---|------|-------------------------------|------|------------|
| $t_{d(on)}$ | Turn- On delay time | $R_L = 6.5\Omega$ (see Figure 5) | | 20 | | μs |
| $t_{d(off)}$ | Turn- Off delay time | $R_L = 6.5\Omega$ (see Figure 5) | | 35 | | μs |
| $dV_{OUT}/dt_{(on)}$ | Turn- On voltage slope | $R_L = 6.5\Omega$ | | See Figure 21 | | V/ μs |
| $dV_{OUT}/dt_{(off)}$ | Turn- Off voltage slope | $R_L = 6.5\Omega$ | | See Figure 23 | | V/ μs |
| W_{ON} | Switching energy losses during t_{won} | $R_L = 6.5\Omega$ (see Figure 5) | | 0.2 | | mJ |
| W_{OFF} | Switching energy losses during t_{woff} | $R_L = 6.5\Omega$ (see Figure 5) | | 0.2 | | mJ |

Table 8. Status pin ($V_{SD}=0V$)

| Symbol | Parameter | Test conditions | Min. | Typ. | Max. | Unit |
|-------------|------------------------------|---|------|------|------|---------|
| V_{STAT} | Status low output voltage | $I_{STAT}= 1.6 \text{ mA}$, $V_{SD}=0V$ | | | 0.5 | V |
| I_{LSTAT} | Status leakage current | Normal Operation or $V_{SD}=5V$, $V_{STAT}= 5V$ | | | 10 | μA |
| C_{STAT} | Status pin input capacitance | Normal Operation or $V_{SD}=5V$, $V_{STAT}= 5V$ | | | 100 | pF |
| V_{SCL} | Status clamp voltage | $I_{STAT}= 1mA$ $I_{STAT}= -1mA$ | 5.5 | -0.7 | 7 | V V |

Table 9. Protections (1)

| Symbol | Parameter | Test conditions | Min. | Typ. | Max. | Unit |
|-------------|--|---|--------------|--------------|--------------|-------------|
| I_{limH} | DC short circuit current | $V_{CC}= 13V$ $5V < V_{CC} < 36V$ | 13.5 | 19 | 26.5 26.5 | A A |
| I_{limL} | Short circuit current during thermal cycling | $V_{CC}= 13V$ $T_R < T_j < T_{TSD}$ | | 7 | | A |
| T_{TSD} | Shutdown temperature | | 150 | 175 | 200 | $^{\circ}C$ |
| T_R | Reset temperature | | $T_{RS} + 1$ | $T_{RS} + 5$ | | $^{\circ}C$ |
| T_{RS} | Thermal reset of STATUS | | 135 | | | $^{\circ}C$ |
| T_{HYST} | Thermal hysteresis ($T_{TSD}-T_R$) | | | 7 | | $^{\circ}C$ |
| t_{SDL} | Status delay in overload conditions | $T_j > T_{TSD}$ (see Figure 4) | | | 20 | μs |
| V_{DEMAG} | Turn-Off output voltage clamp | $I_{OUT}=2A$; $V_{IN}=0$; $L=6mH$ | $V_{CC}-41$ | $V_{CC}-46$ | $V_{CC}-52$ | V |
| V_{ON} | Output voltage drop limitation | $I_{OUT} = 0.1A$; $T_j = -40^{\circ}C \dots +150^{\circ}C$ (see Figure 6) | | 25 | | mV |

(1) To ensure long term reliability under heavy overload or short circuit conditions, protection and related diagnostic signals must be used together with a proper software strategy. If the device is subjected to abnormal conditions, this software must limit the duration and number of activation cycles.

Table 10. Openload detection

| Symbol | Parameter | Test conditions | Min. | Typ. | Max. | Unit |
|---------------|---|---|------|-------------------------------|-----------|---------|
| I_{OL} | Openload On State detection threshold | $V_{IN} = 5V, 8V < V_{CC} < 18V$ | 10 | See Figure 18 | 50 | mA |
| $t_{DOL(on)}$ | Openload On State detection delay | $I_{OUT} = 0A, V_{CC} = 13V$ (see Figure 4) | | | 200 | μs |
| t_{POL} | Delay between INPUT falling edge and STATUS rising edge in Openload condition | $I_{OUT} = 0A$ (see Figure 4) | 200 | 500 | 1000 | μs |
| V_{OL} | Openload Off State voltage detection threshold | $V_{IN} = 0V, 8V < V_{CC} < 16V$ | 2 | See Figure 19 | 4 | V |
| t_{DSTKON} | Output short circuit to V_{CC} detection delay at turn Off | See Figure 4 | 180 | | t_{POL} | μs |

Table 11. Logic input

| Symbol | Parameter | Test conditions | Min. | Typ. | Max. | Unit |
|----------------|-----------------------------|-----------------------------------|------|------|------|---------|
| V_{IL} | Input low level | | | | 0.9 | V |
| I_{IL} | Low level Input current | $V_{IN} = 0.9V$ | 1 | | | μA |
| V_{IH} | Input high level | | 2.1 | | | V |
| I_{IH} | High level Input current | $V_{IN} = 2.1V$ | | | 10 | μA |
| $V_{I(hyst)}$ | Input hysteresis voltage | | 0.25 | | | V |
| V_{ICL} | Input clamp voltage | $I_{IN} = 1mA$ $I_{IN} = -1mA$ | 5.5 | -0.7 | 7 | V V |
| V_{SDL} | STAT_DIS low level voltage | | | | 0.9 | V |
| I_{SDL} | Low level STAT_DIS current | $V_{SD} = 0.9V$ | 1 | | | μA |
| V_{SDH} | STAT_DIS high level voltage | | 2.1 | | | V |
| I_{SDH} | High level STAT_DIS current | $V_{SD} = 2.1V$ | | | 10 | μA |
| $V_{SD(hyst)}$ | STAT_DIS hysteresis voltage | | 0.25 | | | V |
| V_{SDCL} | STAT_DIS clamp voltage | $I_{SD} = 1mA$ $I_{SD} = -1mA$ | 5.5 | -0.7 | 7 | V V |

Figure 4. Status timings

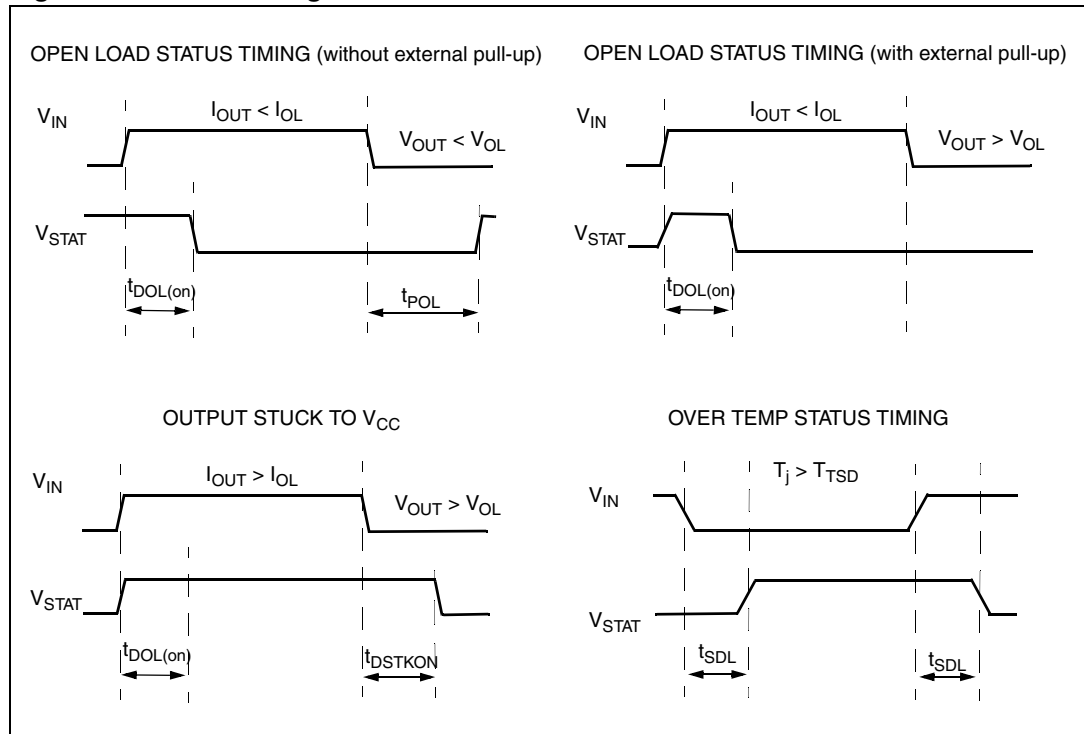


Table 12. Truth table

| Conditions | INPUT | OUTPUT | STATUS ($V_{SD}=0V$) ⁽¹⁾ |
|---------------------------|-------|--------|---------------------------------------|
| Normal operation | L | L | H |
| | H | H | H |
| Current limitation | L | L | H |
| | H | X | H |
| Overtemperature | L | L | H |
| | H | L | L |
| Undervoltage | L | L | X |
| | H | L | X |
| Output voltage $> V_{OL}$ | L | H | L _v |
| | H | H | H |
| Output current $< I_{OL}$ | L | L | H ⁽²⁾ |
| | H | H | L |

(1) If the V_{SD} is high, the STATUS pin is in a high impedance.

(2) The STATUS pin becomes high with a delay equal to t_{POL} after INPUT falling edge.

Figure 5. Switching characteristics

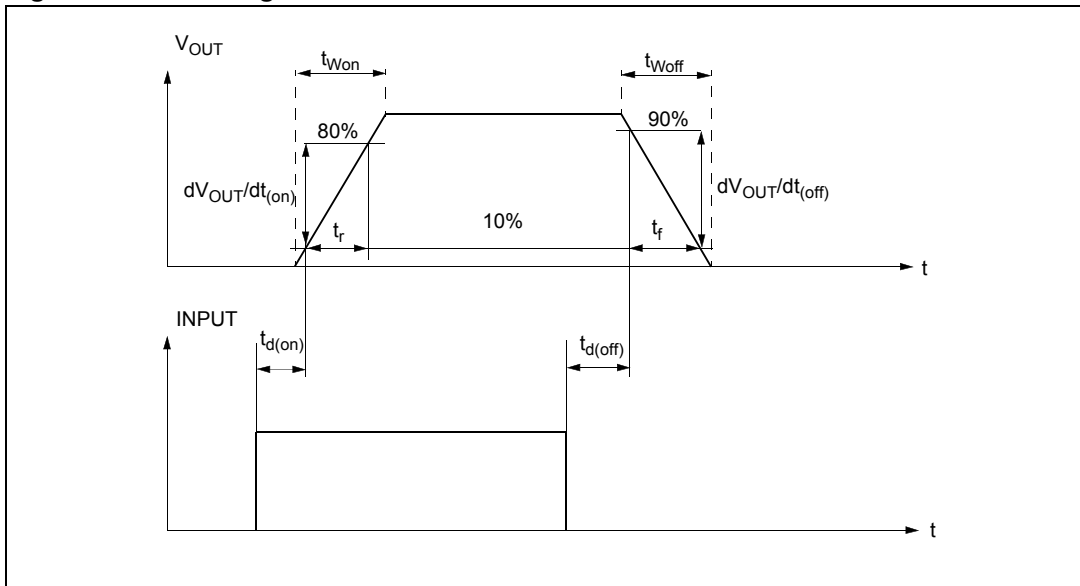


Figure 6. Output voltage drop limitation

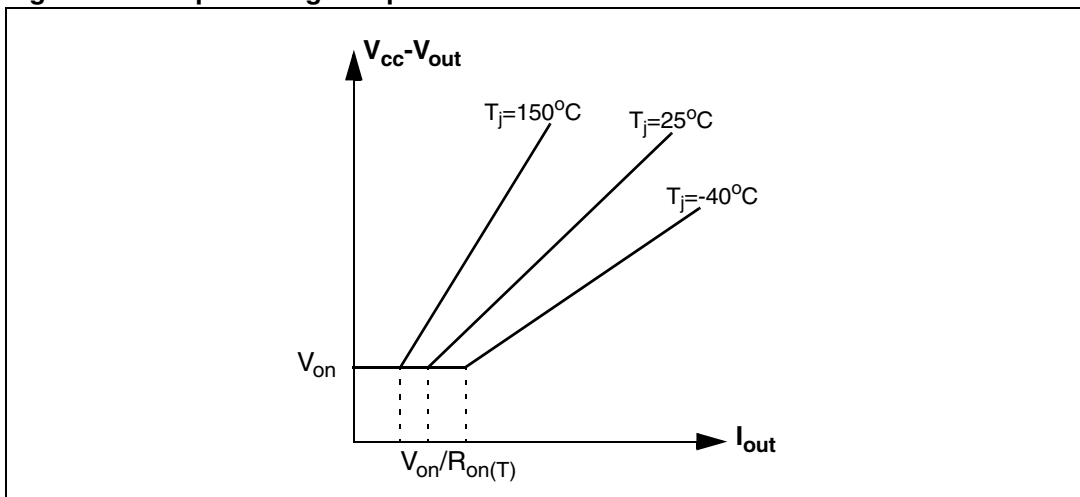


Table 13. Electrical transient requirements

| ISO 7637-2: 2004(E) Test pulse | Test levels | | Number of pulses or test times | Burst cycle/pulse repetition time | | Delays and Impedance |
|--------------------------------------|-------------|-------|--------------------------------|-----------------------------------|--------|----------------------|
| | III | IV | | | | |
| 1 | -75V | -100V | 5000 pulses | 0.5 s | 5 s | 2 ms, 10 Ω |
| 2a | +37V | +50V | 5000 pulses | 0.2 s | 5 s | 50 μs, 2 Ω |
| 3a | -100V | -150V | 1h | 90 ms | 100 ms | 0.1 μs, 50 Ω |
| 3b | +75V | +100V | 1h | 90 ms | 100 ms | 0.1 μs, 50 Ω |
| 4 | -6V | -7V | 1 pulse | | | 100 ms, 0.01Ω |
| 5b ⁽²⁾ | +65V | +87V | 1 pulse | | | 400 ms, 2 Ω |

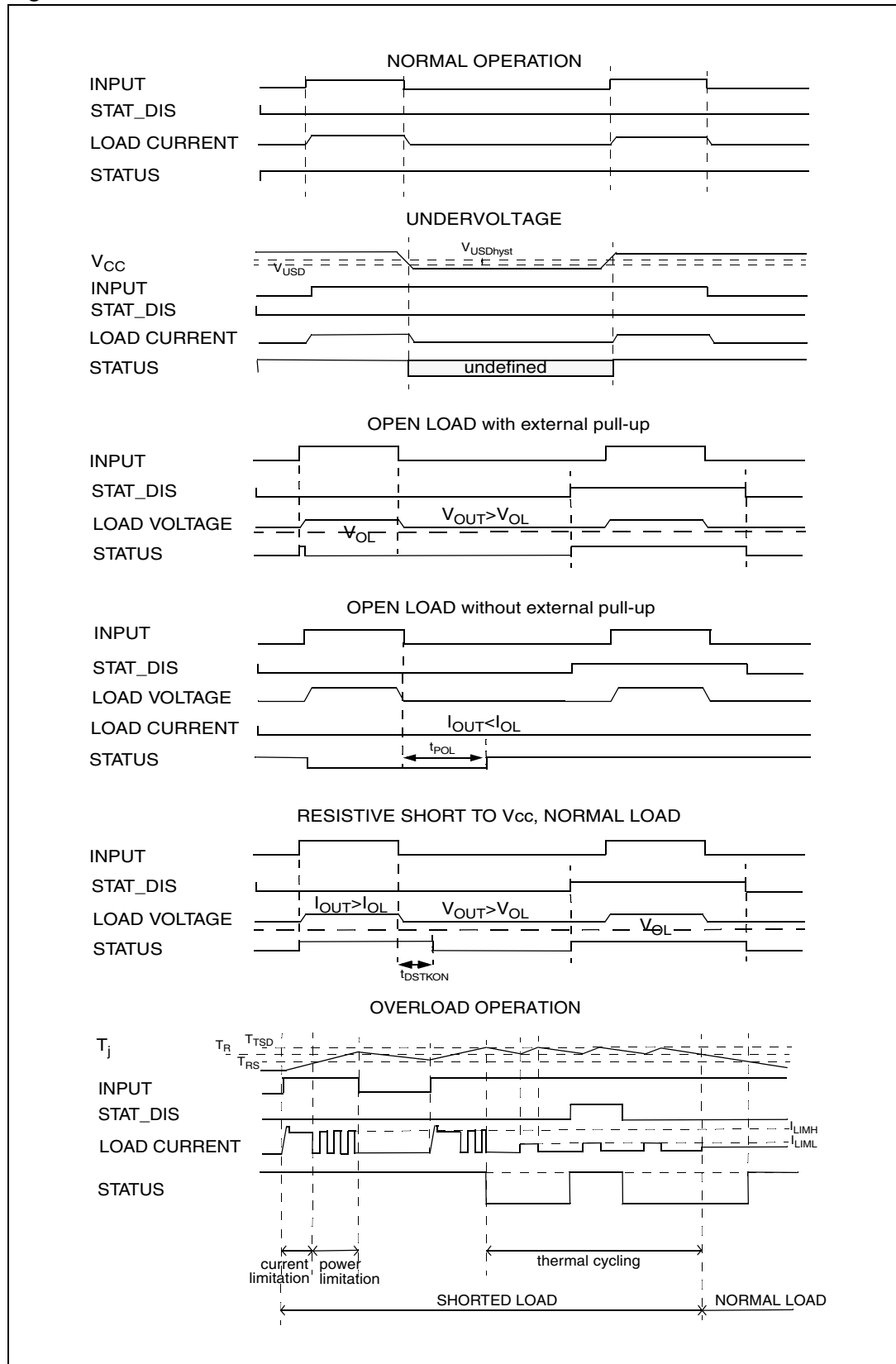
| ISO 7637-2: 2004(E) Test pulse | Test level results ⁽¹⁾ | |
|--------------------------------------|-----------------------------------|----|
| | III | IV |
| 1 | C | C |
| 2a | C | C |
| 3a | C | C |
| 3b | C | C |
| 4 | C | C |
| 5b ⁽²⁾ | C | C |

(1) The above test levels must be considered referred to V_{CC} = 13.5V except for pulse 5b.

(2) Valid in case of external load dump clamp: 40V maximum referred to ground.

| Class | Contents |
|-------|--|
| C | All functions of the device are performed as designed after exposure to disturbance. |
| E | One or more functions of the device are not performed as designed after exposure to disturbance and cannot be returned to proper operation without replacing the device. |

Figure 7. Waveforms



2.4 Electrical characteristics curves

Figure 8. Off state output current

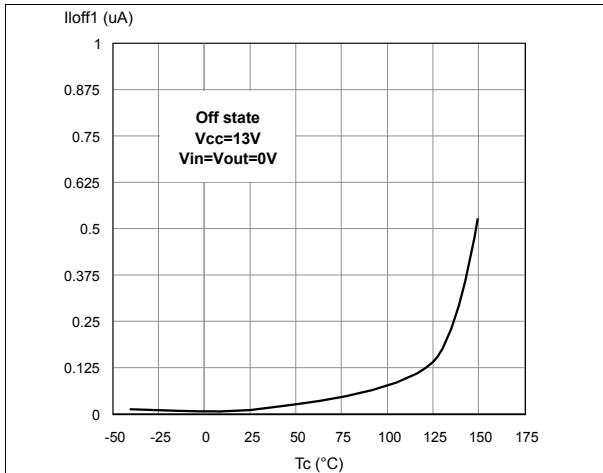


Figure 9. High level input current

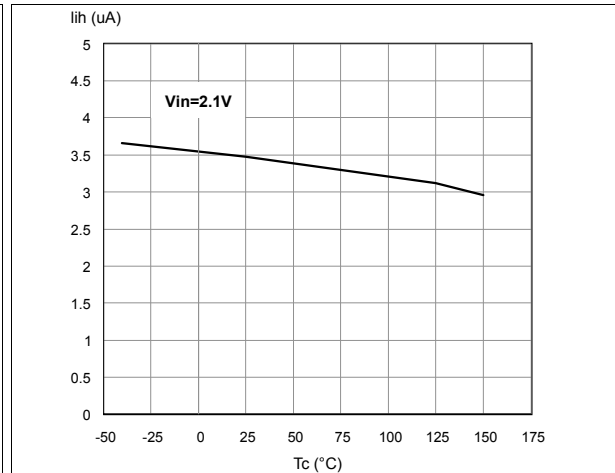


Figure 10. Input clamp voltage

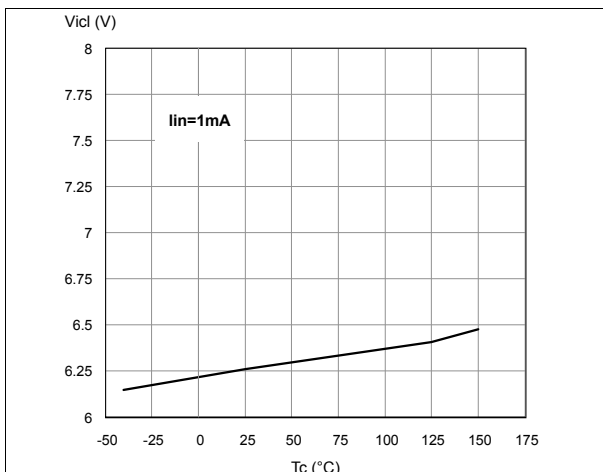


Figure 11. Input high level

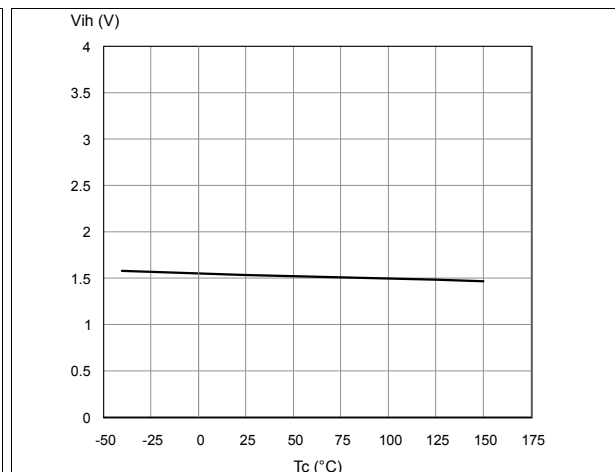


Figure 12. Input low level

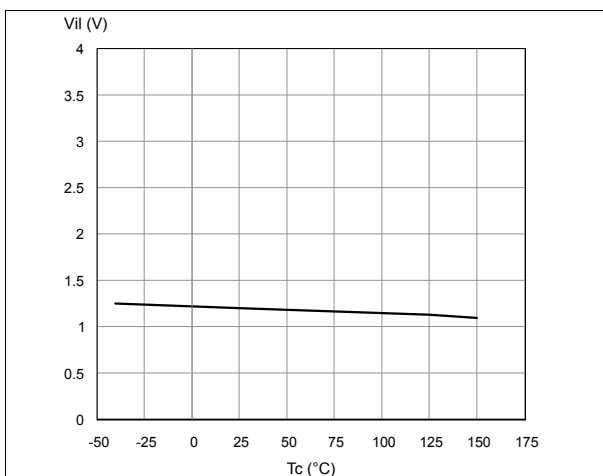


Figure 13. Input hysteresis voltage

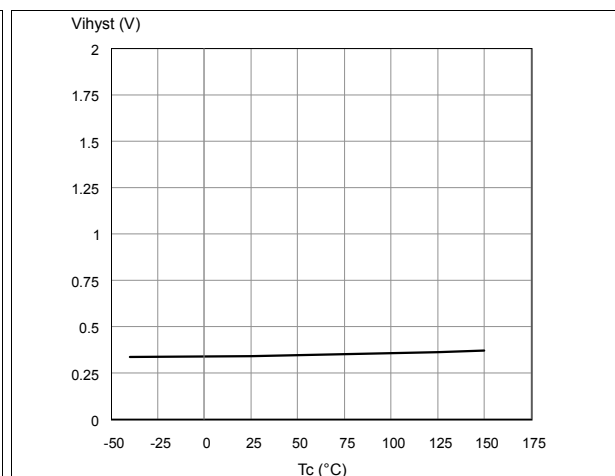
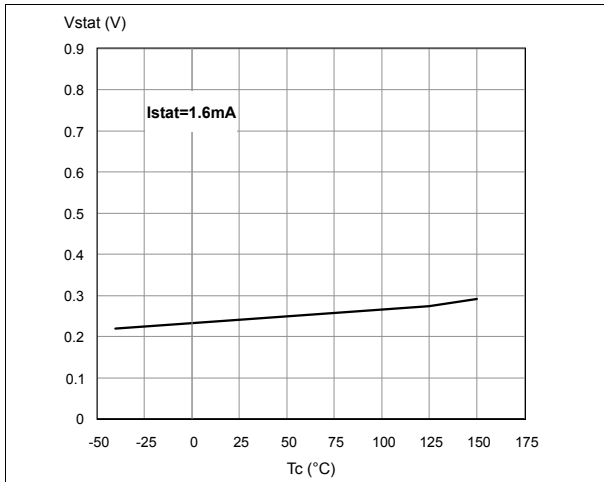


Figure 14. Status low output voltage



On state resistance vs T_{case}

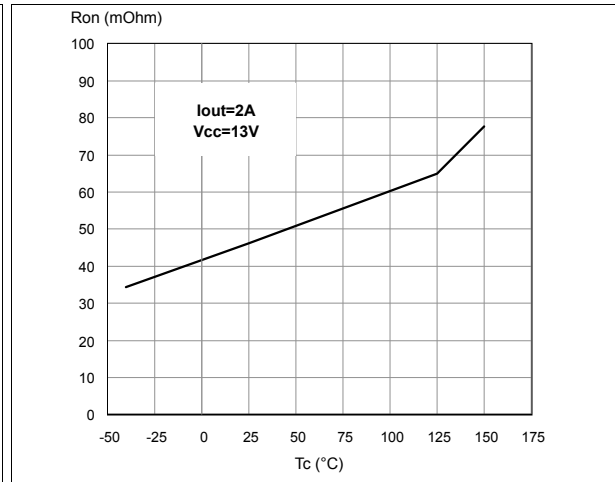


Figure 15. Status leakage current

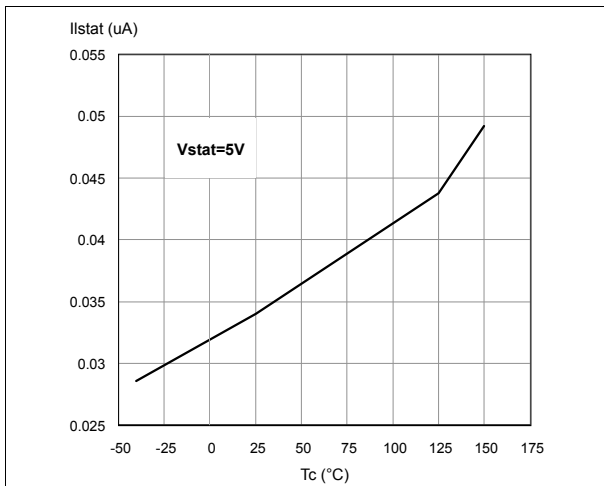


Figure 16. On state resistance vs V_{CC}

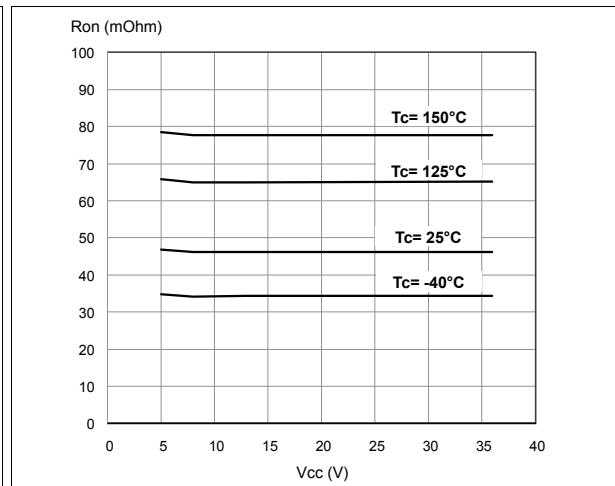


Figure 17. Status clamp voltage

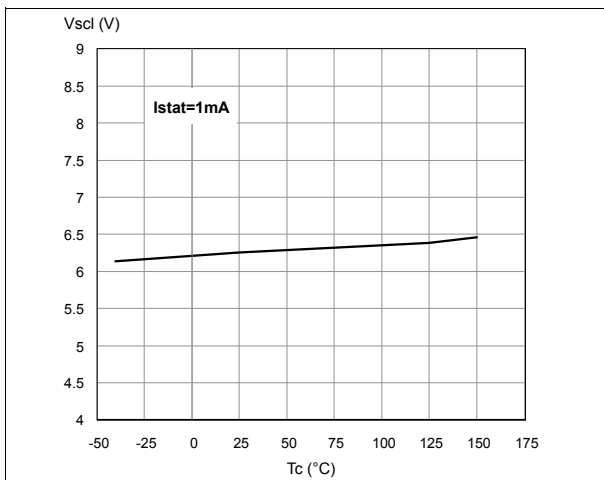


Figure 18. Openload On state detection threshold

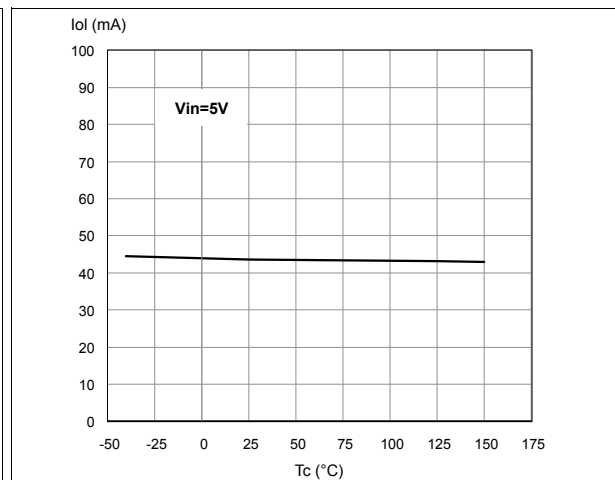


Figure 19. Openload Off state voltage detection threshold

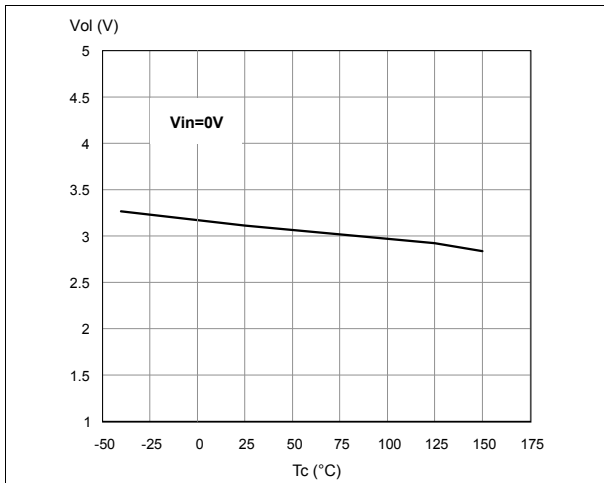


Figure 20. I_{LIM} vs T_{case}

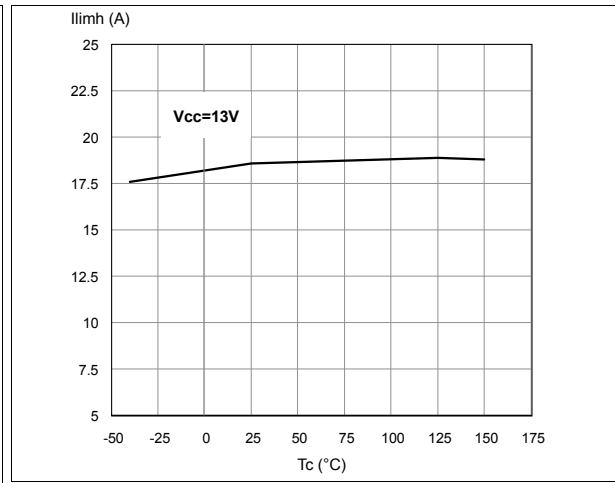


Figure 21. Turn-On voltage slope

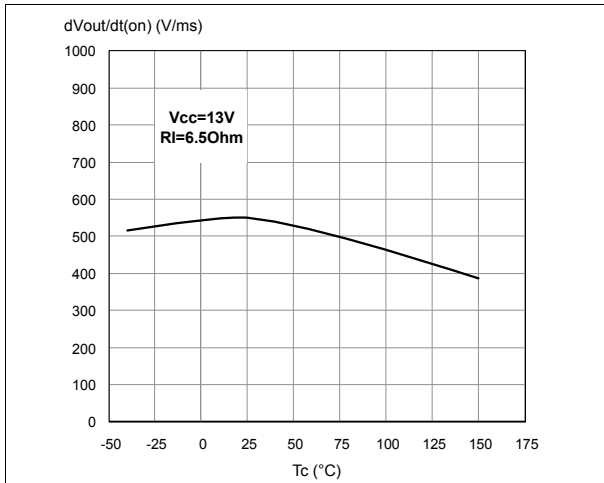


Figure 22. Undervoltage shutdown

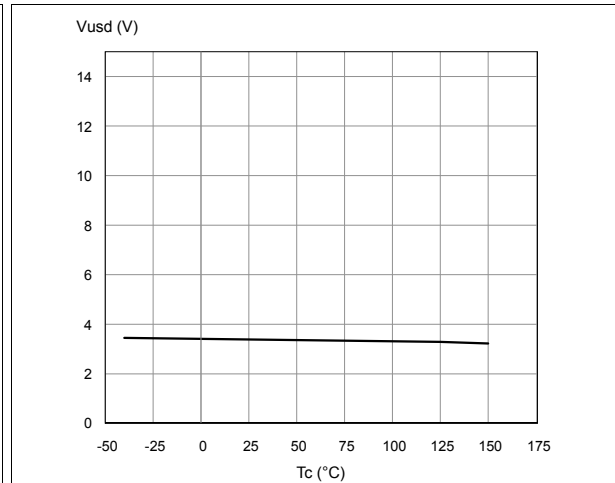


Figure 23. Turn-Off voltage slope

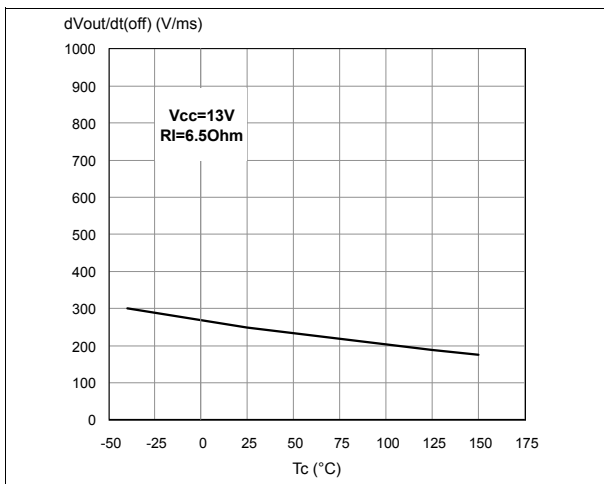


Figure 24. STAT_DIS clamp voltage

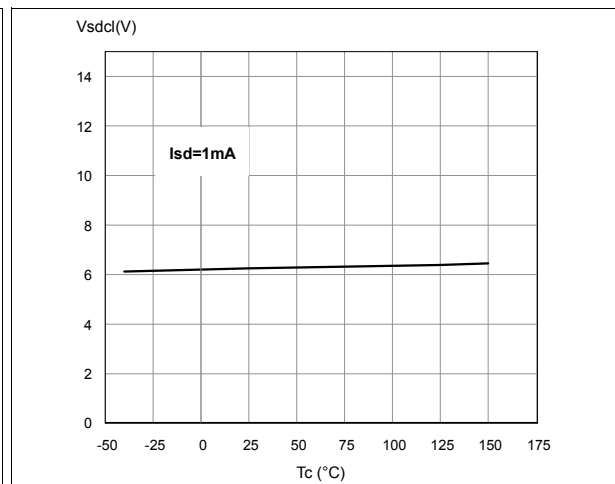


Figure 25. High level STAT_DIS voltage

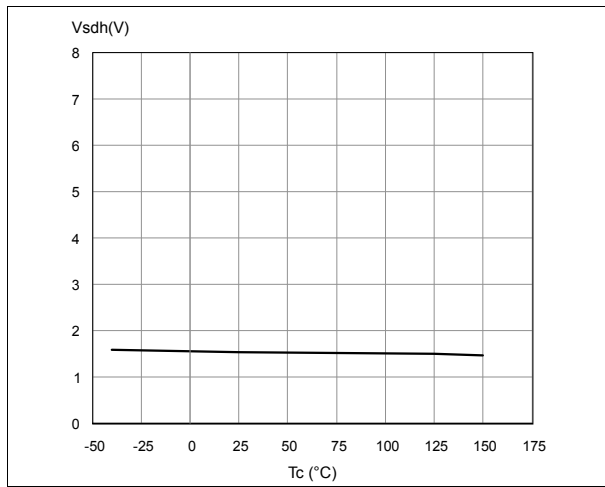
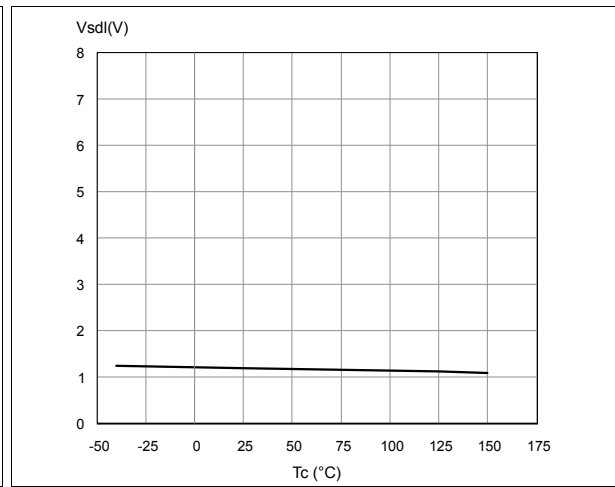
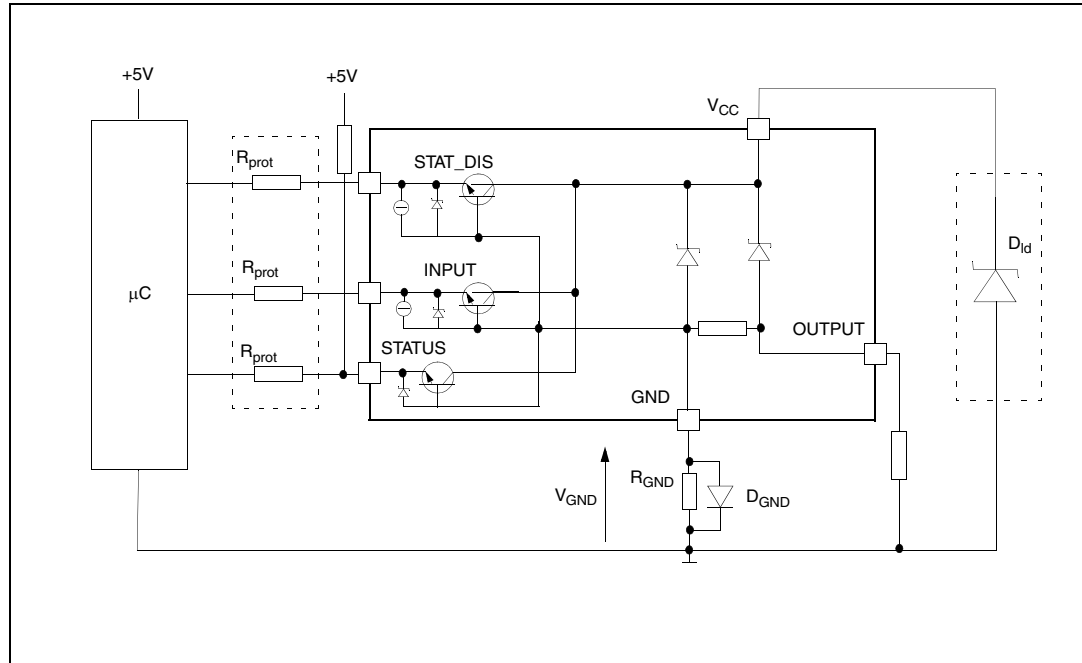


Figure 26. Low level STAT_DIS voltage



3 Application information

Figure 27. Application schematic



3.1 GND protection network against reverse battery

3.1.1 Solution 1: resistor in the ground line (R_GND only)

This can be used with any type of load.

The following is an indication on how to dimension the R_GND resistor.

1. $R_{GND} \leq 600\text{mV} / (I_{S(on)max})$.
2. $R_{GND} \geq (-V_{CC}) / (-I_{GND})$

where $-I_{GND}$ is the DC reverse ground pin current and can be found in the absolute maximum rating section of the device datasheet.

Power Dissipation in R_GND (when $V_{CC} < 0$: during reverse battery situations) is:

$$P_D = (-V_{CC})^2 / R_{GND}$$

This resistor can be shared amongst several different HSDs. Please note that the value of this resistor should be calculated with formula (1) where $I_{S(on)max}$ becomes the sum of the maximum on-state currents of the different devices.

Please note that if the microprocessor ground is not shared by the device ground then the R_GND will produce a shift ($I_{S(on)max} * R_{GND}$) in the input thresholds and the status output values. This shift will vary depending on how many devices are ON in the case of several high side drivers sharing the same R_GND.

If the calculated power dissipation leads to a large resistor or several devices have to share the same resistor then ST suggests to utilize Solution 2 (see below).

3.1.2 Solution 2: diode (D_{GND}) in the ground line

A resistor ($R_{GND}=1k\Omega$) should be inserted in parallel to D_{GND} if the device drives an inductive load.

This small signal diode can be safely shared amongst several different HSDs. Also in this case, the presence of the ground network will produce a shift ($\approx 600mV$) in the input threshold and in the status output values if the microprocessor ground is not common to the device ground. This shift will not vary if more than one HSD shares the same diode/resistor network.

3.2 Load dump protection

D_{ld} is necessary (Voltage Transient Suppressor) if the load dump peak voltage exceeds the V_{CC} max DC rating. The same applies if the device is subject to transients on the V_{CC} line that are greater than the ones shown in the ISO 7637-2: 2004(E) table.

3.3 MCU I/Os protection

If a ground protection network is used and negative transient are present on the V_{CC} line, the control pins will be pulled negative. ST suggests to insert a resistor (R_{prot}) in line to prevent the μC I/Os pins to latch-up.

The value of these resistors is a compromise between the leakage current of μC and the current required by the HSD I/Os (Input levels compatibility) with the latch-up limit of μC I/Os.

$$-V_{CCpeak}/I_{latchup} \leq R_{prot} \leq (V_{OH\mu C} - V_{IH} - V_{GND}) / I_{IHmax}$$

Calculation example:

For $V_{CCpeak} = -100V$ and $I_{latchup} \geq 20mA$; $V_{OH\mu C} \geq 4.5V$

$$5k\Omega \leq R_{prot} \leq 180k\Omega$$

Recommended values: $R_{prot} = 10k\Omega$.

3.4 Open load detection in Off state

Off state open load detection requires an external pull-up resistor (R_{PU}) connected between OUTPUT pin and a positive supply voltage (V_{PU}) like the +5V line used to supply the microprocessor.

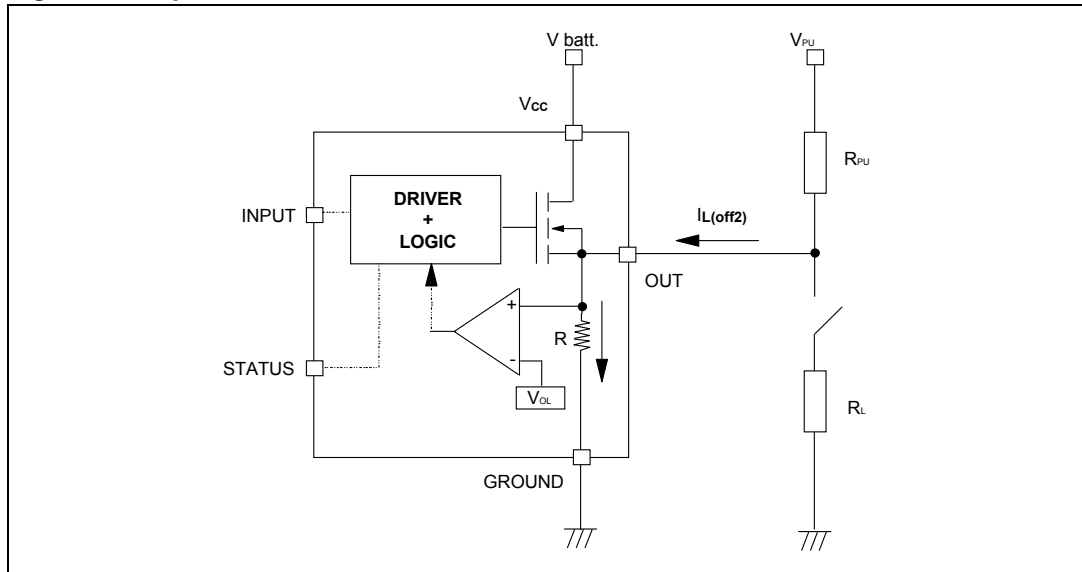
The external resistor has to be selected according to the following requirements:

- no false open load indication when load is connected: in this case we have to avoid V_{OUT} to be higher than V_{OLmin} ; this results in the following condition $V_{OUT} = (V_{PU} / (R_L + R_{PU})) R_L < V_{OLmin}$.
- no misdetection when load is disconnected: in this case the V_{OUT} has to be higher than V_{OLmax} ; this results in the following condition $R_{PU} < (V_{PU} - V_{OLmax}) / I_{L(off2)}$.

Because $I_{s(OFF)}$ may significantly increase if V_{out} is pulled high (up to several mA), the pull-up resistor R_{PU} should be connected to a supply that is switched OFF when the module is in standby.

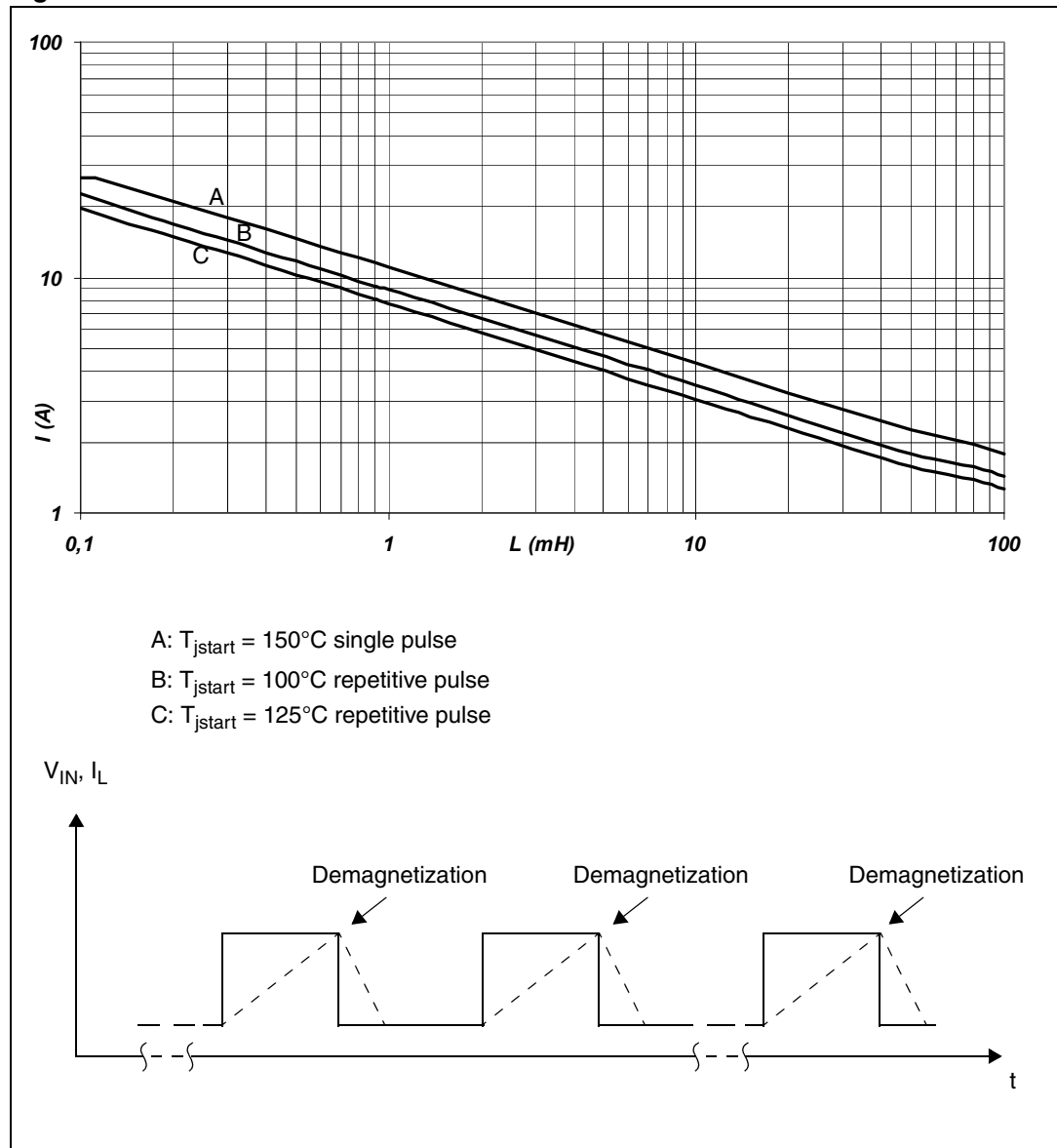
The values of V_{OLmin} , V_{OLmax} and $I_{L(off2)}$ are available in the Electrical characteristics section.

Figure 28. Open load detection in Off state



3.5 Maximum demagnetization energy ($V_{CC} = 13.5V$)

Figure 29. Maximum turn Off current versus inductance

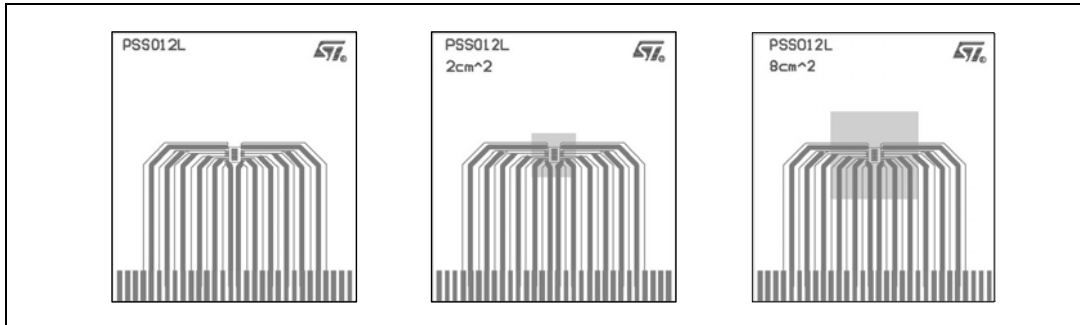


Note: Values are generated with $R_L = 0 \Omega$. In case of repetitive pulses, T_{jstart} (at beginning of each demagnetization) of every pulse must not exceed the temperature specified above for curves A and B.

4 Package and PCB thermal data

4.1 PowerSSO-12™ thermal data

Figure 30. PowerSSO-12™ PC Board



Note: Layout condition of R_{th} and Z_{th} measurements (PCB: Double layer, Thermal Vias, FR4 area= 77mm x 86mm, PCB thickness=1.6mm, Cu thickness=70 μ m (front and back side), Copper areas: from minimum pad lay-out to 8cm²).

Figure 31. $R_{thj-amb}$ Vs. PCB copper area in open box free air condition

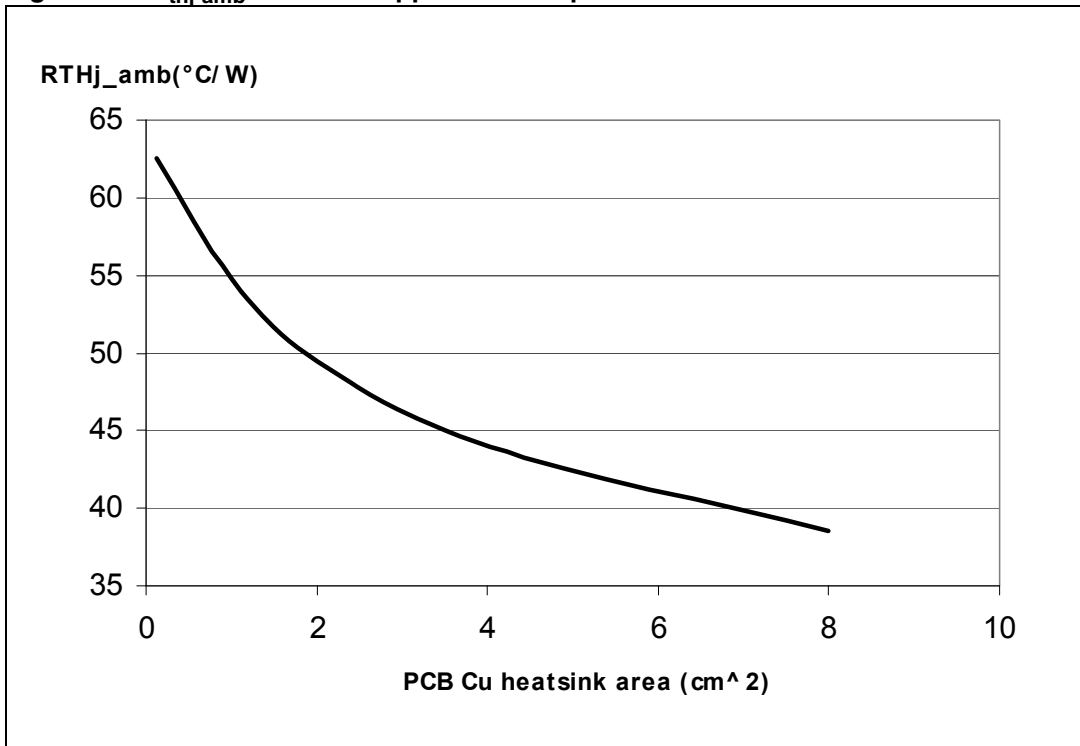
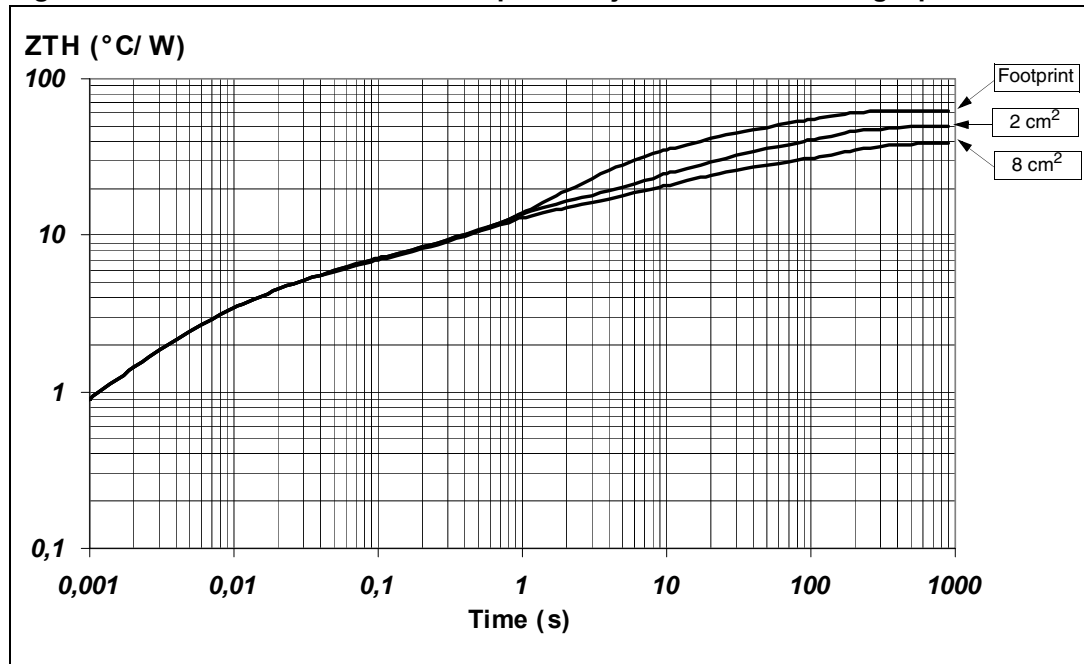


Figure 32. PowerSSO-12™ thermal impedance junction ambient single pulse

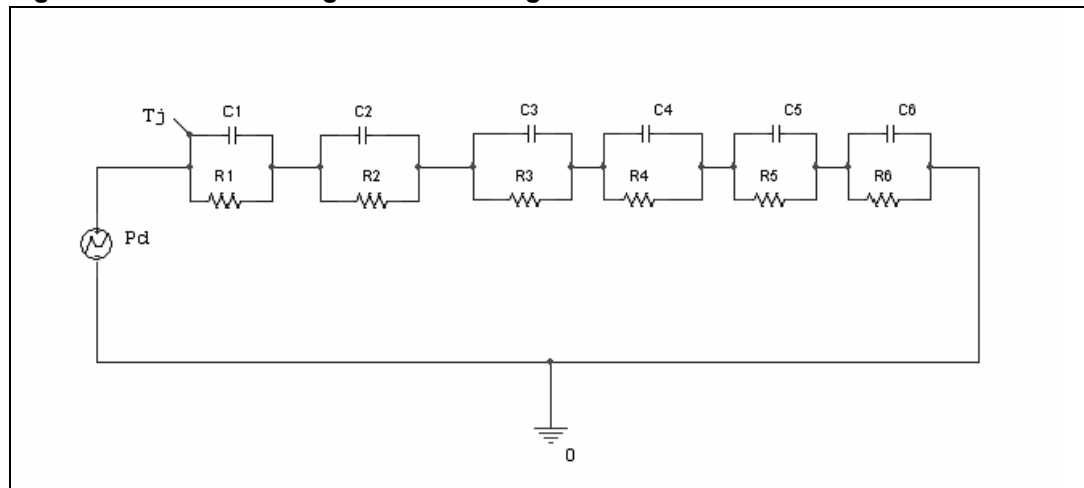


Equation 1: pulse calculation formula

$$Z_{TH\delta} = R_{TH} \cdot \delta + Z_{THtp}(1 - \delta)$$

where $\delta = t_p/T$

Figure 33. Thermal fitting model of a single channel HSD in PowerSSO-12™ (a)



(a) The fitting model is a simplified thermal tool and is valid for transient evolutions where the embedded protections (power limitation or thermal cycling during thermal shutdown) are not triggered.

Table 14. Thermal parameter

| Area/island (cm ²) | Footprint | 2 | 8 |
|--------------------------------|-----------|-----|-----|
| R1 (°C/W) | 0.7 | | |
| R2 (°C/W) | 2.8 | | |
| R3 (°C/W) | 3 | | |
| R4 (°C/W) | 8 | 8 | 7 |
| R5 (°C/W) | 22 | 15 | 10 |
| R6 (°C/W) | 26 | 20 | 15 |
| C1 (W.s/°C) | 0.001 | | |
| C2 (W.s/°C) | 0.0025 | | |
| C3 (W.s/°C) | 0.0166 | | |
| C4 (W.s/°C) | 0.2 | 0.1 | 0.1 |
| C5 (W.s/°C) | 0.27 | 0.8 | 1 |
| C6 (W.s/°C) | 3 | 6 | 9 |

5 Package and packing information

5.1 ECOPACK® packages

In order to meet environmental requirements, ST offers these devices in ECOPACK® packages. These packages have a Lead-free second-level interconnect. The category of Second-Level Interconnect is marked on the package and on the inner box label, in compliance with JEDEC Standard JESD97.

The maximum ratings related to soldering conditions are also marked on the inner box label. ECOPACK is an ST trademark. ECOPACK specifications are available at: www.st.com.

5.2 Package mechanical data

Figure 34. PowerSSO-12™ package dimensions

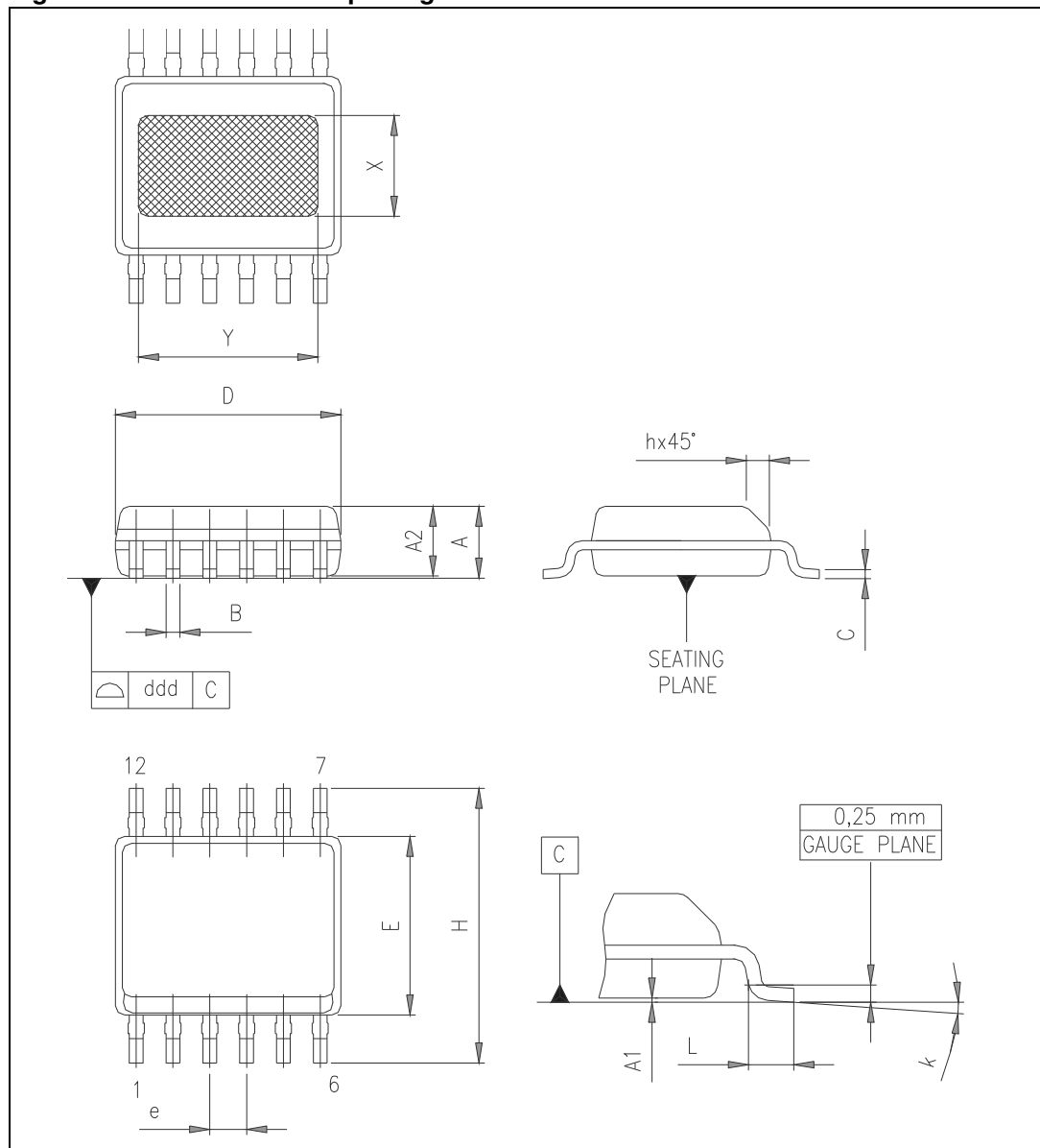


Table 15. PowerSSO-12™ mechanical data

| Symbol | Millimeters | | |
|--------|-------------|-------|-------|
| | Min. | Typ. | Max. |
| A | 1.250 | | 1.620 |
| A1 | 0.000 | | 0.100 |
| A2 | 1.100 | | 1.650 |
| B | 0.230 | | 0.410 |
| C | 0.190 | | 0.250 |
| D | 4.800 | | 5.000 |
| E | 3.800 | | 4.000 |
| e | | 0.800 | |
| H | 5.800 | | 6.200 |
| h | 0.250 | | 0.500 |
| L | 0.400 | | 1.270 |
| k | 0° | | 8° |
| X | 2.200 | | 2.800 |
| Y | 2.900 | | 3.500 |
| ddd | | | 0.100 |

5.3 Packing information

Figure 35. PowerSSO-12™ tube shipment (no suffix)

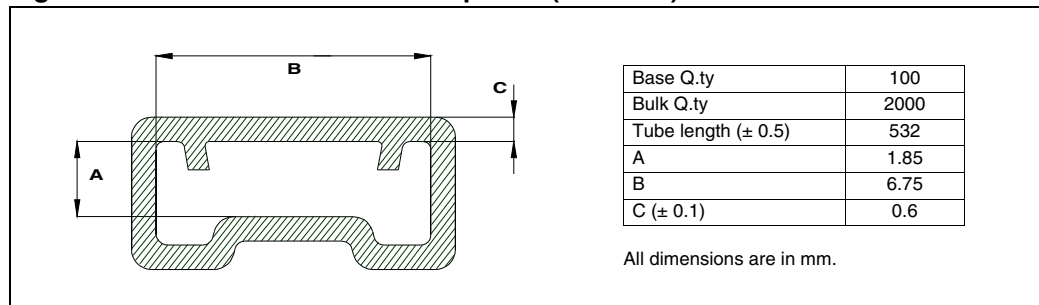
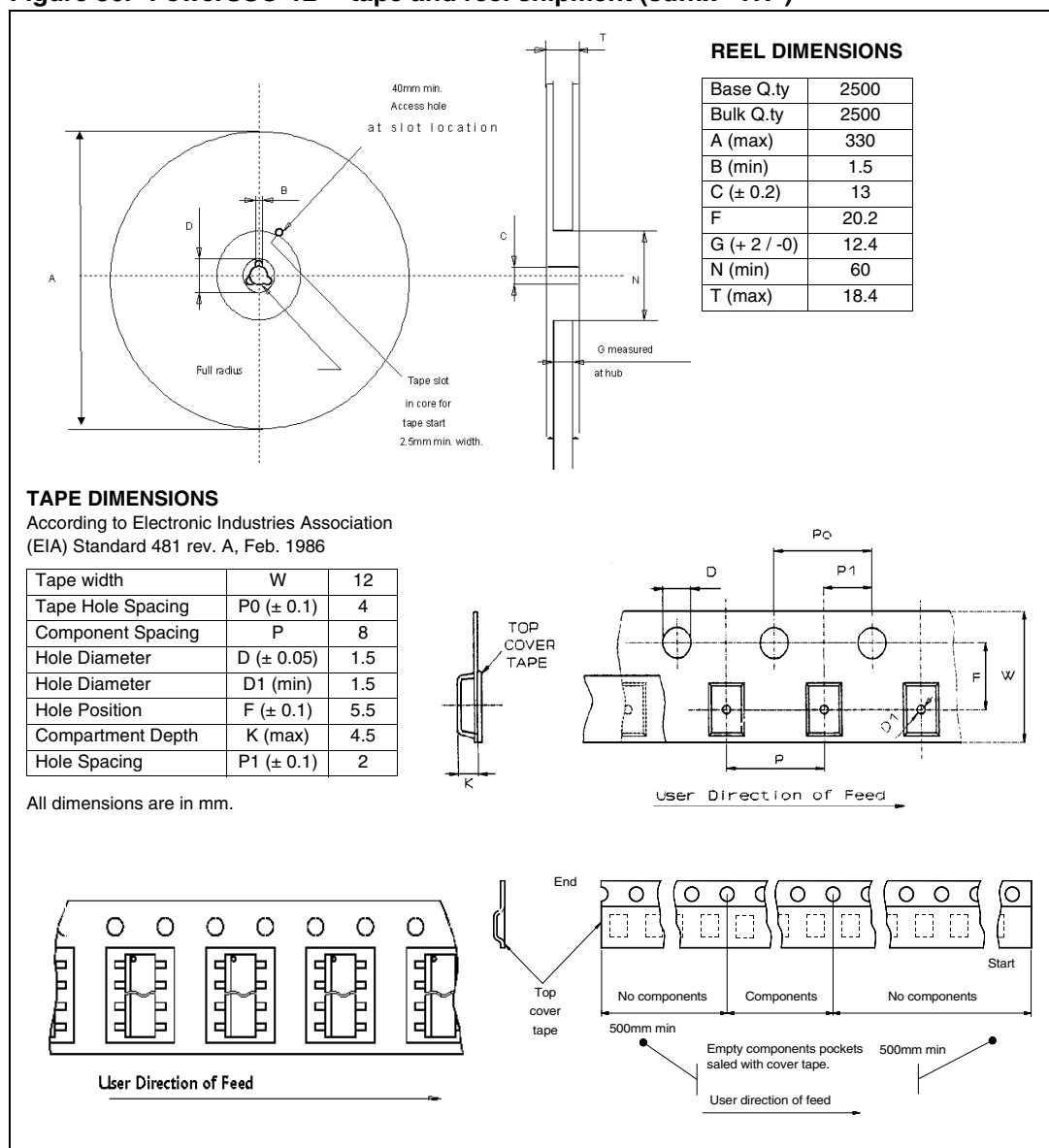


Figure 36. PowerSSO-12™ tape and reel shipment (suffix “TR”)



6 Revision history

Table 16. Document revision history

| Date | Revision | Changes |
|-------------|----------|--|
| 30-Mar-2006 | 1 | Initial release. |
| 13-Sep-2007 | 2 | <p>Document reformatted and restructured. Contents and lists of tables and figures added. <i>Figure 2: Configuration diagram (top view)</i> updated: pins 1-6-7-12 N.C. (not connected). <i>Table 4: Absolute maximum ratings:</i> EMAX entries updated. <i>Table 13: Electrical transient requirements</i> :Test level values III and IV for test pulse 5b and notes updated. <i>Section 3.5: Maximum demagnetization energy (VCC = 13.5V)</i> added. <i>Figure 33: Thermal fitting model of a single channel HSD in PowerSSO-12™</i> : note added <i>Table 15: PowerSSO-12™ mechanical data</i> : slug dimensions (X,Y) corrected</p> |
| 10-Dec-2007 | 3 | <p><i>Figure 2: Configuration diagram (top view):</i> added note. Updated <i>Section 4.1: PowerSSO-12™ thermal data:</i></p> <ul style="list-style-type: none"> – changed <i>Figure 31: Rthj-amb Vs. PCB copper area in open box free air condition.</i> – changed <i>Figure 32: PowerSSO-12™ thermal impedance junction ambient single pulse.</i> – updated <i>Table 14: Thermal parameter:</i> <ul style="list-style-type: none"> R1 value changed from 0.6 to 0.7 °C/W. R3 value changed from 6.5 to 3 °C/W. R4 values changed from 10 /10 /9 to 8 /8 /7 °C/W. C3 value changed from 0.022 to 0.0166 W.s/°C. |
| 25-Sep-2013 | 4 | Updated disclaimer. |

Please Read Carefully:

Information in this document is provided solely in connection with ST products. STMicroelectronics NV and its subsidiaries ("ST") reserve the right to make changes, corrections, modifications or improvements, to this document, and the products and services described herein at any time, without notice.

All ST products are sold pursuant to ST's terms and conditions of sale.

Purchasers are solely responsible for the choice, selection and use of the ST products and services described herein, and ST assumes no liability whatsoever relating to the choice, selection or use of the ST products and services described herein.

No license, express or implied, by estoppel or otherwise, to any intellectual property rights is granted under this document. If any part of this document refers to any third party products or services it shall not be deemed a license grant by ST for the use of such third party products or services, or any intellectual property contained therein or considered as a warranty covering the use in any manner whatsoever of such third party products or services or any intellectual property contained therein.

UNLESS OTHERWISE SET FORTH IN ST'S TERMS AND CONDITIONS OF SALE ST DISCLAIMS ANY EXPRESS OR IMPLIED WARRANTY WITH RESPECT TO THE USE AND/OR SALE OF ST PRODUCTS INCLUDING WITHOUT LIMITATION IMPLIED WARRANTIES OF MERCHANTABILITY, FITNESS FOR A PARTICULAR PURPOSE (AND THEIR EQUIVALENTS UNDER THE LAWS OF ANY JURISDICTION), OR INFRINGEMENT OF ANY PATENT, COPYRIGHT OR OTHER INTELLECTUAL PROPERTY RIGHT.

ST PRODUCTS ARE NOT DESIGNED OR AUTHORIZED FOR USE IN: (A) SAFETY CRITICAL APPLICATIONS SUCH AS LIFE SUPPORTING, ACTIVE IMPLANTED DEVICES OR SYSTEMS WITH PRODUCT FUNCTIONAL SAFETY REQUIREMENTS; (B) AERONAUTIC APPLICATIONS; (C) AUTOMOTIVE APPLICATIONS OR ENVIRONMENTS, AND/OR (D) AEROSPACE APPLICATIONS OR ENVIRONMENTS. WHERE ST PRODUCTS ARE NOT DESIGNED FOR SUCH USE, THE PURCHASER SHALL USE PRODUCTS AT PURCHASER'S SOLE RISK, EVEN IF ST HAS BEEN INFORMED IN WRITING OF SUCH USAGE, UNLESS A PRODUCT IS EXPRESSLY DESIGNATED BY ST AS BEING INTENDED FOR "AUTOMOTIVE, AUTOMOTIVE SAFETY OR MEDICAL" INDUSTRY DOMAINS ACCORDING TO ST PRODUCT DESIGN SPECIFICATIONS. PRODUCTS FORMALLY ESCC, QML OR JAN QUALIFIED ARE DEEMED SUITABLE FOR USE IN AEROSPACE BY THE CORRESPONDING GOVERNMENTAL AGENCY.

Resale of ST products with provisions different from the statements and/or technical features set forth in this document shall immediately void any warranty granted by ST for the ST product or service described herein and shall not create or extend in any manner whatsoever, any liability of ST.

ST and the ST logo are trademarks or registered trademarks of ST in various countries.

Information in this document supersedes and replaces all information previously supplied.

The ST logo is a registered trademark of STMicroelectronics. All other names are the property of their respective owners.

© 2013 STMicroelectronics - All rights reserved

STMicroelectronics group of companies

Australia - Belgium - Brazil - Canada - China - Czech Republic - Finland - France - Germany - Hong Kong - India - Israel - Italy - Japan - Malaysia - Malta - Morocco - Philippines - Singapore - Spain - Sweden - Switzerland - United Kingdom - United States of America

www.st.com

X-ON Electronics

Largest Supplier of Electrical and Electronic Components

Click to view similar products for [Gate Drivers](#) category:

Click to view products by [STMicroelectronics](#) manufacturer:

Other Similar products are found below :

[00053P0231](#) [56956](#) [57.404.7355.5](#) [LT4936](#) [57.904.0755.0](#) [5882900001](#) [00600P0005](#) [00-9050-LRPP](#) [00-9090-RDPP](#) [5951900000](#) [01-1003W-10/32-15](#) [0131700000](#) [00-2240](#) [LTP70N06](#) [LVP640](#) [5J0-1000LG-SIL](#) [LY1D-2-5S-AC120](#) [LY2-US-AC240](#) [LY3-UA-DC24](#) [00576P0020](#) [00600P0010](#) [LZN4-UA-DC12](#) [LZNQ2M-US-DC5](#) [LZNQ2-US-DC12](#) [LZP40N10](#) [00-8196-RDPP](#) [00-8274-RDPP](#) [00-8275-RDNP](#) [00-8722-RDPP](#) [00-8728-WHPP](#) [00-8869-RDPP](#) [00-9051-RDPP](#) [00-9091-LRPP](#) [00-9291-RDPP](#) [0207100000](#) [0207400000](#) [01312](#) [0134220000](#) [60713816](#) [M15730061](#) [61161-90](#) [61278-0020](#) [6131-204-23149P](#) [6131-205-17149P](#) [6131-209-15149P](#) [6131-218-17149P](#) [6131-220-21149P](#) [6131-260-2358P](#) [6131-265-11149P](#) [CS1HCPU63](#)