

T5454DV

Raspberry Pi Power Supply



Features:

- Official Raspberry Pi Power Supply
- 1.5M Micro USB B Lead
- ErP Level 5 Efficiency Rating
- 50,000 Hour MTBF
- 1 Years Warranty



Output

Output Voltage	+5Vdc
Minimum Load Current	0A
Nominal Load Current	2A
Nominal Output Power	10W
Output Regulation	+/-5%
Line Regulation	+/-2%
Ripple & Noise	300mVp-p Maximum
Rise Time	100mS Maximum at nominal input
Turn-on Delay	3 Seconds Maximum at nominal input
Protection	Short circuit, over current, over voltage
Efficiency	73.37%
Output Cable	1500mm Micro USB B 5 Pin

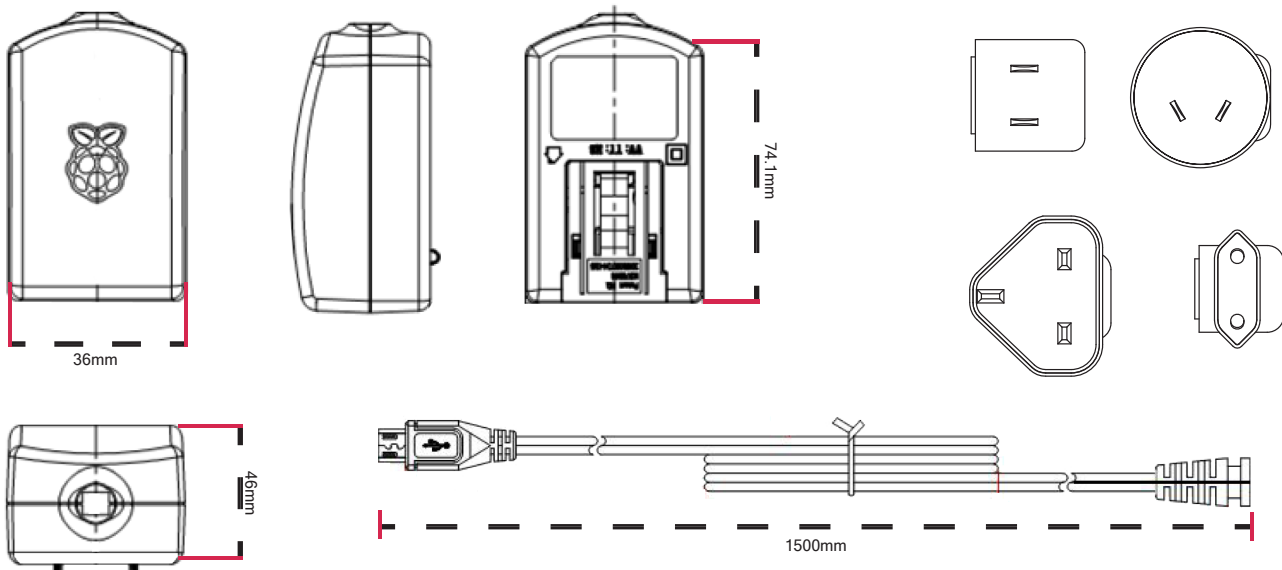
Input

Input Voltage Range	90-264VAC
Input Frequency	47-63Hz
Input Current	0.3A Max
Inrush Current	No damage and IP fuse will not blow
AC Inlet	UK, Euro, Aus & US changeable heads

Other

Dimensions	74.1x46x36mm
Weight	Approx 150g
Operating Temp.	0 °C to 50 °C
Storage Temp.	-20 °C to +60 °C
Operating Humidity	20 ~ 85 % RH. Non-Condensing
MTBF	50,000 Hours

Diagrams



X-ON Electronics

Largest Supplier of Electrical and Electronic Components

Click to view similar products for [stontronics](#) manufacturer:

Other Similar products are found below :

[T6090DV](#) [T5989DV](#)