

storm SF6000 Series Keypad



Compact numeric data entry for use where panel space is limited

- *Impact resistant*
20J BS EN 60068-2-75: 1997)
- *Weather resistant (IP65)*
- *Suitable for use by those with mobility or sensory impairment*
- *Permanent, high contrast, laser engraved keytop graphics (engraved and infilled metal keys)*
- *Raised tactile symbols on coloured function keys and 'home pip' on the 5 key*
- *Rugged, reliable and responsive data entry featuring Storm's patented switch technology*
- *Available with black polymer keys, illuminated polymer keys or metal keys*
- *Small footprint – overall dimensions: 106.5 x 88.5 x 31 mm (including contact connections)*
- *Can be sanitised using most commonly used cleaning agents*



www.storm-interface.com

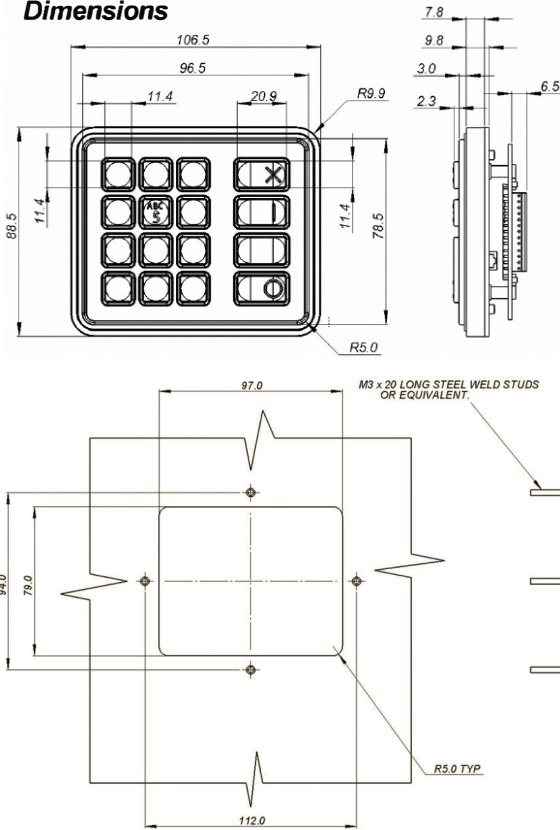
Storm Interface products include technology protected by international patents and design registration. All rights reserved.



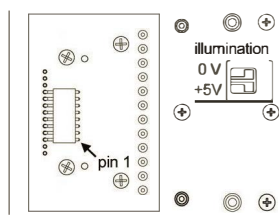
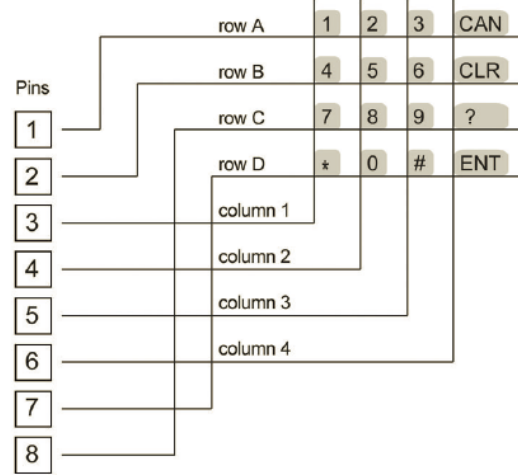
Small Footprint – SF6000 Series Keypad



Dimensions



Connection Details



Keypad connector
8-position, 0.1" pitch, gold plated right angle pins w/friction lock mates with: **Molex 22013087**

Illumination connector
2-position, disconnectable mates with: **JST PHR-2**



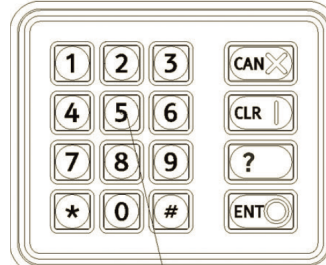
Keypad Layouts



All other keys are black polymer, laser marked white.



All other keys are metal, engraved and infilled black



5 Key has central homepip
All keys are translucent white marked with black characters

- Red Polymer Key** with raised cross
- Yellow Polymer Key** with raised vertical bar
- Blue Polymer Key** no raised feature
- Green Polymer Key** with raised circle
- Red Illumination** with raised cross
- Yellow Illumination** with raised vertical bar
- Blue Illumination** no raised feature
- Green Illumination** with raised circle

Electrical

Keypad Operating Voltage	24V DC (max)
Keypad Operating Current	50mA (max)
Contact Resistance	100 ohms (max)
Illumination Voltage	5V DC (separate connector)

Mechanical

Minimum Operational Life	4 million cycles/key
Keytop Travel	1.5 mm
Actuation Force	150 gm

Environmental

Operating Temperature	-20°C to 60°C
Vandal Resistant	20J BS EN 60068-2-75: 1997
Weather Resistant	IP65 (where mounted to a suitable enclosure – panel mount gasket included)

Ordering Details

Part No.	Description
8616-21002[x]	Laser Engraved polymer Keys
8616-31002[x]	Engraved Metal Keys
8616-41002[x]	Illuminated Polymer Keys
8600-MK000[x]	Under Panel Mount Kit
4200-003	RS-232 Encoder (Requires connection via a cable which Storm does not supply)

Whilst every effort is made to ensure details are correct at time of print, specifications are subject to change without notice.



860-LIT 01 Rev 2
Dec 2007

FM 39602



Storm is a trademark of Keymat Technology Ltd
Storm Interface is a trading name of Keymat Technology Ltd
Storm Interface products include technology protected by international patents and design registration. All rights reserved.

X-ON Electronics

Largest Supplier of Electrical and Electronic Components

Click to view similar products for [Mounting Fixings](#) category:

Click to view products by [Storm Interface](#) manufacturer:

Other Similar products are found below :

[5912235-2](#) [007541](#) [627](#) [M3783-7001](#) [71-074914-006](#) [71-441549-19S](#) [75-69211-3P](#) [75-69214-6P](#) [75-69220-27S](#) [75-69224-5S](#) [7717-8DAP](#)
[85047GULPT](#) [85048GBESR](#) [FPK-02-R10](#) [PMS27488-001-01](#) [1-18023-0](#) [H-118-2](#) [DB1](#) [1302030464](#) [DC37-22-21PX](#) [1302010957](#)
[1302263564](#) [1302340393](#) [1404-0016-78](#) [14540](#) [1561-60](#) [1566](#) [1566](#) [BR16A](#) [NT20SATT01](#) [22594-8](#) [KBB-141](#) [89078GBEPR](#) [915060](#)
[SF4011-60101](#) [97-CS-50](#) [1671](#) [1855-54](#) [T-2085-SP](#) [20800240002](#) [21899-4](#) [2193](#) [2518](#) [25745-1](#) [H-118-1](#) [354467](#) [37184](#) [4658](#) [4665](#) [4731](#)