

# storm SF6000 Series Keypad



## Compact numeric data entry for use where panel space is limited

- Impact resistant  
20J BS EN 60068-2-75: 1997)
- Weather resistant (IP65)
- Suitable for use by those with mobility or sensory impairment
- Permanent, high contrast, laser engraved keytop graphics (engraved and infilled metal keys)
- Raised tactile symbols on coloured function keys and 'home pip' on the 5 key
- Rugged, reliable and responsive data entry featuring Storm's patented switch technology
- Available with black polymer keys, illuminated polymer keys or metal keys
- Small footprint – overall dimensions: 106.5 x 88.5 x 31 mm (including contact connections)
- Can be sanitised using most commonly used cleaning agents



[www.storm-interface.com](http://www.storm-interface.com)

Storm Interface products include technology protected by international patents and design registration. All rights reserved.

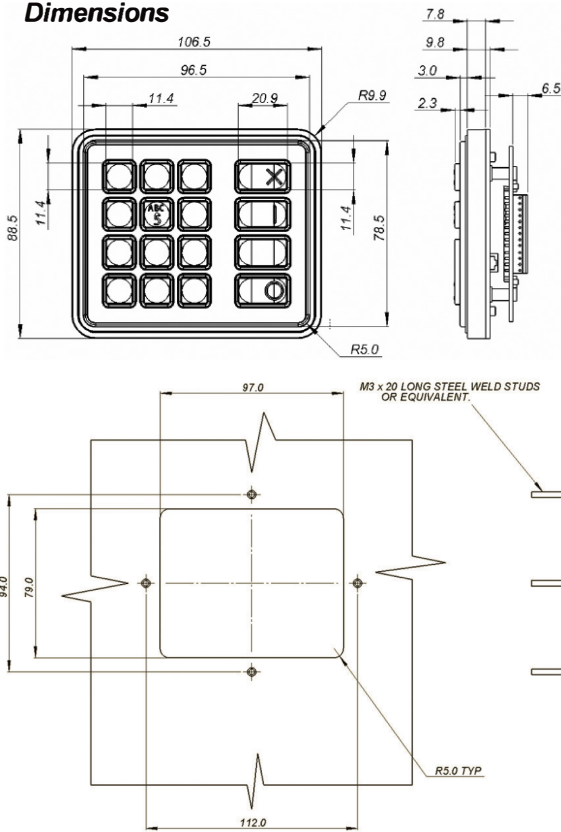




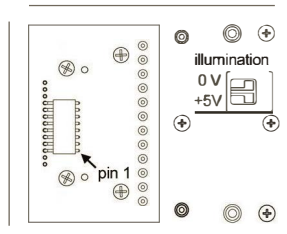
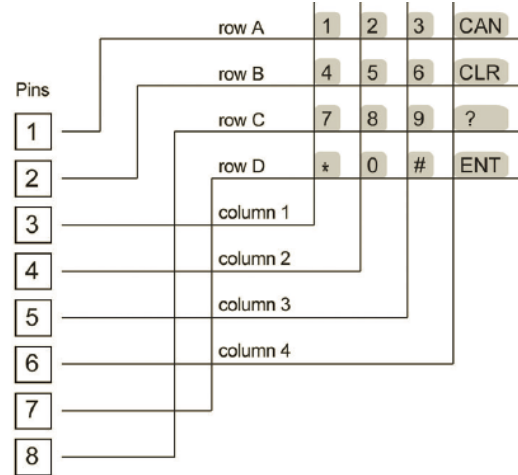
# Small Footprint – SF6000 Series Keypad



## Dimensions



## Connection Details



### Keypad connector

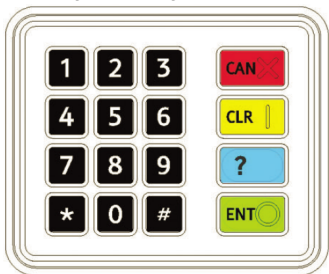
8-position, 0.1" pitch, gold plated right angle pins w/friction lock mates with: **Molex 22013087**

### Illumination connector

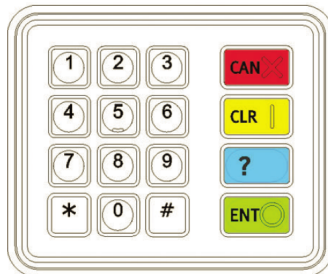
2-position, disconnectable mates with: **JST PHR-2**



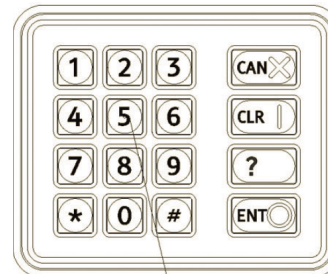
## Keypad Layouts



All other keys are black polymer, laser marked white.



All other keys are metal, engraved and infilled black



5 Key has central homepip

All keys are translucent white marked with black characters

- Red Polymer Key** with raised cross
- Yellow Polymer Key** with raised vertical bar
- Blue Polymer Key** no raised feature
- Green Polymer Key** with raised circle

- Red Illumination** with raised cross
- Yellow Illumination** with raised vertical bar
- Blue Illumination** no raised feature
- Green Illumination** with raised circle

## Electrical

Keypad Operating Voltage	24V DC (max)
Keypad Operating Current	50mA (max)
Contact Resistance	100 ohms (max)
Illumination Voltage	5V DC (separate connector)

## Mechanical

Minimum Operational Life	4 million cycles/key
Keytop Travel	1.5 mm
Actuation Force	150 gm

## Environmental

Operating Temperature	-20°C to 60°C
Vandal Resistant	20J BS EN 60068-2-75: 1997
Weather Resistant	IP65 (where mounted to a suitable enclosure – panel mount gasket included)

## Ordering Details

Part No.	Description
8616-21002[x]	Laser Engraved polymer Keys
8616-31002[x]	Engraved Metal Keys
8616-41002[x]	Illuminated Polymer Keys
8600-MK000[x]	Under Panel Mount Kit
4200-003	RS-232 Encoder (Requires connection via a cable which Storm does not supply)

Whilst every effort is made to ensure details are correct at time of print, specifications are subject to change without notice.



FM 39602



Storm is a trademark of Keymat Technology Ltd  
Storm Interface is a trading name of Keymat Technology Ltd  
Storm Interface products include technology protected by international patents and design registration. All rights reserved.

860-LIT 01 Rev 2  
Dec 2007

## X-ON Electronics

Largest Supplier of Electrical and Electronic Components

*Click to view similar products for [Input Devices](#) category:*

*Click to view products by [Storm Interface](#) manufacturer:*

Other Similar products are found below :

[80260-00](#) [81485-28](#) [81521-08](#) [FKB4720-103](#) [84250-26](#) [84980-04](#) [84S-AC1-000](#) [JD-0700EU-2](#) [JM-0800-2](#) [JW-T0100](#) [89498-13](#) [89758-05](#)  
[89886-26](#) [89941-00](#) [G80-3000LSCEU-2](#) [MJ0FGGRY](#) [JM-0800-0](#) [84S-BB1-004](#) [81601-26](#) [UL21KMZQ](#) [G8011900LPMUS0](#) [G84-](#)  
[4700LUCUS-0](#) [81485-26](#) [84105-13](#) [V400-W24 5M](#) [V400-W23 5M](#) [G84-5200LCMEU-2](#) [DT2257X20V00GRY](#) [84Z2029-78](#) [84Z2029-79](#)  
[V400-W23P 5M](#) [VW3A8151R20U](#) [V400-W24 15M](#) [LT1332D](#) [V400-W24 10M](#) [V400-W24P 15M](#) [V400-WM0 1M](#) [V400-W24P 10M](#) [V400-](#)  
[W23P 10M](#) [TCS-1492OP](#) [V400-W23 3M](#) [LT1372D](#) [LP1007EXXH00R](#) [DT2253X20V00BLK](#) [100133BX](#) [EZ08-230013](#) [81248-04](#) [89887-26](#)  
[90215-00](#) [HB110C3NWBNA](#)