

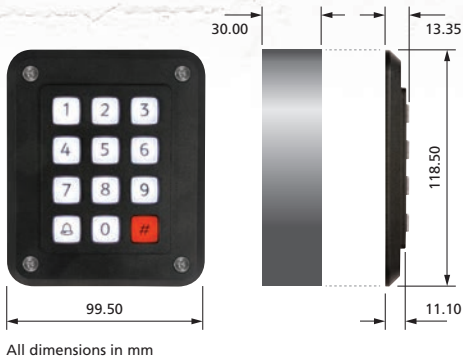
## The practical alternative to keys

The Storm AXS-DR2 keypad is a self contained single door access control system. The keypad will recognise up to 50 user programmed entry codes to allow access through a locked door.

Entering an authorised code will energise an electrically operated lock. 4, 5 or 6 Digit codes can be programmed to release the lock for a limited time before it automatically re-locks.

Alternatively, codes can be programmed to permanently release the lock until an authorised code is re-entered to re-lock. The AXS-DR2 is easily installed to any rigid surface, providing a convenient and practical alternative to the issuance of mechanical keys or key cards.

Storm AXS-DR2 keypads are rated for continuous use in outdoor or indoor locations. They are impact resistant and sealed against the ingress of water and dust. For dark or partially lit locations the AXS-DR2i keypad includes integral keytop illumination.



- Up to 50 user programmable entry codes
- Entry code indexing for secure allocation and re-allocation of entry codes
- 4, 5 or 6 digit entry codes
- Timed release or latching operation
- Timed lock out for "code hacker" resistance
- Remote exit switch facility
- Weather resistant to IP65
- Hidden entry code feature
- Optional privacy shield

### Performance

Operational key life:  
 Keytop Travel  
 Actuation Force  
 Connector

>4 million cycles per key  
 1.4mm nominal  
 150gms nominal  
 Screw terminals



### Environmental

Operational temperature:  
 Water and dust resistance:

-20°C to +70°C (dry)  
 IP65 (when fixed to a suitable enclosure)



### Electrical

Operating Voltage  
 Operating Current

12V DC +/- 10% (max)  
 300mA (max at 12V DC)

### Material

Casing  
 Keytops  
 Backplate  
 Contact Circuit

High Impact Polymer (black)  
 High Impact Polymer (black or translucent)  
 Steel (corrosion protected)  
 Gold on Nickel Plated FR4

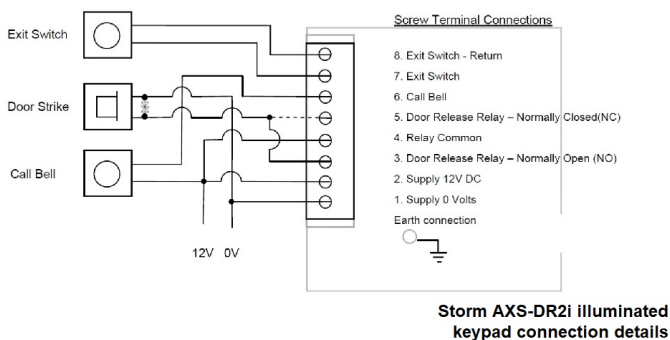
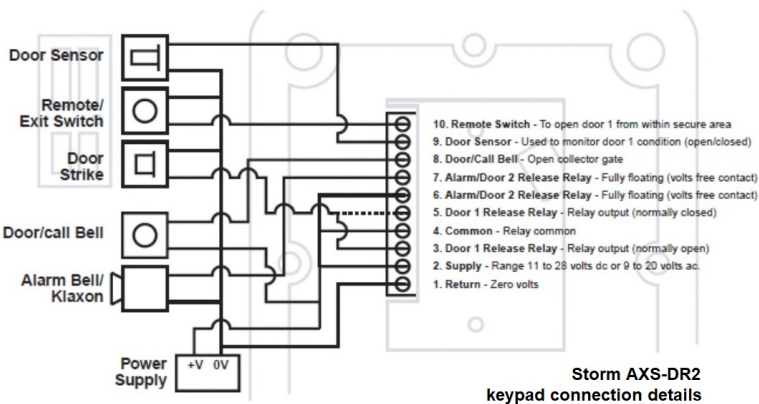


### Compliance

This device is designed to meet:

- EU RoHS
- EU Low Voltage Directive
- ESD: Up to +/- 15kV air discharge, +/- 7.5kV contact discharge
- WEEE Directive
- EMC-CE, FCC Part 15B Class B
- EN55022 Class B, EN60950, EN55024
- UL294

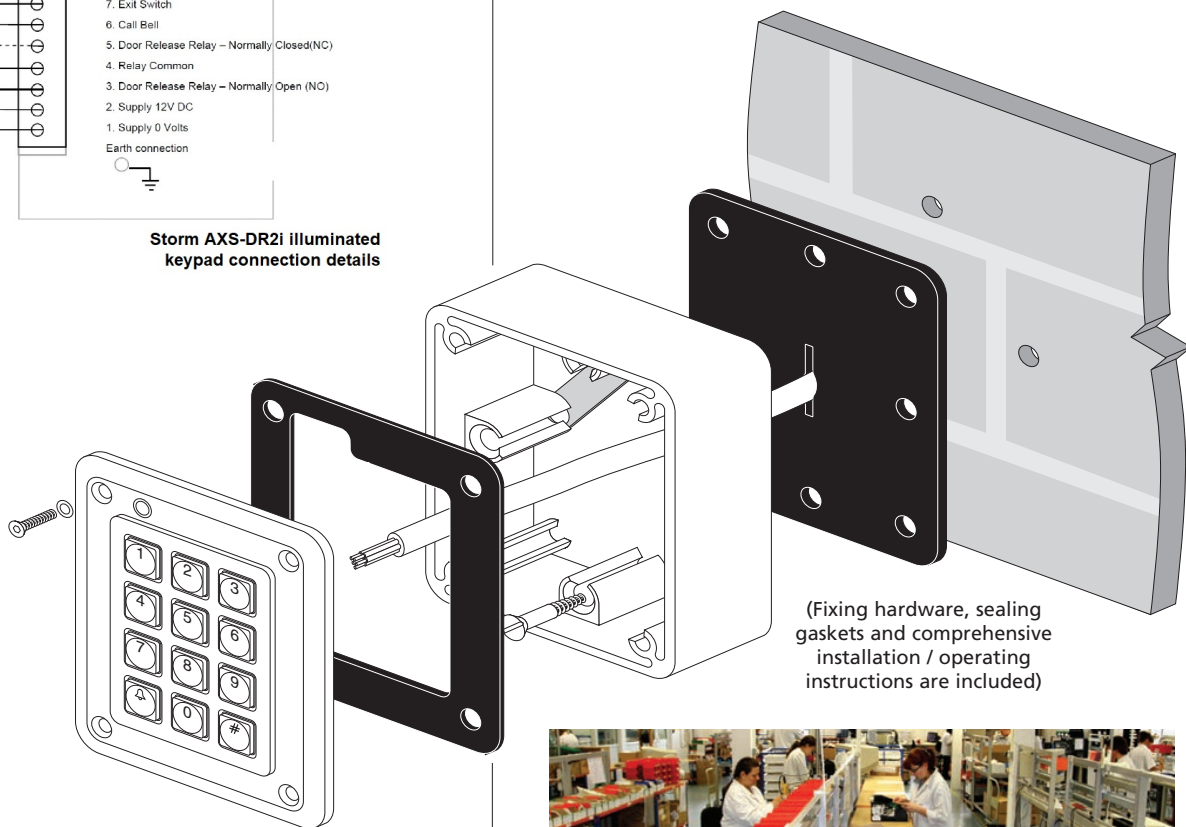




The Storm AXS StrikeMaster, Single Door Keypad, is ideally suited for access control in outdoor and indoor locations. It is impact resistant and sealed against water and dust to IP65.

All Storm AXS Keypads incorporate proven Storm switching technology to ensure rapid, reliable and responsive data entry. Specified to survive in a variety of service environments, ranging from exposed, unsupervised public environments, to general service / indoor installations. Keypads in the Storm AXS range are dimensionally and electrically interchangeable. This allows users, entering codes at both outdoor and indoor access points to establish and maintain familiarity with the keypad features. Applications requiring two door control or alarm and door monitoring functions require the Storm AXS StrikeMaster DE Keypads.

Specified for use with these Storm AXS products: DEPS030, DEL600, DEL1200, DEGL1200, DEEM010, DEEX010



Scan code for a programming guide and detailed installation instructions or download the datasheet from:  
<http://www.storm-interface.com/downloads/?dcat+Technical Documents>



### Part Numbers

#### AXS-DR2/DR2i

- AXS-DR2 Access Control Keypad
- AXS-DR2i Illuminated Access Control Keypad

#### Accessories

- DR2KT20 PIN Privacy Shield
- DR2KW20 Shield
- 1KF5020



Whilst every effort is made to ensure details are correct at time of print, specifications are subject to change without notice.

Designed & produced by NIK Design  
 nik@nikdesign.co.uk

Storm Interface products include technology protected by international patents and design registration. All rights reserved.

Storm is a trademark of Keymat Technology Ltd  
 Storm Interface is a trading name of Keymat Technology Ltd



AXS-DR2 Nov 2020

FM 39602

For more information & to order:  
[www.storm-interface.com](http://www.storm-interface.com)



## X-ON Electronics

Largest Supplier of Electrical and Electronic Components

*Click to view similar products for [Input Devices](#) category:*

*Click to view products by [Storm Interface](#) manufacturer:*

Other Similar products are found below :

[80260-00](#) [81485-28](#) [81521-08](#) [FKB4720-103](#) [84250-26](#) [84980-04](#) [84S-AC1-000](#) [JD-0700EU-2](#) [JM-0800-2](#) [JW-T0100](#) [89498-13](#) [89758-05](#)  
[89886-26](#) [89941-00](#) [G80-3000LSCEU-2](#) [MJ0FGGRY](#) [JM-0800-0](#) [84S-BB1-004](#) [81601-26](#) [UL21KMZQ](#) [G8011900LPMUS0](#) [G84-](#)  
[4700LUCUS-0](#) [81485-26](#) [84105-13](#) [V400-W24 5M](#) [V400-W23 5M](#) [G84-5200LCMEU-2](#) [DT2257X20V00GRY](#) [84Z2029-78](#) [84Z2029-79](#)  
[V400-W23P 5M](#) [VW3A8151R20U](#) [V400-W24 15M](#) [LT1332D](#) [V400-W24 10M](#) [V400-W24P 15M](#) [V400-WM0 1M](#) [V400-W24P 10M](#) [V400-](#)  
[W23P 10M](#) [TCS-1492OP](#) [V400-W23 3M](#) [LT1372D](#) [LP1007EXXH00R](#) [DT2253X20V00BLK](#) [100133BX](#) [EZ08-230013](#) [81248-04](#) [89887-26](#)  
[90215-00](#) [HB110C3NWBNA](#)