

Accessories & Sockets

Industrial 12 & 14 Pin Socket



E13224



IND. CONT. EQ.
225G

These industrial style sockets offer front-connected wiring on one level with screw terminals accessible and numbered for ease in installation, wiring and checkout. Sockets are polarized. The mating relay has a din rail locking clip that snaps into the socket, eliminating any need for external holding devices.

GENERAL SPECIFICATIONS (@ 25° C)

Construction:

Protection category (finger safe)	IP20 IEC (D Series)
Internal metal tracks	Copper alloy, zinc plated
Screws terminals	Steel, zinc plated
Screw style and size	Combination Head - M3.5 X 0.06 x 6.35MM
Screw terminals torque maximum	9 lb-in, 1.01 Nm

Electrical Rating

Nominal voltage rating	600V
Nominal current rating	10 Amp

Temperature:

Operating	-40°C to 80°C
-----------	---------------

Dielectric Strength:

Output to adjacent output terminals	2000V rms
Output to input terminals	2000V rms
Terminals to rail chassis	2000V rms

Miscellaneous:

Chassis mount screw torque	8- 10lb, .90 Nm
Flammability rating	94V-0
Wire size	20 -12 AWG, 0.5 - 3mm ²
Body color	Light grey
DIN locking clip color	Red (27390D, 33377D)



27390D



33377D



27390



33377

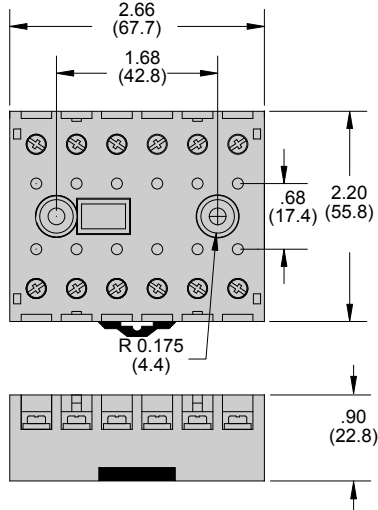
Accessories & Sockets

Industrial 12 & 14 Pin Socket

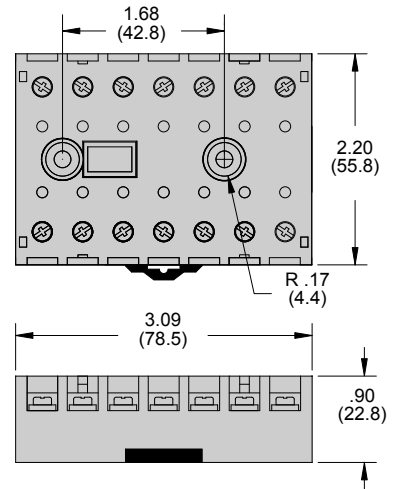
Outline Dimensions

Dimensions Shown in inches & (millimeters)

12 Pin Socket - 27390D



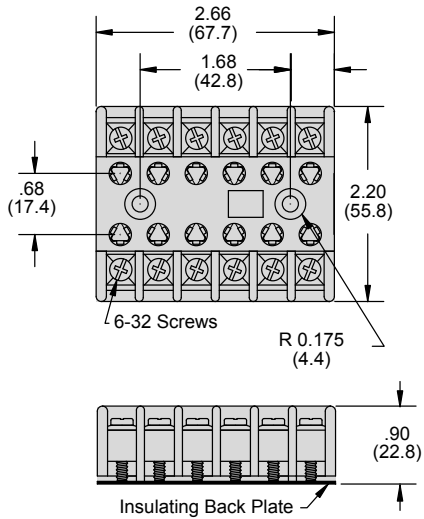
14 Pin Socket - 33377D



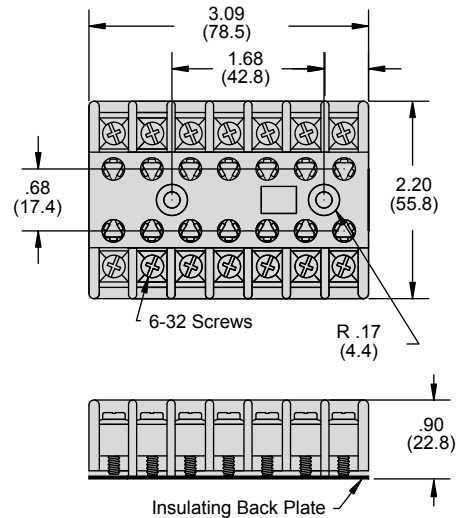
Outline Dimensions

Dimensions Shown in inches & (millimeters)

12 Pin Socket - 27390



14 Pin Socket - 33377



27390 & 33377 Socket Part Number Chart

Part Numbers	Style	Weight (Grams)
27390	12 Pin panel mount socket with removable screws	102
33377	14 Pin socket	120

27390D & 33377D Socket Part Number Chart

Part Numbers	Style	Weight (Grams)
27390D	12 Pin socket DIN / panel mount, with fingersafe non-removable screw terminals and clamping plates	102
33377D	14 Pin socket DIN / panel mount, with fingersafe non-removable screw terminals and clamping plates	129

X-ON Electronics

Largest Supplier of Electrical and Electronic Components

Click to view similar products for [Screwdrivers, Nut Drivers & Socket Drivers](#) category:

Click to view products by [Struthers-Dunn](#) manufacturer:

Other Similar products are found below :

[1406504-2](#) [272012M](#) [271001M](#) [HMM-HH](#) [WUVT-1-120AC-P](#) [9918560000](#) [32024](#) [XW4Z-00B](#) [49-22-4073](#) [92270](#) [72820](#) [72905](#) [72741](#)
[32061](#) [30751](#) [KLEIN TOOLS SCREWDRIVER 4-IN-1](#) [612020B](#) [35-045](#) [6951](#) [83](#) [9977](#) [EMF](#) [PTE6](#) [PTM6](#) [PTX6](#) [99833](#) [S3166V](#) [X103V](#)
[XTD10TP](#) [SF-BIT-SL 0 45X2 4-70](#) [HS7N](#) [HS618N](#) [LN25MMN](#) [XST1010N](#) [P4N](#) [P12SN](#) [R5324N](#) [99764N](#) [P8N](#) [99312N](#) [R3163N](#)
[SX101N](#) [LN22N](#) [XTD10N](#) [9955MMN](#) [995MMN](#) [996MMN](#) [LN25N](#) [THS9N](#) [R3166N](#)