

PM Series - Open Style Power Relay

4PDT, 35 Amp



The PM Series relays offer 4 double throw poles (4PDT) for up to 35 amp at 277 VAC or 20 amps at 28Vdc. Product also is capable of 10 amps tungsten switching. Screw terminals (8-32) are standard but .250" quick connects are also available.

GENERAL SPECIFICATIONS (@ 25° C)

Contacts:

Contact Configuration	4PDT
Contact Material	Silver Alloy
Contact Rating	
120 / 240VAC Resistive	35 Amp
28VDC Resistive	20 Amp
Motor 240VAC 1 Phase	1.5Hp
Contact Resistance, Initial	100 milliohms max @ 6VDC

Coil:

Coils Available	AC and DC
Nominal Coil Power	14VA 4.4W
Input Voltage Tolerance - AC	85% to 110% of nominal
Input Voltage Tolerance - DC	80% to 110% of nominal
Drop-out voltage	10% of nominal
Duty	Continuous

Timing:

Operate Time (max)	40ms
Release Time (max)	30ms

Dielectric Strength:

Across Open Contacts	1500 VRMS
Between Mutually Insulated Points	2200 VRMS
Insulation Resistance	1000 megohms @ 500VAC

Temperature:

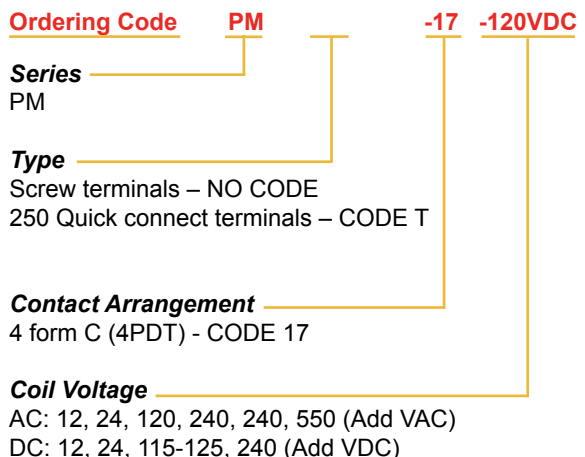
Operating	-34 to 74°C (-30 to 165°F)
Storage	-40 to 105°C (-40 to 221°F)

Life Expectancy:

Electrical (full load operations)	100,000
Mechanical (no load operations)	2,000,000

Miscellaneous:

Mounting Position	Any
Enclosure	Optional - 35D203
Weight	14.9oz (379 grams)



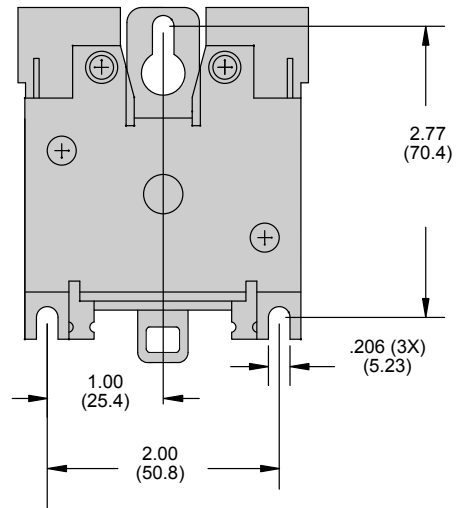
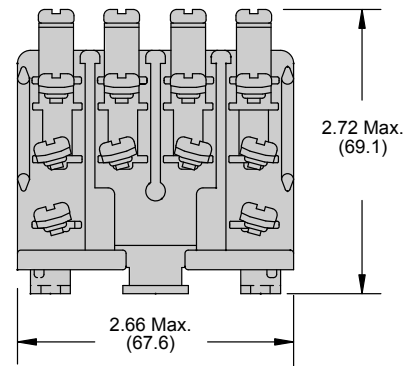
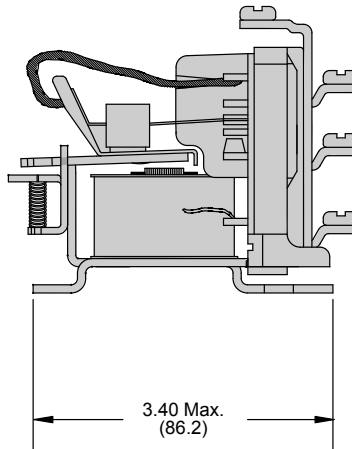
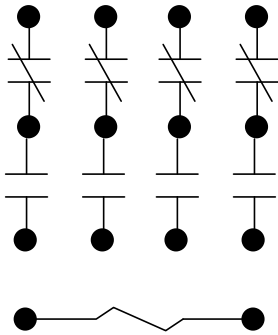
Power Relays

30 - 300 Amp

Outline Dimensions

Dimensions Shown in inches & (millimeters)

PM Wire Diagram



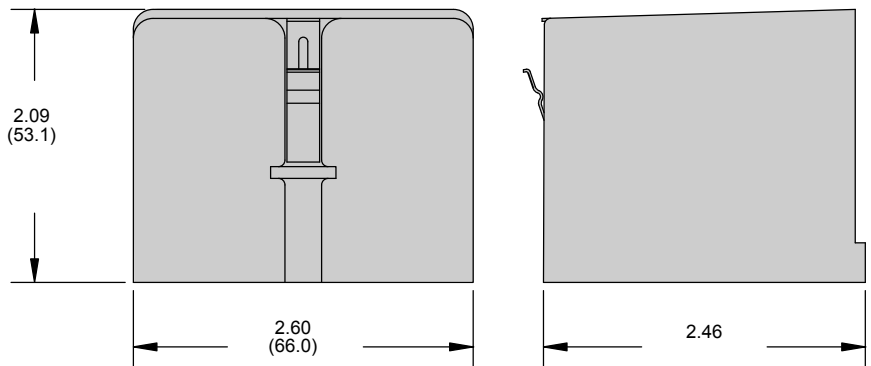
Dust Cover Optional
Part Number - 35D203



Outline Dimensions

Dimensions Shown in inches & (millimeters)

PM Dust Cover



X-ON Electronics

Largest Supplier of Electrical and Electronic Components

Click to view similar products for [Struthers-Dunn](#) manufacturer:

Other Similar products are found below :

[A311XBXP-12D](#) [B255XCXP69-125D](#) [219ABA148-125D](#) [219BBX69PL-24VDC](#) [219BBXP-33D](#) [219BBXP-6VAC](#) [219DXBP-12D](#)
[219DXBP69-120A](#) [219DXBPL-24D](#) [219XBXP-24VAC](#) [219XBXPV-24D](#) [219XDXPM-24A](#) [235ACX-11](#) [88UKDX-45](#) [246ABAPL-180-](#)
[120A](#) [255XCXP-115/125VDC](#) [286XCXC-010-24A](#) [286XCXC-060-24D](#) [175KXX-115D](#) [FC-215-506](#) [219ABAP-32D](#) [219BBXPLM33-](#)
[120VAC](#) [219DXBPL-24VDC](#) [255BXPBPL-120A](#) [286XCXC-060-120VAC](#) [425XCX-480A](#) [B101XXH-24D](#) [B255ABXP-240A](#) [B255BXP-](#)
[24A](#) [41-002-120A](#) [W131MPCX-8](#) [W235ACX-2](#) [W388ACQSOX-1](#) [W388CPSRX-36](#) [W88ALX-3](#) [W88ALX-5](#) [W88CPX-21](#) [W88CSX-45](#)
[W88DX-2](#) [W88DX-3](#) [W88KDX-2](#) [W88X-12](#) [W88X-15](#) [W88X-9](#) [MRR1CDL-12D](#) [RR2AM116-24VDC](#) [575KXX74-24A](#) [PM-17DY-12](#)
[W88X-16](#) [W88ANCPX-1](#)