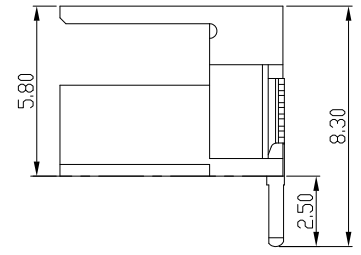
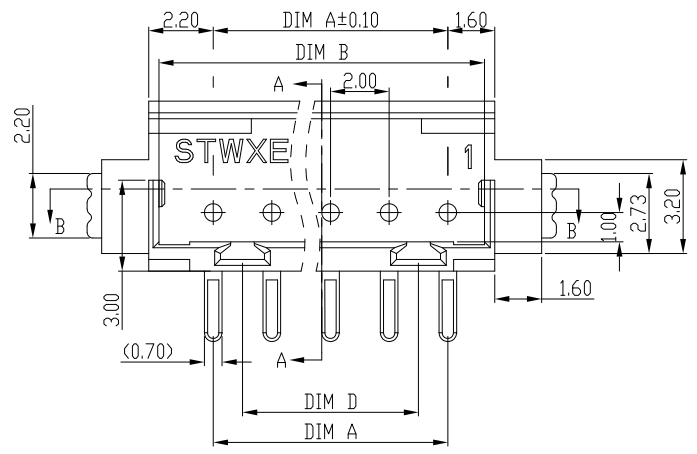


REV.	ECN Number	Description	Drawn
1	CS16110014	RELEASE	2016/11/04
2	E17030016	MODIFY	2017/03/17
③	E17080011	ADD 4PIN DRAWING;STRUCTURAL CHANGE	2018/12/05



Specifications
 Current Rating: 2Amp
 Insulation Resistance: 1000MΩ
 Dielectric Withstanding: 1000V AC
 Contact Resistance: 20mΩ Max
 Operating Temperature: -40° C to +105° C

Materials
 Contact Material: Brass
 Insulation Material: Thermoplastic, UL 94V-0
 Harmful material should comply with the "RoHS2.0" standard
 Product Number Matrix:

AL5Y-XX V K-F

PIN NO.
 eg:02=2pin

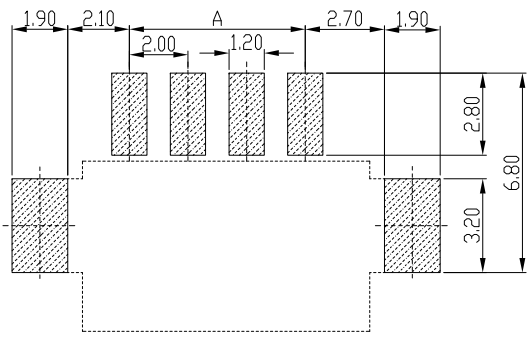
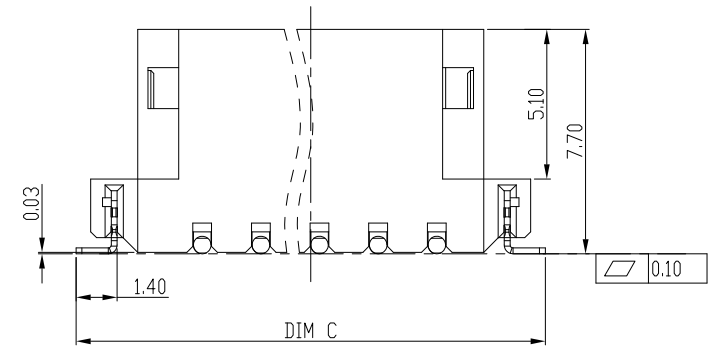
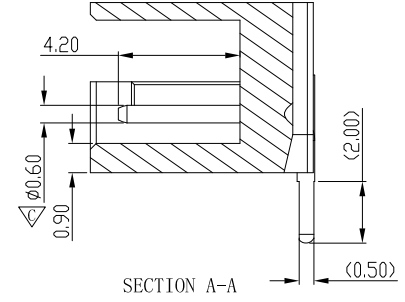
CONTACT PLATING

Definition	Code
⊙ Matte Tin plated	A
⊙ Bright Tin plated	V
⊙ Gold plated	
flash B 1u" R 3u" C	
5u" D 10u" E 15u" F	
20u" G 25u" H 30u" J	
⊙ Duplex plated	
flash K 1u" S 3u" L	
5u" M 10u" N 15u" P	
20u" Q 25u" T 30u" U	
⊙ All plated is lead free.	

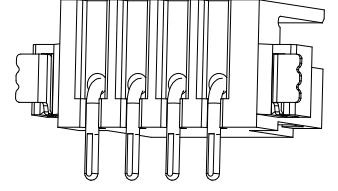
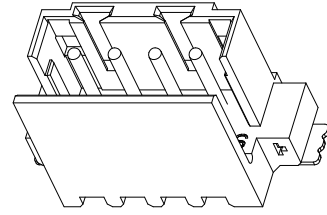
— NULL:THERMOPLASTIC PLASTIC
 F:HIGH TEMPERATURE PLASTIC
 H:HALOGEN FREE PLASTIC

PACKING

A:PE	C:REEL+MYLAR
J:BOX	B:REEL+MPAD
G:TUBE	R:REEL+PAD
P:TUBE+PAD	T:TRAY
E:TUBE+MPAD	N:TRAY+MYLAR
F:TUBE+MYLAR	D:TRAY+MPAD
K:REEL	M:TRAY+PAD



RECOMMENDED PCB LAYOUT
 PCB TOLERANCE ±0.05



CKT	DIM A	DIM B	DIM C	DIM D
2	2.00	5.00	10.00	/
3	4.00	7.00	12.00	/
4	6.00	9.00	14.00	4.00
5	8.00	11.00	16.00	6.00
6	10.00	13.00	18.00	8.00
7	12.00	15.00	20.00	10.00
8	14.00	17.00	22.00	12.00
9	16.00	19.00	24.00	14.00
10	18.00	21.00	26.00	16.00

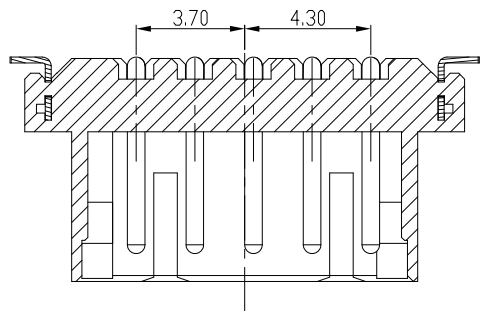


TOLERANCE UNLESS OTHERWISE SPECIFIED			
X.X	±0.30	X.°	±3°
X.XX	±0.20	X.X°	±2°
X.XXX		X.XX°	±1°

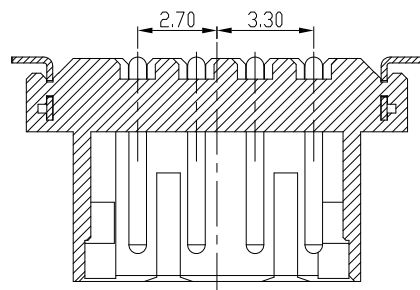
SCALE	4:1	ORIGINAL DRAWN:	ZW	DATE	2018/12/05
UNIT	mm	CHECK:	XPG	DATE	2018/12/05
SIZE	A4	APPROVE:	Ady zhou	DATE	2018/12/05

DWG. NO.	600-0000-0161
PARTS NO. (INTENDED USE)	AL5Y-XXVK-F

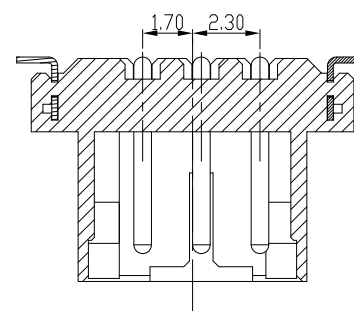
TITLE	CUSTOMER DRAWING 2. OOPH, WAFER	REV.	3
		SHEET	1/2



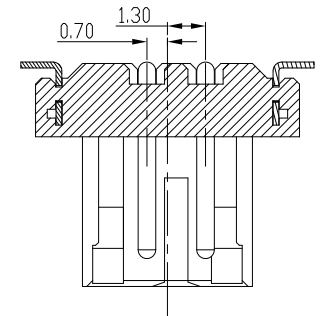
SECTION B-B
5 PIN



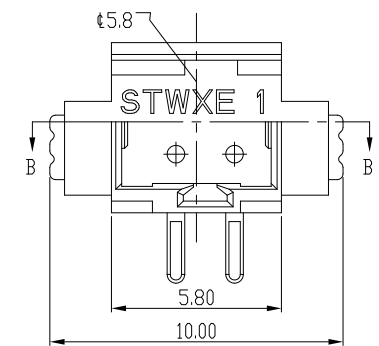
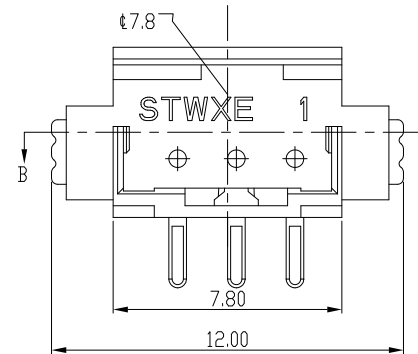
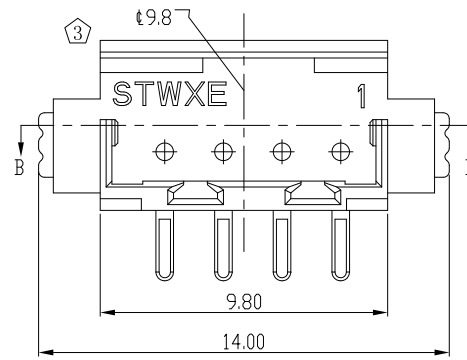
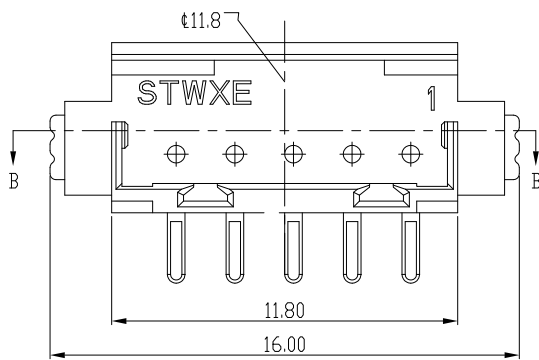
SECTION B-B
4 PIN



SECTION B-B
3 PIN



SECTION B-B
2 PIN



ShenZhen ShenTai weixiang Electroncs Co.,Ltd

TOLERANCE UNLESS OTHERWISE SPECIFIED

X. X	± 0.30	X. °	± 3°
X. XX	± 0.20	X. X°	± 2°
X. XXX		X. XX°	± 1°

SCALE

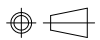
4:1

UNIT

mm

SIZE

A4



ORIGINAL DRAWN:
ZW

CHECK:
XPG

APPROVE:
Ady zhou

DATE
2018/12/05

DATE
2018/12/05

DATE
2018/12/05

DWG. NO.

600-0000-0161

PARTS NO. (INTENDED USE)

AL5Y-XXVK-F

TITLE

CUSTOMER DRAWING
2. OOPH, WAFER

REV.

3

SHEET

2/2

X-ON Electronics

Largest Supplier of Electrical and Electronic Components

Click to view similar products for [Headers & Wire Housings](#) category:

Click to view products by [STWXE](#) manufacturer:

Other Similar products are found below :

[95000-104TRLF](#) [10135584-644402LF](#) [DF62W-EP2022PCA](#) [95000-106TRLF](#) [DF62W-2022SCA](#) [DF62W-EP2022PC](#) [2203348](#) [DF62W-2022SC](#) [1084018](#) [1029039](#) [1084017](#) [802-10-012-10-002000](#) [1112640](#) [1112639](#) [891-007-9SS-BST1T](#) [000-34000](#) [0008550134](#) [0009482033](#) [0009507031](#) [57102-F02-18ULF](#) [57102-S06-03LF](#) [57202-S52-04LF](#) [PCN6-15S-2.5E](#) [0039019024](#) [58102-G61-06LF](#) [582553-1](#) [0009485154](#) [0009508121](#) [0022285053](#) [0050291907](#) [018731A](#) [LY20-4P-DT1-P1E-BR](#) [02.125.8002.8](#) [60101931](#) [60598-1 \(Cut Strip\)](#) [M1625-3R/100](#) [61062-3](#) [61082-181009](#) [CSU011177004](#) [636-1427](#) [638009-1](#) [641938-9](#) [641991-4](#) [644168-1](#) [644827-2](#) [647662-1](#) [65039-019ELF](#) [65692-001LF](#) [65781-018](#) [65781-047](#)