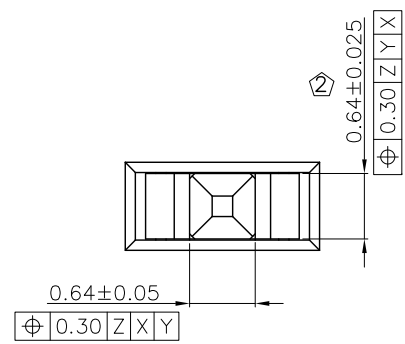
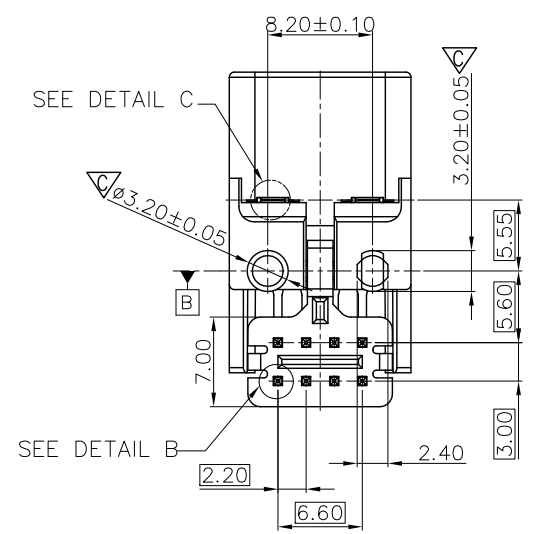
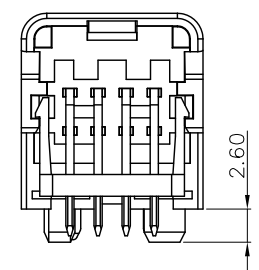
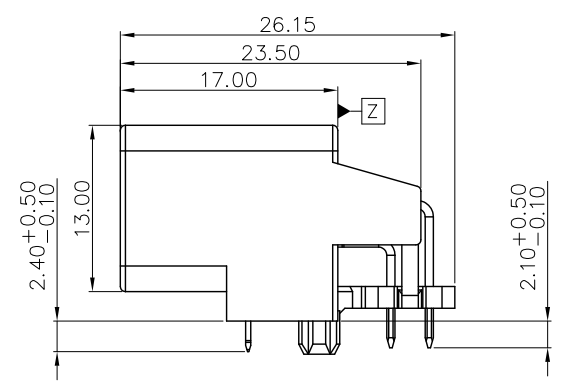
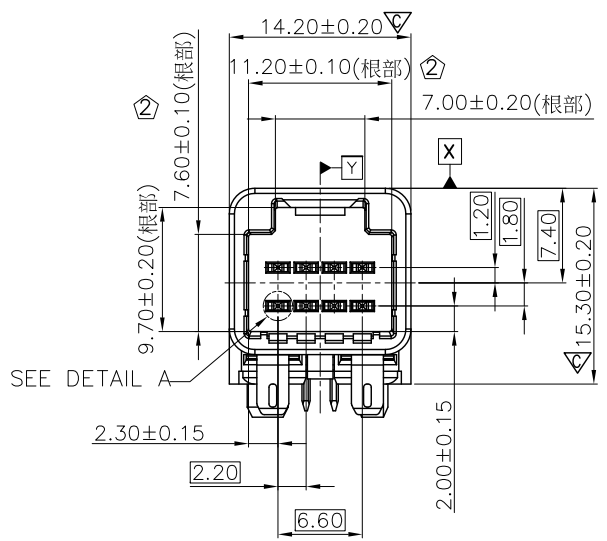
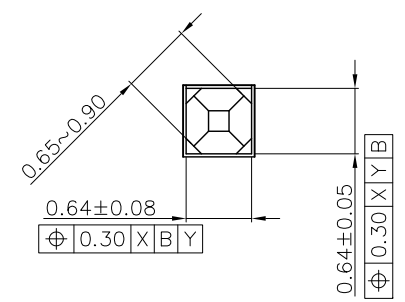


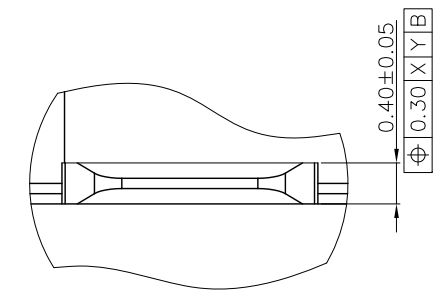
REV.	ECN Number	Description	Drawn
1	CS17030130	RELEASE	XPG_2017/04/17
②	E18050028	MODIFY DIM. TOLERANCE	XPG_2018/05/24
③	E18060001	INCREASE PART NO.	XPG_2018/06/01
④	E18070040	ADD VACUUM PACKING	XPG_2018/08/02



DETAIL A
SCALE 8: 1



DETAIL B
SCALE 8: 1

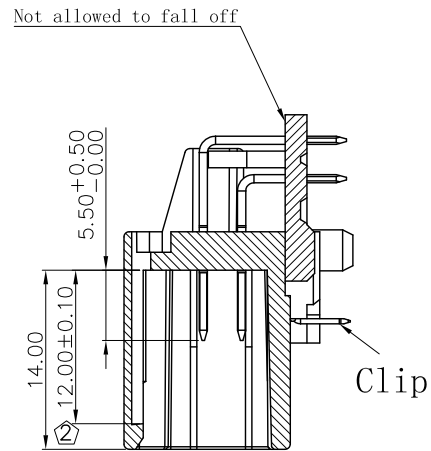
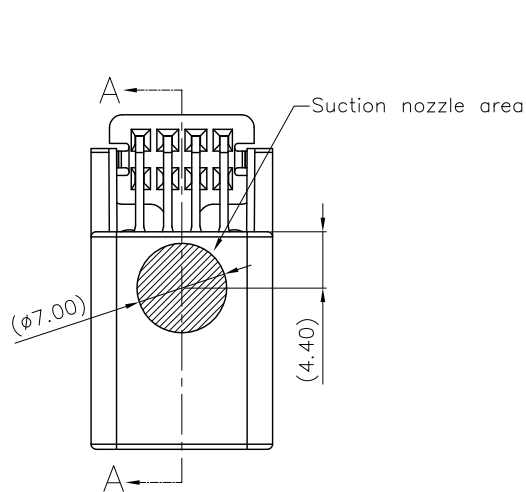


DETAIL C
SCALE 8: 1



ShenZhen ShenTai weixiang Electronics Co., Ltd.

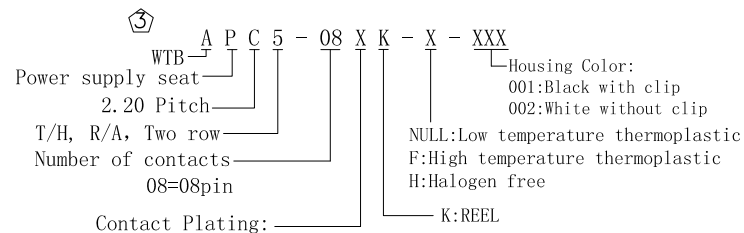
TOLERANCE UNLESS OTHERWISE SPECIFIED				SCALE	1:1	ORIGINAL DRAWN:	DATE	DWG NO.	TITLE	REV.
X.X	±0.30	X.°	±3°	UNIT	mm	Xu peiguang	2018.08.02	600-0000-0202	PH2.2-8PIN R/A CONNECTOR CUSTOMER DRAWING	4
X.XX	±0.20	X.X°	±2°	SIZE	A4	Xie yong	2018.08.02	PARTS NO. (INTENDED USE)		SHEET
X.XXX		X.XX°	±1°			Ady zhou	2018.08.02	APC5-08XK-X-XXX		1/5



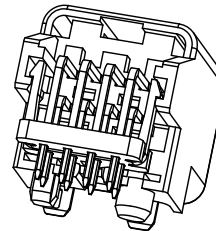
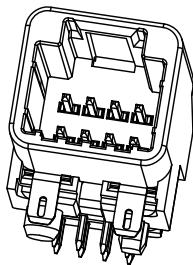
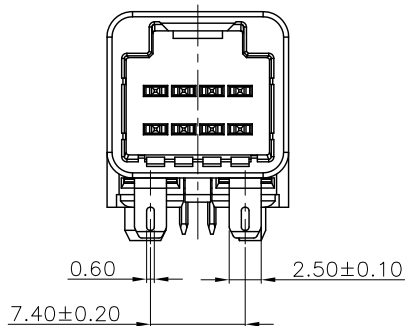
SECTION A-A

NOTES:

1. HOUSING MATERIAL:HIGH TEMPERATURE PLASTICS,UL94V-0.
2. CONTACT MATERIAL:COPPER ALLOY.
3. OPERATING TEMPERATURE RANGE: $-40^{\circ}\text{C}\sim+105^{\circ}\text{C}$.
4. STORAGE TEMPERATURE RANGE: $-40^{\circ}\text{C}\sim+105^{\circ}\text{C}$.
5. MINIMUM SOLDER STENCIL THICKNESS IS 0.12mm .
6. "▽"SIZE FOR CPK;
7. PRODUCT NUMBER MATRIX:



Definition		Code	
⊙ Matte Tin plated		A	
⊙ Gold plated over all			
Flash	B 1u" R 3u" C		
	5u" D 10u" E 15u" F		
	20u" G 25u" H 30u" J		



ShenZhen ShenTai weixiang Electronics Co., Ltd.

TOLERANCE UNLESS OTHERWISE SPECIFIED

X.X	±0.30	X.°	±3°
X.XX	±0.20	X.X°	±2°
X.XXX		X.XX°	±1°

SCALE	1:1
UNIT	mm
SIZE	A4

ORIGINAL DRAWN:
Xu peiguang

CHECK:
Xie yong

APPROVE:
Ady zhou

DATE 2018.08.02

DATE 2018.08.02

DATE 2018.08.02

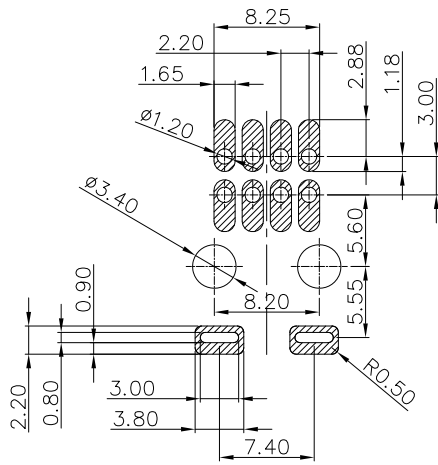
DWG NO. 600-0000-0202

PARTS NO. (INTENDED USE)
APC5-08XK-X-XXX

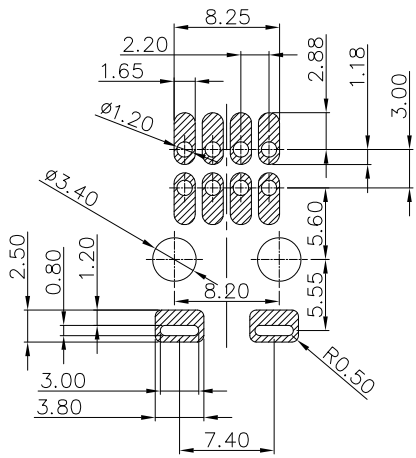
TITLE
PH2. 2-8PIN R/A CONNECTOR
CUSTOMER DRAWING

REV. 4

SHEET 2/5

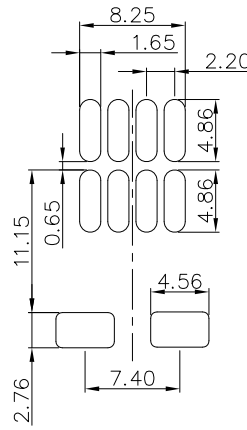


RECOMMENDED PCB LAYOUT (TOP SIDE)
TOLERANCE ± 0.05

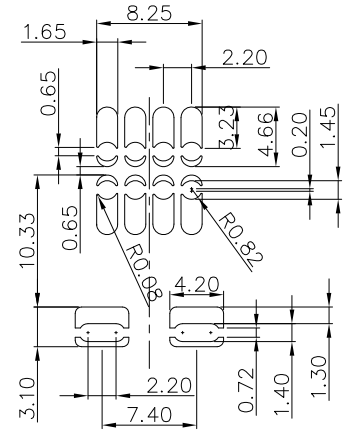


RECOMMENDED PCB LAYOUT (BOTTOM SIDE)
TOLERANCE ± 0.05

PAD AREA



STEEL MESH (TOP SIDE) $T \geq 0.12\text{mm}$



STEEL MESH (BOTTOM SIDE) $T \geq 0.12\text{mm}$

BSTEEL MESH HOLE



ShenZhen ShenTai weixiang Electronics Co., Ltd.

TOLERANCE UNLESS OTHERWISE SPECIFIED

X.X	± 0.30	X.°	$\pm 3^\circ$
X.XX	± 0.20	X.X°	$\pm 2^\circ$
X.XXX		X.XX°	$\pm 1^\circ$

SCALE	1:1
UNIT	mm
SIZE	A4

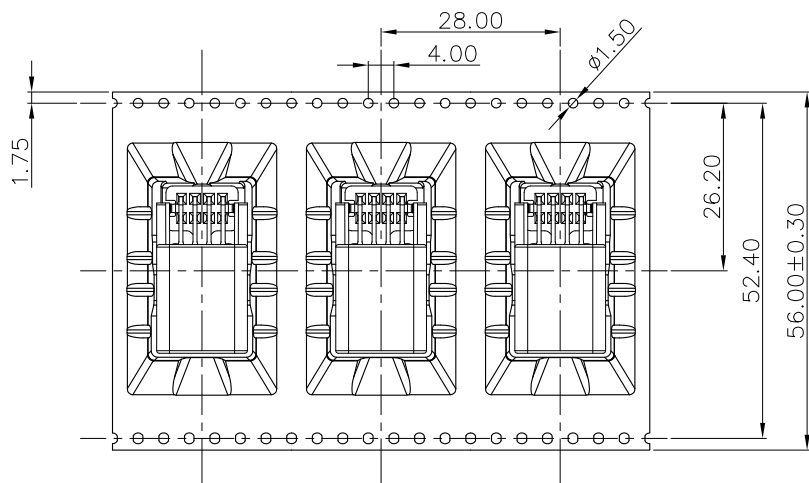
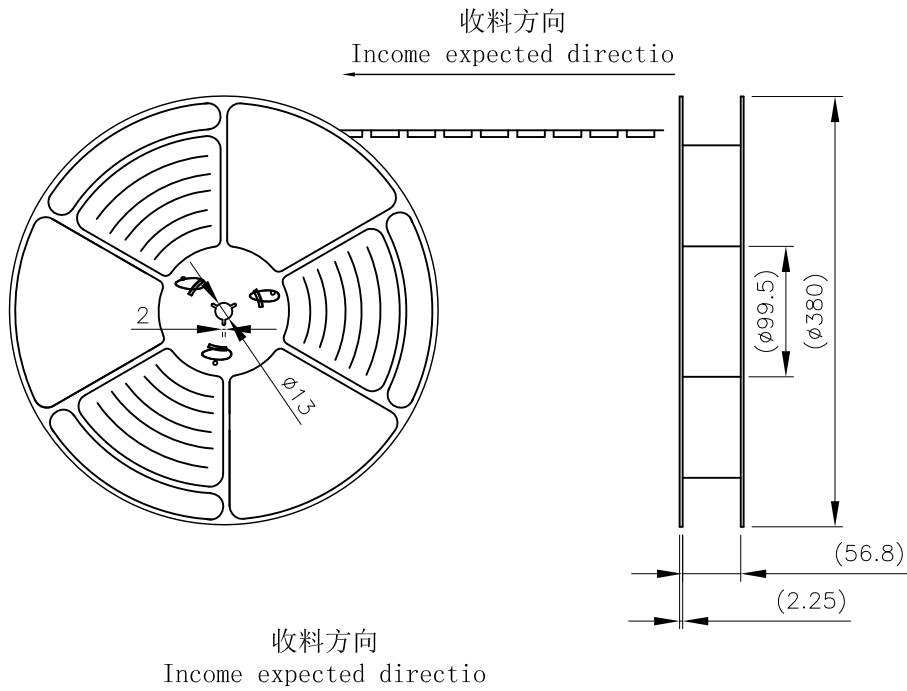
ORIGINAL DRAWN:
Xu peiguang
CHECK:
Xie yong
APPROVE:
Ady zhou

DATE
2018.08.02
DATE
2018.08.02
DATE
2018.08.02

DWG NO.
600-0000-0202
PARTS NO. (INTENDED USE)
APC5-08XK-X-XXX

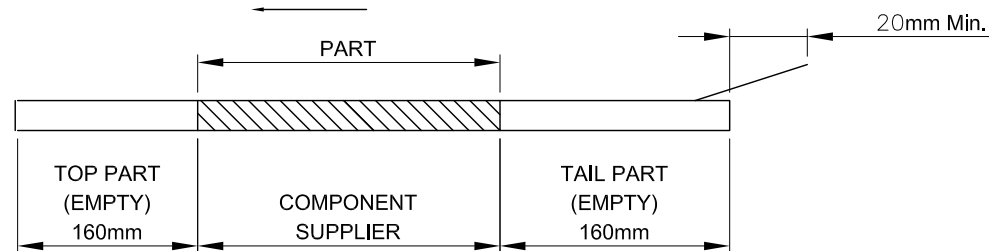
TITLE
PH2. 2-8PIN R/A CONNECTOR
CUSTOMER DRAWING

REV.
4
SHEET
3/5

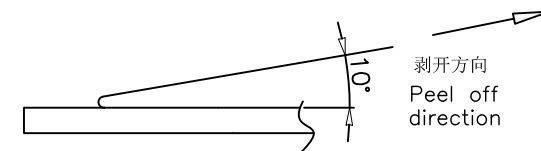


NOTES

- 每卷包装数量及每箱装箱数量如下表格。
Packing q'ty of each reel & carton as below table shown.
- 带子引导长度。
Lead tape length.
收料方向
Income expected direction



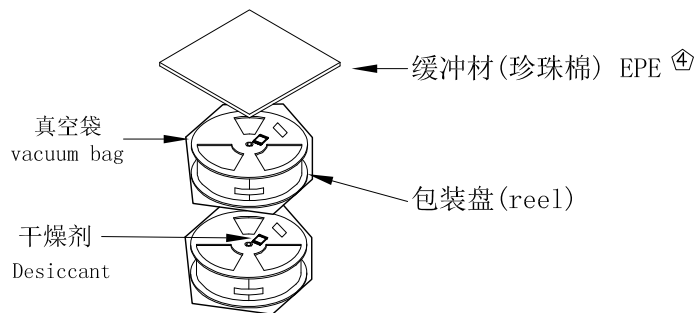
- 上带剥拉力为: 0.1~1.3N(10.2gf~130gf)
Peeling off force of top tape: 0.1~1.3N(10.2gf~130gf)
出货运输过程中一定注意:
This requirement should be applied at shipment:
卷带在运输过程中不能散开
Peeling off should not be allowed during transportation.



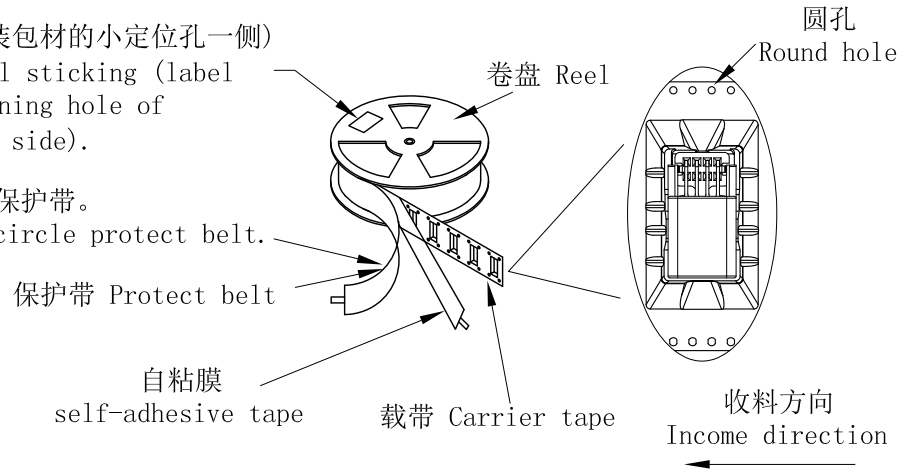
ShenZhen ShenTai weixiang Electronics Co., Ltd.

TOLERANCE UNLESS OTHERWISE SPECIFIED				SCALE	1:1	ORIGINAL DRAWN:	DATE	DWG NO.	TITLE	REV.
X.X	±0.30	X.°	±3°	UNIT	mm	Xu peiguang	2018.08.02	600-0000-0202	PH2. 2-8PIN R/A CONNECTOR CUSTOMER DRAWING	4
X.XX	±0.20	X.X°	±2°	SIZE	A4	Xie yong	2018.08.02	PARTS NO. (INTENDED USE)		SHEET
X.XXX		X.XX°	±1°			Ady zhou	2018.08.02	APC5-08XK-X-XXX		4/5

标签黏贴处(朝卷装包材的小定位孔一侧)
Location of label sticking (label at small positioning hole of the carrier tape side).

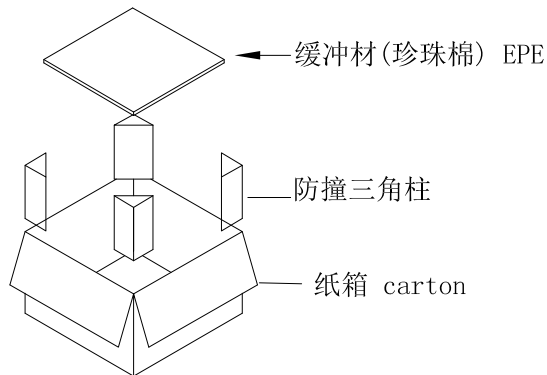


④ 每卷包装盘缠一圈保护带。
Each reel use 1 circle protect belt.



NOTE:

- 每卷包装数量及每箱装箱数量如下表格。
Packing q'ty of each reel & carton as below table shown.
- 把1个卷盘和1个干燥剂装入真空袋抽真空包装。
put 1pc reel and 1pc Desiccant into vacuum bag, and then vacuum packing.
- 以上胶带覆盖下包装带经包装机包装。
Use cover tape to cover and seal up.
- 每个纸箱放2个珍珠棉。
Every carton use 2pcs EPE.
- 将装满产品的卷盘放入纸箱并以胶带封口。
Put reels in the carton and use adhesive tape to seal up.
- ④ 产品拆封后请在168小时内使用完, 否则会有过炉起泡风险。
Please use the product in 168h after the product is opened, otherwise, there will be a risk of bubbling.
- ④ 若无法在168小时内使用完的产品, 需抽真空包装。
If you can't use the product in 168h, need to be vacuum packing.



产品料号 (PRODUCT No.)	包装数量 (PACKING CAPACITY)		
	PCS/REEL	REELS/CARTON	PCS/CARTON
APC5-08XK-X-XXX	150	3	450



ShenZhen ShenTai weixiang Electronics Co., Ltd.

TOLERANCE UNLESS OTHERWISE SPECIFIED			
X.X	±0.30	X.°	±3°
X.XX	±0.20	X.X°	±2°
X.XXX		X.XX°	±1°

SCALE	1:1
UNIT	mm
SIZE	A4

ORIGINAL DRAWN:	Xu peiguang
CHECK:	Xie yong
APPROVE:	Ady zhou

DATE	2018.08.02
DATE	2018.08.02
DATE	2018.08.02

DWG NO.	600-0000-0202
PARTS NO. (INTENDED USE)	APC5-08XK-X-XXX

TITLE	PH2. 2-8PIN R/A CONNECTOR CUSTOMER DRAWING
-------	---

REV.	4
SHEET	5/5

X-ON Electronics

Largest Supplier of Electrical and Electronic Components

Click to view similar products for [DC Power Connectors](#) category:

Click to view products by [STWXE](#) manufacturer:

Other Similar products are found below :

[163-0308-EX](#) [163-4012-EX](#) [163-4117-EX](#) [163-MJ22-EX](#) [171-0721-EX](#) [KLDX-SMT-0202-BPTR](#) [163-0179-EX](#) [163-4015-EX](#) [171-0722-E](#)
[K596](#) [KLD-0201-BC](#) [4C6831AX](#) [LCB60PW-M](#) [LCB30PW-M](#) [LCB60PB-M](#) [LCC30PB-M](#) [LCB50PW-M](#) [LCB50-M](#) [LCB60-F](#) [LCC30-M](#)
[LCB40PW-M](#) [LCC30PW-M](#) [LCB50-F](#) [LCB40-F](#) [LCB30-F](#) [LCC40-M](#) [LCC40PB-M](#) [LCB40PB-M](#) [LCC40-F](#) [LCB60-M](#) [LCC40PW-M](#)
[LCB50PB-M](#) [513820200](#) [DC-S014A-D025-20A](#) [DC007B-2.5-J](#) [DC005-2.5](#) [DC005-2.5-T](#) [DC-S019A-D025-10A](#) [DC007B-2.0](#) [DC-018-](#)
[2.5A-2.5](#) [DC-005-A25](#) [DC-005-A20](#) [DC-002-100](#) [DC-031A-130](#) [DC-031A-100](#) [DC-003A-130](#) [DC-045-130](#) [DC-192-130](#) [DC-033-130](#) [DC-](#)
[011-100](#)