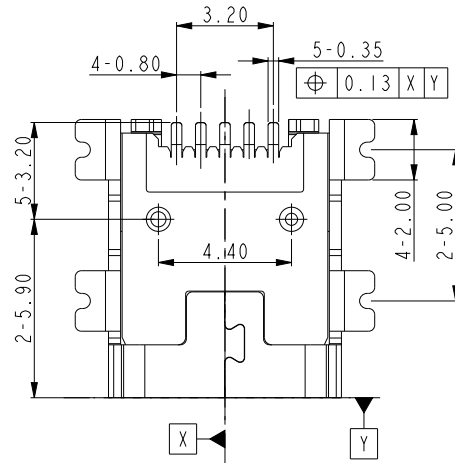
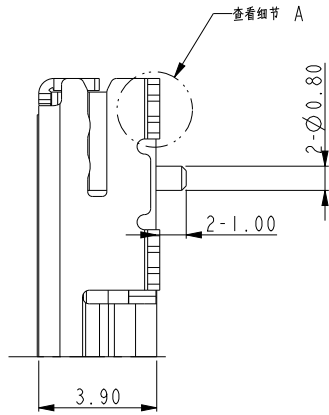
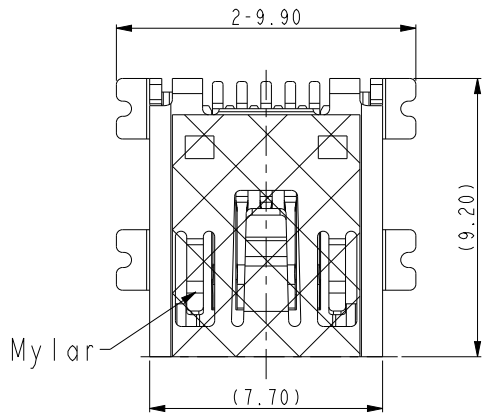


REV.	ECN Number	Description	Drawn
I	CSI7050034	RELEASE	ZL_2017.05.21



Specification:

1. Material:

- 1.1 Housing: High temperature thermoplastic; Color: Black
- 1.2 Contact: Copper alloy, t=0.25mm
- 1.3 Shell: Copper alloy, t=0.40mm

2. Electrical Characteristics

- 2.1 Voltage Current rating: 1AMP. 30VAC
- 2.2 Insulation resistance: 100 MΩ Min DC500V.
- 2.3 Contact resistance: 50 mΩ Max.

3. Mechanical Characteristics:

- 3.1 Matching Cycles: 5000 Cycles.
- 3.2 Total mating force: 3.57 Kgf Max.
- 3.3 Total unmating force: 0.30 Kgf Min.

4. Environmental

- 4.1 Operating Temperature: -25°C~+80°C

5. Product Number Matrix:

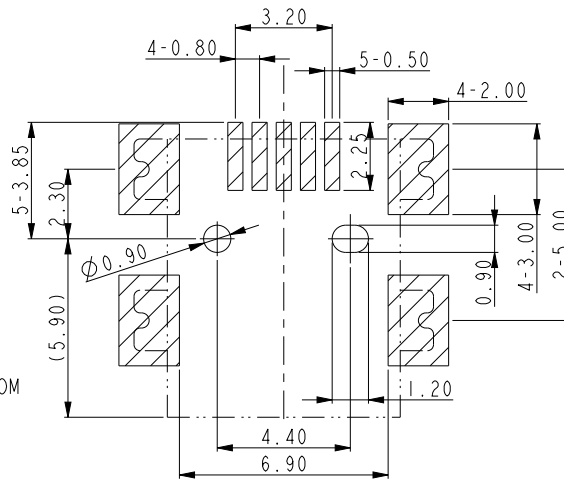
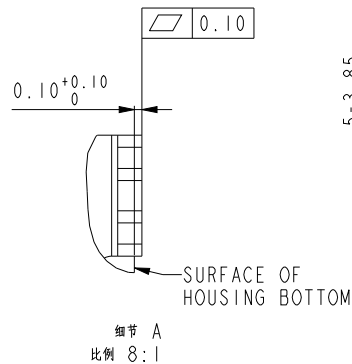
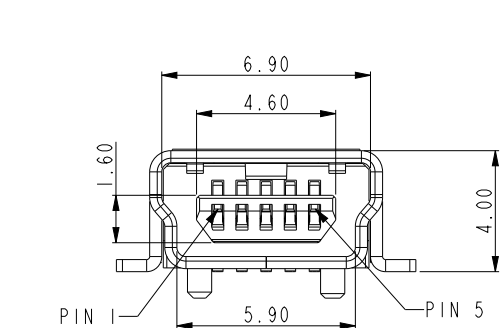
AU63-05XX-X-005

PIN NO. NULL: Thermoplastic  
F: High Temperature Thermoplastic  
H: Halogen Free

ELECTROPLATING CODE:

Definition	Code
⊙ Matte Tin plated	A
⊙ Bright Tin plated	V
⊙ Gold plated	
flash B 1u" R 3u" C	
5u" D 10u" E 15u" F	
20u" G 25u" H 30u" J	
⊙ Duplex plated	
flash K 1u" S 3u" L	
5u" M 10u" N 15u" P	
20u" Q 25u" T 30u" U	
⊙ All plated is lead free.	

A: PE	C: REEL+MYLAR
J: BOX	B: REEL+MPAD
G: TUBE	R: REEL+PAD
P: TUBE+PAD	T: TRAY
E: TUBE+MPAD	N: TRAY+MYLAR
F: TUBE+MYLAR	D: TRAY+MPAD
K: REEL	M: TRAY+PAD



RECOMMENDED PCB LAYOUT  
GENERAL TOLERANCE +/-0.05mm



ShenZhen ShenTai weixiang Electronics Co.,Ltd

TOLERANCE UNLESS OTHERWISE SPECIFIED

X.X	±0.30	X.°	±3°
X.XX	±0.20	X.X°	±2°
X.XXX		X.XX°	±1°

SCALE 4:1

UNIT mm

SIZE A4



ORIGINAL DRAWN: ZL

DATE 05/12/2017

CHECK: Xie Yong

DATE 05/12/2017

APPROVE: Ady zhou

DATE 05/12/2017

DWG. NO.

600-0000-0171

PARTS NO. (INTENDED USE)

AU63-05SC-H-005

TITLE

MINI USB  
CUSTOMER DRAWING

REV.

I

SHEET

1/1

## X-ON Electronics

Largest Supplier of Electrical and Electronic Components

*Click to view similar products for [USB Connectors](#) category:*

*Click to view products by [STWXE](#) manufacturer:*

Other Similar products are found below :

[10033527-N3112MLF](#) [17-210561](#) [GMCB05B11124H1EU](#) [17-200931](#) [65-647-8-BK-BU](#) [690-010-295-484](#) [73725-1191BLF](#) [950](#) [E8144-B01021-L](#) [A-USB A-LP-SMT-C](#) [A-USB B-TOP-C](#) [MUSBA511N5](#) [MUSBB15131](#) [MUSBC111M5](#) [MUSBD11135](#) [217450-1](#) [CA 6 W LD](#) [896-30-004-00-000000](#) [KUSBVX-BS1N-W30](#) [KUSBX-AP-KIT-SCBLK](#) [KUSBX-AS2N-W](#) [KUSBX-SMT2AP1S-W](#) [KUSBX-SMTAS1NBTR](#) [KUSBX-SMTBS1NBTR](#) [30-498-6](#) [SK-60A-2](#) [17-200261](#) [17-210051](#) [1734082-1](#) [FK-37-32SL](#) [30-1574](#) [30-470](#) [30-489](#) [30-541](#) [30-572-3](#) [30-9503](#) [M9177/2-1](#) [MAB 5 S](#) [MIKROE-1451](#) [33UBBR-04SW11R](#) [USBFTV2PEM2G](#) [USBFTVC6ZN](#) [USBFTVSCCG](#) [KUSBX-AS2N-W30](#) [KUSBX-SLAS1N-W](#) [KUSBX-SLAS1N-W30](#) [1-1734084-2](#) [E8110-001-01](#) [MUSBC11135](#) [NK-27-32SL](#)