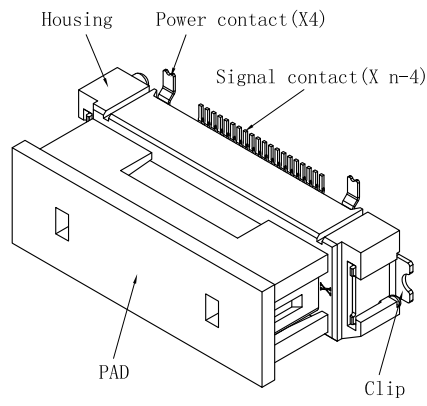
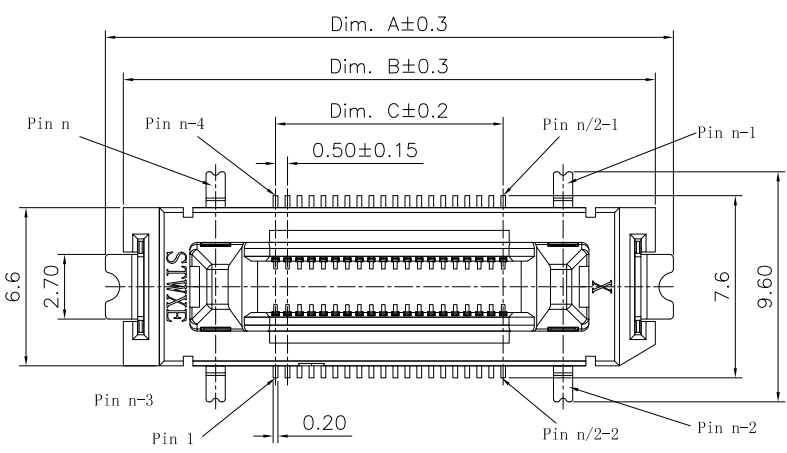


REV.	ECN Number	Description	Drawn
1	CS21040128	RELEASE	Peak_2021.04.28



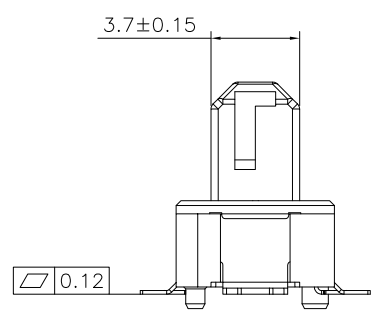
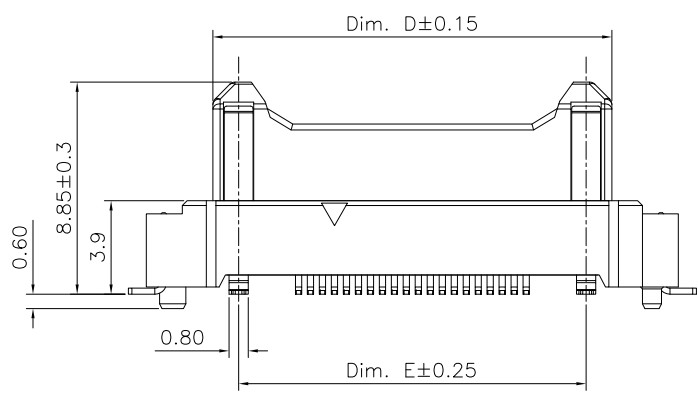
NOTES:  
 1. MATERIAL:  
 HOUSING & PAD : HIGH TEMPERATURE PLASTICS UL94V-0.  
 CONTACT : COPPER ALLOY.  
 CLIP : COPPER ALLOY.  
 2. PRODUCT NUMBER MATRIX:

B A 2 1-XX B T-1 B -X F X

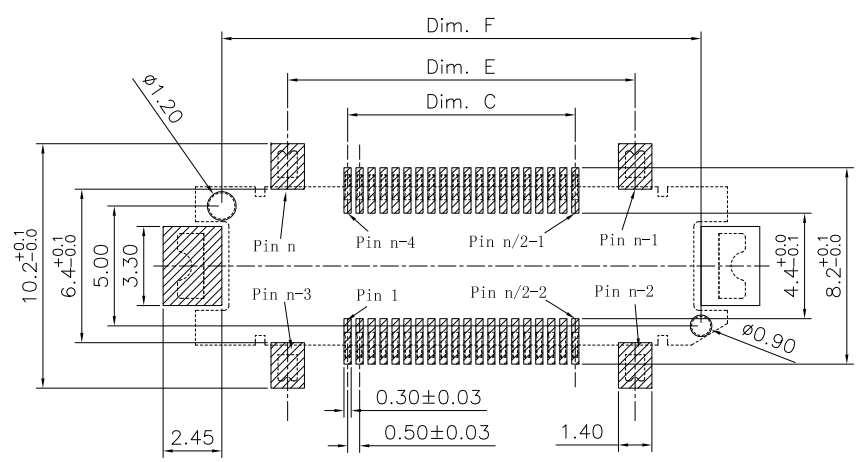
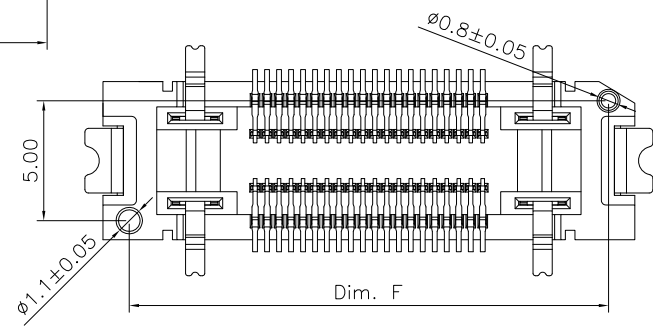
BTB Series Code  
 0.5 Pitch  
 Plug  
 Pin No.  
 24=24Pin 44=44Pin  
 .....  
 A4=104Pin C4=124Pin  
 Height  
 B: H=8.85mm  
 Soldering Type T:SMT  
 Housing Color  
 B:Black

Packing:  
 R:Reel+PAD  
 L:Hot Sealing Reel+PAD  
 F:High Temperature Thermoplastic

Definition	Code
⊙ Gold plated over all	
Flash B	1u" R 3u" C
5u" D	10u" E 15u" F
20u" G	25u" H 30u" J
2u" W	



PIN NO.	DIM. A	DIM. B	DIM. C	DIM. D	DIM. E	DIM. F
24	18.70	17.20	4.50	11.65	9.50	15.00
44	23.70	22.20	9.50	16.65	14.50	20.00
64	28.70	27.20	14.50	21.65	19.50	25.00
84	33.70	32.20	19.50	26.65	24.50	30.00
104	38.70	37.20	24.50	31.65	29.50	35.00
124	43.70	42.20	29.50	36.65	34.50	40.00



RECOMMENDED PCB LAYOUT TOLERANCE ±0.05



TOLERANCE UNLESS OTHERWISE SPECIFIED			
X.X	±0.30	X.°	±3°
X.XX	±0.20	X.X°	±2°
X.XXX	±0.10	X.XX°	±1°

SCALE	1:1
UNIT	mm
SIZE	A4

ORIGINAL DRAWN: Peak  
 CHECK: Xu peiguang  
 APPROVE: Ady Zhou

DATE: 2021.04.28  
 DATE: 2021.04.28  
 DATE: 2021.04.28

DWG. NO. 600-0000-0562  
 PARTS NO. (INTENDED USE) BA21-XXBT-1B-XFX

TITLE 0.5Pitch BTB Plug SMT H8.85mm

REV. 1  
 SHEET 1/1

## X-ON Electronics

Largest Supplier of Electrical and Electronic Components

*Click to view similar products for [Board to Board & Mezzanine Connectors](#) category:*

*Click to view products by [STWXE](#) manufacturer:*

Other Similar products are found below :

[589158040000018](#) [MDF7C-18P-2.54DSA\(55\)](#) [FCN-268F036-G/BD](#) [FCN-268M012-G/0D](#) [FCN-268M024-G/1D](#) [FCN-723J004/1](#) [MIS-048-01-F-D-DP-K](#) [832-10-034-10-001000](#) [FX4C-80S-1.27DSA](#) [93696-330](#) [224393](#) [FCN-235D050-G/C](#) [210-93-314-41-105000](#) [2-22603-0](#) [MDF7-40DP-2.54DSA\(55\)](#) [5031084030](#) [MIT-114-03-F-D-K](#) [55323-1519](#) [45970-4130](#) [YFT-20-05-H-03-SB-K](#) [503308-3040](#) [026-6203-PDB](#) [027-6203-PDB](#) [069159702701000](#) [101A10019X](#) [105061100000861+](#) [55650-0588-C](#) [75140-7012](#) [87471-650](#) [YTW-30-07-H-Q-410-140](#) [YTT-112-01-H-Q](#) [063209](#) [0717420006](#) [FCN-268F024-G0D](#) [10124054-515LF](#) [68685-603](#) [8-1616154-3](#) [MIS-019-01-F-D](#) [IL-WX-10PB-HF-B-E1000E](#) [YFT-50-05-H-10-SB-K](#) [FCN-268M024-G/3D](#) [MDF7-16DP-2.54DSA\(55\)](#) [AXE810124](#) [FCN-214J100-G/0](#) [FCN-230C068-E/S](#) [AXE812124](#) [74220-001](#) [354184](#) [P50-028-DDS-TG](#) [53309-2471](#)