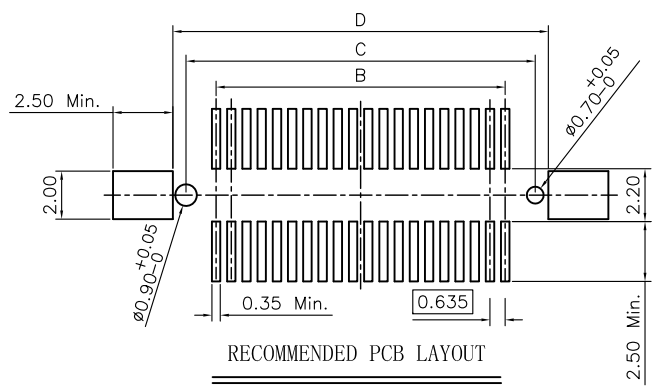
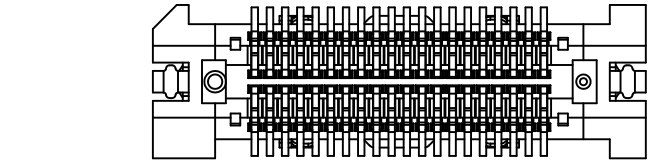
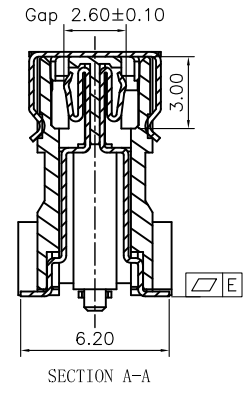
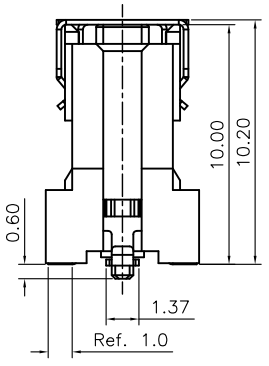
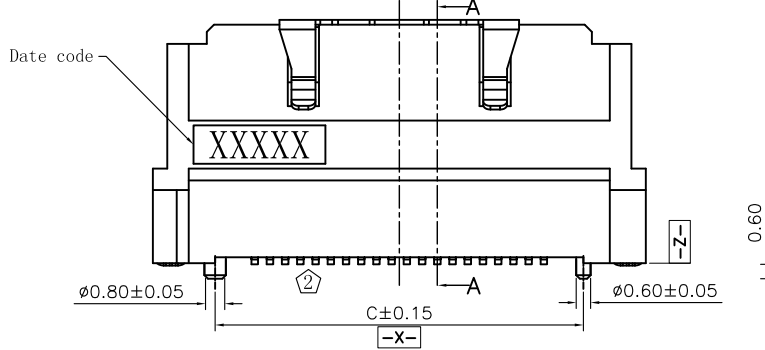
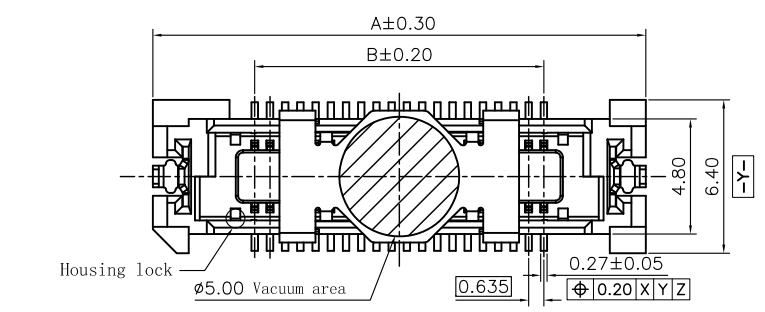


REV.	ECN Number	Description	Drawn
1	CS18040028	RELEASE	XPG_2018.04.18
②	E19070018	Cancel the grille	Peak_2019.07.13



RECOMMENDED PCB LAYOUT
TOLERANCE ± 0.05

NOTES: (UNLESS OTHERWISE SPECIFIED)

- DIMENSION SHALL BE INTERPRETED PER ANSI Y14.5M-1994.
- MATERIAL:

HOUSING MATERIAL: HIGH TEMPERATURE PLASTICS.
CONTACT & CLIP MATERIAL: COPPER ALLOY.
VACUUM COVER MATERIAL: STAINLESS STEEL.

- ELECTRICAL SPECIFICATION:
CONTACT RESISTANCE: 50m ohms Max.
INSULATION RESISTANCE: 1000M ohms Min(250V).
CURRENT RATING: 0.5A.
DIELECTRIC WITHSTANDING VOLTAGE: 250V AC rms./minute

- MECHANICAL SPECIFICATION:
DURABILITY: 50 CYCLES.
INSERTION FORCE: 70gf Max. PER PIN.
WITHDRAWAL FORCE: 12gf Min. PER PIN.

- PRODUCT NUMBER MATRIX:

B A 3 2-40 A T-1 X -X X X

BTB
Series code
0.635 Pitch
Receptacle
PIN No.
40:40PIN

Height
A: H=10.00mm
Soldering Type
T:SMT
1:With Chamfer
Housing Color
Null:Nature
B:Black

Packing:
B:REEL+MPAD
Q:HOT SEALING REEL+MPAD
H:Halogen free
F:High temperature thermoplastic
Contact plating

Definition	Code
◎ Gold plated over all	
Flash B	1u" R 3u" C
5u" D	10u" E 15u" F
20u" G	25u" H 30u" J
◎ Duplex plated	
Flash K	1u" S 3u" L
5u" M	10u" N 15u" P
20u" Q	25u" T 30u" U
◎ All plated is lead free.	

OLD AND PART NO. COMPARISON								
OLD	NEW	CKT	DIM.A	DIM.B	DIM.C	DIM.D	DIM.E	HOUSING LOCK
AB32-40NB-H-001	BA32-40AT-1-NHB	40	20.57	12.065	15.37	16.97	0.10	YES
AB32-40NB-H-001-B	BA32-40AT-1B-NHB							



ShenZhen ShenTai weixiang Electronics Co., Ltd.

TOLERANCE UNLESS OTHERWISE SPECIFIED			
X.X	±0.30	X.°	±3°
X.XX	±0.20	X.X°	±2°
X.XXX		X.XX°	±1°

SCALE	1:1
UNIT	mm
SIZE	A4

ORIGINAL DRAWN: Peak
DATE: 2019.07.13
CHECK: Xu peiguang
DATE: 2019.07.13
APPROVE: Ady zhou
DATE: 2019.07.13

DWG. NO. 600-0000-0363
PARTS NO. (INTENDED USE) BA32-40AT-1X-XXX

TITLE
BA32-40AT
CUSTOMER DRAWING

REV. 2
SHEET 1/1

X-ON Electronics

Largest Supplier of Electrical and Electronic Components

Click to view similar products for [Headers & Wire Housings](#) category:

Click to view products by [STWXE](#) manufacturer:

Other Similar products are found below :

[95000-104TRLF](#) [10135584-644402LF](#) [DF62W-EP2022PCA](#) [95000-106TRLF](#) [DF62W-2022SCA](#) [DF62W-EP2022PC](#) [2203348](#) [DF62W-2022SC](#) [1084018](#) [1029039](#) [1084017](#) [802-10-012-10-002000](#) [1112640](#) [1112639](#) [891-007-9SS-BST1T](#) [000-34000](#) [0008550134](#) [0009482033](#) [0009507031](#) [57102-F02-18ULF](#) [57102-S06-03LF](#) [57202-S52-04LF](#) [PCN6-15S-2.5E](#) [0039019024](#) [58102-G61-06LF](#) [582553-1](#) [0009485154](#) [0009508121](#) [0022285053](#) [0050291907](#) [018731A](#) [LY20-4P-DT1-P1E-BR](#) [02.125.8002.8](#) [60101931](#) [60598-1 \(Cut Strip\)](#) [M1625-3R/100](#) [61062-3](#) [61082-181009](#) [CSU011177004](#) [636-1427](#) [638009-1](#) [641938-9](#) [641991-4](#) [644168-1](#) [644827-2](#) [647662-1](#) [65039-019ELF](#) [65692-001LF](#) [65781-018](#) [65781-047](#)