



Shenzhen Shentai Weifang Electronics Co., Ltd.

TOLERANCE UNLESS OTHERWISE SPECIFIED

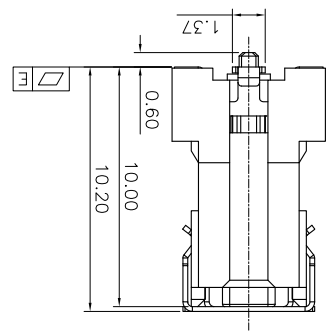
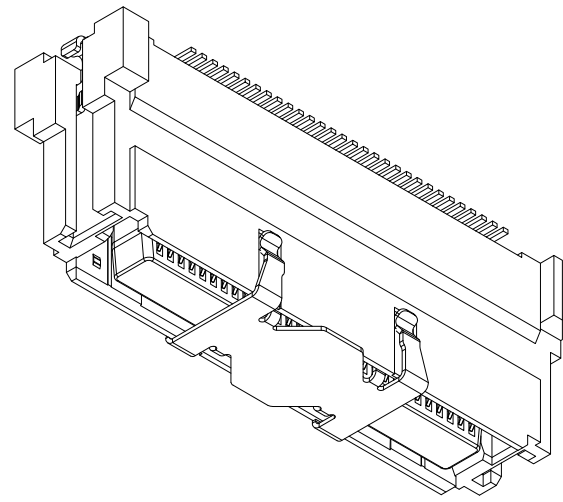
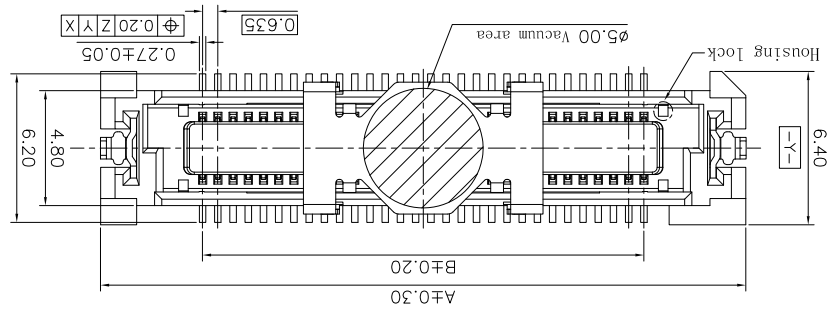
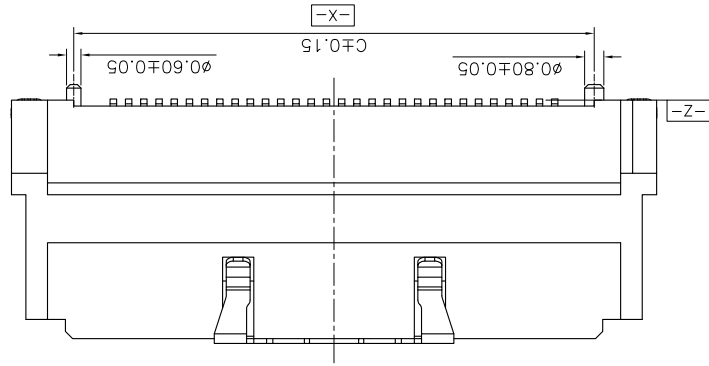
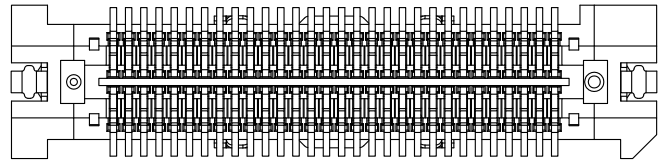
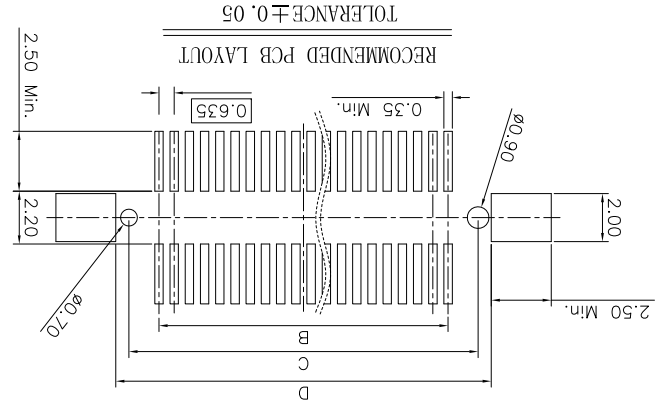
X.X	±0.30	X.°	±3.°
X.XX	±0.20	X.X°	±2.°
X.XXX	±1.°	X.XX°	±1.°

SCALE	1:1
UNIT	mm
SIZE	A4

ORIGINAL DRAWN:	Peak	DATE	2019.06.19
CHECK:	Xu peiguang	DATE	2019.06.19
APPROVE:	Ady zhou	DATE	2019.06.19

DWG. NO.	600-0000-0477
PARTS NO. (INTENDED USE)	BA32-XXAT-1X-XXX

REV.	1
SHEET	1/1
CUSTOMER DRAWING	
BA32-XXAT	



CT	DIM.A	DIM.B	DIM.C	DIM.D	DIM.E	HOUSING LOCK
20	14.22	5.715	9.02	10.62		
30	17.395	8.89	12.195	13.795		
40	20.57	12.065	15.37	16.97		
50	23.745	15.24	18.545	20.145		
60	26.92	18.415	21.72	23.32		
70	30.095	21.59	24.895	26.495		
80	33.27	24.765	28.07	29.67		
90	36.445	27.94	31.245	32.845		
100	39.62	31.115	34.42	36.02		
110	42.795	34.285	37.595	39.195		
120	45.97	37.465	40.77	42.37		
140	52.32	43.815	47.12	48.72		
160	58.67	50.165	53.47	55.07		
200	71.37	62.865	66.17	67.77		

NO	0.10	0.12
20	14.22	14.22
30	17.395	17.395
40	20.57	20.57
50	23.745	23.745
60	26.92	26.92
70	30.095	30.095
80	33.27	33.27
90	36.445	36.445
100	39.62	39.62
110	42.795	42.795
120	45.97	45.97
140	52.32	52.32
160	58.67	58.67
200	71.37	71.37

NOTES: (UNLESS OTHERWISE SPECIFIED)
 1. DIMENSION SHALL BE INTERPRETED PER ANSI Y14.5M-1994.
 2. MATERIAL:
 HOUSING MATERIAL: HIGH TEMPERATURE PLASTICS.
 CONTACT & CLIP MATERIAL: COPPER ALLOY.
 VACUUM COVER MATERIAL: STAINLESS STEEL.
 3. PRODUCT NUMBER MATRIX:
 B A 3 2-XX A T-1 X -X X X
 BTB
 Series code
 Receptacle 0.635 Pitch
 PIN No.
 Height A: H=10.00mm
 Soldering Type T:SMT
 Housing Color Null:Nature
 B:Black
 1:With Chamfer
 Flash K Tu S 3u L
 5u M 10u N 15u P
 20u Q 25u T 30u U
 All plated is lead free.

Definition Code
 Contact plating
 Gold plated over all
 Flash B Tu R 3u C
 5u D 10u E 15u F
 20u G 25u H 30u J
 Duplex plated
 Flash K Tu S 3u L
 5u M 10u N 15u P
 20u Q 25u T 30u U
 All plated is lead free.

Packing:
 B:REEL+MPAD
 Q:HOT SEALING REEL+MPAD
 H:Halogen free
 F:High temperature thermoplastic
 Contact plating

REV.	1	ECN Number	CS19060043
Description	RELEASE		
Drawn	Peak	2018.06.19	

X-ON Electronics

Largest Supplier of Electrical and Electronic Components

Click to view similar products for [Board to Board & Mezzanine Connectors](#) category:

Click to view products by [STWXE](#) manufacturer:

Other Similar products are found below :

[10135583-642402LF](#) [89885-310LF](#) [589158040000018](#) [6-1393048-0](#) [68683-613](#) [MDF7-12DP-2.54DSA](#) [MDF7-18P-2.54DSA\(01\)](#) [MDF7-20DP-2.54DSA](#) [MDF7-26D-2.54DSA\(55\)](#) [MDF7-3P-2.54DSA\(01\)](#) [MDF7B-20P-2.54DSA\(01\)](#) [MDF7B-3P-2.54DSA\(55\)](#) [MDF7C-11P-2.54DSA\(55\)](#) [MDF7C-18P-2.54DSA\(55\)](#) [MDF7C-5P-2.54DSA\(01\)](#) [MDF7P-5P-2.54DSA\(55\)](#) [75234-0516](#) [FCN-230C068-11](#) [FCN-268F012-G/BD](#) [FCN-268F036-G/BD](#) [FCN-268M012-G/0D](#) [FCN-268M024-G/1D](#) [FCN-360C008-C](#) [FCN-360C040-C](#) [FCN-723J004/1](#) [MIS-048-01-F-D-DP-K](#) [832-10-034-10-001000](#) [93696-325LF](#) [11828-1FA](#) [AXK630345P](#) [18097-0013](#) [ICA-328STT](#) [2007042-2](#) [304400-2](#) [FCN-214Q030-G/0](#) [FCN-215Q040-G/0](#) [FCN-230C068-ESA](#) [FCN-234P048-G/0](#) [FCN-235D050-G/C](#) [FCN-360A3](#) [FCN-360C040-B](#) [210-93-314-41-105000](#) [2-22603-0](#) [379-064-521-202](#) [MDF7-12P-2.54DSA\(01\)](#) [MDF7-16P-2.54DS\(56\)](#) [MDF7-40DP-2.54DSA\(55\)](#) [MDF7-8P-2.54DSA\(55\)](#) [MDF7B-16P-2.54DSA\(55\)](#) [AXG720047](#)