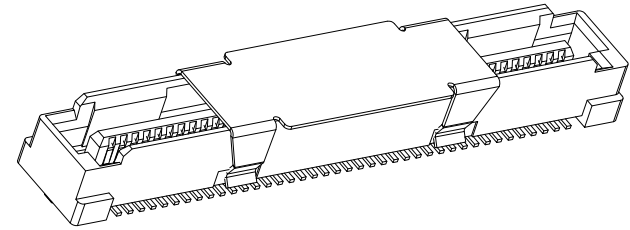
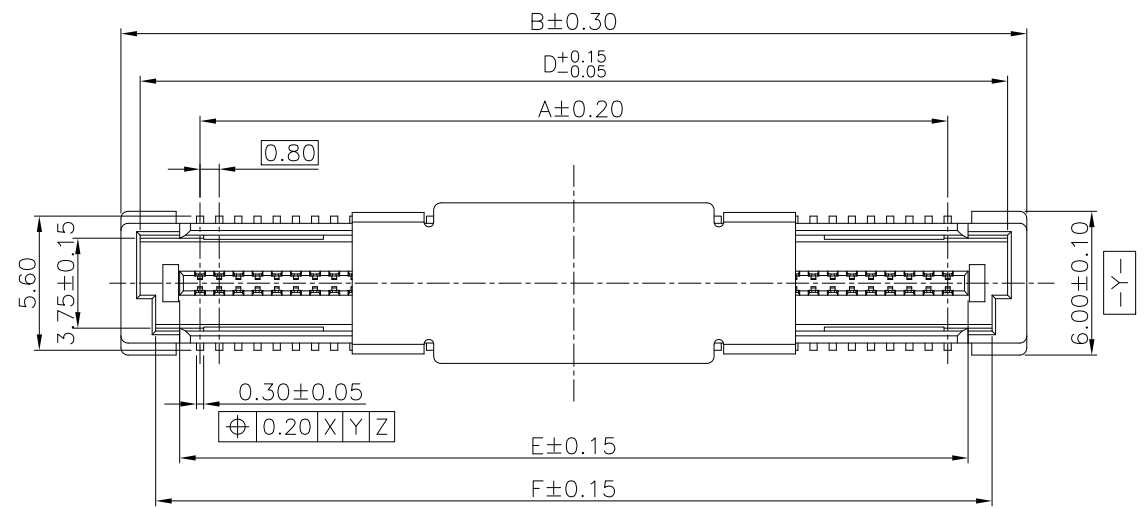
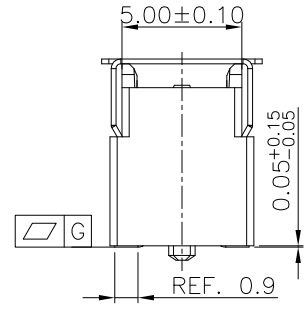
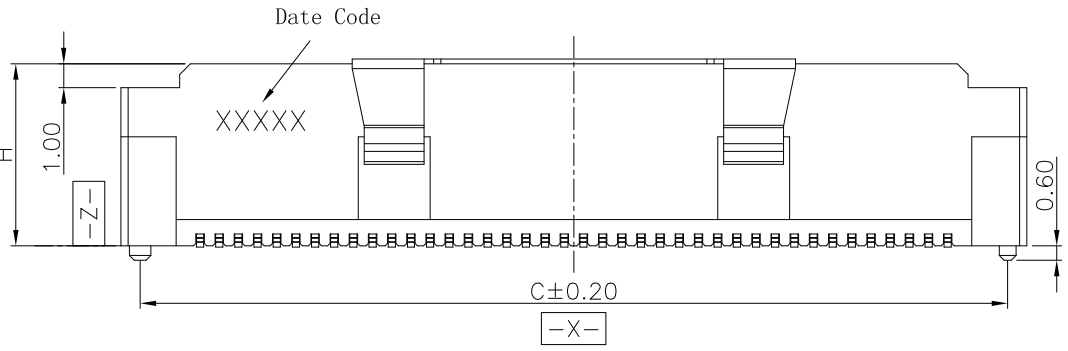


REV.	ECN Number	Description	Drawn
1	CS17100003	RELEASE	XPG_2017.10.10
②	E18030025	CHANGE PART NUMBER	XPG_2018.03.29



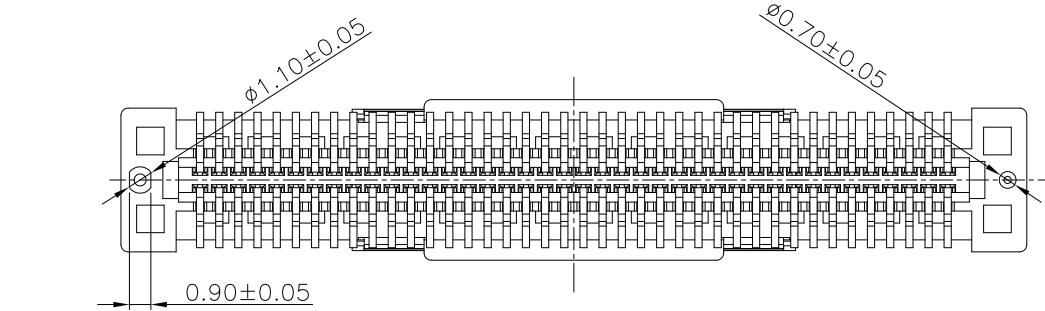
- NOTES: (UNLESS OTHERWISE SPECIFIED)
- DIMENSION SHALL BE INTERPRETED PER ANSI Y14.5M-1994.
 - MATERIAL:
HOUSING MATERIAL: HIGH TEMPERATURE PLASTICS.
CONTACT MATERIAL: COPPER ALLOY,
VACUUM COVER MATERIAL: STAINLESS STEEL.
 - ELECTRICAL SPECIFICATION:
CONTACT RESISTANCE: 50 m ohms Max(Initial).
INSULATION RESISTANCE: 100M ohms Min.
CURRENT RATING: 0.5A.
DIELECTRIC WITHSTANDING VOLTAGE: 500V AC rms./minute
 - MECHANICAL SPECIFICATION:
DURABILITY:30 CYCLES.
INSERTION FORCE: 150gf Max. PER PIN.
WITHDRAWAL FORCE: 25gf Min. PER PIN.
 - PRODUCT NUMBER MATRIX:



B A 4 1-XX X T-X X -X H X
 BTB Series code
 0.80 Pitch
 Plug
 PIN No.
 40~80:40~80PIN
 A0:100PIN ; G0:160PIN
 C0:120PIN ; I0:180PIN
 E0:140PIN ; K0:200PIN
 Height
 A: H=4.60mm
 B: H=5.60mm
 C: H=7.60mm
 Soldering Type
 T:SMT
 0:Without Chamfer
 1:With Chamfer
 Housing Color
 Null:Nature
 B:Black

Packing:
 B:REEL+MPAD
 K:REEL
 Q:HOT SEALING REEL+MPAD
 H:Halogen free
 Plating

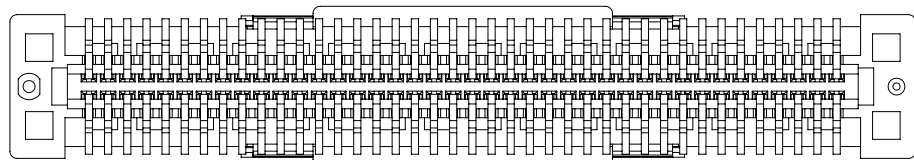
Definition	Code
⊙Matte Tin plated	A
⊙Bright Tin plated	V
⊙Gold plated over all	
flash B	1u" R 3u" C
5u" D	10u" E 15u" F
20u" G	25u" H 30u" J
⊙Duplex plated	
flash K	1u" S 3u" L
5u" M	10u" N 15u" P
20u" Q	25u" T 30u" U
⊙All plated is lead free.	



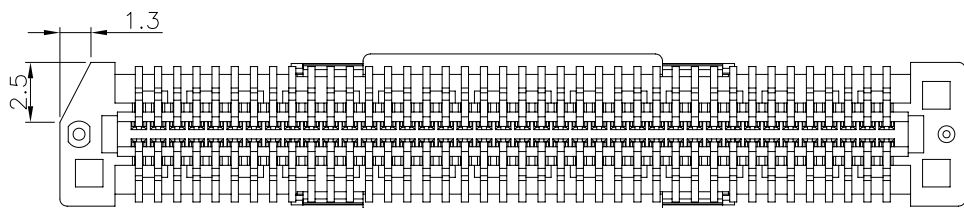
TOLERANCE UNLESS OTHERWISE SPECIFIED				SCALE	ORIGINAL DRAWN:	DATE	DWG. NO.	TITLE	REV.
X.X	±0.30	X.°	±3°	1:1	Xu Peiguang	2018.03.29	600-0000-0232	BA41 CUSTOMER DRAWING	2
X.XX	±0.20	X.X°	±2°	UNIT	Xie Yong	2018.03.29	PARTS NO. (INTENDED USE)		SHEET
X.XXX		X.XX°	±1°	mm	Ady Zhou	2018.03.29	BA41-XXXT-XX-XHX		1/2
				SIZE	APPROVE:	DATE			
				A4					

PRODUCT NUMBER MATRIX: BA41-XX X T-X X -X H X

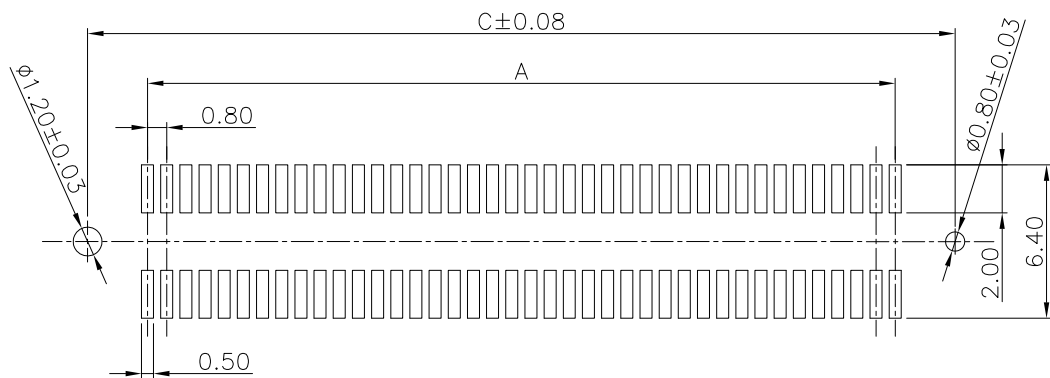
0: Without Chamfer
1: With Chamfer



BA41-XXXX-0X-XHX



BA41-XXXX-1X-XHX



RECOMMENDED PCB LAYOUT

TOLERANCE ±0.05

OLD AND PART NO. COMPARISION	
OLD	NEW
AB41-80NB-1-001	BA41-80CT-1-NHB
ZIW-80S6-N-1-B	BA41-80CT-0-NHB
AB41-80NB-0-001	
AB41-80NB-H-001	
ZIW-40S8-VN-1-B	BA41-40BT-0-NHB
ZIW-40S8-N-1-B	
AB41-40NB-H-003	
ZIW-60S8-VN-1-B	BA41-60BT-0-NHB
AB41-60NB-0-003	
AB41-60NB-H-003	
ZIW-A0S8-VN-1-B	BA41-A0BT-0-NHB
AB41-A0NB-0-003	
AB41-A0NB-H-003	
ZIW-80S8-N-1-B-S01	BA41-80BT-1-NHB
AB41-80NB-H-004	BA41-80AT-1-NHB
AB41-80NB-1-004	

CKT	DIM.A	DIM.B	DIM.C	DIM.D	DIM.E	DIM.F	DIM.G
40	15.20	21.80	20.20	20.20	16.90	18.90	0.10
50	19.20	25.80	24.20	24.20	20.90	22.90	
60	23.20	29.80	28.20	28.20	24.90	26.90	
80	31.20	37.80	36.20	36.20	32.90	34.90	0.12
100	39.20	45.80	44.20	44.20	40.90	42.90	
120	47.20	53.80	52.20	52.20	48.90	50.90	
140	55.20	61.80	60.20	60.20	56.90	58.90	
160	63.20	69.80	68.20	68.20	64.90	66.90	
180	71.20	77.80	76.20	76.20	72.90	74.90	
200	79.20	85.80	84.20	84.20	80.90	82.90	



ShenZhen ShenTai weixiang Electronics Co., Ltd.

TOLERANCE UNLESS OTHERWISE SPECIFIED

X.X	±0.30	X.°	±3°
X.XX	±0.20	X.X°	±2°
X.XXX		X.XX°	±1°

SCALE	1:1
UNIT	mm
SIZE	A4

ORIGINAL DRAWN: Xu Peiguang
CHECK: Xie Yong
APPROVE: Ady Zhou

DATE 2018.03.29
DATE 2018.03.29
DATE 2018.03.29

DWG. NO. 600-0000-0232
PARTS NO. (INTENDED USE) BA41-XXXX-XX-XHX

TITLE
BA41
CUSTOMER DRAWING

REV. 2
SHEET 2/2

X-ON Electronics

Largest Supplier of Electrical and Electronic Components

Click to view similar products for [Headers & Wire Housings](#) category:

Click to view products by [STWXE](#) manufacturer:

Other Similar products are found below :

[57102-F02-18ULF](#) [58102-G61-06LF](#) [0009485154](#) [009176003701906](#) [0050291907](#) [02.125.8002.8](#) [609-3404](#) [61062-3](#) [622-0430](#) [622-3653LF](#)
[63453-116](#) [636-1030](#) [636-1427](#) [636-3427](#) [636-4007](#) [641938-9](#) [644827-2](#) [65495-038](#) [65692-001LF](#) [65781-018](#) [65781-047](#) [65817-010LF](#)
[65817-015LF](#) [66207-023LF](#) [67016-026LF](#) [67095-007LF](#) [68631-112](#) [68645-018](#) [68648-049](#) [699319-000](#) [70.362.1628.0](#) [70-4210](#) [70-4226B](#)
[70-4853B](#) [707-5020](#) [707-5028](#) [71.350.2428.0](#) [71961-016LF](#) [733-134](#) [754199-000](#) [760-3052](#) [787-8014-00](#) [FCN-367T-T012/H](#) [80.063.4001.1](#)
[800-90-010-10-002000](#) [801-43-002-10-013000](#) [801-43-006-10-002000](#) [803-41-018-10-001000](#) [803-43-014-20-001000](#) [803-43-024-10-001000](#)