

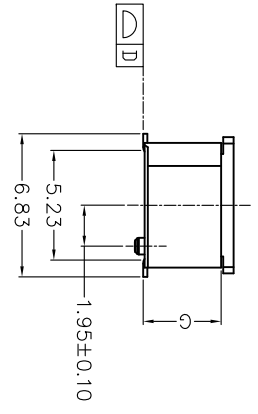
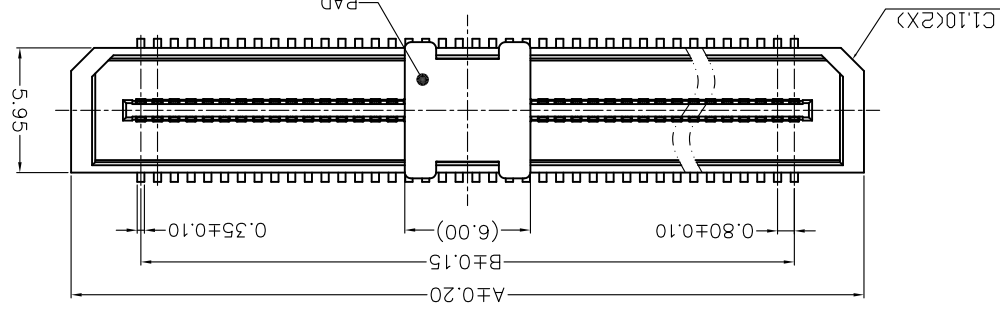
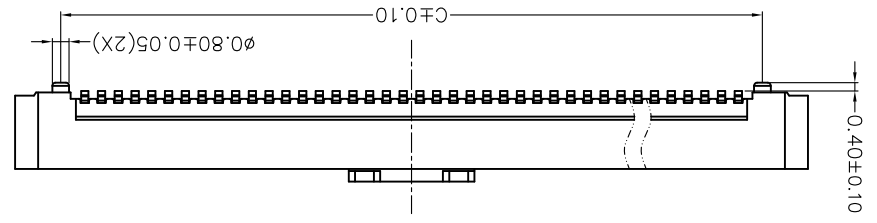
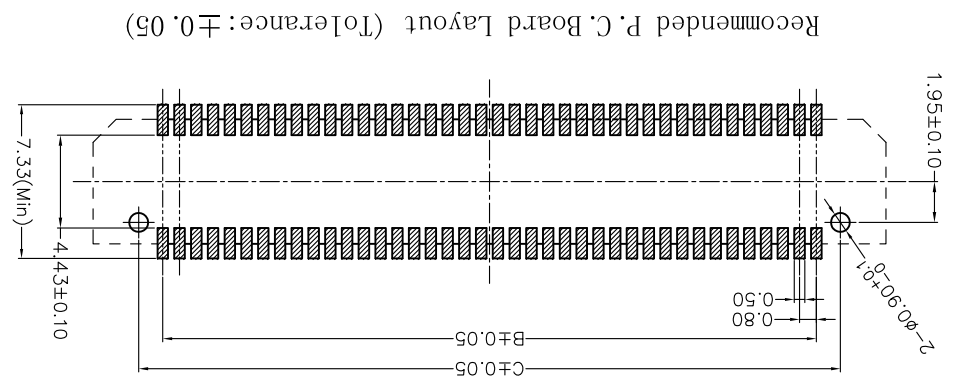
X.XXX	±0.10	X.XX°	±1°
X.XX	±0.20	X.X°	±2°
X.X	±0.30	X.°	±3°

TOLERANCE UNLESS OTHERWISE SPECIFIED

SCALE	1:1
UNIT	mm
SIZE	A4

DATE	2017.06.20	ORIGINAL DRAWN:	Xie Yong
DATE	2017.06.20	CHECK:	Yangshong
DATE	2017.06.20	APPROVE:	Ady Zhou

REV.	2	TITLE	CUSTOMER DRAWING
SHEET	1/3	PARTS NO. (INTENDED USE)	BA41-XXXXT-9W-XHR
		DWG. NO.	600-0000-0189



No. of Contacts	A	B	C	D
16	10.05	5.6	7.9	0.10
20	11.65	7.2	9.5	0.10
24	13.25	8.8	11.1	0.10
26	14.05	9.6	11.9	0.10
30	15.65	11.2	13.5	0.10
40	19.65	15.2	17.5	0.10
50	25.85	19.2	21.5	0.10
60	29.85	23.2	25.5	0.15
80	37.85	31.2	33.5	0.15
100	45.85	39.2	41.5	0.15

Dimensions

Code	Definition
A	Matte Tin plated
V	Bright Tin plated
© Gold plated	
Flash B	Flu" R
5u" D	10u" E
20u" G	25u" H
© Duplex plated	
Flash K	Flu" S
5u" M	10u" N
20u" Q	25u" T
© All plated is lead free.	

Specifications

Current Rating: 0.5amp

Voltage Rating: 60V AC/DC

Insulation Resistance: 1000Ω/Min.

Dielectric Withstanding: 250V AC/DC

Operating Temperature: -55°C to +85°C

Contact Material: Copper Alloy

Insulation Material: Polyester, UL 94V-0

All materials should comply with the "RoHS" requirement

Product Number Matrix:

BA41-XX X T-9W-X H R

Height Options:

A=2.72mm Height

B=3.72mm Height

C=4.72mm Height

T=SMT

W=White

B=Black

PTN/No.

80=80Pin

Packing M:TRAY+PAD

R:REEL+PAD

Null:Thermoplastic

H:Halogen Free

F:High Temperature

Thermoplastic

Contact Plating

Definition

Code

© Matte Tin plated

A

© Bright Tin plated

V

© Gold plated

Flash B Flu" R

5u" D 10u" E

20u" G 25u" H

© Duplex plated

Flash K Flu" S

5u" M 10u" N

20u" Q 25u" T

© All plated is lead free.

REV.	ECN Number	Description	Drawn
2	E17060044	新擴規格料号	2017.06.20
1	CS17010033	RELEASE	2016.12.10

X. XXX	±1°
X. XX	±2°
X. X	±3°

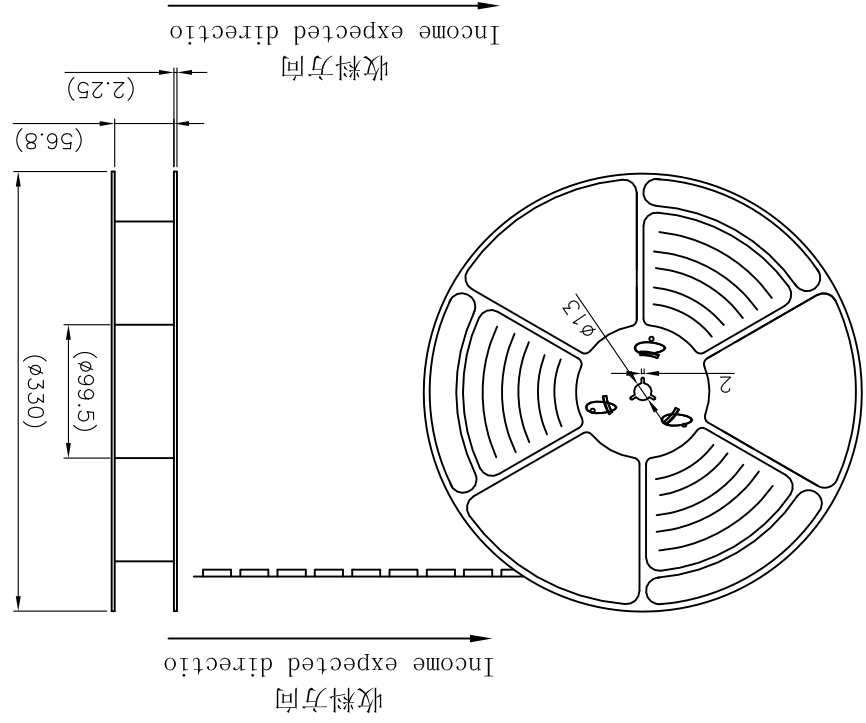
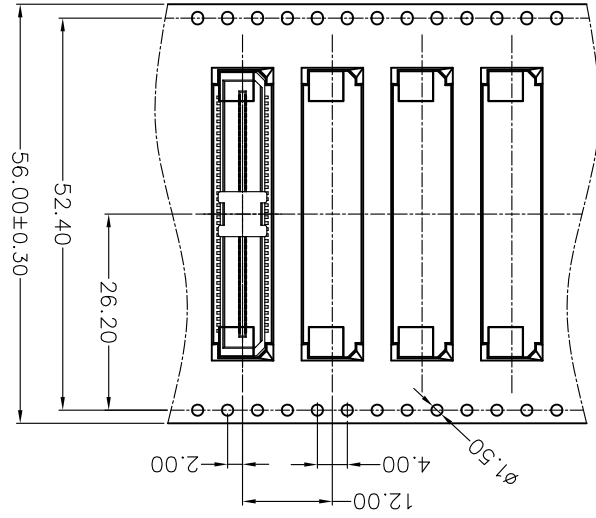
TOLERANCE UNLESS OTHERWISE SPECIFIED

SCALE	1:1
UNIT	mm
SIZE	A4

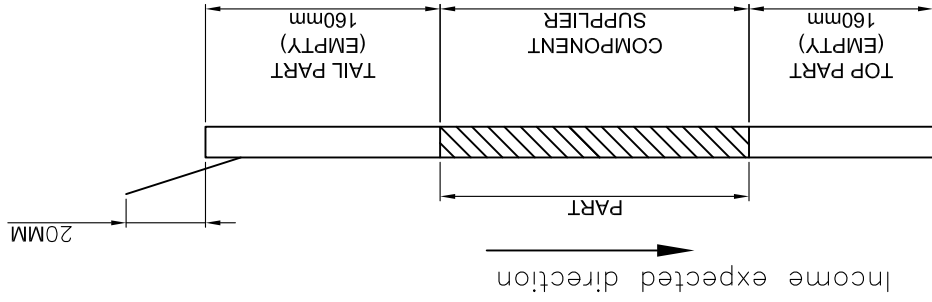
DATE	2017.06.20	ORIGINAL DRAWN:	Xie Yong
DATE	2017.06.20	CHECK:	Yanghong
DATE	2017.06.20	APPROVE:	Ady Zhou

DWG. NO.	600-0000-0189
PARTS NO. (INTENDED USE)	BA41-XXXXT-9W-XHR

REV.	2
SHEET	2/3

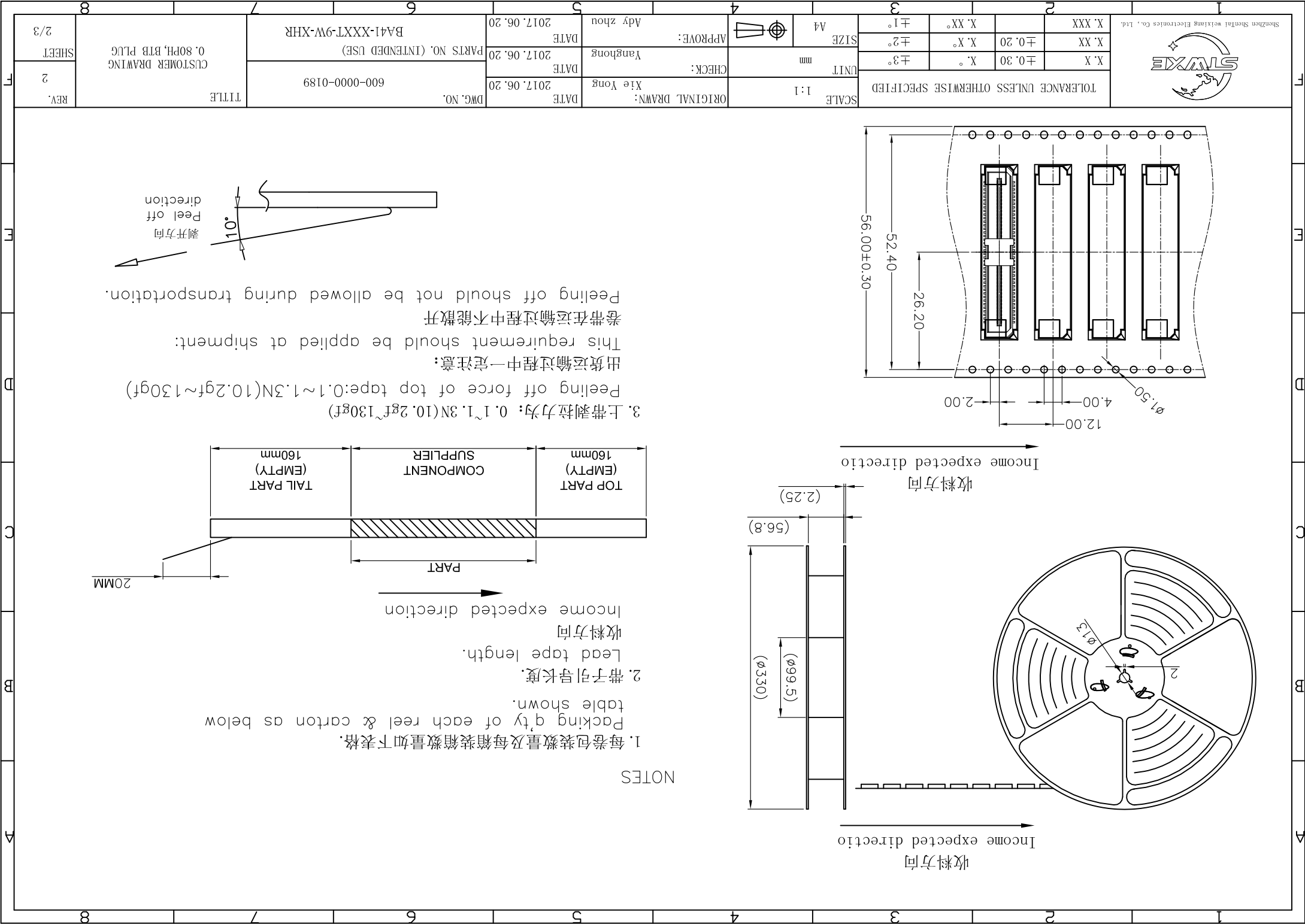


3. 上带剥拉力为: 0.1~1.3N(10.2gf~130gf)  
 Peeling off force of top tape: 0.1~1.3N(10.2gf~130gf)  
 出货运输过程中一定要注意:  
 This requirement should be applied at shipment:  
 卷带在运输过程中不能散开  
 Peeling off should not be allowed during transportation.  
 剥开方向  
 Peel off direction



1. 每卷包装数量及每箱装箱数量如下表格。  
 Packing qty of each reel & carton as below table shown.  
 2. 带子引导长度。  
 Lead tape length.  
 收料方向  
 Income expected direction

NOTES



X. XXX	±1°		
X. XX	±2°	±0.20	X. X°
X. X	±3°	±0.30	X. °

TOLERANCE UNLESS OTHERWISE SPECIFIED

SCALE	1:1
UNIT	mm
SIZE	A4

APPROVE:	Ady Zhou
CHECK:	Yanghong
ORIGINAL DRAWN:	Xie Yong

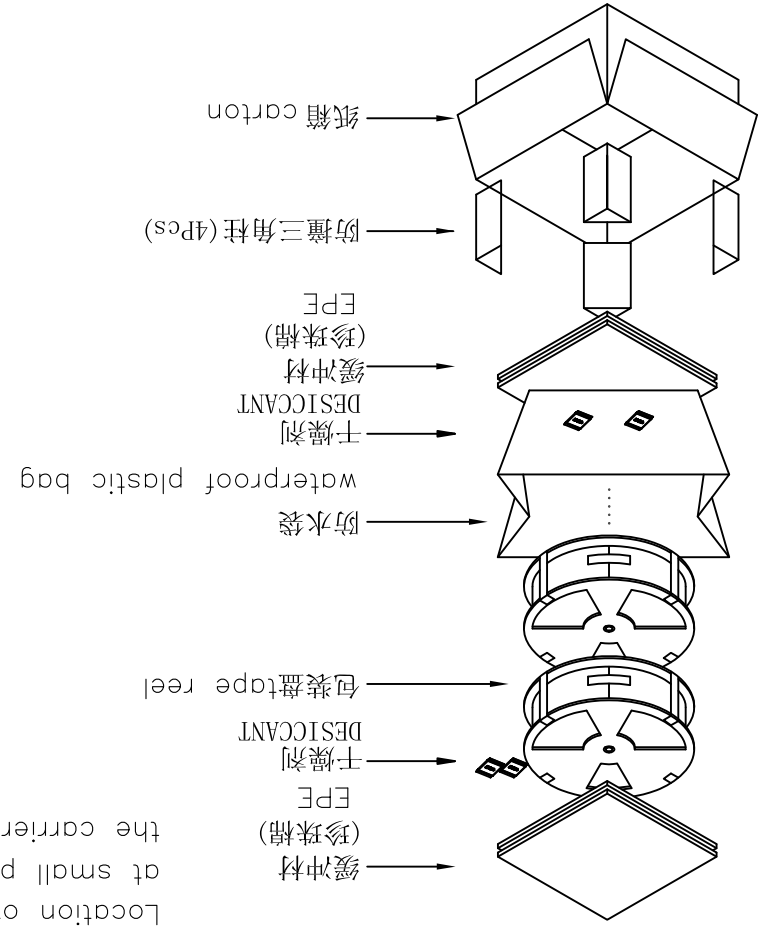
DATE	2017.06.20
DATE	2017.06.20
DATE	2017.06.20

DWG. NO.	600-0000-0189
PARTS NO. (INTENDED USE)	BA41-XXXXT-9W-XHR

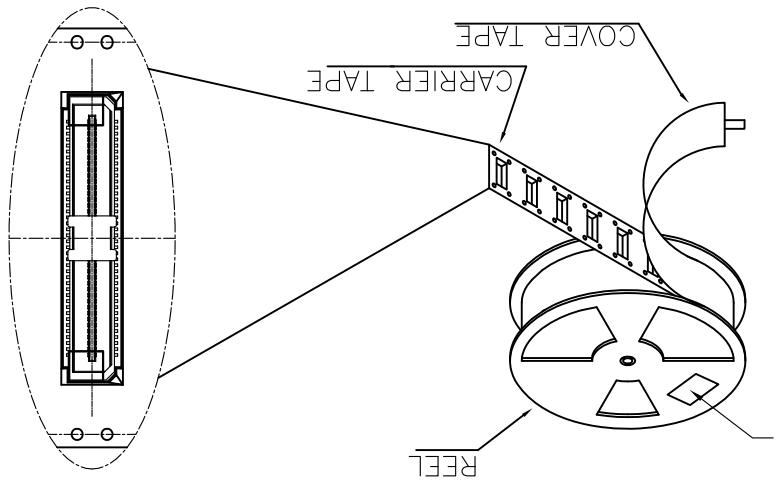
TITLE	CUSTOMER DRAWING 0.80PH, BTB PLUG
REV.	2
SHEET	3/3

8
---

(PRODUCT No.)	BA41-XXXXT-9W-XHR	PCS/REEL	1000	REELS/CARTON	4	PCS/CARTON	4000
产品料号		包装数量 (PACKING CAPACITY)					



1. 每卷包装数量及每箱装箱数量如下表格。  
Packing qty of each reel & carton as below table shown.
2. 每个PE防水袋放入产品后，上下各放2包干燥剂  
Each PE tape into product，the top and bottom of each put 2 bags of desiccant.
3. 以上胶带覆盖下包装带经包装机包装。  
Use cover tape to cover and seal up.
4. 每个纸箱放2个珍珠棉  
Every carton use 2pcs EPE.
5. 将装满产品的卷盘放入纸箱并以胶带封口。  
Put reels in the carton and use adhesive tape to seal up.



标签黏贴处 (朝卷装包材的小定位孔一侧)  
Location of label sticking (label at small positioning hole of the carrier tape side).

NOTE:

## X-ON Electronics

Largest Supplier of Electrical and Electronic Components

*Click to view similar products for [Board to Board & Mezzanine Connectors](#) category:*

*Click to view products by [STWXE](#) manufacturer:*

Other Similar products are found below :

[10135583-642402LF](#) [89885-310LF](#) [589158040000018](#) [6-1393048-0](#) [68683-613](#) [MDF7-12DP-2.54DSA](#) [MDF7-18P-2.54DSA\(01\)](#) [MDF7-20DP-2.54DSA](#) [MDF7-26D-2.54DSA\(55\)](#) [MDF7-3P-2.54DSA\(01\)](#) [MDF7B-20P-2.54DSA\(01\)](#) [MDF7B-3P-2.54DSA\(55\)](#) [MDF7C-11P-2.54DSA\(55\)](#) [MDF7C-18P-2.54DSA\(55\)](#) [MDF7C-5P-2.54DSA\(01\)](#) [MDF7P-5P-2.54DSA\(55\)](#) [75234-0516](#) [FCN-230C068-11](#) [FCN-268F012-G/BD](#) [FCN-268F036-G/BD](#) [FCN-268M012-G/0D](#) [FCN-268M024-G/1D](#) [FCN-360C008-C](#) [FCN-360C040-C](#) [FCN-723J004/1](#) [MIS-048-01-F-D-DP-K](#) [832-10-034-10-001000](#) [93696-325LF](#) [11828-1FA](#) [AXK630345P](#) [18097-0013](#) [ICA-328STT](#) [2007042-2](#) [304400-2](#) [FCN-214Q030-G/0](#) [FCN-215Q040-G/0](#) [FCN-230C068-ESA](#) [FCN-234P048-G/0](#) [FCN-235D050-G/C](#) [FCN-360A3](#) [FCN-360C040-B](#) [210-93-314-41-105000](#) [2-22603-0](#) [379-064-521-202](#) [MDF7-12P-2.54DSA\(01\)](#) [MDF7-16P-2.54DS\(56\)](#) [MDF7-40DP-2.54DSA\(55\)](#) [MDF7-8P-2.54DSA\(55\)](#) [MDF7B-16P-2.54DSA\(55\)](#) [AXG720047](#)